



US00D860767S

(12) **United States Design Patent**
Hall

(10) **Patent No.:** **US D860,767 S**

(45) **Date of Patent:** **** Sep. 24, 2019**

- (54) **DUAL COAT HOOK**
- (71) Applicant: **KINGSWAY ENTERPRISES (UK) LIMITED**, Swanley, Kent (GB)
- (72) Inventor: **Benjamin Hall**, Swanley (GB)
- (73) Assignee: **Kingsway Enterprises (UK) Limited**, Kent (GB)
- (**) Term: **15 Years**
- (21) Appl. No.: **29/647,284**
- (22) Filed: **May 11, 2018**
- (51) **LOC (12) Cl.** **08-05**
- (52) **U.S. Cl.**
USPC **D8/367; D8/372**
- (58) **Field of Classification Search**
USPC D8/367, 356, 354, 349, 18, 105, 368,
D8/397; D11/208, 218; 248/341;
224/217; D6/323
CPC A45F 5/021; A45F 5/102; A44B 13/0029;
F16B 45/00; F16M 13/02; A45C 13/03
See application file for complete search history.

D600,538 S *	9/2009	Thompson	D8/372
D666,444 S *	9/2012	Tharp	D6/567
D666,445 S *	9/2012	Tharp	D6/567
D666,473 S *	9/2012	Despotellis	D8/354
D666,474 S *	9/2012	Despotellis	D8/354
D668,089 S *	10/2012	Afghan	A46B 17/02 D6/534
D694,097 S *	11/2013	Hammer	D8/372
D697,387 S *	1/2014	Starck	D8/367
D700,827 S *	3/2014	Starck	D8/367
D756,206 S *	5/2016	Pan	D8/372
D759,470 S *	6/2016	Pan	D8/372
D773,291 S *	12/2016	Green	D8/349
D790,328 S *	6/2017	Hall	D6/323
2003/0085331 A1 *	5/2003	Weck	A47G 1/20 248/475.1
2007/0295879 A1 *	12/2007	Wong	A47G 1/20 248/475.1
2010/0213333 A1 *	8/2010	Mejia	A47G 1/20 248/220.21

* cited by examiner

Primary Examiner — Cynthia R Underwood
(74) *Attorney, Agent, or Firm* — Erise IP, P.A.

(57) **CLAIM**

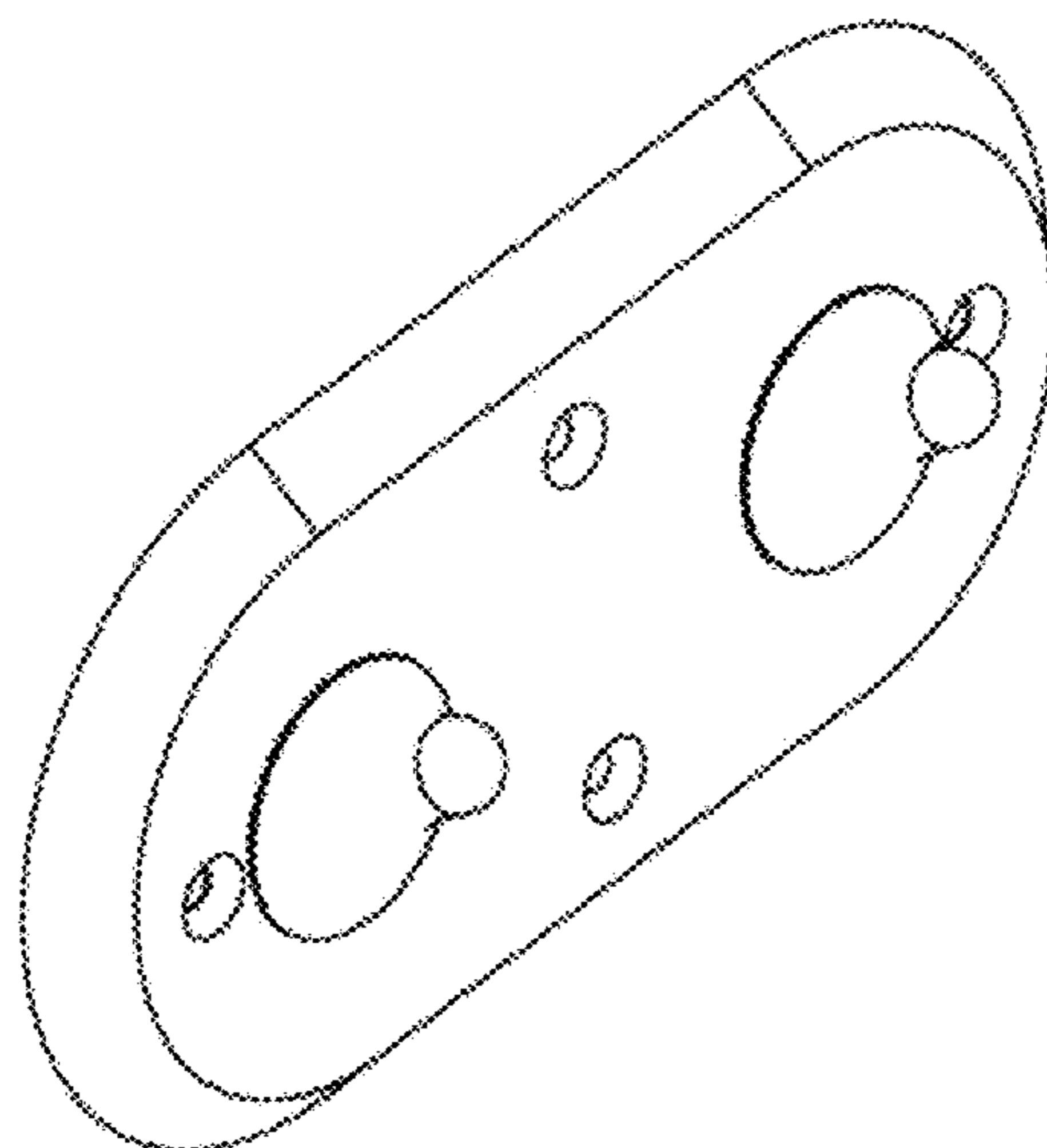
The ornamental design for a dual coat hook, as shown and described.

DESCRIPTION

FIG. 1 is a perspective view of a dual coat hook embodying the design;
FIG. 2 is a front view thereof;
FIG. 3 is a bottom view thereof;
FIG. 4 is a top view thereof;
FIG. 5 is a left side view thereof; and,
FIG. 6 is a right side view thereof.

1 Claim, 6 Drawing Sheets

- (56) **References Cited**
U.S. PATENT DOCUMENTS
942,009 A * 11/1909 Mueller A62B 1/14
182/193
4,070,735 A * 1/1978 Canaday A47K 3/38
160/349.2
6,095,465 A * 8/2000 Weck A47G 1/20
248/205.3
D514,142 S * 1/2006 Olsen D15/139
D547,584 S * 7/2007 Little D6/569
D559,091 S * 1/2008 Skorka D8/367



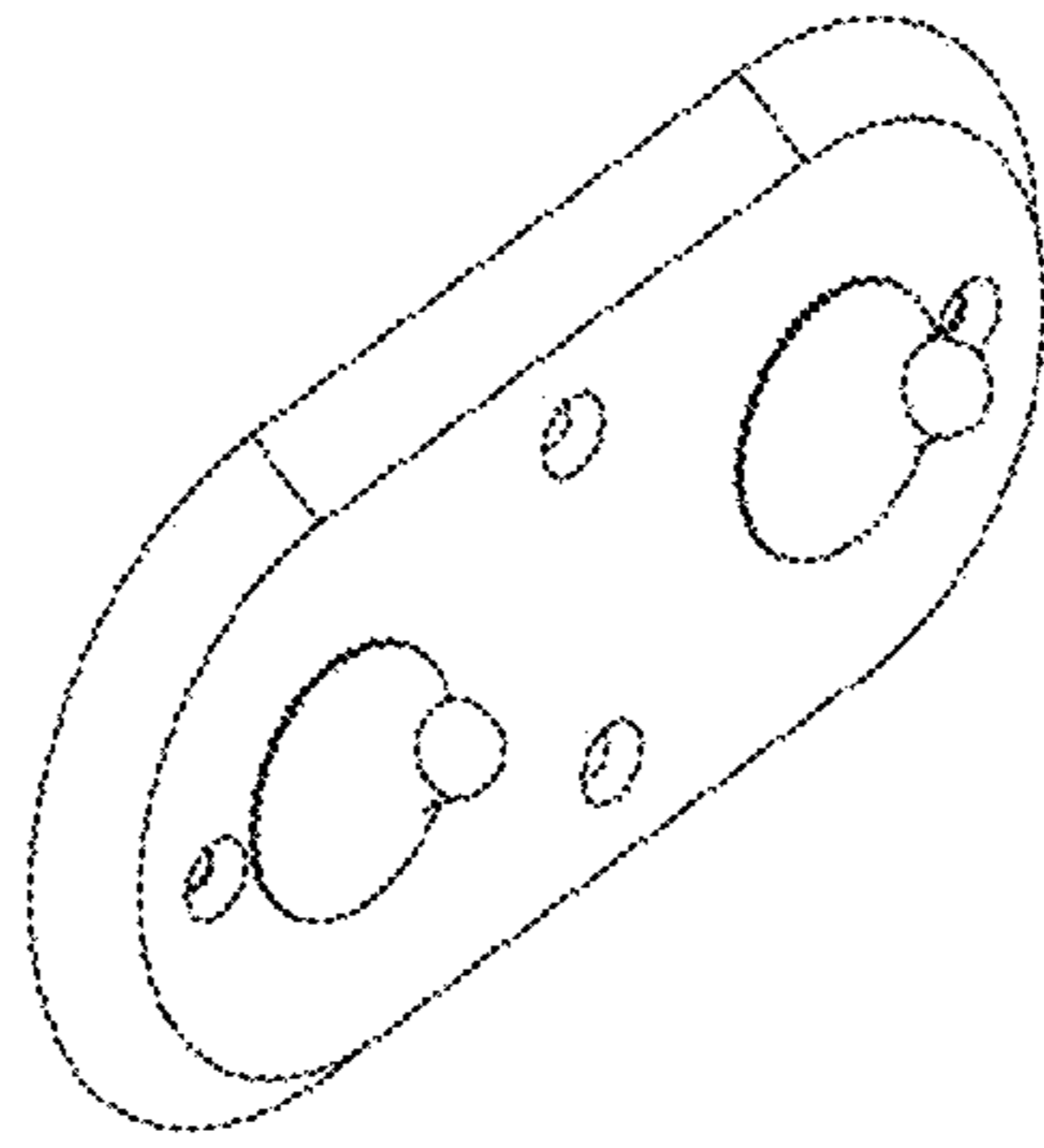


FIG. 1

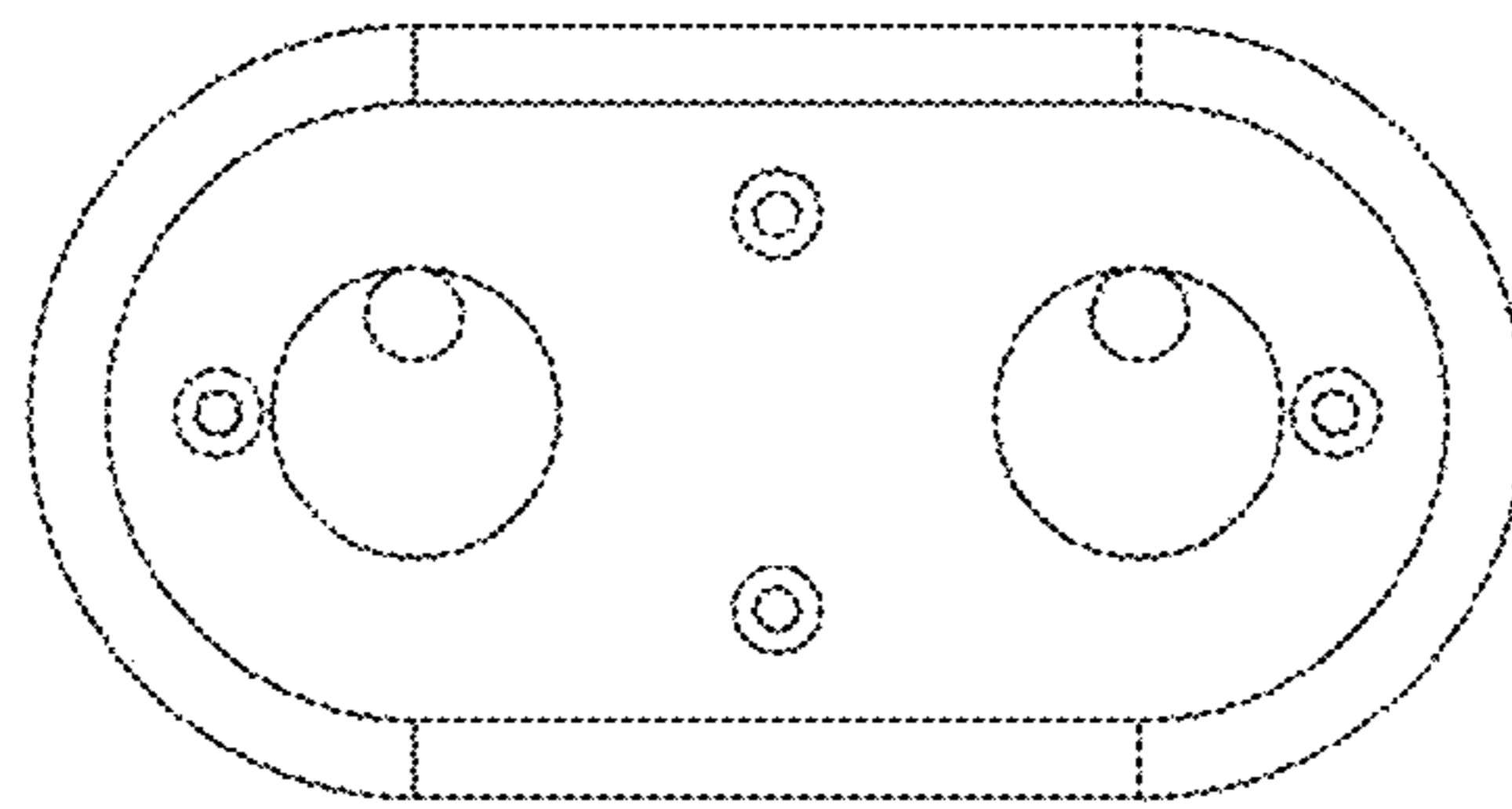


FIG. 2

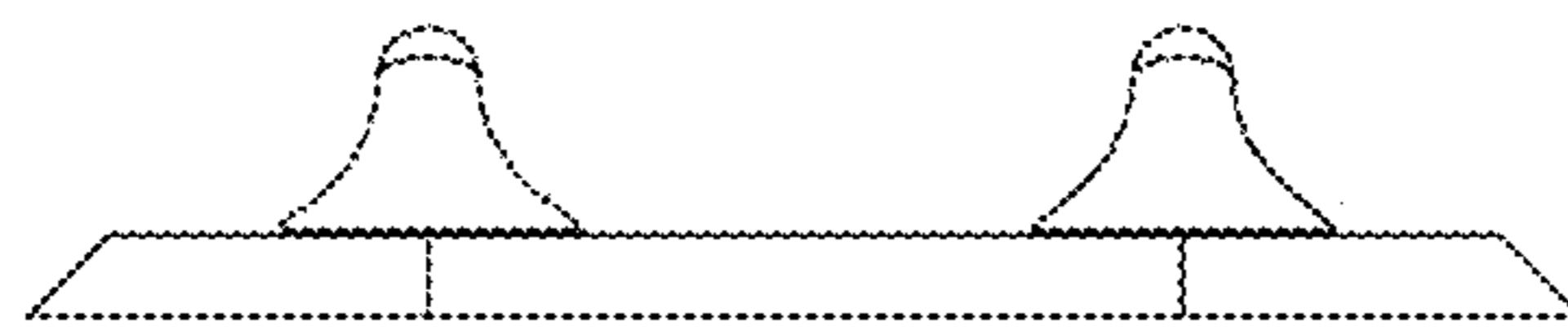


FIG. 3

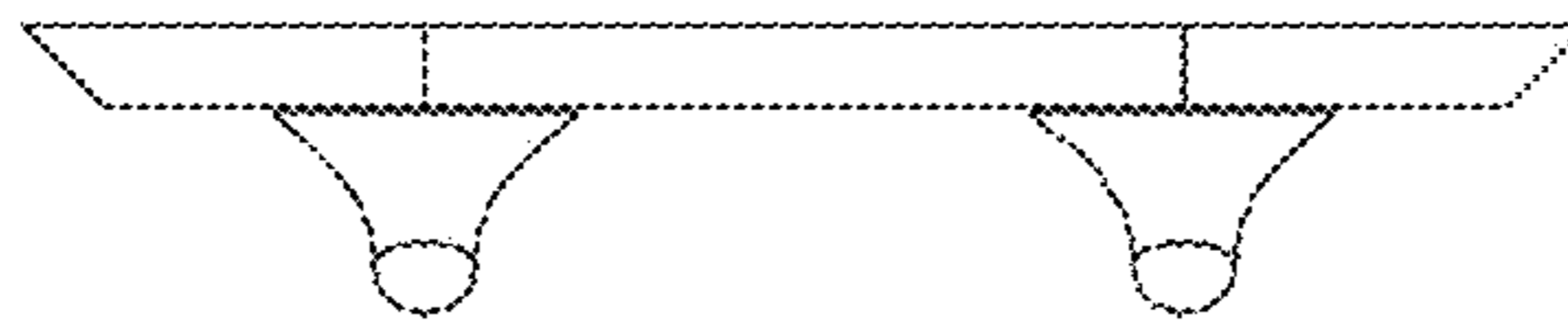


FIG. 4

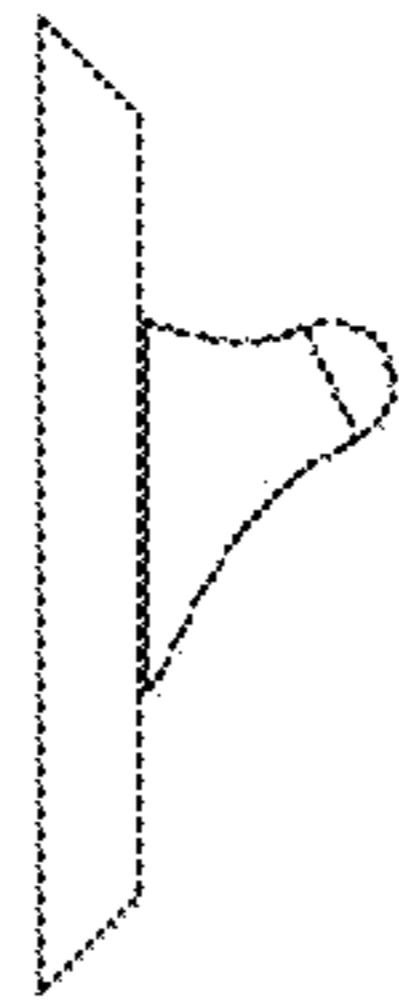


FIG. 5

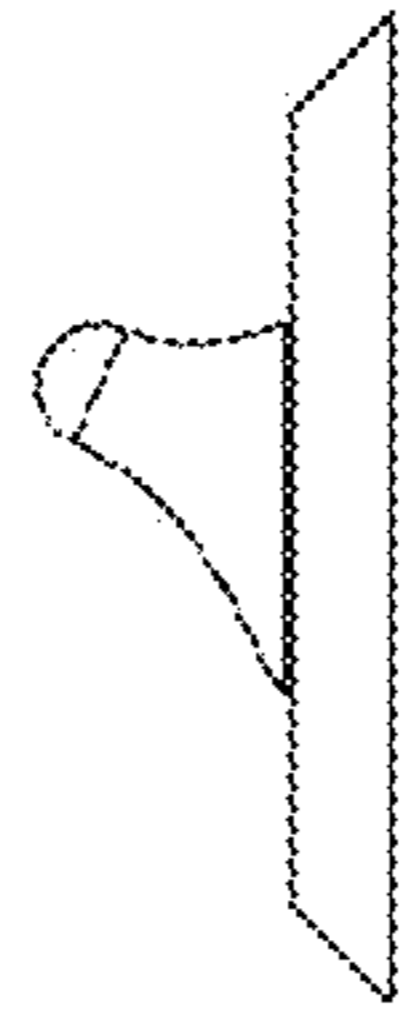


FIG. 6