



US00D860766S

(12) **United States Design Patent**
Brown

(10) **Patent No.:** **US D860,766 S**

(45) **Date of Patent:** **** Sep. 24, 2019**

- (54) **PULLEY**
- (71) Applicant: **International Safety Components Ltd,**
Bangor, Gwynedd (GB)
- (72) Inventor: **Kevin Brown,** Gwynedd (GB)
- (73) Assignee: **INTERNATIONAL SAFETY**
COMPONENTS LTD, Bangor,
Gwynedd (GB)
- (**) Term: **15 Years**
- (21) Appl. No.: **29/680,393**
- (22) Filed: **Feb. 15, 2019**

6,092,791 A *	7/2000	Kingery	254/371
D431,449 S *	10/2000	Mihailovic	D8/360
7,152,847 B2 *	12/2006	Smith	B66D 3/04 254/409
D565,936 S *	4/2008	Spadotto	D8/358
D572,099 S *	7/2008	Fontaine et al.	D8/44
D626,812 S *	11/2010	Macsay et al.	D8/60
D650,260 S *	12/2011	Petzl	D8/356
D658,487 S *	5/2012	Chih	D8/360
D666,475 S *	9/2012	Gaiti	D8/358
D687,700 S *	8/2013	Petzl	D8/360
D836,422 S *	12/2018	Gobbi	D8/356
2006/0096067 A1 *	5/2006	Fontaine et al.	24/130
2009/0114893 A1 *	5/2009	Lange	254/390
2012/0241700 A1 *	9/2012	Mauthner	A62B 1/14 254/391

* cited by examiner

Related U.S. Application Data

- (63) Continuation of application No. 16/261,858, filed on
Jan. 30, 2019.
- (51) **LOC (12) Cl.** **08-05**
- (52) **U.S. Cl.**
USPC **D8/360**
- (58) **Field of Classification Search**
USPC D8/356, 354, 349, 360; D30/139;
D11/218; 254/390; 24/129 R
See application file for complete search history.

Primary Examiner — Cynthia R Underwood

(74) *Attorney, Agent, or Firm* — King & Schickli, PLLC

(57) **CLAIM**

The ornamental design for a pulley, as shown and described.

DESCRIPTION

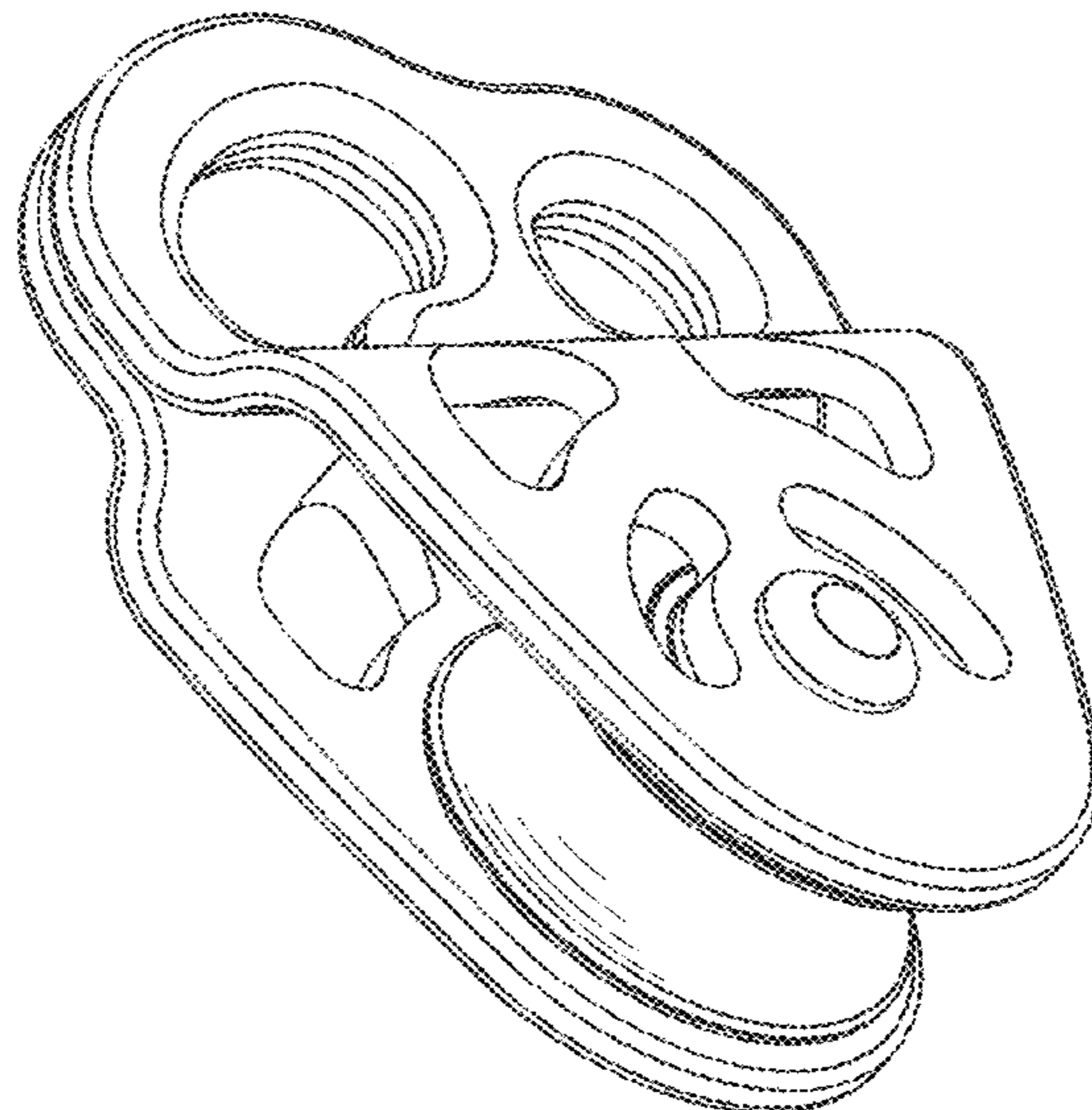
FIG. 1 is a front perspective view of my new design;
 FIG. 2 is a rear perspective view thereof;
 FIG. 3 is a front view thereof;
 FIG. 4 is a rear view thereof;
 FIG. 5 is a left side view thereof, the right side view being
 a mirror image thereof;
 FIG. 6 is bottom view thereof; and,
 FIG. 7 is a top view thereof.

(56) **References Cited**

U.S. PATENT DOCUMENTS

5,368,281 A *	11/1994	Skyba	254/391
5,435,044 A *	7/1995	Ida	24/136 R
D362,614 S *	9/1995	Kingery	D8/360

1 Claim, 7 Drawing Sheets



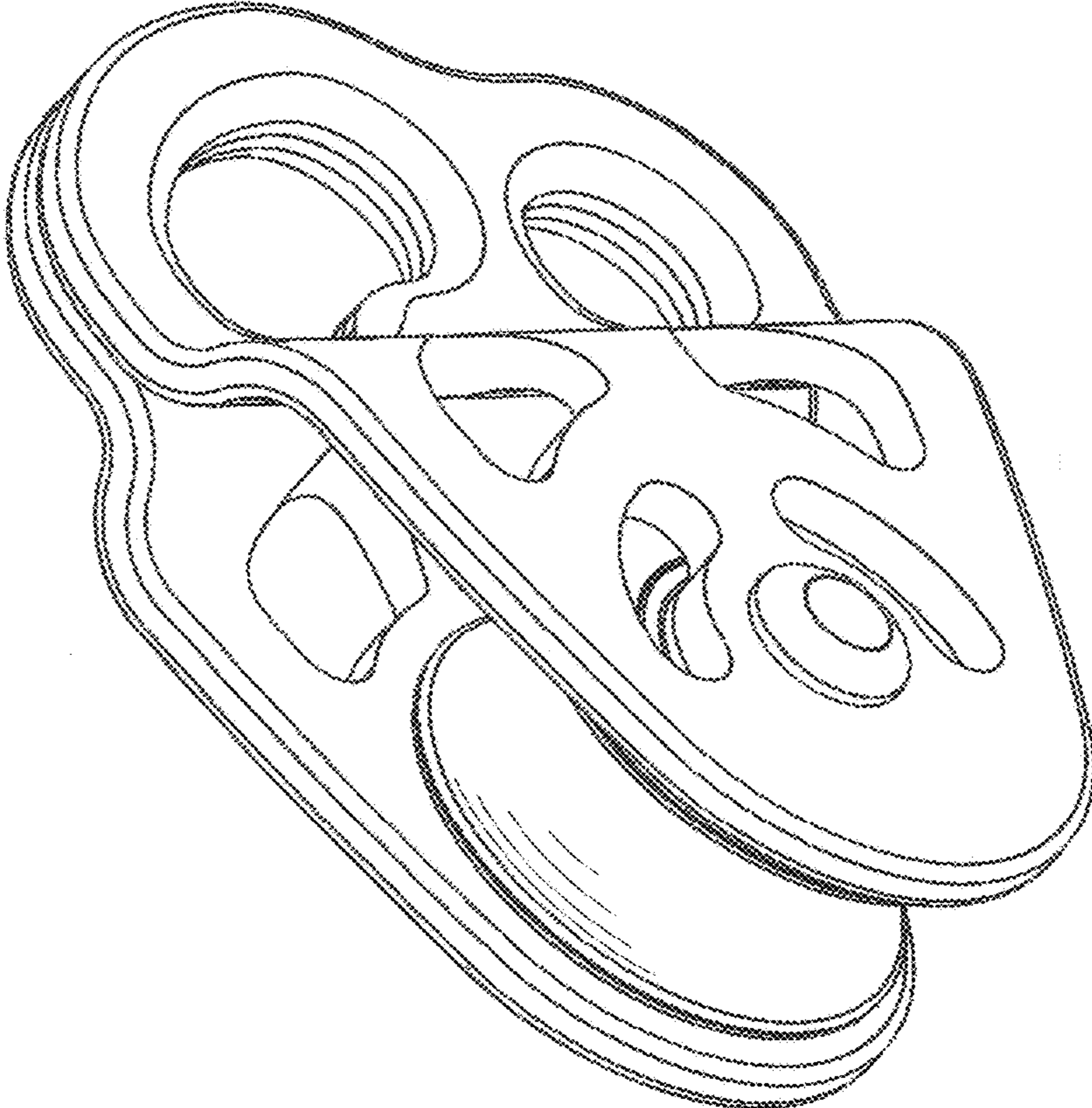


FIG. 1

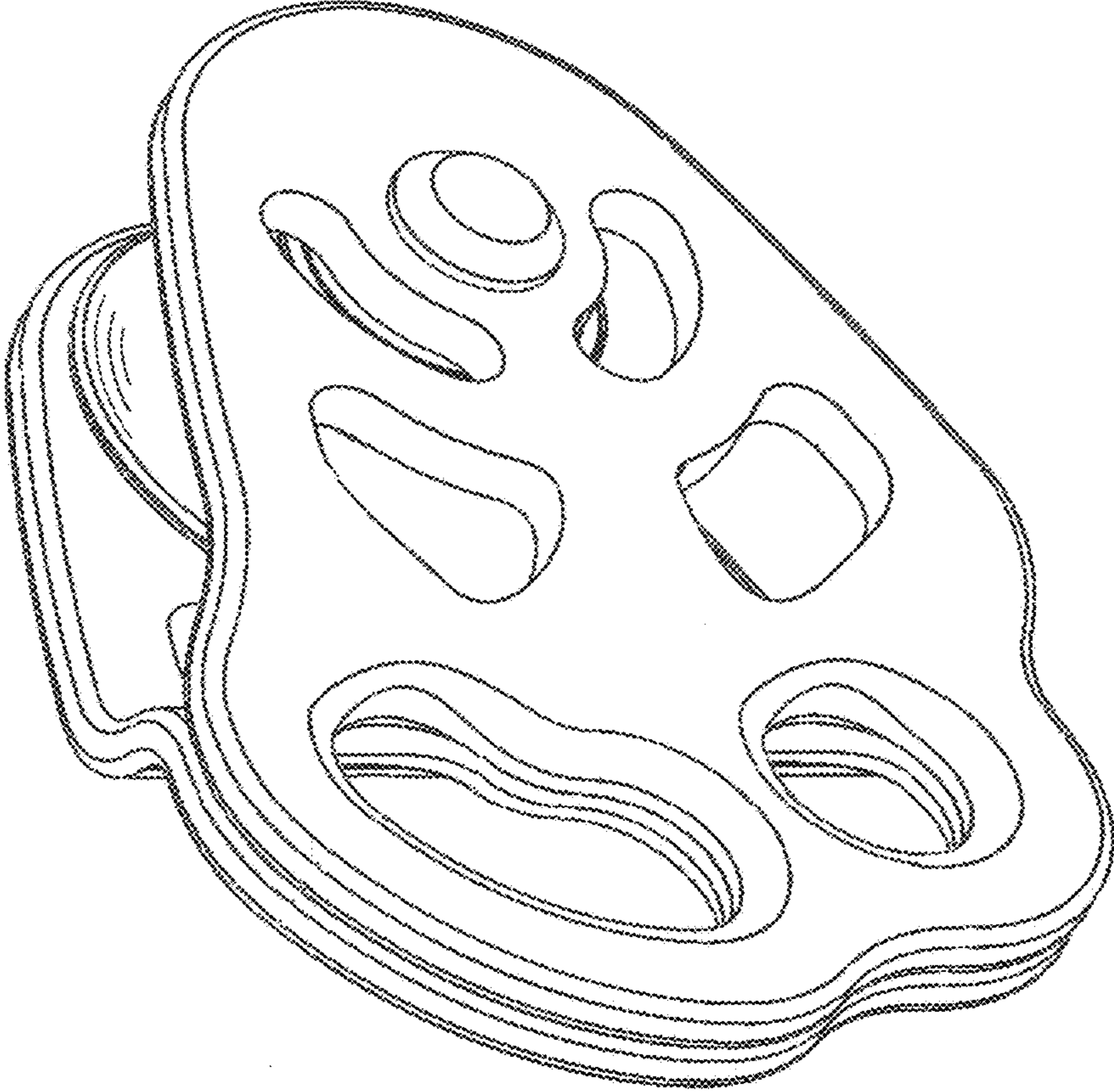


FIG. 2

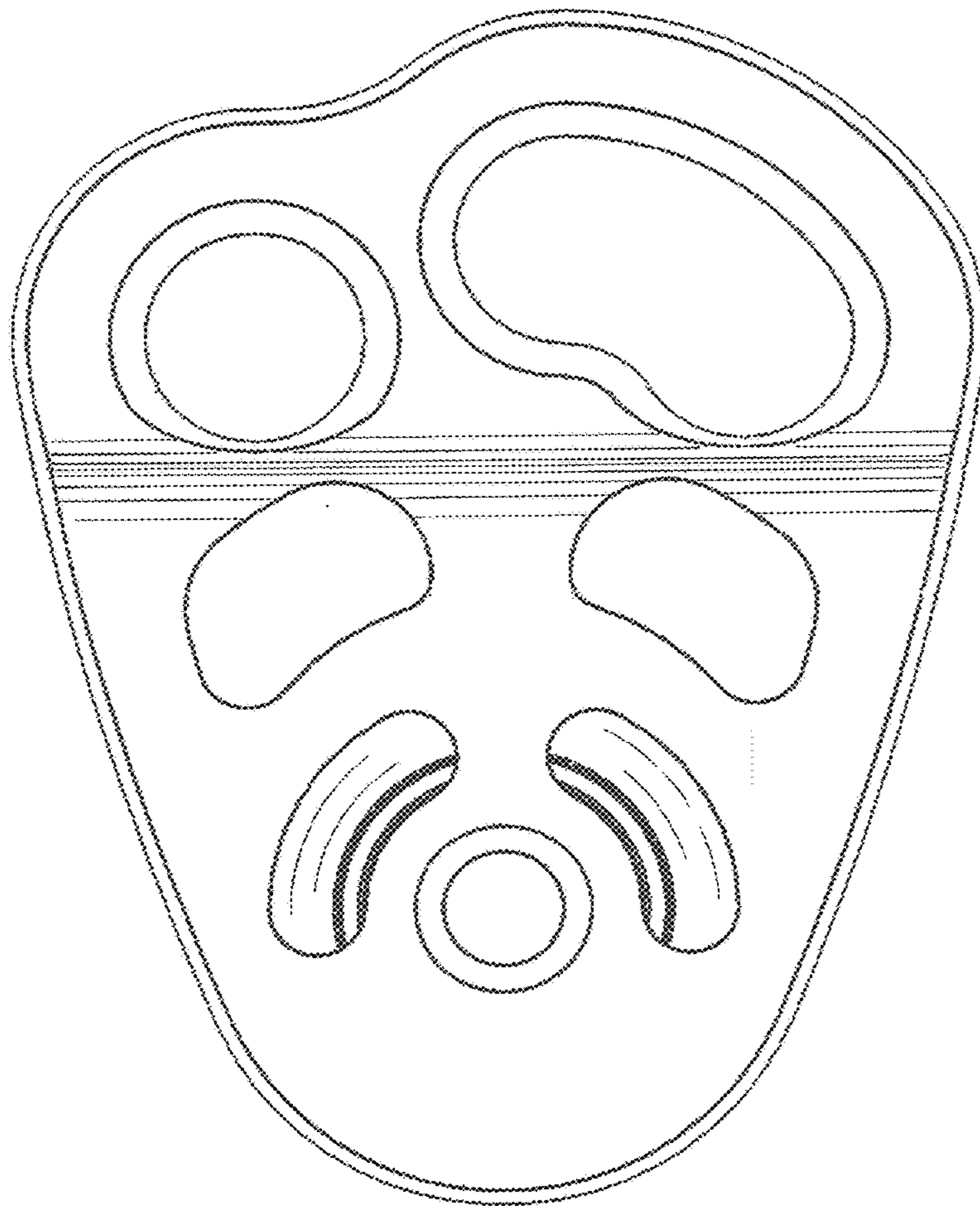


FIG. 3

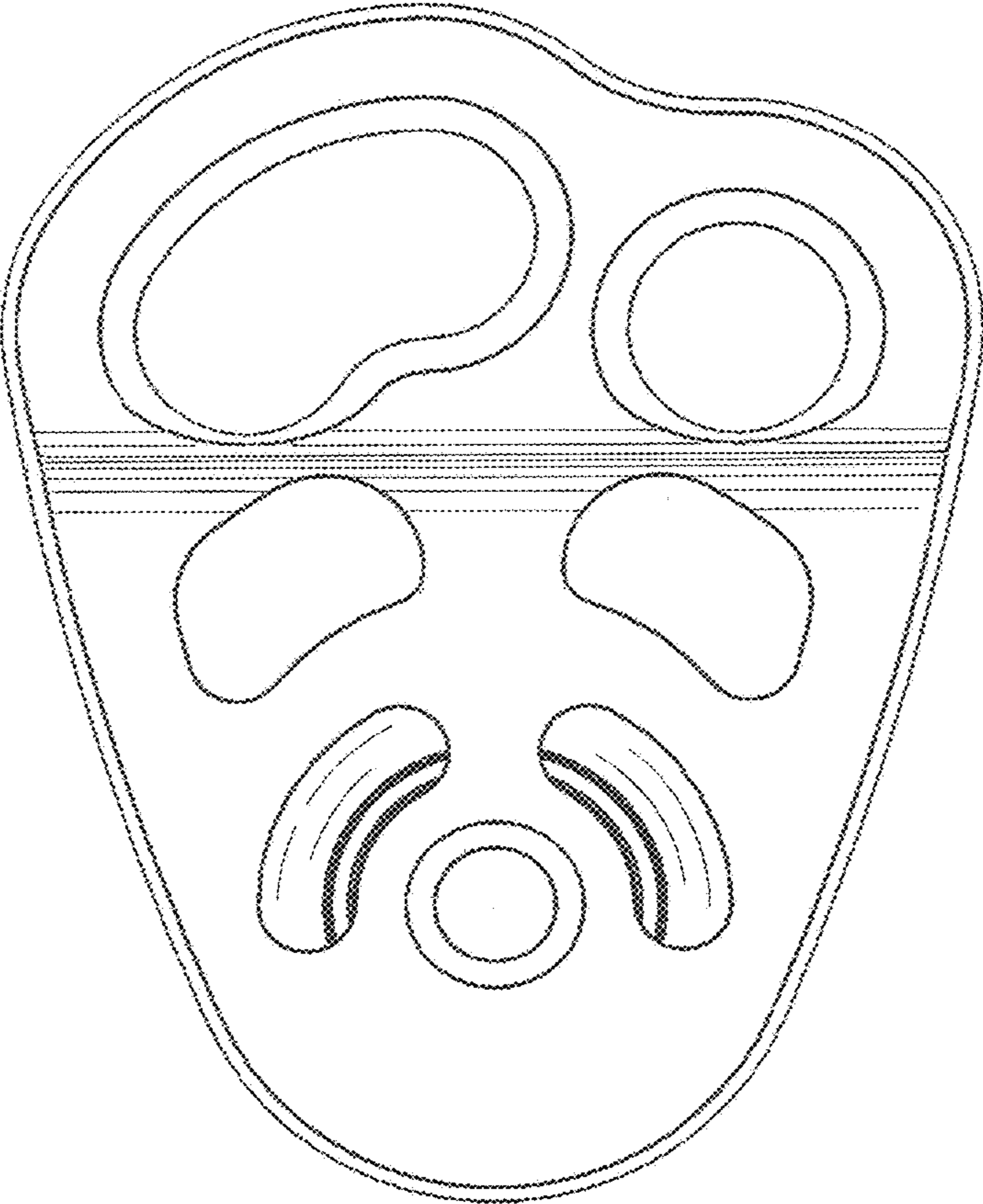


FIG. 4

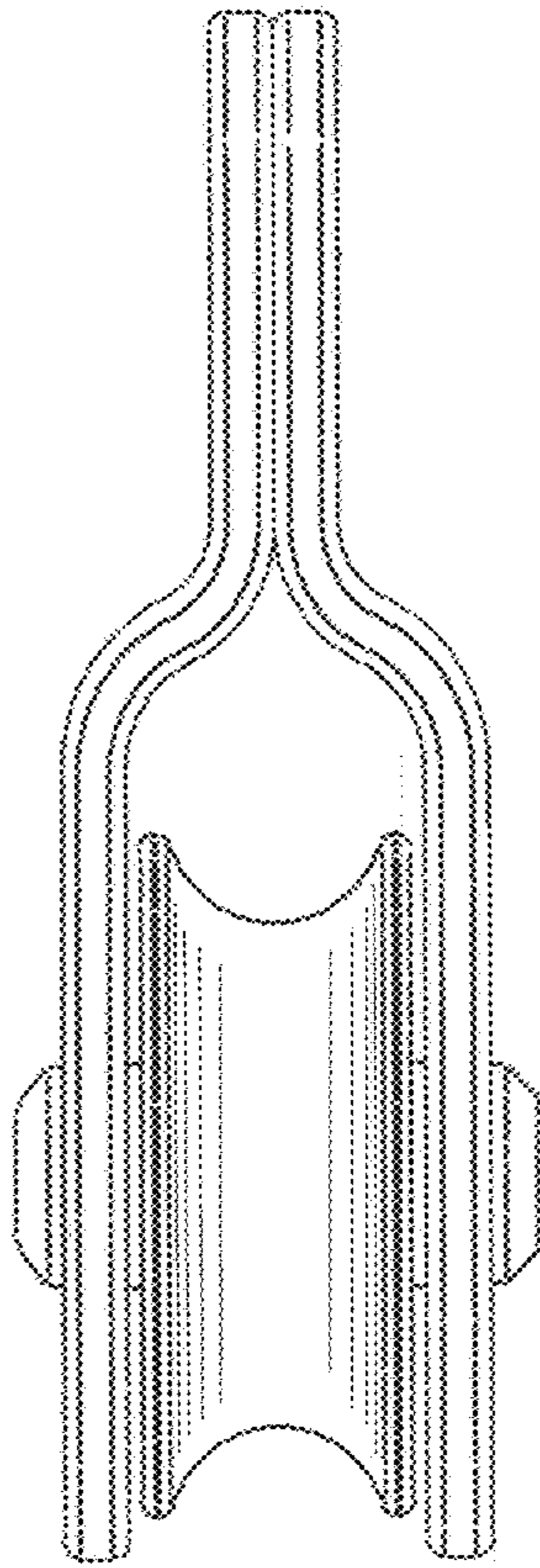


FIG. 5

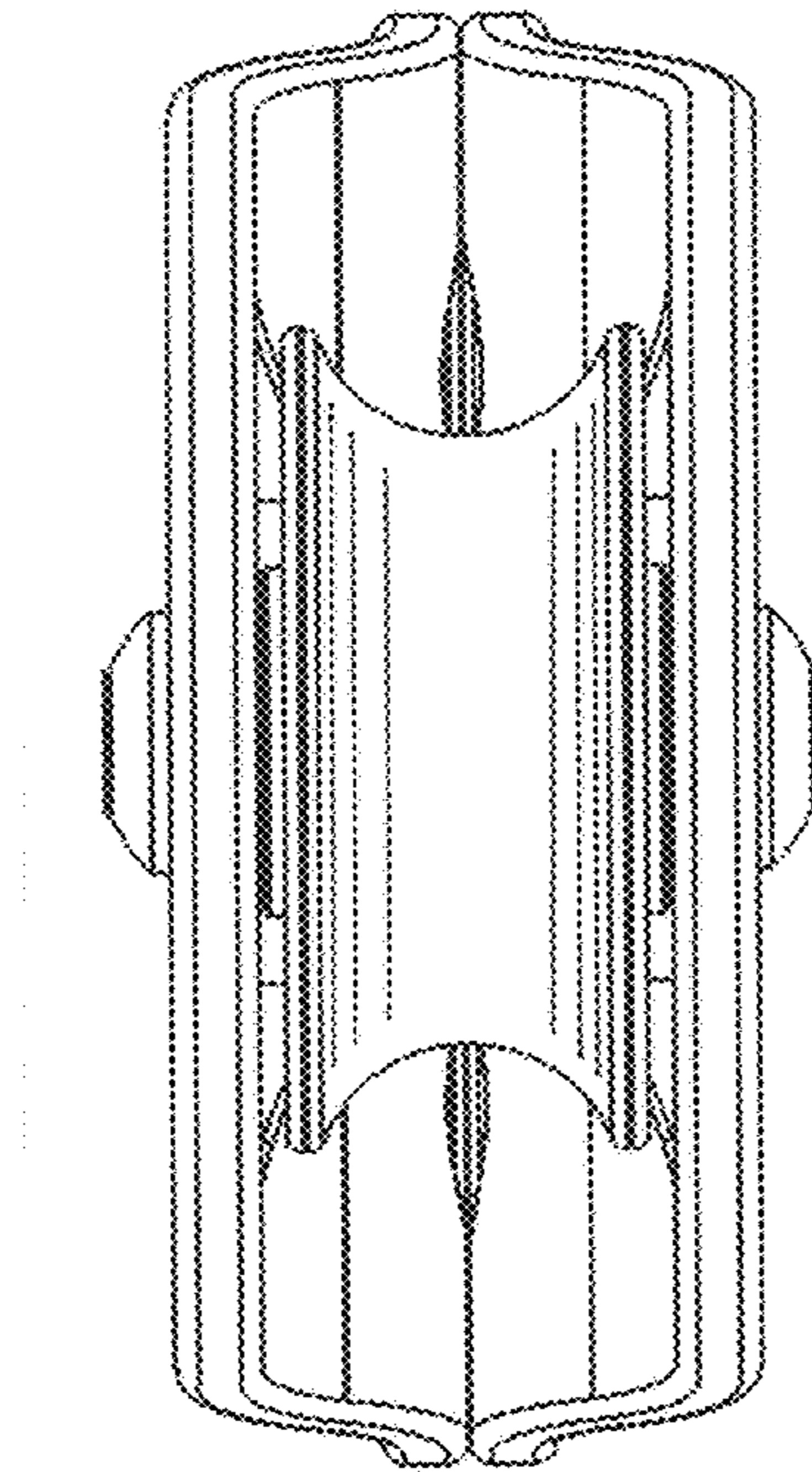


FIG. 6

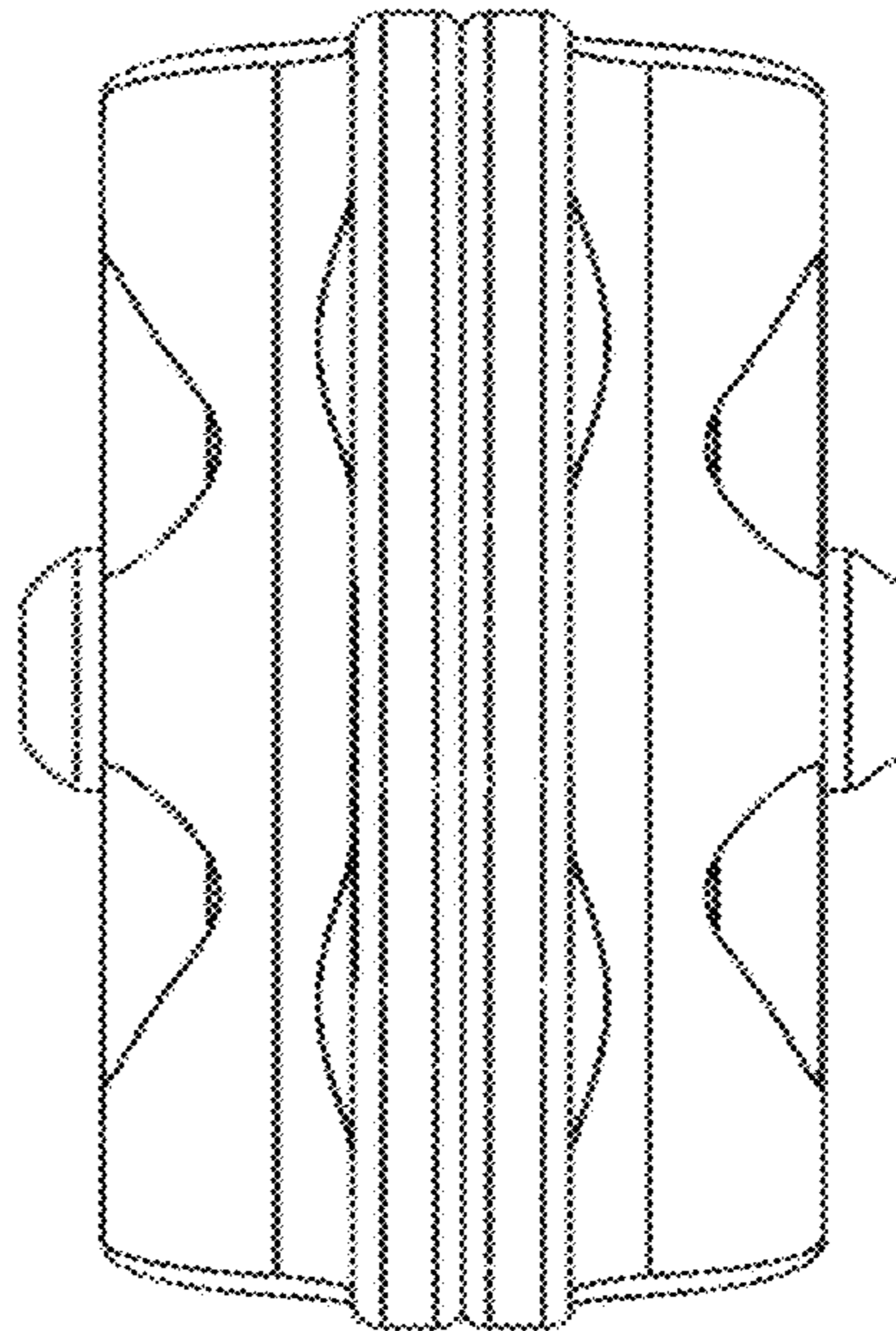


FIG. 7