

US00D860765S

(12) **United States Design Patent** (10) **Patent No.:** **US D860,765 S**
Tsay (45) **Date of Patent:** **** Sep. 24, 2019**

(54) **CABLE MANAGEMENT DEVICE**
(71) Applicant: **YOUHUNG INTERNATIONAL VIEW CO., LTD.,** New Taipei (TW)
(72) Inventor: **Tzu-Rung Tsay,** New Taipei (TW)
(73) Assignee: **Youhung International View Co., Ltd.,** New Taipei (TW)
(**) Term: **15 Years**
(21) Appl. No.: **29/650,649**
(22) Filed: **Jun. 8, 2018**
(51) **LOC (12) Cl.** **09-06**
(52) **U.S. Cl.**
USPC **D8/356**
(58) **Field of Classification Search**
USPC D8/356, 354, 349, 360; D30/139;
D11/218; 24/129 R
See application file for complete search history.

6,598,835 B2 * 7/2003 Minnick F16L 5/00
248/56
7,073,541 B2 * 7/2006 Pappas H02G 3/305
140/123
D527,245 S * 8/2006 Kelleghan D8/356
D534,416 S * 1/2007 Kelleghan D8/356
D554,984 S * 11/2007 Stenberg D8/349
D631,730 S * 2/2011 Skillman B65H 75/143
D8/356
8,387,329 B2 * 3/2013 Stevens E04C 5/0604
52/220.3
D685,771 S * 7/2013 Bertenthal D14/223
8,590,847 B2 * 11/2013 Guthke H02G 3/32
174/68.1
8,664,544 B2 * 3/2014 Even F03D 80/85
174/144
D741,149 S * 10/2015 Koop D8/356
D763,664 S * 8/2016 Suiter D8/356
D764,709 S * 8/2016 Filho D28/73
9,520,705 B2 * 12/2016 Trifeletti H02G 13/40

(Continued)

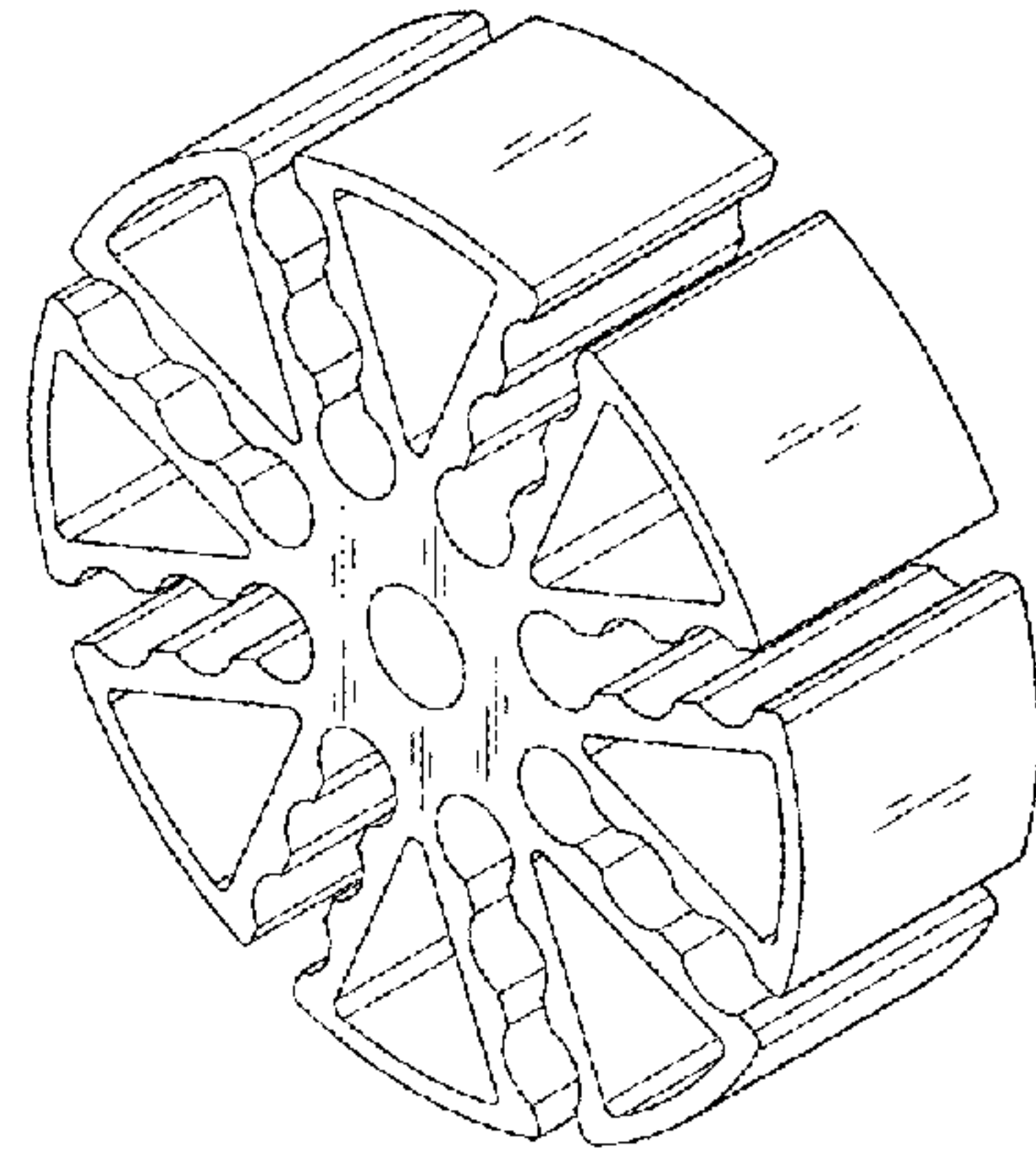
Primary Examiner — Cynthia R Underwood
(74) *Attorney, Agent, or Firm* — Rosenberg, Klein & Lee

(57) **CLAIM**
The ornamental design for a cable management device, as shown and described.

DESCRIPTION
FIG. 1 is a perspective view of a cable management device showing my new design;
FIG. 2 is a front elevation view thereof; the rear elevation view being identical;
FIG. 3 is a left side elevation view thereof; the right side elevation view being identical;
FIG. 4 is a top plan view thereof; the bottom plan view being identical; and,
FIG. 5 is a cross sectional view thereof, taken along the line 5-5 of FIG. 4.

1 Claim, 2 Drawing Sheets

(56) **References Cited**
U.S. PATENT DOCUMENTS
277,374 A * 5/1883 Strohm H01B 3/082
174/111
2,902,821 A * 9/1959 Kelly, Jr. A44C 5/102
174/146
2,983,014 A * 5/1961 Greenwood D06F 55/00
174/146
4,715,571 A * 12/1987 Soltow F16L 3/22
174/146
D316,713 S * 5/1991 Sun Kag D14/484
5,243,138 A * 9/1993 Guthke F16L 3/222
174/138 R
D363,930 S * 11/1995 Bailey D14/484
D472,843 S * 4/2003 Marquez-Pickering D11/81
6,552,270 B1 * 4/2003 Heacox F16L 3/233
174/135



(56)

References Cited

U.S. PATENT DOCUMENTS

D775,710	S *	1/2017	Kim	D22/137
D778,712	S *	2/2017	Kennedy	D8/358
D782,180	S *	3/2017	Eberhard	D3/18
D786,050	S *	5/2017	Ito	D8/358
D831,467	S *	10/2018	Crichton	D8/356
2002/0145073	A1 *	10/2002	Swanson	A61F 15/002 242/588.3
2003/0122023	A1 *	7/2003	Pitcher	B65H 75/143 242/388.1
2004/0178398	A1 *	9/2004	Miller	F16H 55/44 254/390
2007/0120023	A1 *	5/2007	Martinez	E02F 9/2275 248/75

* cited by examiner

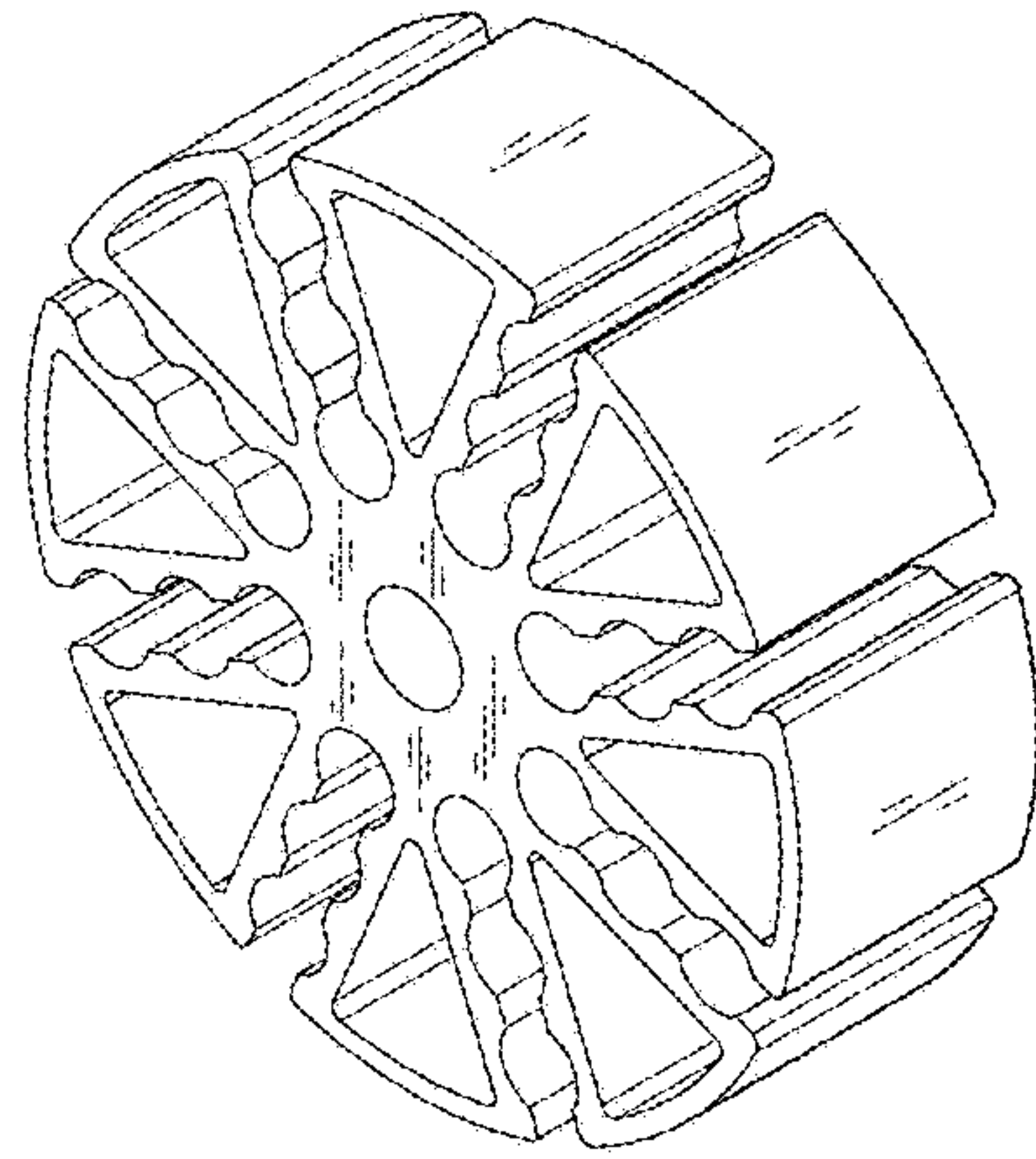


FIG.1

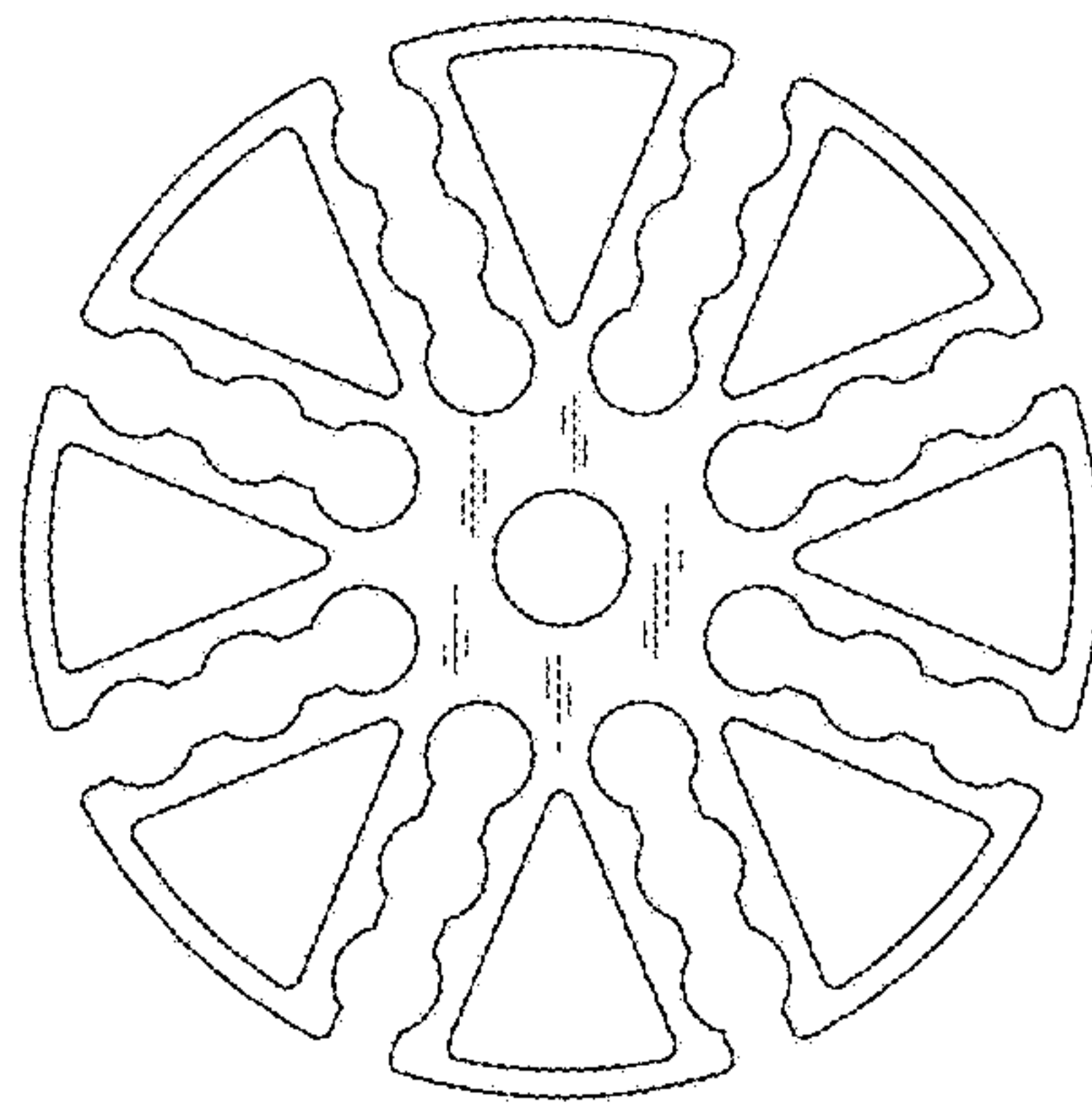


FIG.2

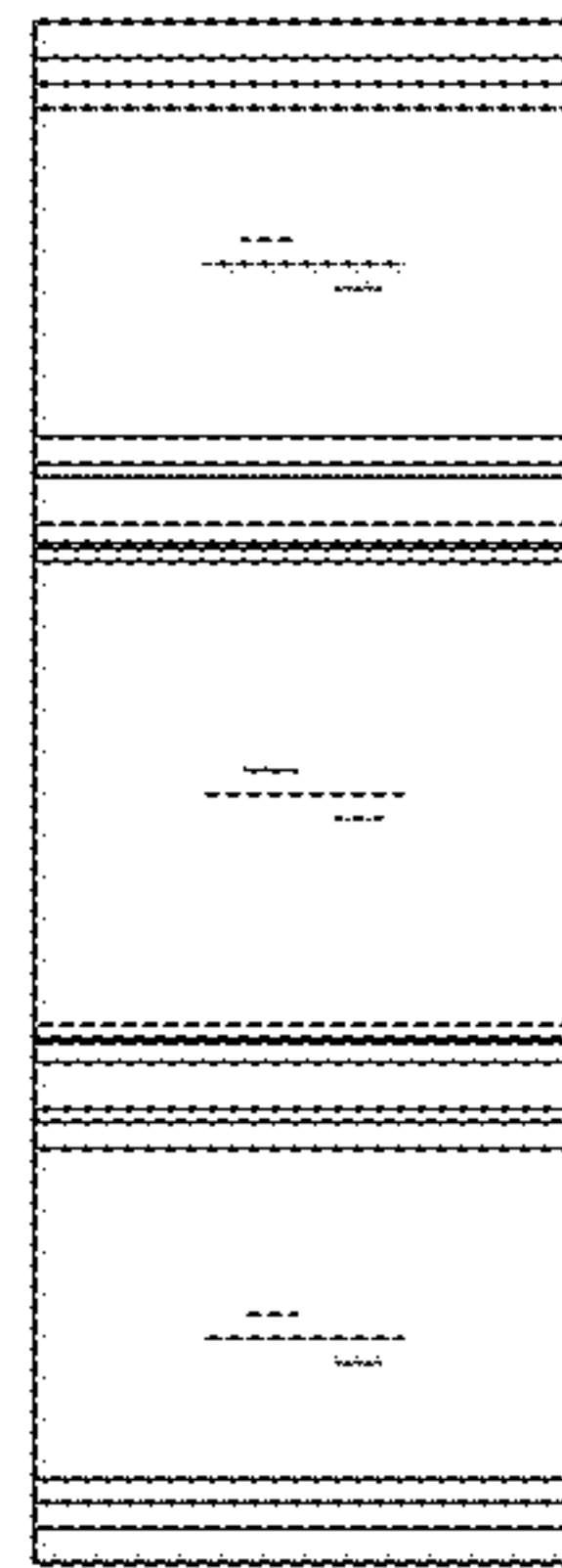


FIG.3

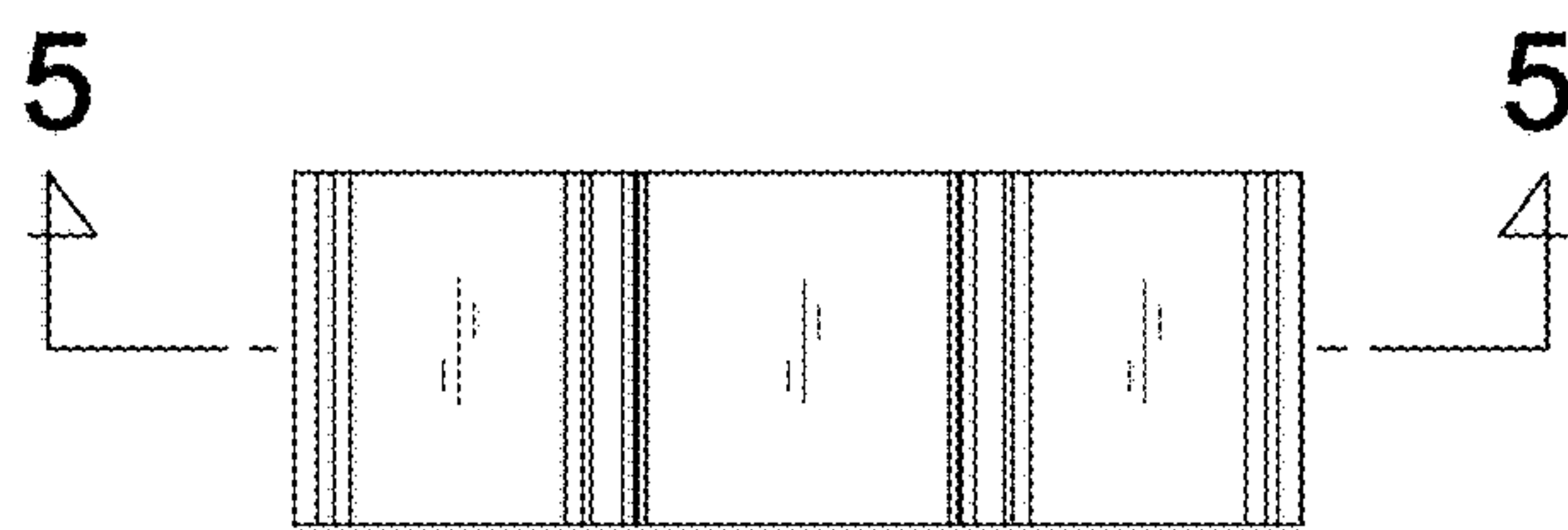


FIG.4

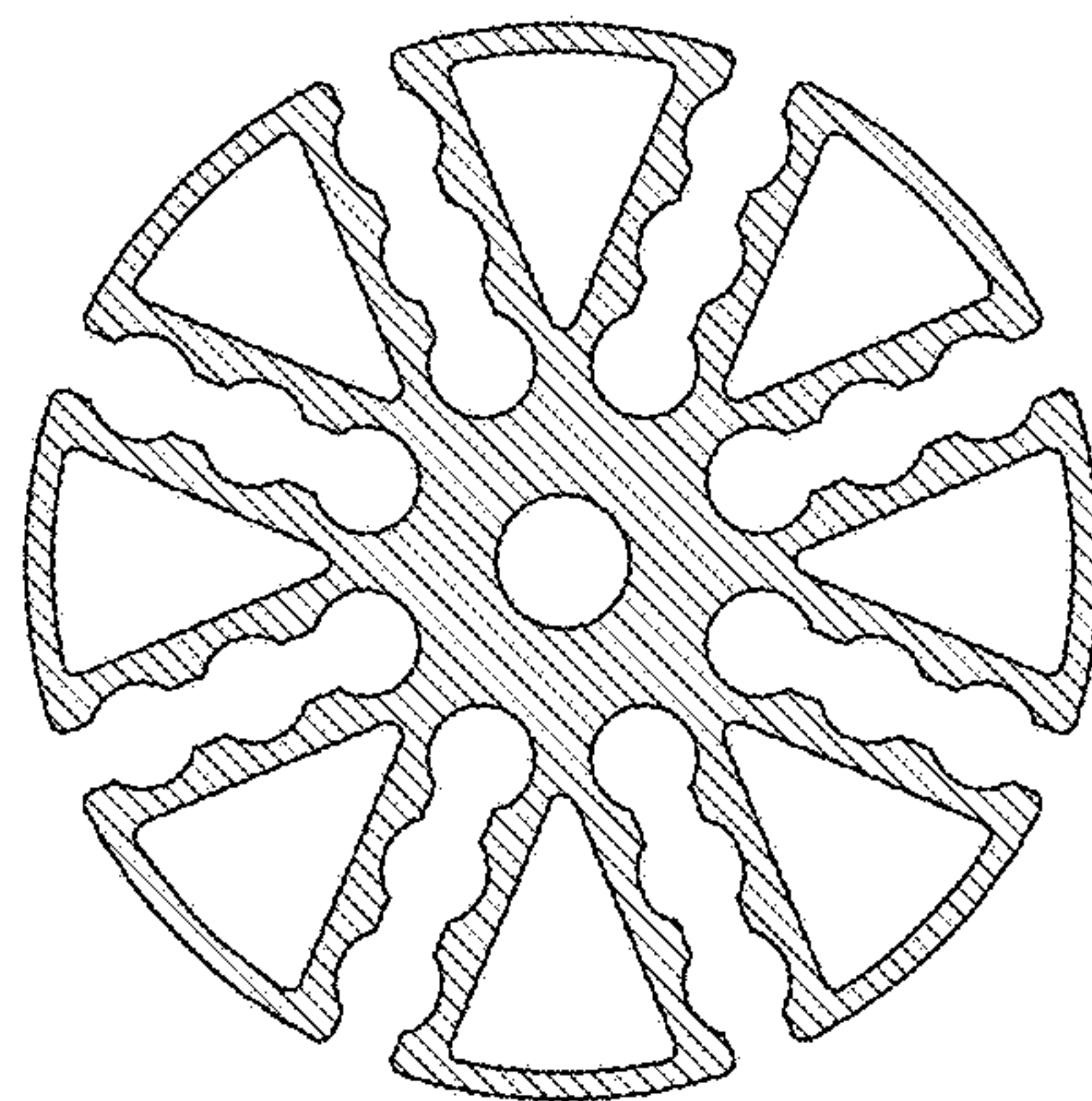


FIG.5