



US00D860763S

(12) **United States Design Patent** (10) **Patent No.:** **US D860,763 S**
Allen et al. (45) **Date of Patent:** **** Sep. 24, 2019**

- (54) **BRIDGING TERMINATION CLIP**
- (71) Applicant: **Allen Innovations, LLC**, Cary, NC (US)
- (72) Inventors: **Brian C. Allen**, Raleigh, NC (US); **Richard Mountcastle**, Raleigh, NC (US)
- (73) Assignee: **Allen Innovations, LLC**, Cary, NC (US)
- (**) Term: **15 Years**
- (21) Appl. No.: **29/669,327**
- (22) Filed: **Nov. 7, 2018**

Related U.S. Application Data

- (62) Division of application No. 29/648,011, filed on May 17, 2018, now Pat. No. Des. 837,633, which is a division of application No. 29/591,056, filed on Jan. 16, 2017, now Pat. No. Des. 820,664.
- (51) **LOC (12) Cl.** **08-05**
- (52) **U.S. Cl.**
USPC **D8/354**
- (58) **Field of Classification Search**
USPC D8/354
CPC .. E04B 1/2604; E04B 1/24; E04B 2001/2415;
E04B 2001/2696; E04C 3/292; F16B
15/0046
See application file for complete search history.

(56) **References Cited**

U.S. PATENT DOCUMENTS

3,457,689 A	7/1969	Troutner
3,945,741 A	3/1976	Wendt
4,665,677 A	5/1987	Palacio
D357,623 S	4/1995	Davis
5,403,110 A	4/1995	Sammann
5,904,023 A	5/1999	Digirolamo et al.

D611,887 S	3/2010	Peschmann
D692,746 S	11/2013	Lawson
8,733,061 B1	5/2014	McDonald
9,016,024 B1	4/2015	Daudet
D730,545 S	5/2015	Stauffer
D732,708 S	6/2015	Stauffer

(Continued)

OTHER PUBLICATIONS

FastBridge Clip, posted at clarkdietrich.com, posting date not given, [online], [site visited Mar. 29, 2018]. Available from Internet, URL: <https://www.clarkdietrich.com/products/bridging-bracing-backing-connections/fastbridge-clip-fb33-fb43-fb68> (Year: 2018).

(Continued)

Primary Examiner — George D. Kirschbaum
Assistant Examiner — Maria J Edwards
(74) *Attorney, Agent, or Firm* — Ward and Smith, P.A.;
Ryan K. Simmons

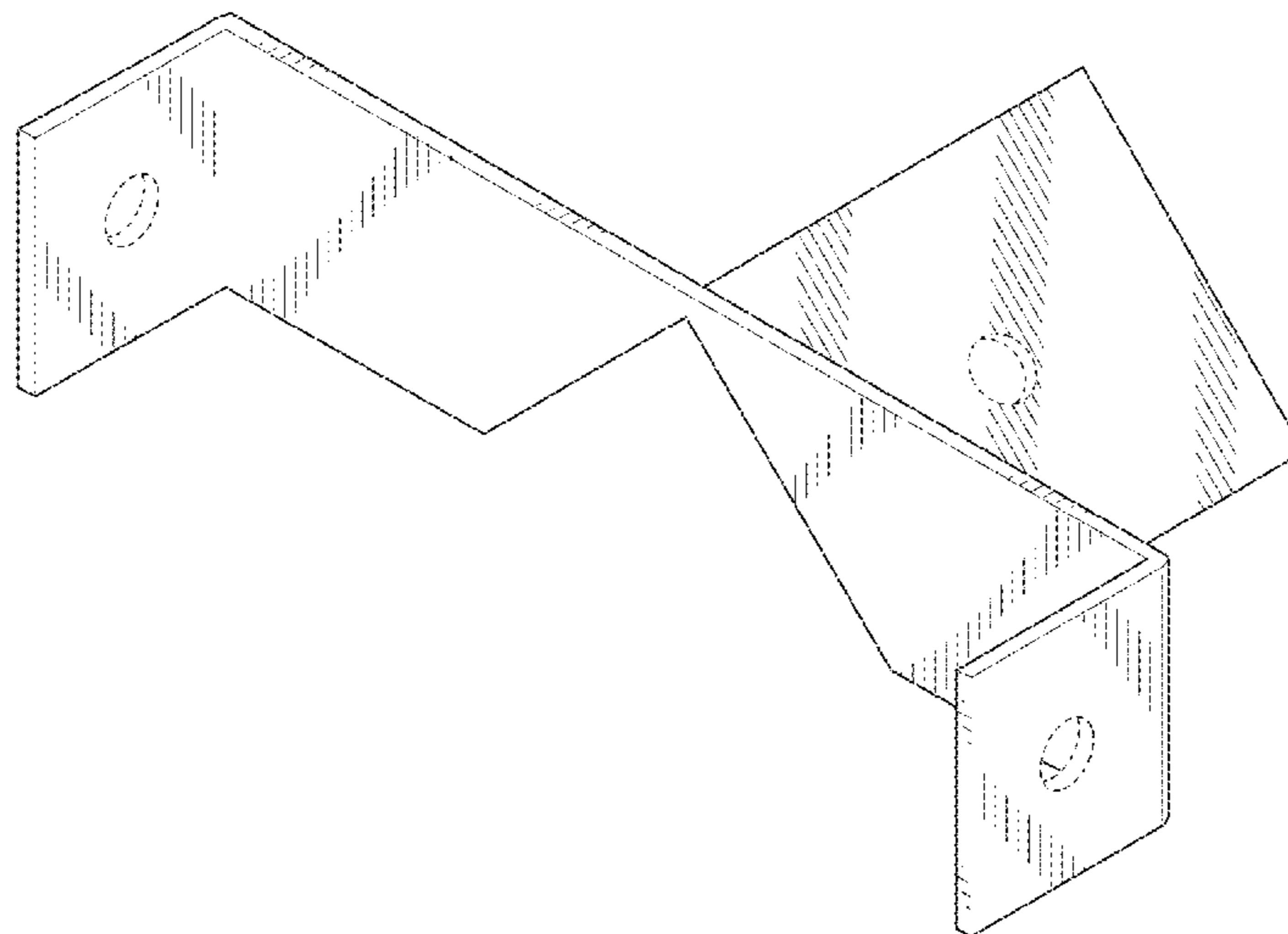
(57) **CLAIM**

The ornamental design for a bridging termination clip, as shown and described.

DESCRIPTION

FIG. 1 is a perspective view of the bridging termination clip showing a new design;
FIG. 2 is a front view thereof;
FIG. 3 is a rear view thereof;
FIG. 4 is a right side view thereof, the left side being a mirror image of the right side;
FIG. 5 is a top plan view thereof;
FIG. 6 is a bottom plan view thereof; and,
FIG. 7 is another perspective view of the bridging termination clip in an installed configuration.
In the drawings the dash-dash broken lines are for the purpose of illustrating environment only and form no part of the claimed design.

1 Claim, 5 Drawing Sheets



(56)

References Cited

U.S. PATENT DOCUMENTS

D791,578	S	7/2017	Royak	
9,732,520	B2	8/2017	Daudet	
D796,302	S	9/2017	Bright	
D798,693	S	10/2017	Kanagal Narasimhaswamy	
9,849,497	B2	12/2017	Daudet	
D820,664	S	6/2018	Allen	
D821,851	S	7/2018	Stahl	
D822,455	S	7/2018	Stahl	
D823,095	S	7/2018	Stahl	
D837,633	S *	1/2019	Allen D8/354
2014/0270916	A1	9/2014	Daudet	
2014/0270923	A1	9/2014	Daudet	
2016/0002912	A1	1/2016	Doupe	
2018/0154421	A1 *	6/2018	Daudet E04B 2/763
2018/0202144	A1	7/2018	Allen	
2018/0266109	A1	9/2018	Haba	

OTHER PUBLICATIONS

Simpson Strong Tie SUBH3, posted at amazon.com, posting date Dec. 4, 2013, [online], [site visited Mar. 29, 2018]. Available from

Internet, URL: <https://www.amazon.com/Simpson-Strong-SUBH3-25-R150-Bridging-Connector/dp/BOOH3NWLPE> (Year: 2013).

Spazzer Bar Fly Clip, posted at clarkdietrich.com, posting date not given, [online], [site visited Mar. 29, 2018]. Available from Internet, URL: <https://www.clarkdietrich.com/products/bridging-bracing-backing-connections/spazzer-bar-fly-clip-sfly> (Year: 2018).

Universal Bridging Clip, posted at bmp-group.com, posting date not given, [online], [site visited Mar. 29, 2018]. Available from Internet, URL: [http://www.bmp-group.com/products/framing-connectors-clips/universal-bridging-clip-\(ubc-365-ubc-600-ubc800\)](http://www.bmp-group.com/products/framing-connectors-clips/universal-bridging-clip-(ubc-365-ubc-600-ubc800)) (Year: 2018).

BC Secure Bridge Clip, posted at scafco.com, posting date not given, [online], [site visited Oct. 12, 2018], Available from Internet, URL: <https://www.scafco.com/steel/products/secure-clips/bc-secure-bridge-clip/> (Year: 2018).

DBC Drywall Bridging Connector, posted at sssupply.com, posting date not given, [online], [site visited Oct. 12, 2018], Available from Internet, URL: http://www.sssupply.com/product/DBC_Drywall_Bridging_Connector (Year: 2018).

Two-Position Bridging Clip, posted at grainger.com, posting date not given, [online], [site visited Oct. 12, 2018], Available from Internet, URL: <https://www.grainger.com/product/LEVITON-Two-Position-Bridging-Clip-5LP91> (Year: 2018).

* cited by examiner

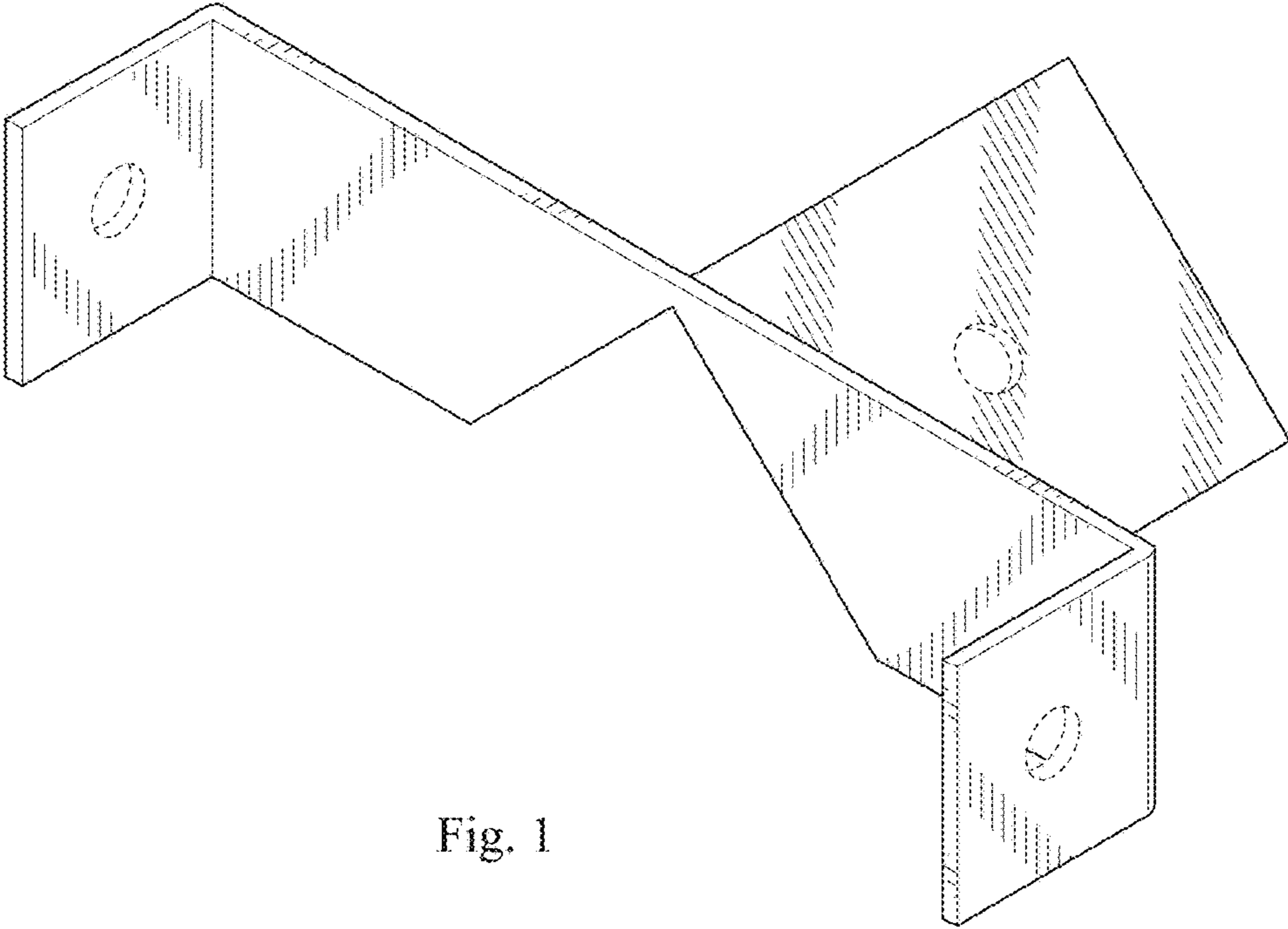


Fig. 1

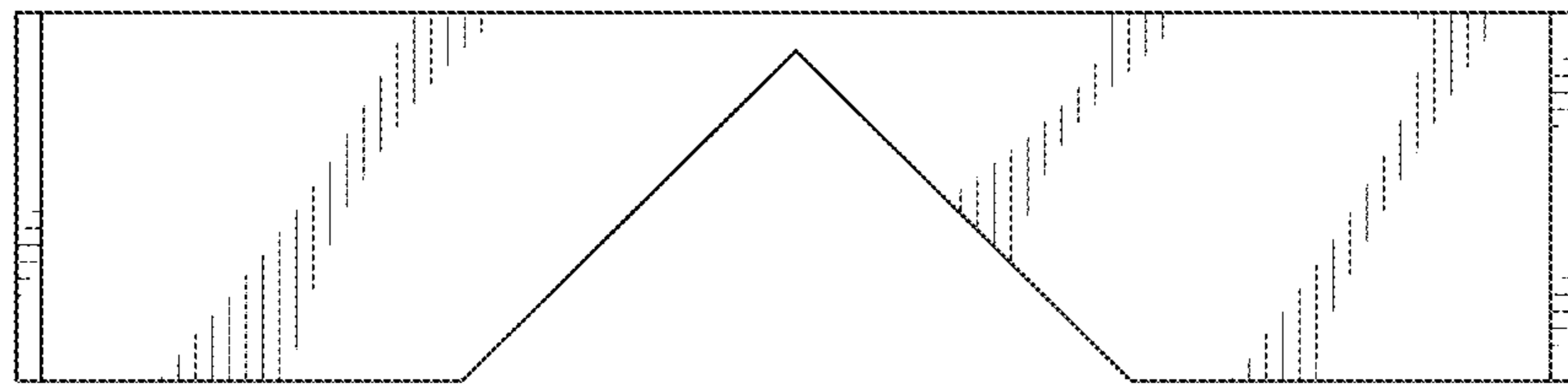


Fig. 2

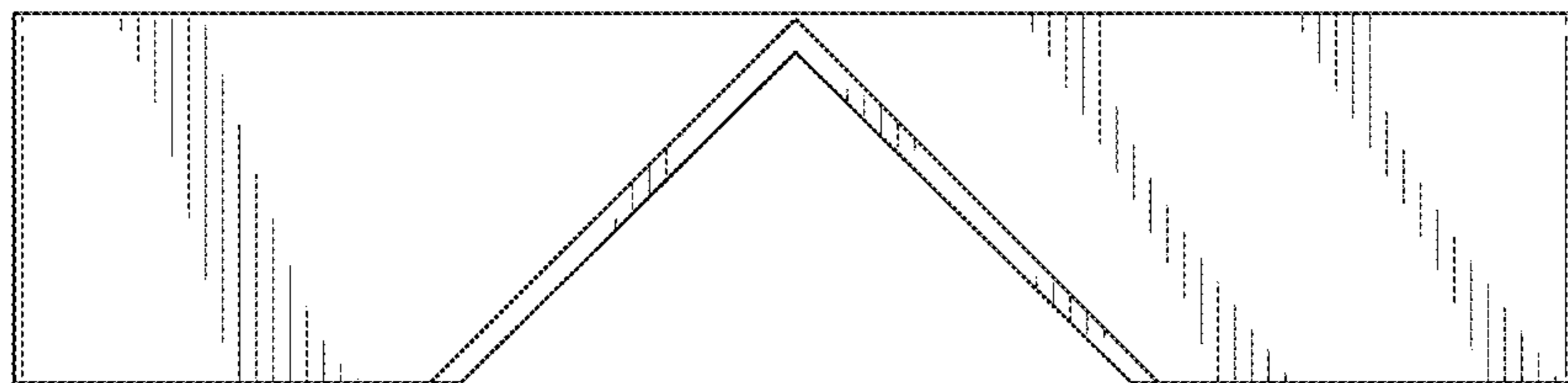


Fig. 3

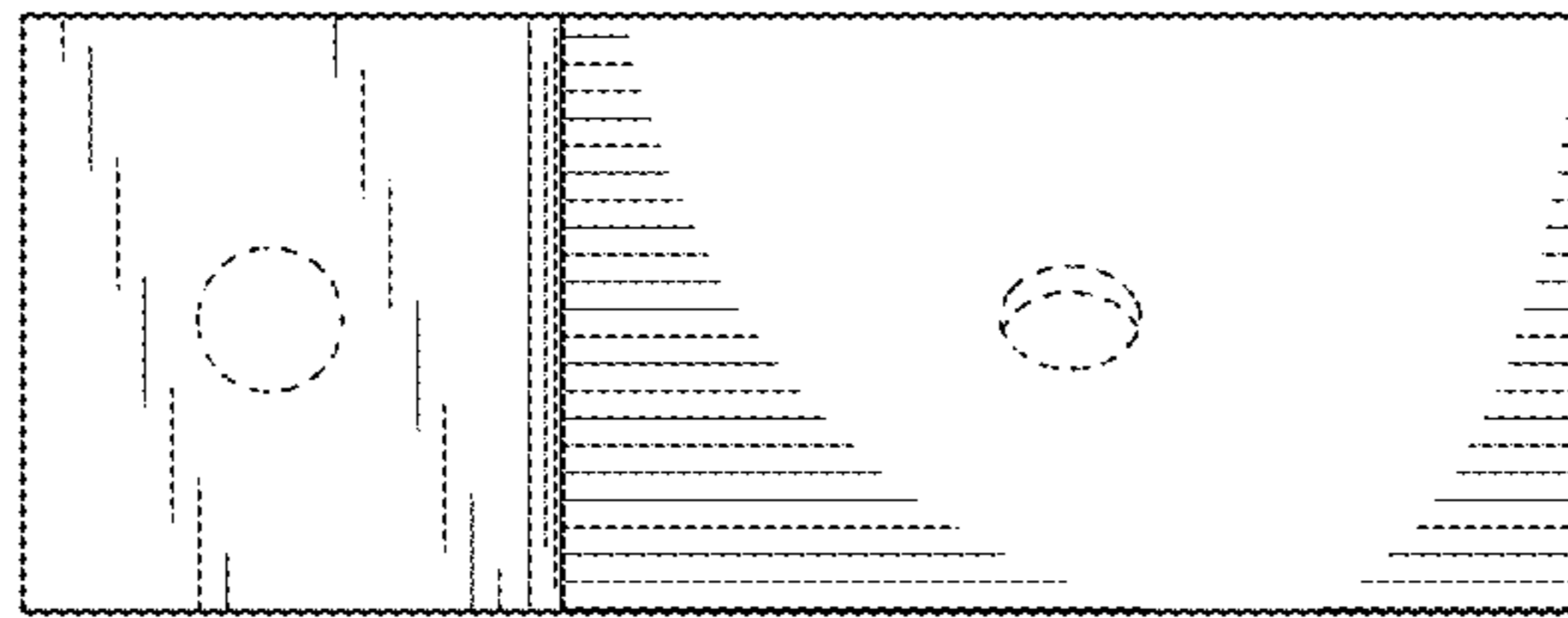


Fig. 4

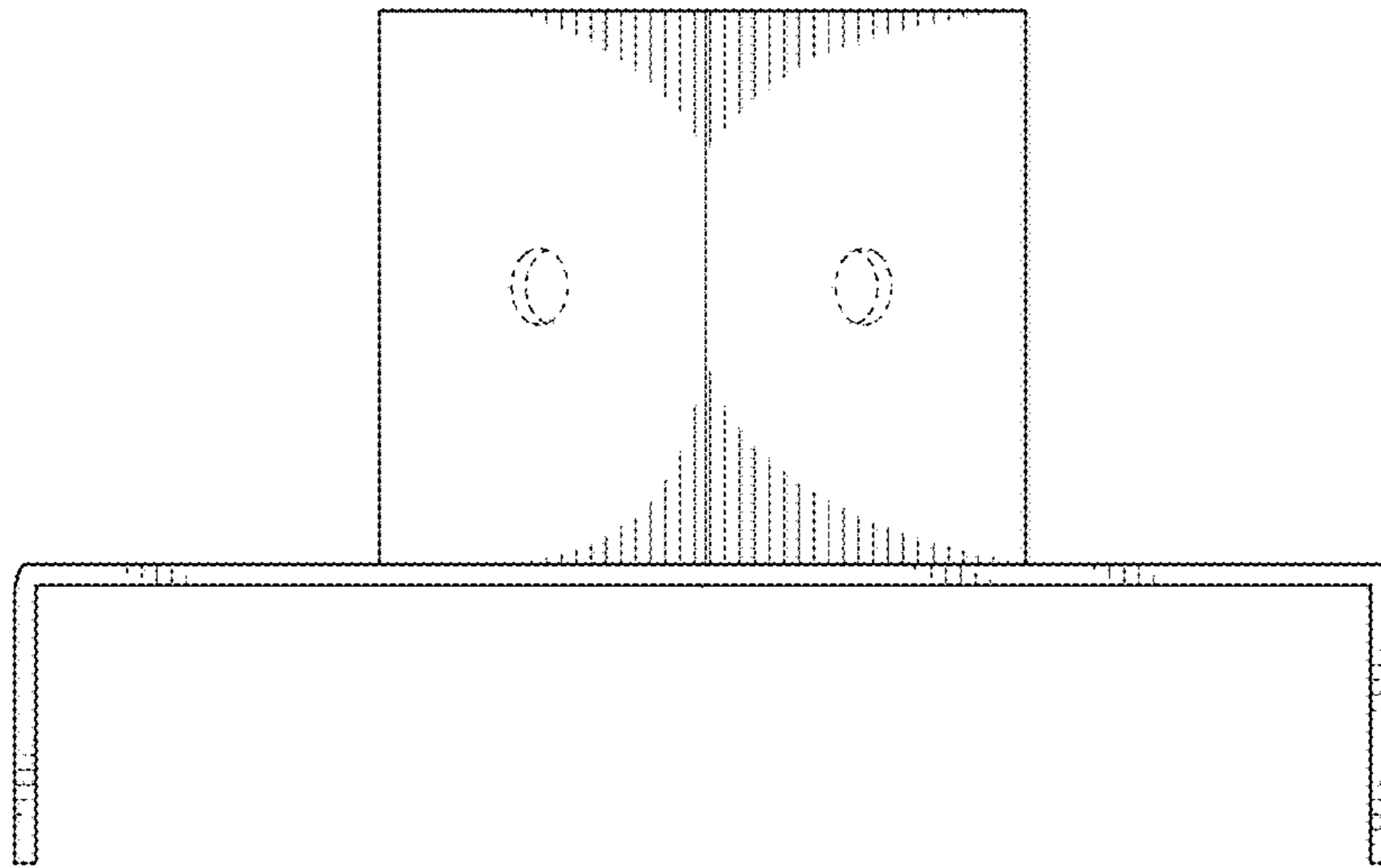


Fig. 5

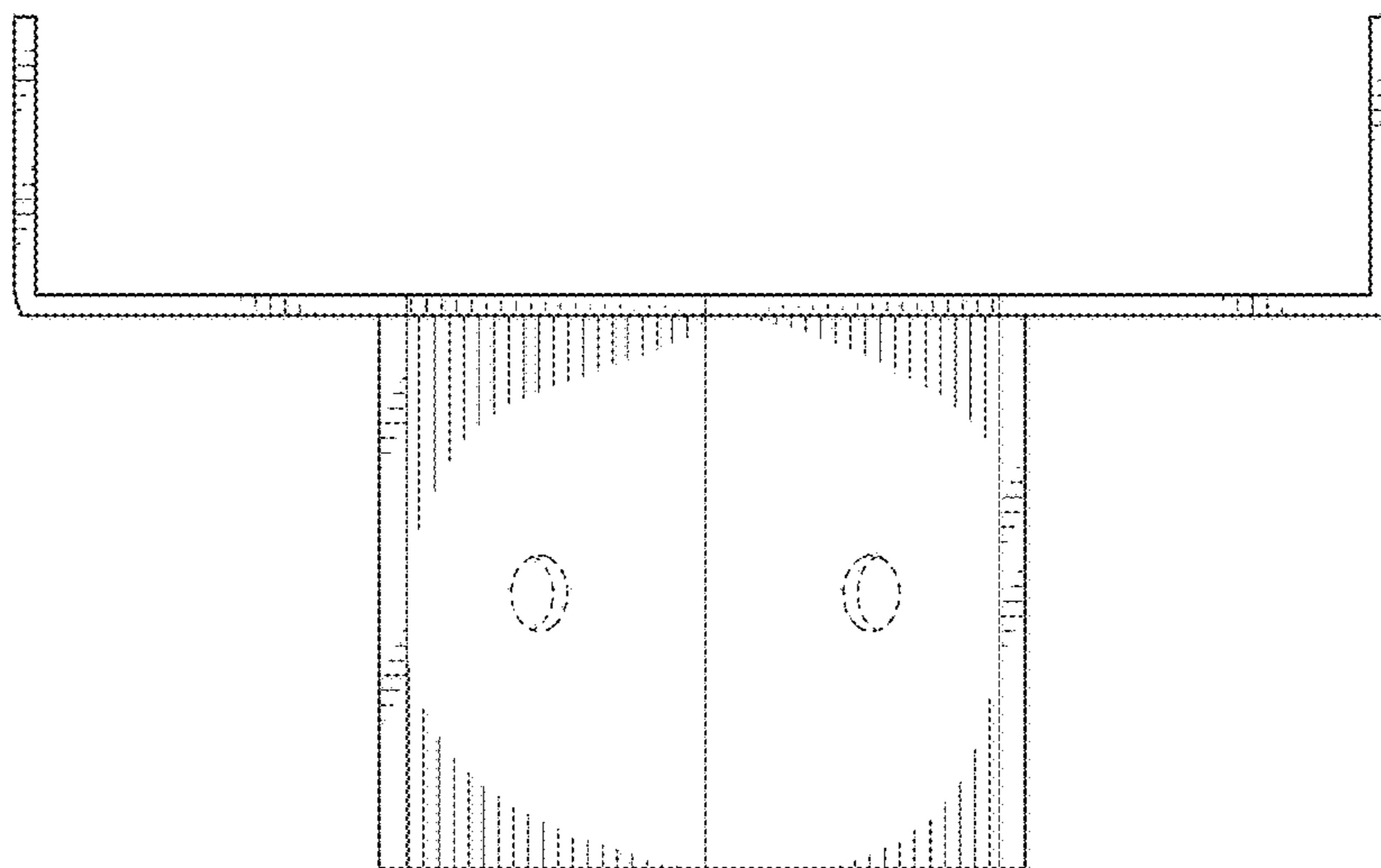


Fig. 6

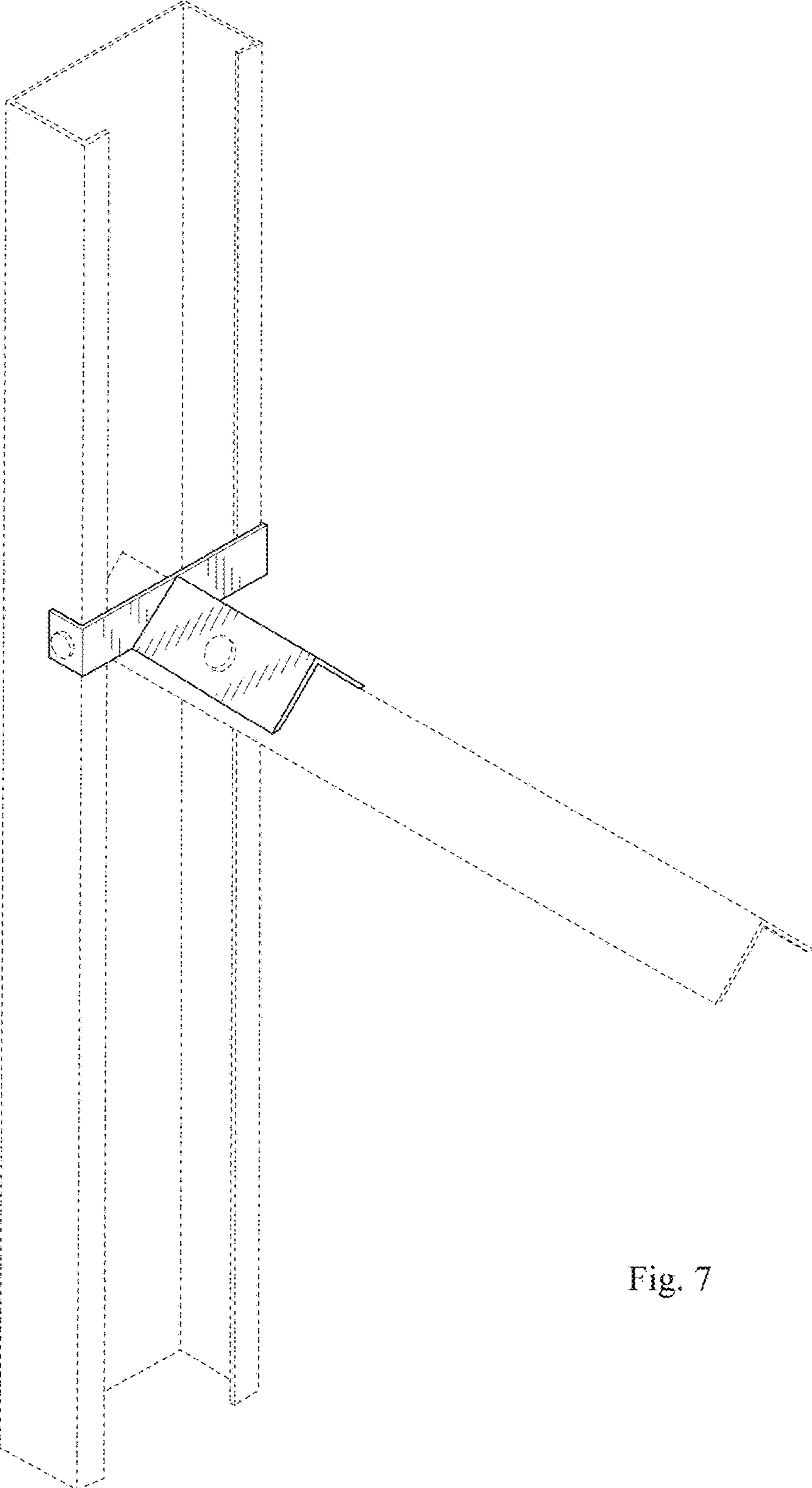


Fig. 7