

US00D860762S

(12) **United States Design Patent**
Gibson

(10) **Patent No.:** **US D860,762 S**

(45) **Date of Patent:** **** Sep. 24, 2019**

(54) **JOIST HANGER**

(71) Applicant: **George Raymond Gibson**, Kingston,
GA (US)

(72) Inventor: **George Raymond Gibson**, Kingston,
GA (US)

(**) Term: **15 Years**

(21) Appl. No.: **29/637,455**

(22) Filed: **Feb. 19, 2018**

(51) **LOC (12) Cl.** **08-05**

(52) **U.S. Cl.**
USPC **D8/354**

(58) **Field of Classification Search**
USPC D8/380, 349, 363, 366, 367, 371, 383,
D8/385, 354
CPC E04B 1/2612; E04B 1/2608
See application file for complete search history.

(56) **References Cited**

U.S. PATENT DOCUMENTS

D463,255 S * 9/2002 Snyder D8/373
6,612,529 B2 * 9/2003 Snyder F24F 13/02
24/347

D480,555 S * 10/2003 Bledsoe D3/215
D491,447 S * 6/2004 Diss D8/371
D517,402 S * 3/2006 Cairns D8/381
D534,329 S * 12/2006 Bourne D34/38
8,250,821 B1 * 8/2012 Gibson E04F 17/00
52/11
9,187,911 B2 * 11/2015 Bowman E04D 13/0481
D817,730 S * 5/2018 Petersen D8/14

* cited by examiner

Primary Examiner — Janice Hallmark

Assistant Examiner — Harold E Blackwell, II

(74) *Attorney, Agent, or Firm* — Walter A. Rodgers

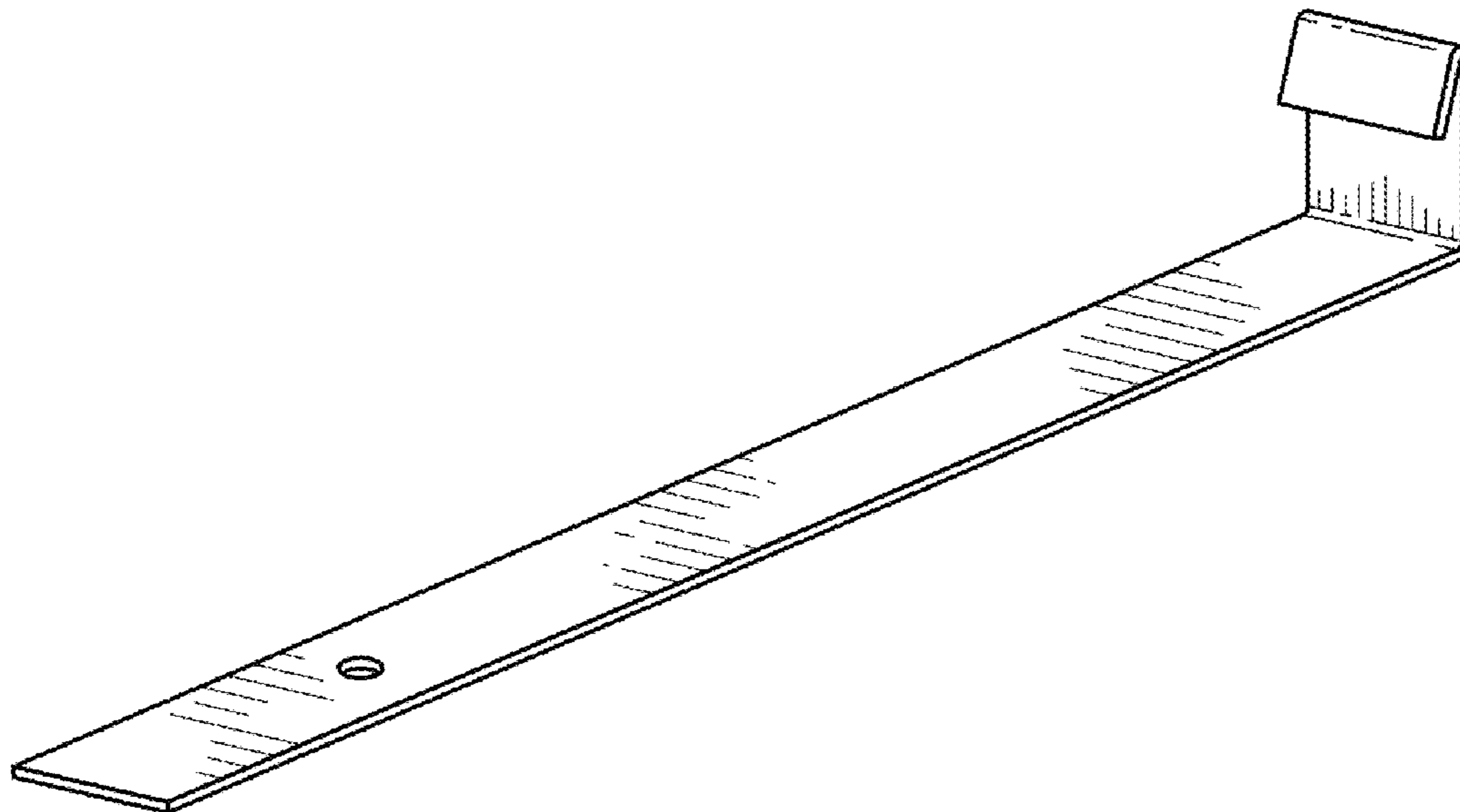
(57) **CLAIM**

The ornamental design for a joist hanger, as shown and described.

DESCRIPTION

FIG. 1 is a perspective view of a joist hanger showing my new design;
FIG. 2 is a left-side elevation thereof;
FIG. 3 is a right-side elevation thereof;
FIG. 4 is a front elevation thereof, the rear being the same in appearance;
FIG. 5 is a top plan thereof; and,
FIG. 6 is a bottom plan thereof.

1 Claim, 2 Drawing Sheets



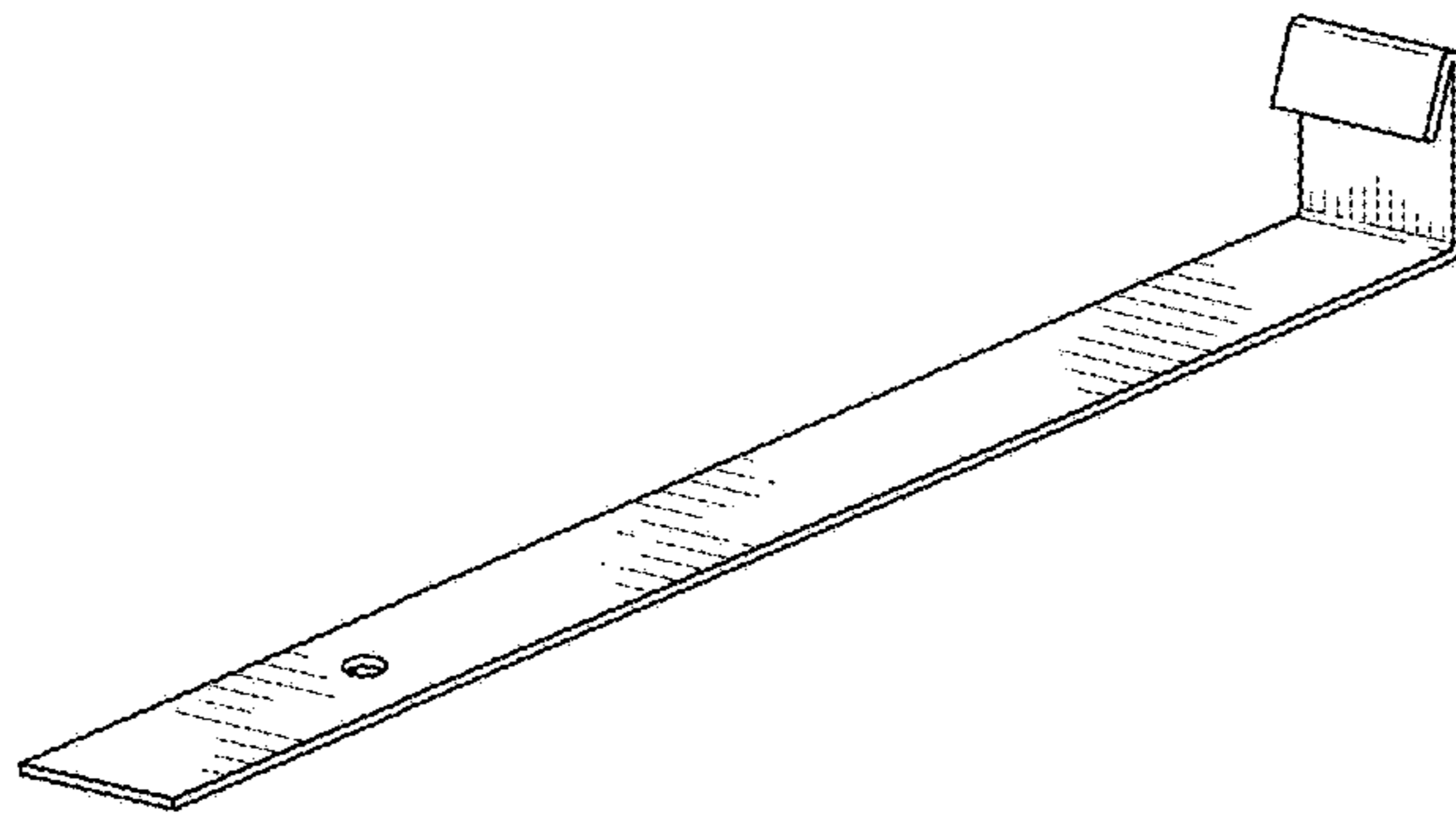


FIG. 1

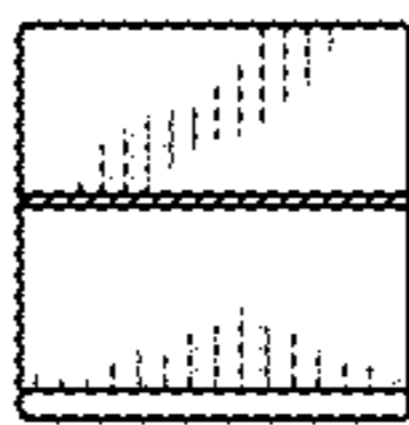


FIG. 2

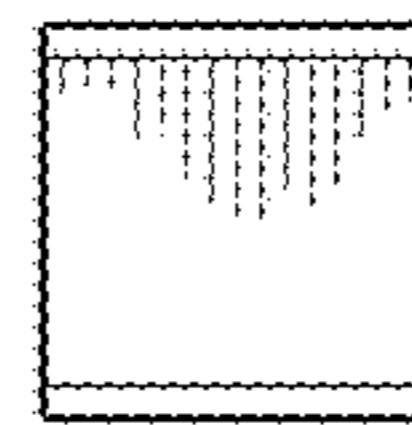


FIG. 3



FIG. 4

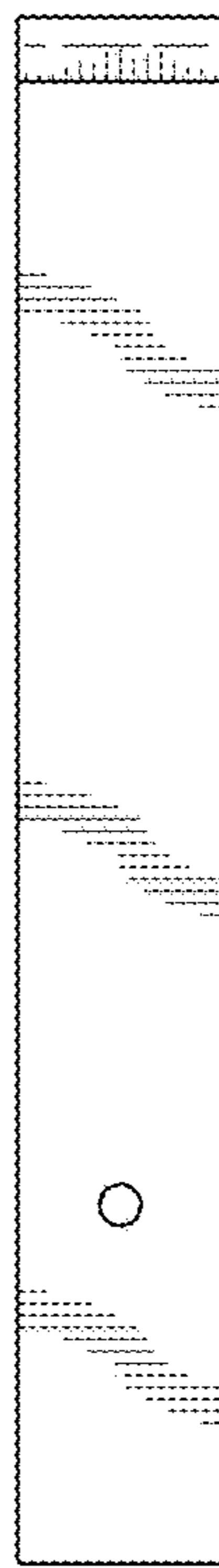


FIG. 5

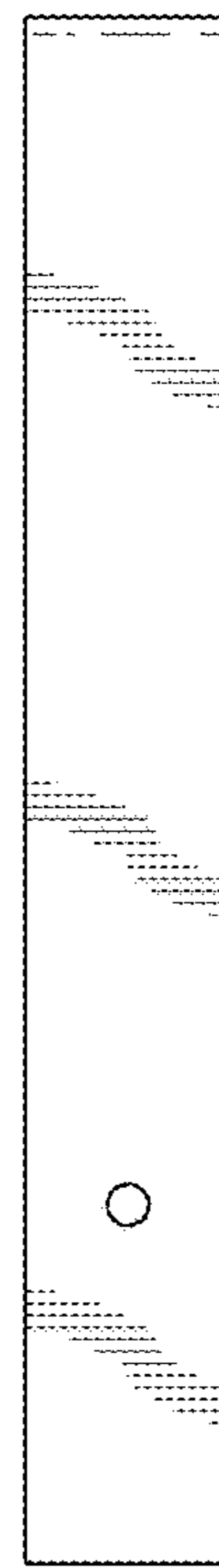


FIG. 6