



US00D860761S

(12) **United States Design Patent**  
**Howard et al.**

(10) **Patent No.:** **US D860,761 S**

(45) **Date of Patent:** **\*\* Sep. 24, 2019**

- (54) **MODULAR DISPLAY BRACKET**
- (71) Applicant: **Adroit Worldwide Media, Inc.**, Aliso Viejo, CA (US)
- (72) Inventors: **Kevin Howard**, Aliso Viejo, CA (US); **Kurtis Van Horn**, Aliso Viejo, CA (US); **Emad Mirgoli**, Aliso Viejo, CA (US)
- (73) Assignee: **Adroit Worldwide Media, Inc.**, Aliso Viejo, CA (US)
- (\*\*) Term: **15 Years**
- (21) Appl. No.: **29/636,147**
- (22) Filed: **Feb. 6, 2018**
- (51) **LOC (12) Cl.** ..... **08-05**
- (52) **U.S. Cl.**  
USPC ..... **D8/354**
- (58) **Field of Classification Search**  
USPC ..... D8/14, 16, 19, 394, 354, 373, 381, 382; D14/217, 239, 308, 311, 312, 313, 432, D14/299; D12/223  
CPC .. A47F 5/10; A47F 5/101; A47F 5/103; A47F 5/0043; A47F 5/0068; A47F 2005/0075; A47F 5/0081; A47F 5/0087; A47B 57/406; A47B 57/404; A47B 57/408; A47B 57/42; A47B 57/16; A47B 57/14  
See application file for complete search history.

- (56) **References Cited**  
U.S. PATENT DOCUMENTS  
D254,301 S \* 2/1980 Combo ..... D12/115  
D266,827 S \* 11/1982 Withrow ..... D18/59  
D286,611 S \* 11/1986 Handler ..... D8/381  
D322,210 S \* 12/1991 Boscacci ..... D8/363  
D463,778 S \* 10/2002 Hsu ..... D13/184  
7,311,211 B2 \* 12/2007 Chung ..... A47B 96/021  
211/103

- D607,312 S \* 1/2010 Silverman ..... D8/373
- D628,048 S \* 11/2010 Young ..... D8/354
- D640,123 S \* 6/2011 Stearns ..... D8/355
- D649,027 S \* 11/2011 Pensi ..... D8/381
- 9,844,280 B2 \* 12/2017 Dipaolo ..... A47F 3/002
- D812,945 S \* 3/2018 Turner ..... D6/705.6
- D826,701 S \* 8/2018 Lu ..... D8/381
- D828,744 S \* 9/2018 Bright ..... D8/381
- 2001/0050262 A1 \* 12/2001 LaBruna Jr. .... A47F 5/103  
211/87.01
- 2003/0066811 A1 \* 4/2003 Dimattio ..... A47F 5/005  
211/59.2
- 2007/0062891 A1 \* 3/2007 Stievenard ..... A47B 96/025  
211/59.2
- 2010/0012600 A1 \* 1/2010 Clontz ..... A47B 96/02  
211/26
- 2011/0094975 A1 \* 4/2011 Hardy ..... A47F 1/12  
211/4
- 2014/0083959 A1 \* 3/2014 Kalafut ..... A47F 5/0861  
211/13.1

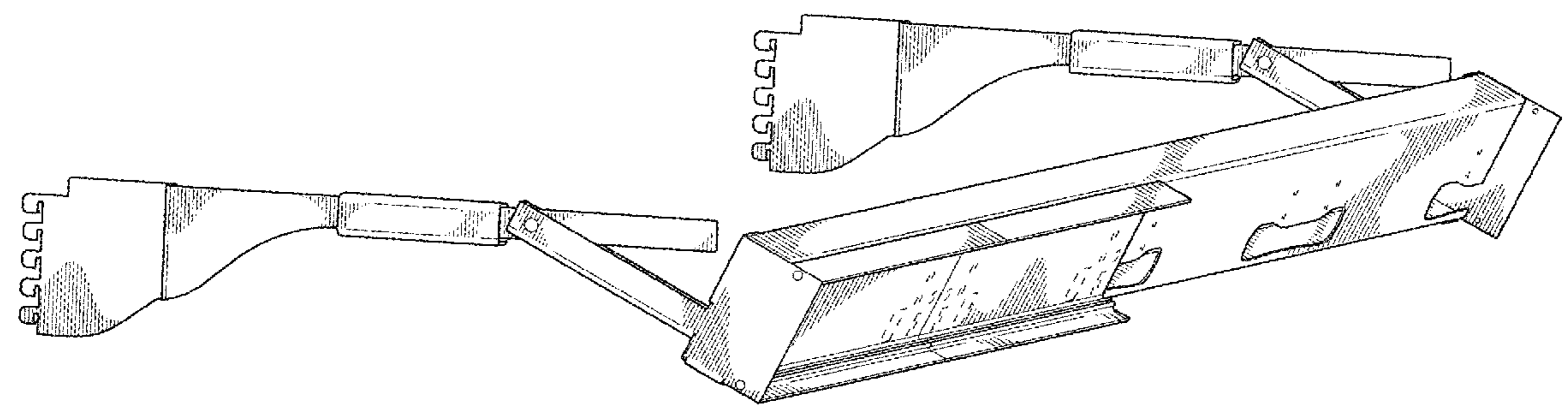
(Continued)

*Primary Examiner* — Sandra S Snapp  
*Assistant Examiner* — Ieisha N Price  
 (74) *Attorney, Agent, or Firm* — Ravi Mohan; Rutan & Tucker, LLP

(57) **CLAIM**  
 The ornamental design for a modular display bracket, as shown and described.

**DESCRIPTION**  
 FIG. 1—Top, Front, left side perspective view of the modular display bracket;  
 FIG. 2—Front elevation view;  
 FIG. 3—Rear elevation view;  
 FIG. 4—Left side elevation view;  
 FIG. 5—Right side elevation view;  
 FIG. 6—Top plan view; and,  
 FIG. 7—Bottom plan view.

**1 Claim, 4 Drawing Sheets**



(56)

**References Cited**

U.S. PATENT DOCUMENTS

2015/0243193 A1\* 8/2015 Trinh ..... A47F 5/0087  
211/150  
2015/0334866 A1\* 11/2015 Bailey ..... H05K 7/1489  
312/223.2  
2017/0071364 A1\* 3/2017 Turner ..... A47F 5/0093  
2018/0255944 A1\* 9/2018 Ford ..... A47F 11/10

\* cited by examiner

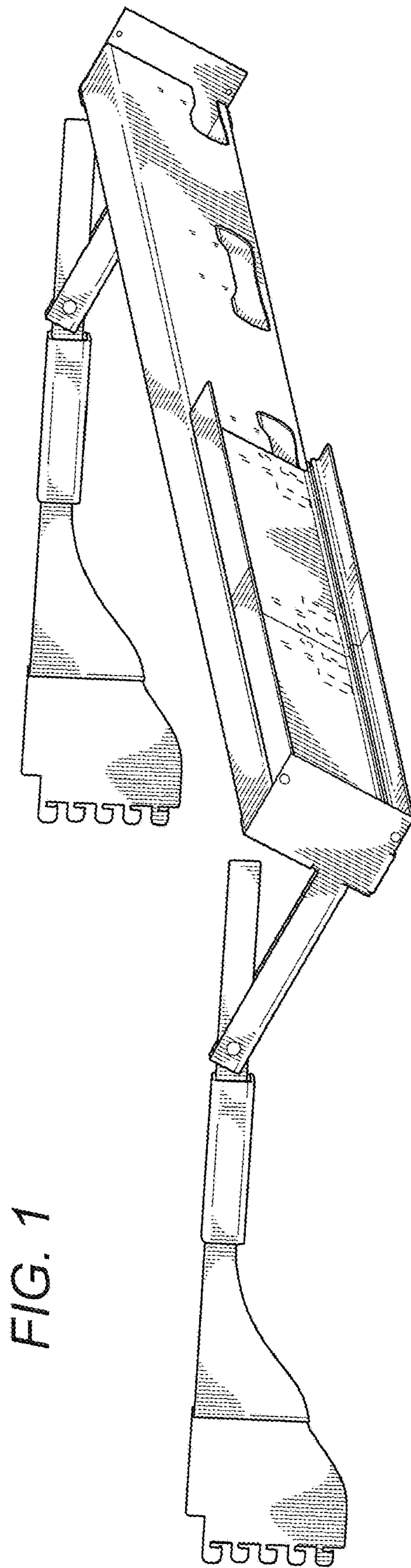


FIG. 1

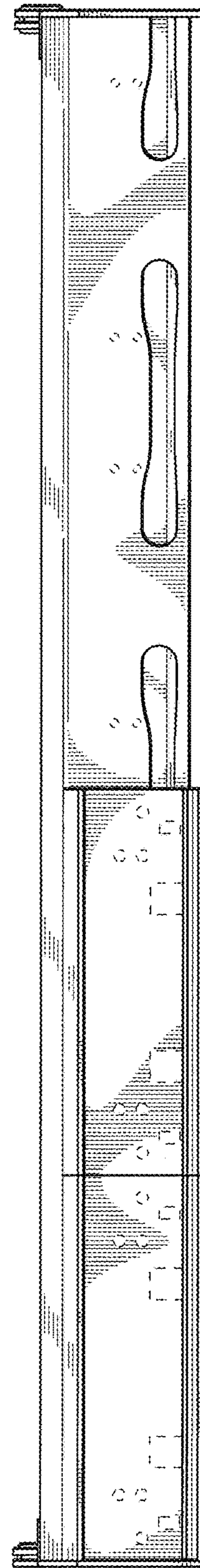


FIG. 2

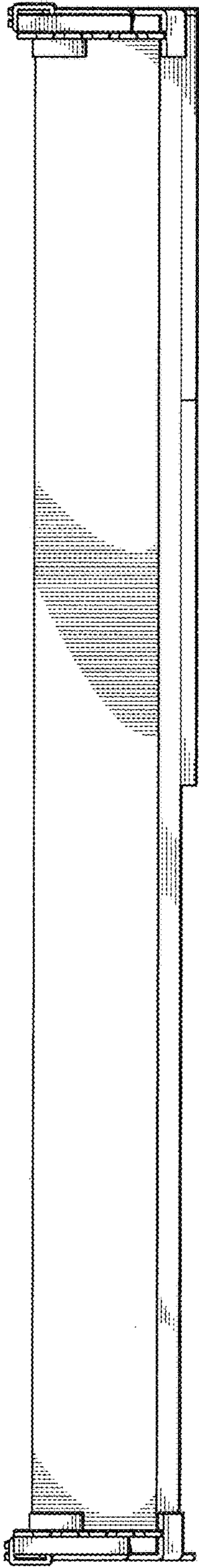


FIG. 3

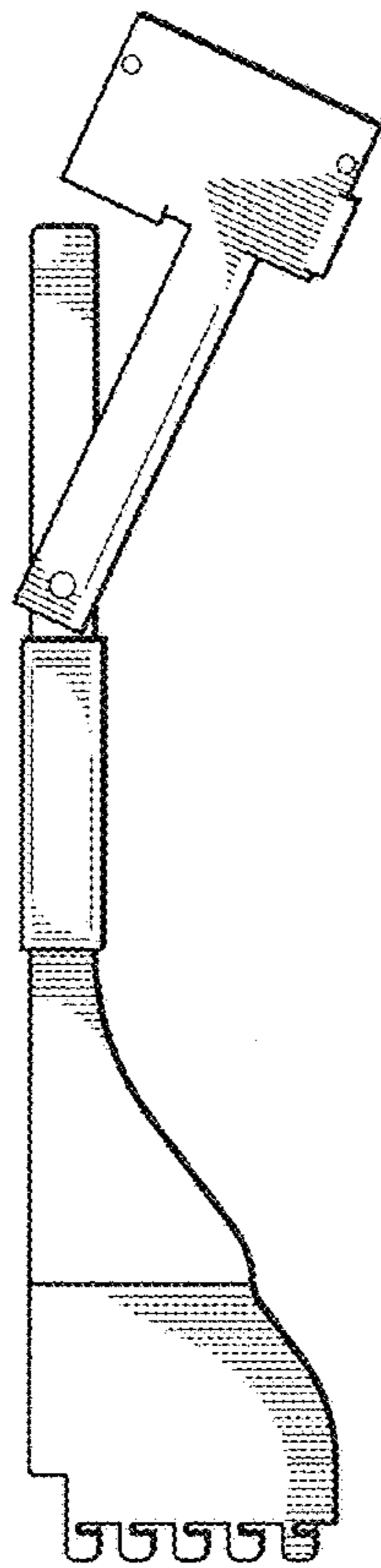


FIG. 4

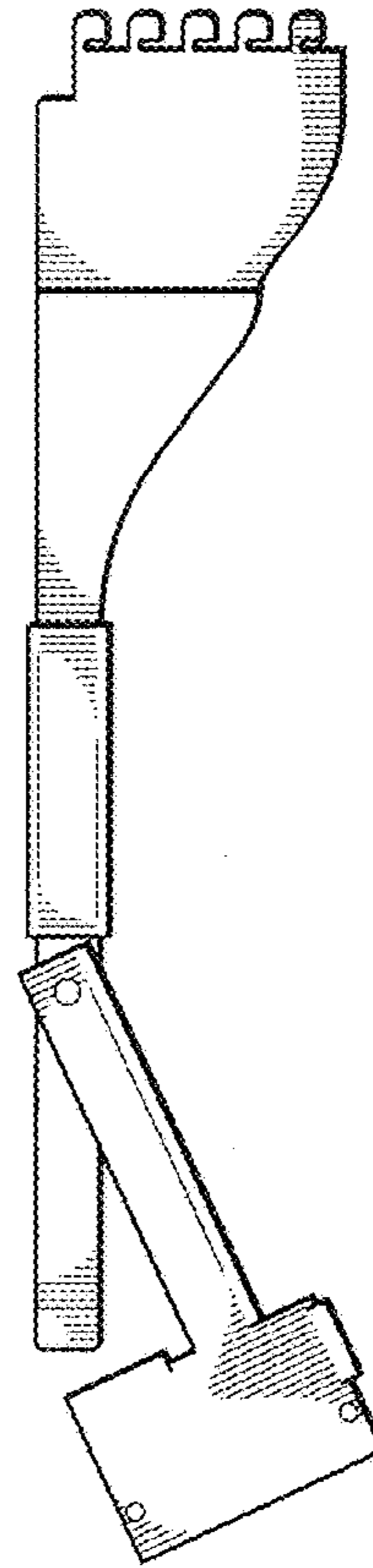


FIG. 5

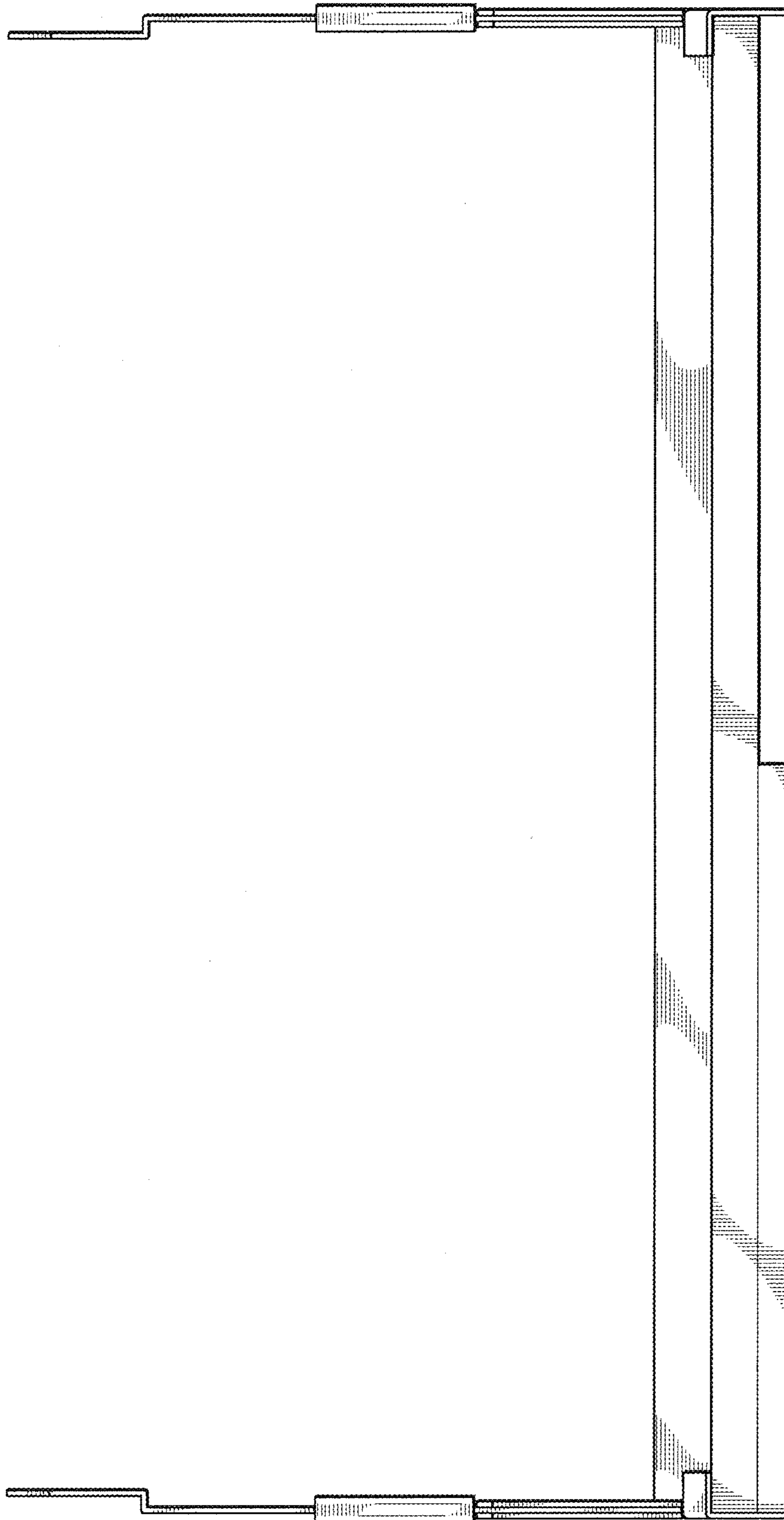


FIG. 6

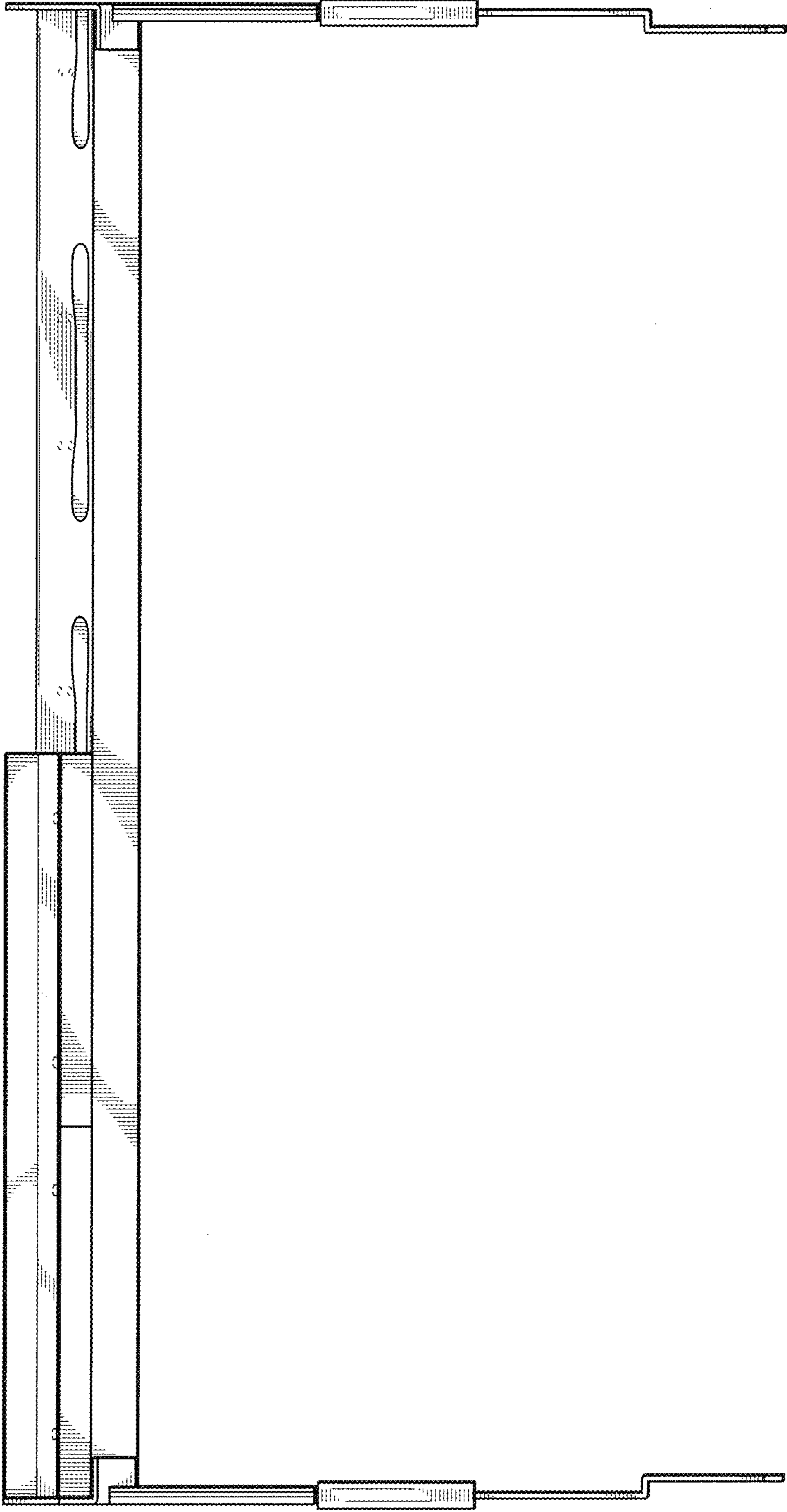


FIG. 7