



US00D860760S

(12) **United States Design Patent** (10) **Patent No.:** **US D860,760 S**
Wang (45) **Date of Patent:** **** Sep. 24, 2019**

(54) **FINGERPRINT LOCK**
(71) Applicant: **Dongguan Junmeirui Information and Technology Co., Ltd.**, Guangdong (CN)
(72) Inventor: **Hao Wang**, Heilongjiang (CN)
(73) Assignee: **Dongguan Junmeirui Information and Technology Co., Ltd.**, Guangdong (CN)
(**) Term: **15 Years**
(21) Appl. No.: **29/650,995**
(22) Filed: **Jun. 12, 2018**
(51) **LOC (12) Cl.** **08-07**
(52) **U.S. Cl.**
USPC **D8/334**
(58) **Field of Classification Search**
USPC D8/330–336, 339, 343
CPC E05B 1/0007; E05B 9/00; E05B 17/00;
E05B 47/0012; E05B 67/22; E05B
2047/002; A45C 5/00; A45C 13/00; A45C
13/02
See application file for complete search history.

(56) **References Cited**
U.S. PATENT DOCUMENTS
D416,467 S * 11/1999 Castellanos D8/334
D427,884 S * 7/2000 Castellanos D8/334
D470,746 S * 2/2003 Gast D8/346
D476,216 S * 6/2003 Vito D8/334
D516,896 S * 3/2006 Kearns D8/334
D517,396 S * 3/2006 Tarter D8/334
D545,173 S * 6/2007 Wasson D8/333
D567,628 S * 4/2008 Rohde D8/333
D605,494 S * 12/2009 Plato D8/334
D606,841 S * 12/2009 Stevens D8/331

D614,044 S * 4/2010 Mouquet D8/334
D636,252 S * 4/2011 Wasson D8/330
D637,888 S * 5/2011 Zheng D8/334
D638,279 S * 5/2011 Plato D8/334
D646,952 S * 10/2011 Plato D8/334
D662,394 S * 6/2012 Schmidt D8/334
D668,929 S * 10/2012 Schmidt D8/334
D678,751 S * 3/2013 Schmidt D8/334
D683,611 S * 6/2013 Walter D8/334
D685,250 S * 7/2013 Stevens D8/334
D695,589 S * 12/2013 Stevens D8/334
D701,746 S * 4/2014 Stevens D8/334
D703,024 S * 4/2014 Paulson D8/334
D736,592 S * 8/2015 Gengler D8/334
D741,143 S * 10/2015 Grainger D8/334
D746,659 S * 1/2016 Stevens D8/334
D762,104 S * 7/2016 Hyde D8/334
9,556,651 B1 * 1/2017 Cabral Herrera ... E05B 47/0012
9,784,016 B1 * 10/2017 Cabral Herrera ... E05B 47/0012
D813,645 S * 3/2018 Nguyen D8/334
D842,074 S * 3/2019 Cabral Herrera D8/331

(Continued)

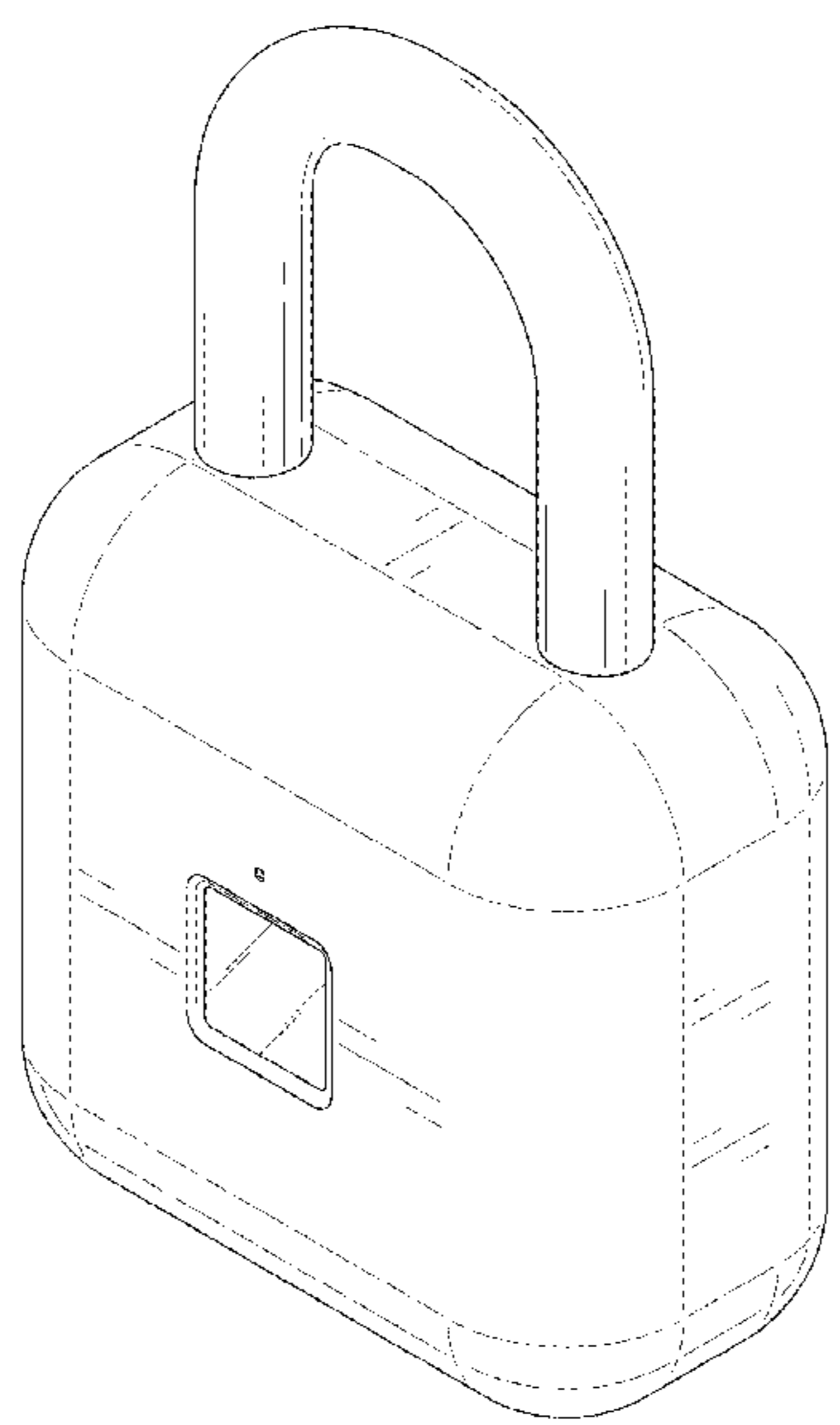
Primary Examiner — John Windmuller
Assistant Examiner — Steven J Czyz
(74) *Attorney, Agent, or Firm* — JCIPRNET

(57) **CLAIM**
The ornamental design for a fingerprint lock, as shown.

DESCRIPTION

FIG. 1 is a perspective view of a fingerprint lock showing my new design;
FIG. 2 is another perspective view thereof;
FIG. 3 is a front view thereof;
FIG. 4 is a rear view thereof;
FIG. 5 is a left side view thereof;
FIG. 6 is a right side view thereof;
FIG. 7 is a top view thereof; and,
FIG. 8 is a bottom view thereof.

1 Claim, 7 Drawing Sheets



(56)

References Cited

U.S. PATENT DOCUMENTS

2014/0366592 A1 * 12/2014 Bao E05B 37/10
70/25

* cited by examiner

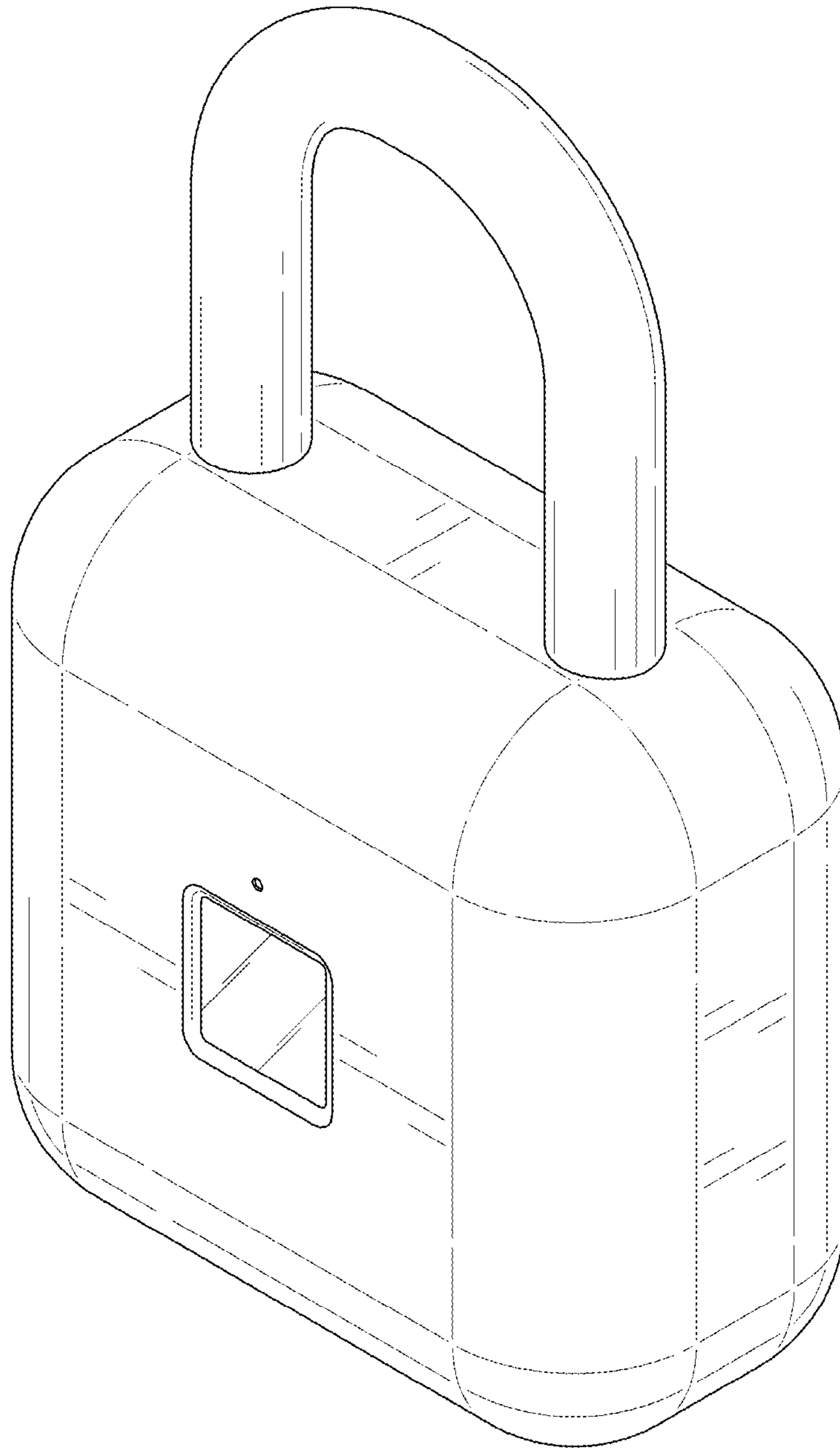


FIG. 1

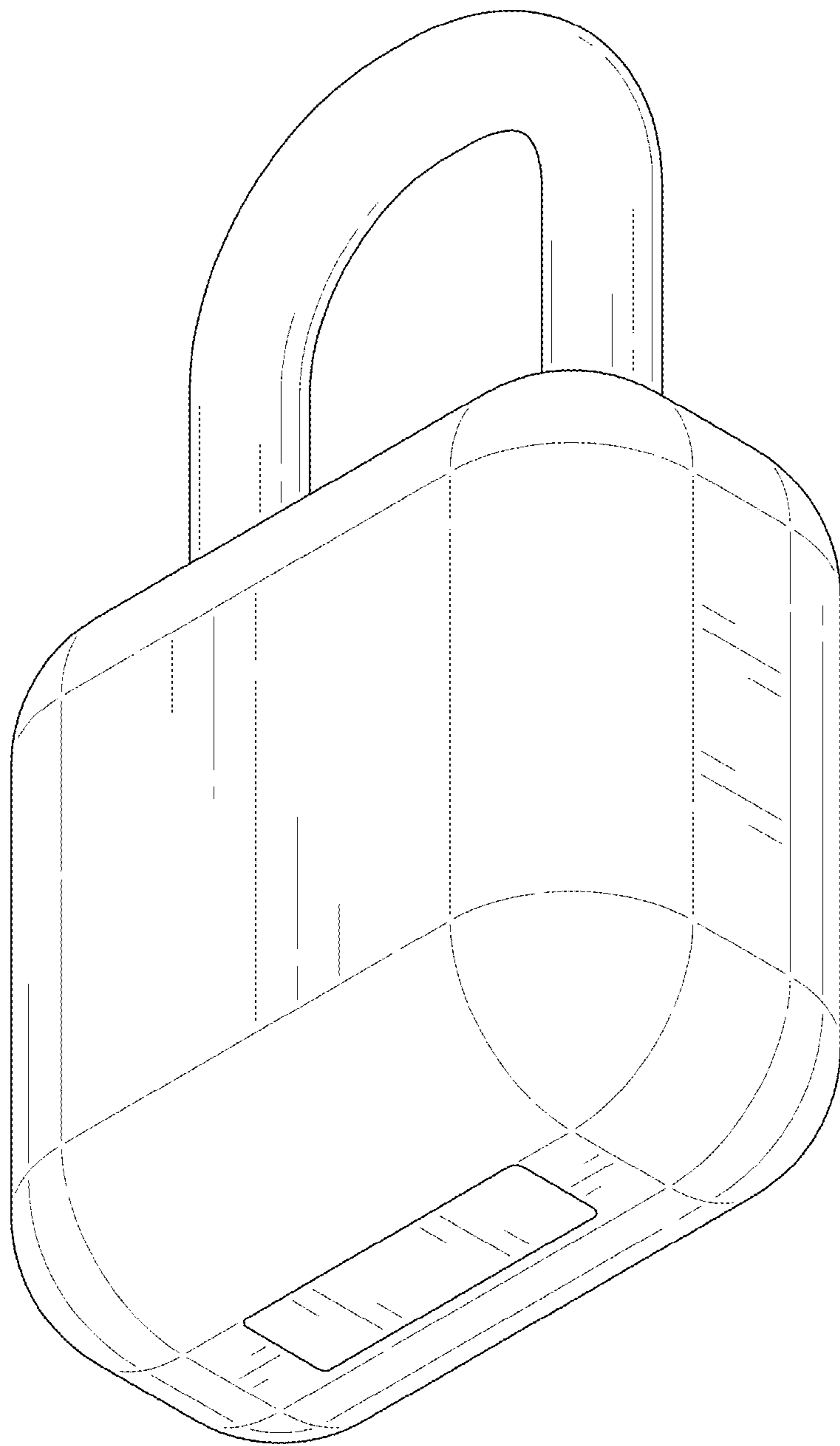


FIG. 2

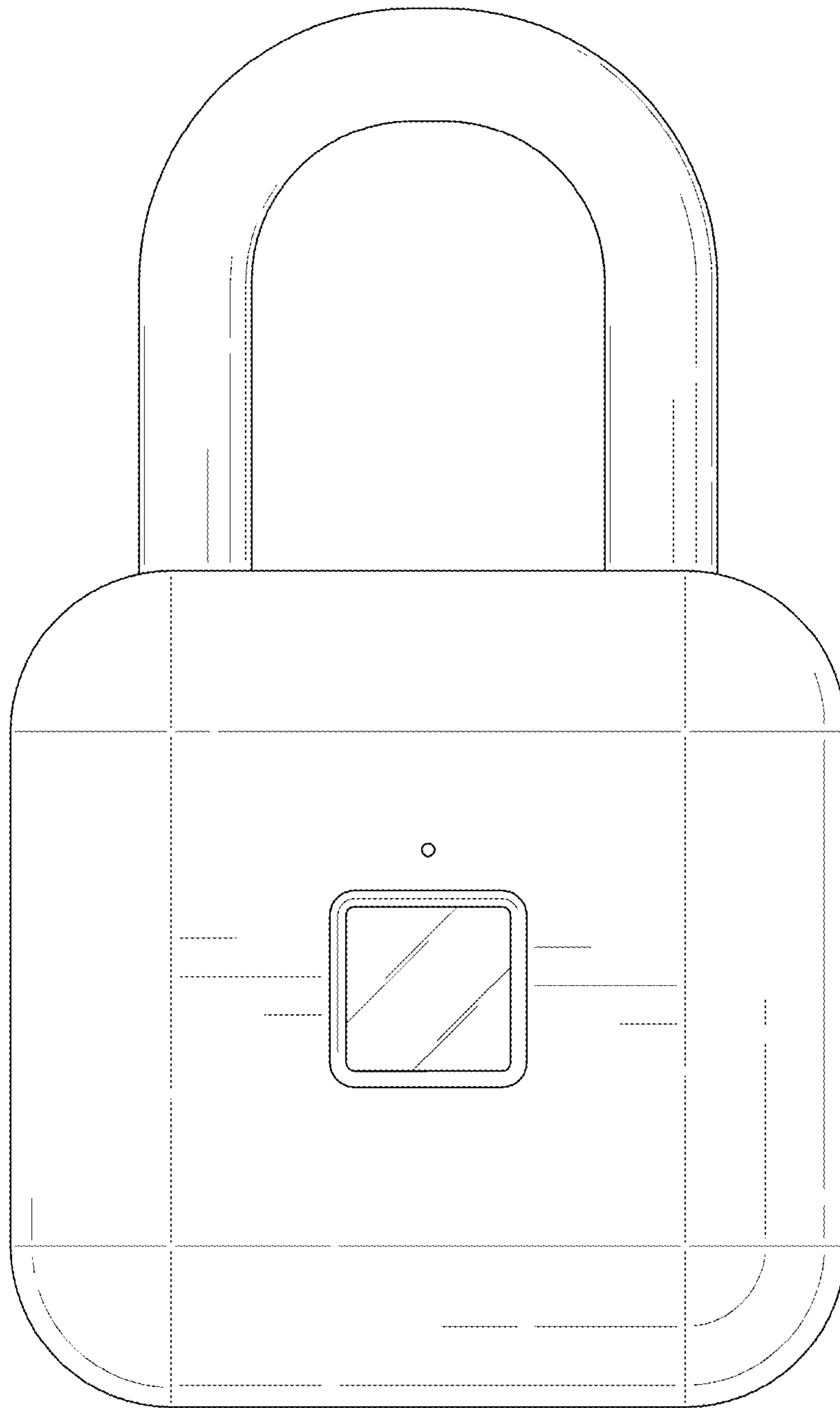


FIG. 3

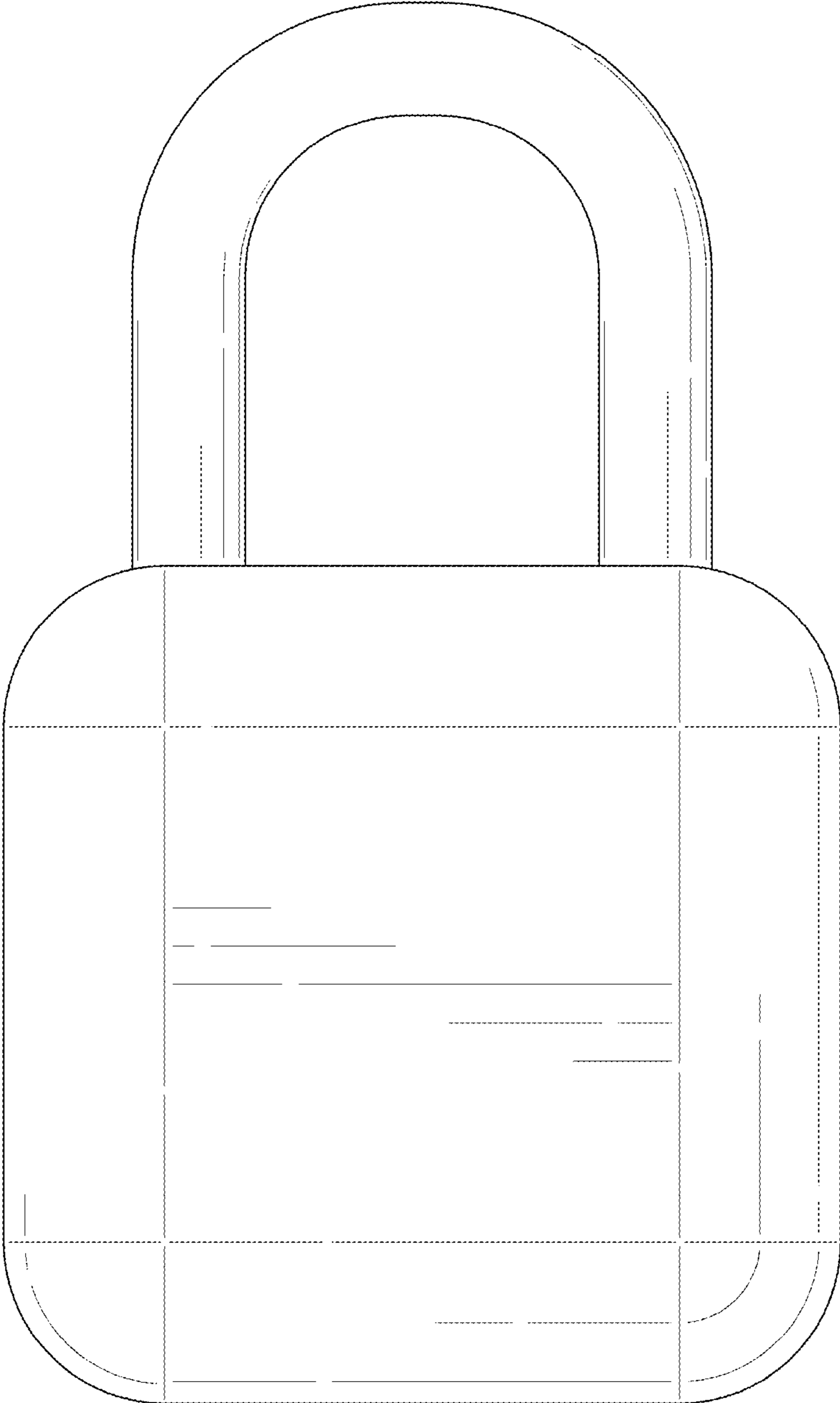


FIG. 4

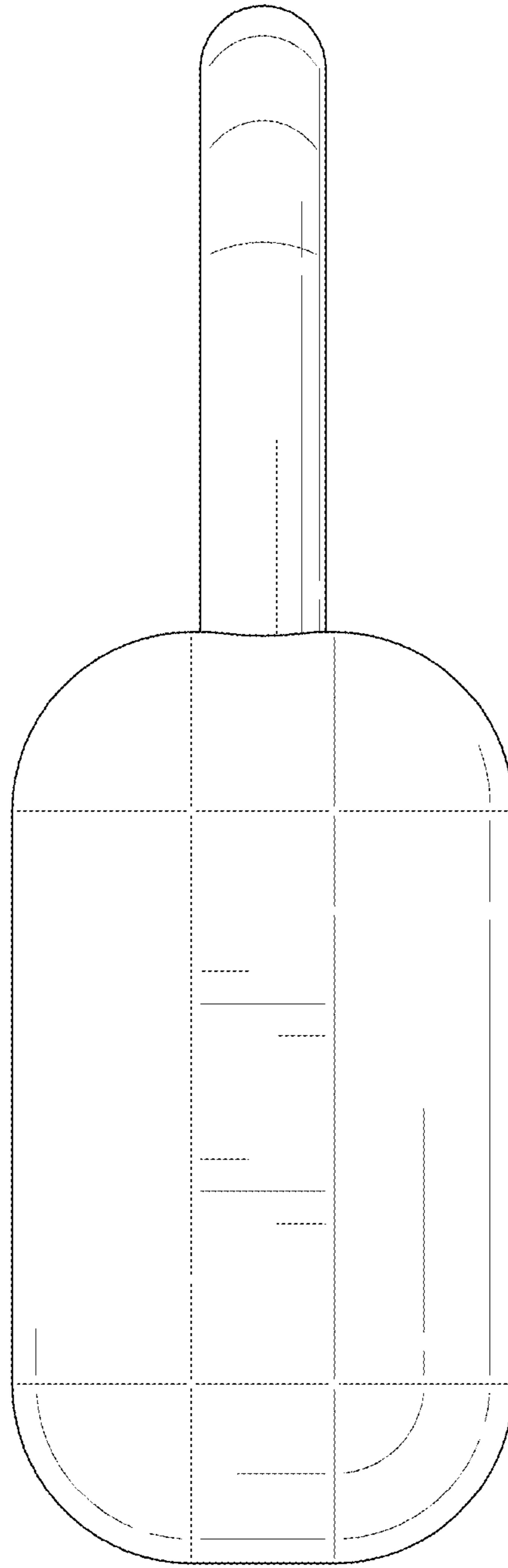


FIG. 5

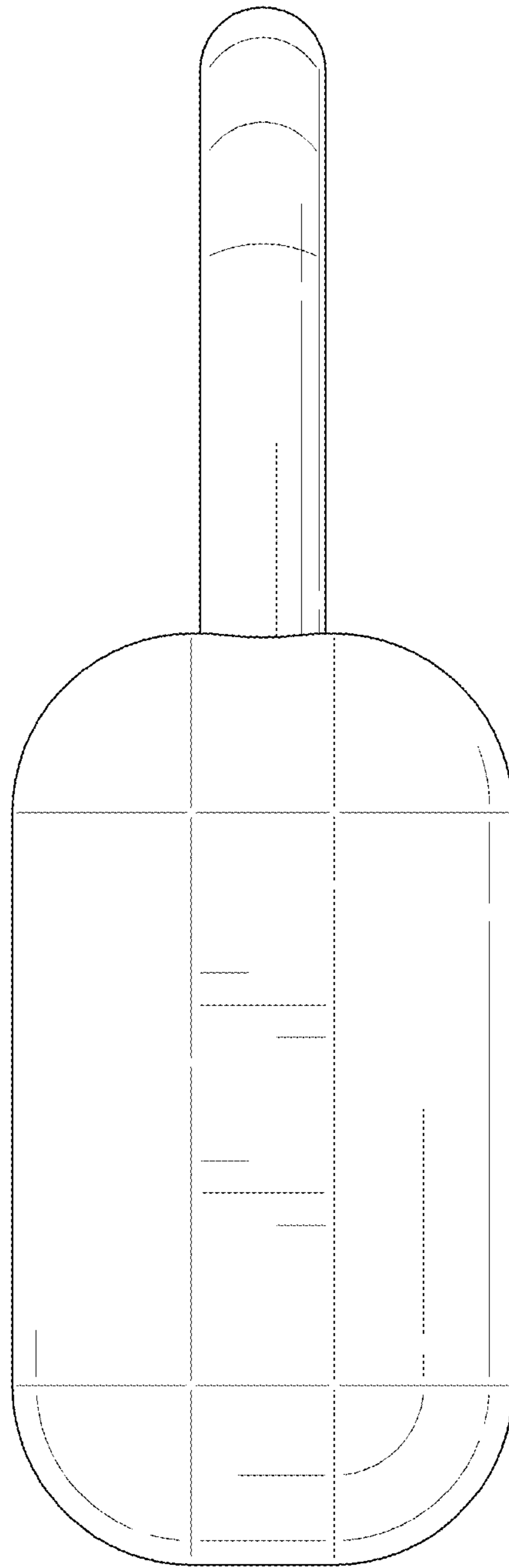


FIG. 6

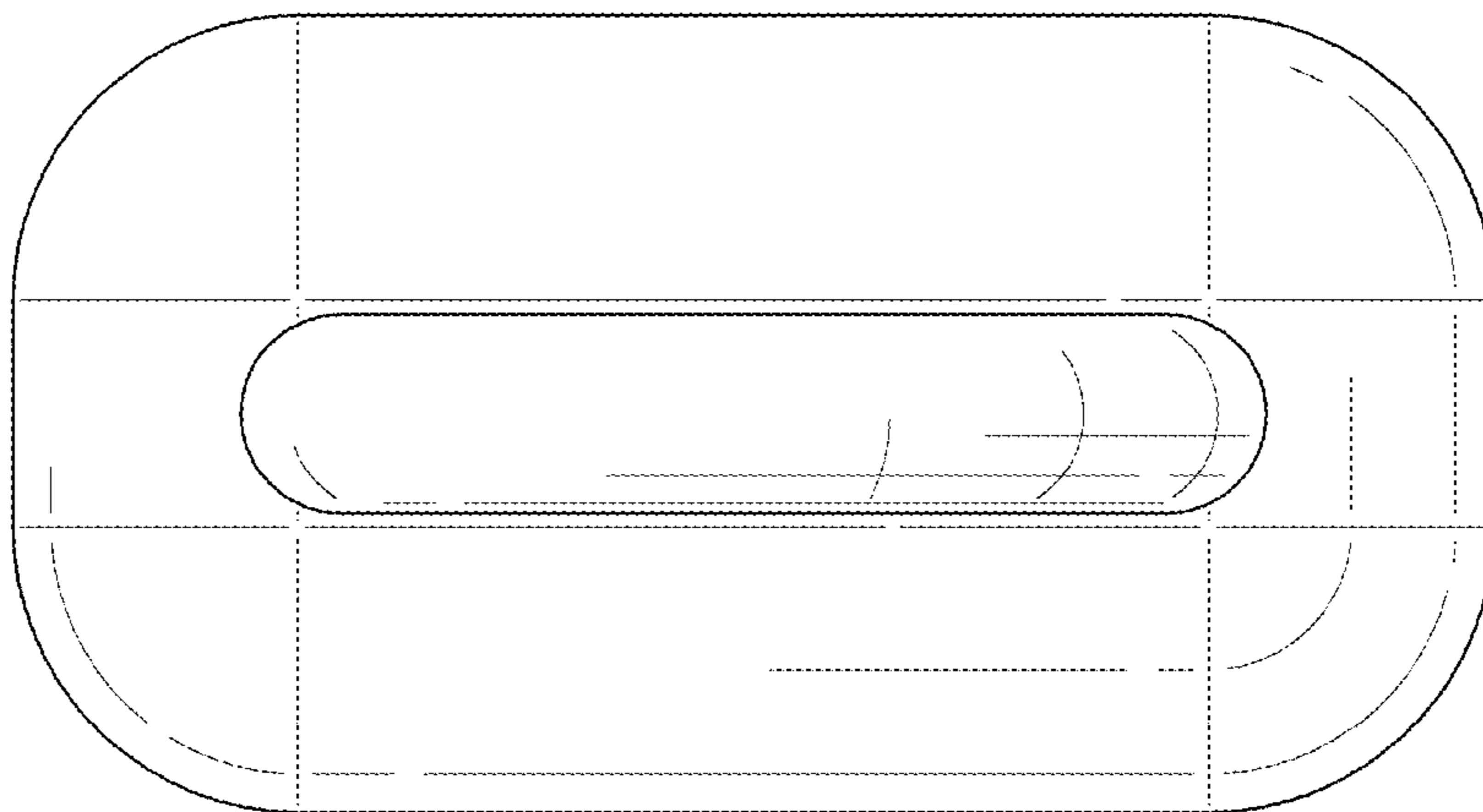


FIG. 7

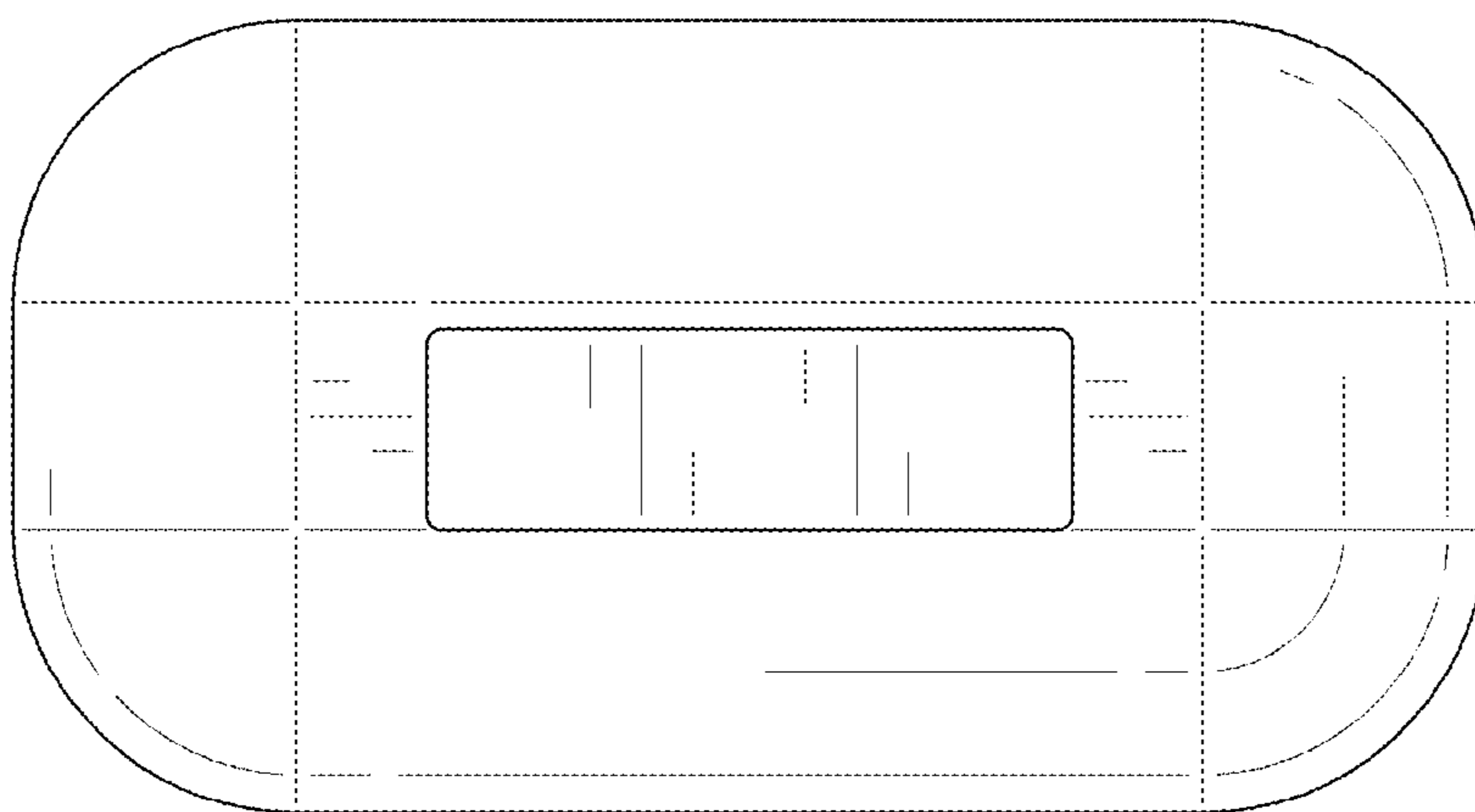


FIG. 8