



US00D860759S

(12) **United States Design Patent**  
**Chen**

(10) **Patent No.:** **US D860,759 S**

(45) **Date of Patent:** **\*\* \*Sep. 24, 2019**

(54) **DOOR WITH ELECTRONIC LOCK FOR SAFE**

(71) Applicant: **TIGOREX HOSPITALITY COMPANY LIMITED**, Hong Kong (CN)

(72) Inventor: **Jiayan Chen**, Zhejiang (CN)

(73) Assignee: **TIGOREX HOSPITALITY COMPANY LIMITED.**, Hong Kong (CN)

(\*) Notice: This patent is subject to a terminal disclaimer.

(\*\*) Term: **15 Years**

(21) Appl. No.: **29/644,152**

(22) Filed: **Apr. 16, 2018**

(30) **Foreign Application Priority Data**

Feb. 13, 2018 (CN) ..... 2018 3 0069773

(51) **LOC (12) Cl.** ..... **08-07**

(52) **U.S. Cl.**  
USPC ..... **D8/334**

(58) **Field of Classification Search**  
CPC ... E05B 17/22; E05B 9/00; E05B 9/02; E05B 47/00; E05B 49/00; E05B 37/00; E05B 1/00; E05B 47/0692; E05B 63/044; E05B 15/02; B65D 55/14; H01H 9/00  
See application file for complete search history.

(56) **References Cited**

**U.S. PATENT DOCUMENTS**

4,669,394 A \* 6/1987 Fogleman ..... E05G 1/02  
109/59 T  
D485,960 S \* 1/2004 Paris ..... D99/43

D498,895 S \* 11/2004 Lynch ..... D99/28  
D557,875 S \* 12/2007 Stuhlberg ..... D99/28  
D664,325 S \* 7/2012 Hunt ..... D99/43  
D758,690 S \* 6/2016 Miller ..... D99/28  
D802,396 S \* 11/2017 Hsu ..... D8/330  
D820,065 S \* 6/2018 Chen ..... D8/334  
D820,066 S \* 6/2018 Chen ..... D8/334  
D837,033 S \* 1/2019 Han ..... D8/331  
2016/0186465 A1 \* 6/2016 Nelson ..... E05B 17/10  
220/210  
2018/0155960 A1 \* 6/2018 Lowe ..... E05B 49/00

\* cited by examiner

*Primary Examiner* — Ian Simmons

*Assistant Examiner* — Yolanda Robinson

(74) *Attorney, Agent, or Firm* — JCIPRNET

(57) **CLAIM**

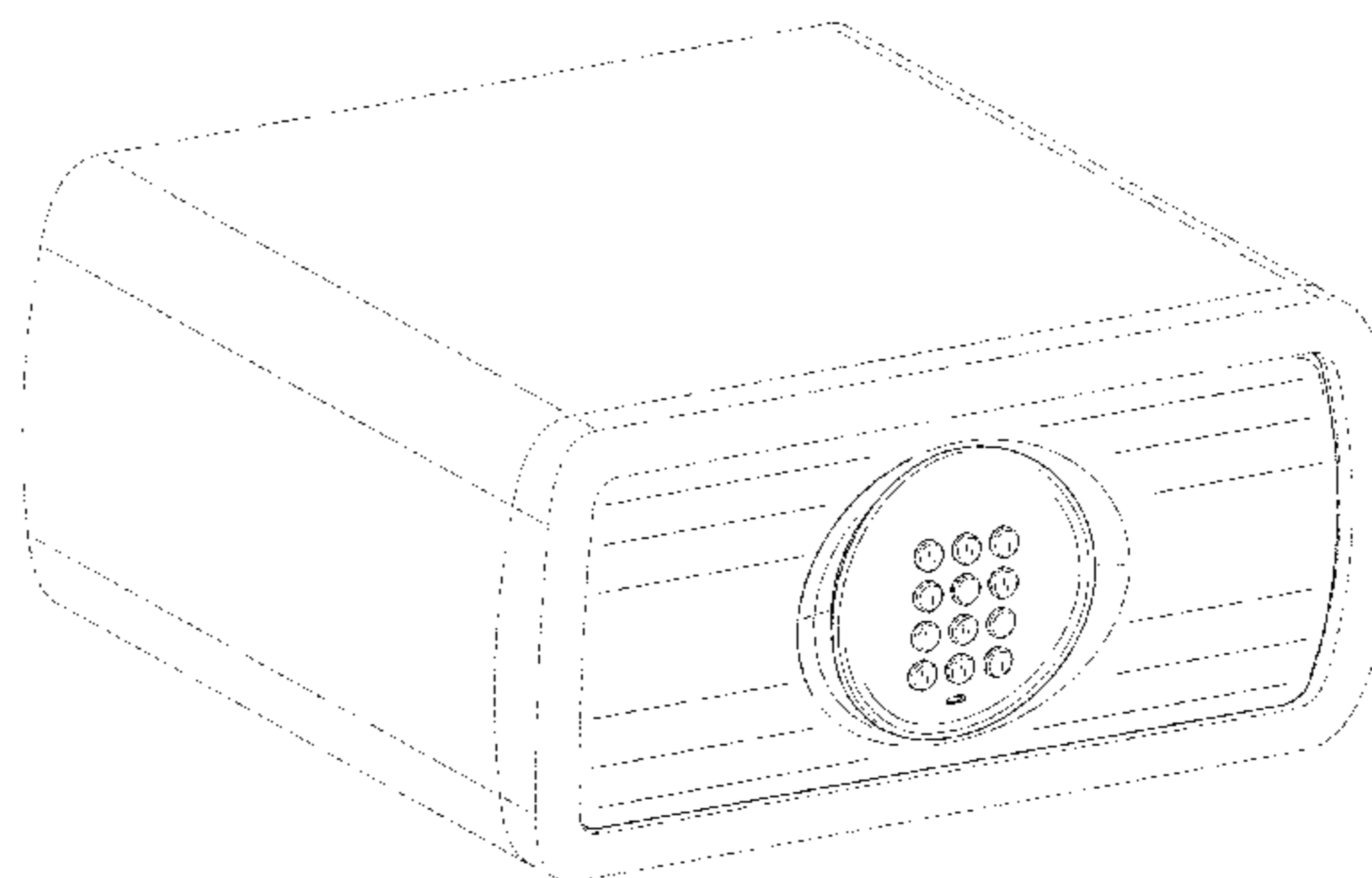
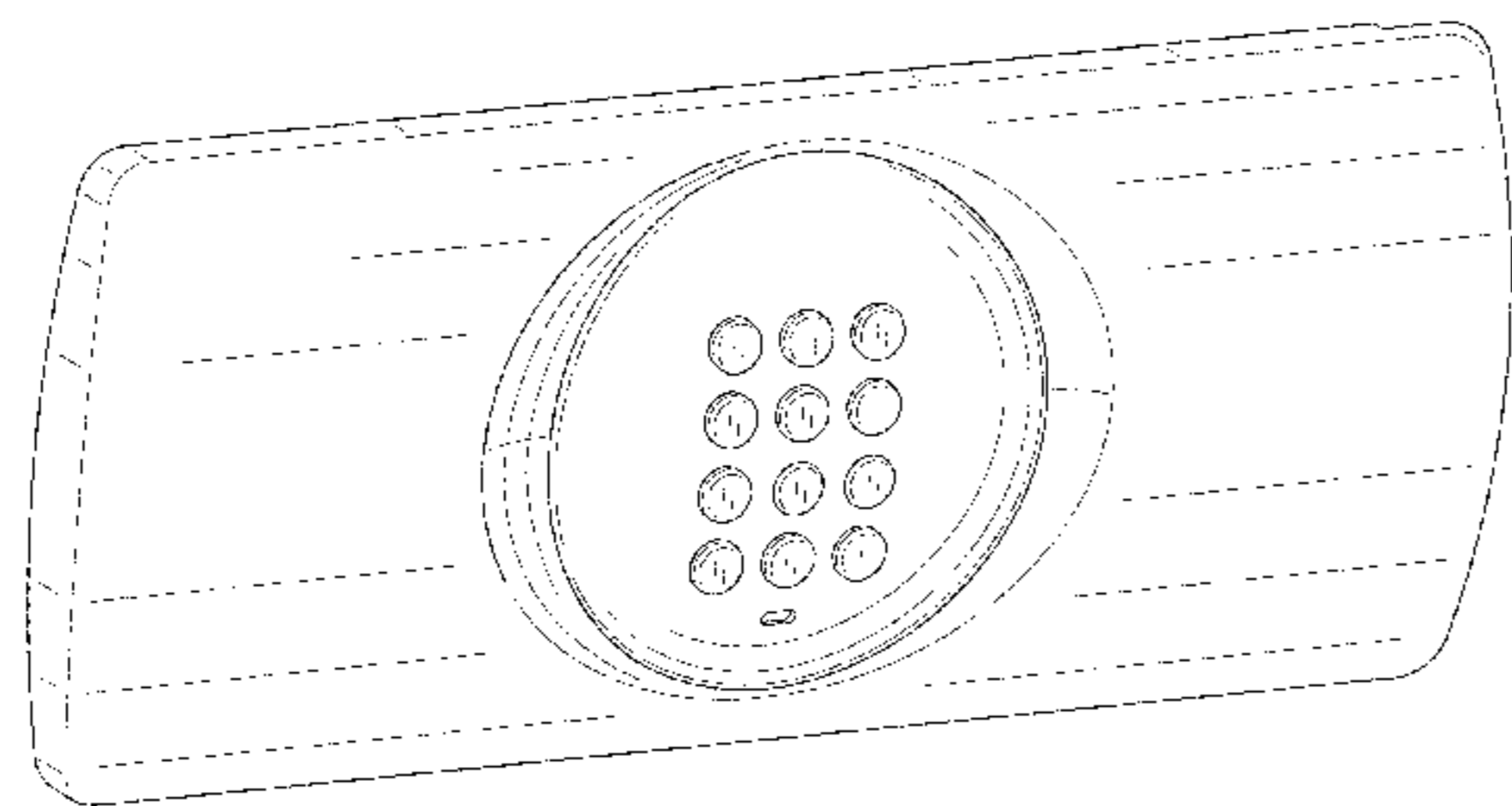
The ornamental design for a door with electronic lock for safe, as shown and described.

**DESCRIPTION**

FIG. 1 is a perspective view of a door with electronic lock for safe showing my new design;  
FIG. 2 is a front view thereof;  
FIG. 3 is a left side view thereof;  
FIG. 4 is a right side view thereof;  
FIG. 5 is a top view thereof;  
FIG. 6 is a bottom view thereof; and,  
FIG. 7 is another perspective view thereof, being mounted to a body of a safe.

A rear view thereof is omitted since it does not contain ornamental features. The dashed lines showing of the body of the safe in FIG. 7 illustrate environmental structure and form no part of the claimed design.

**1 Claim, 5 Drawing Sheets**



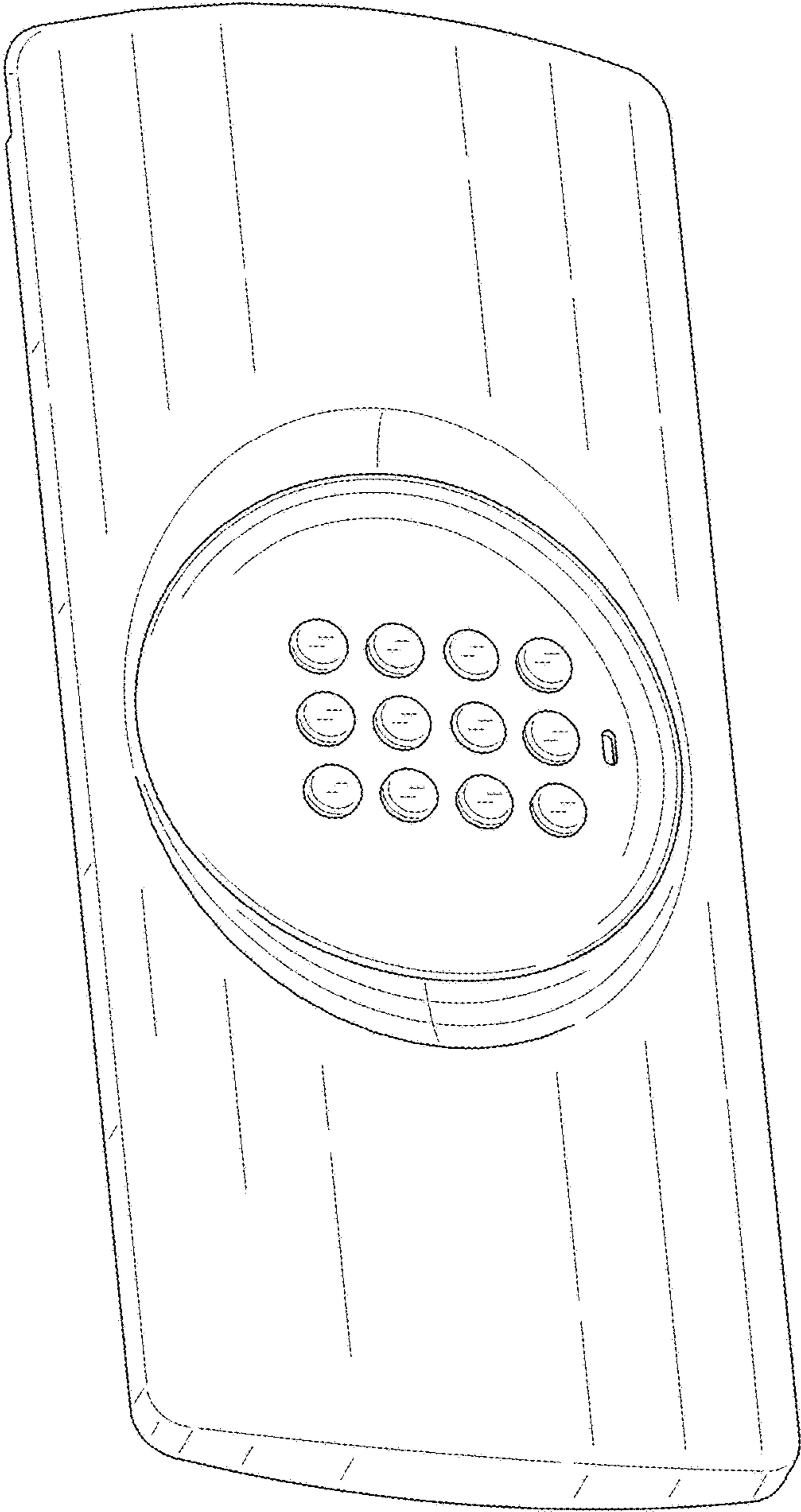


FIG. 1

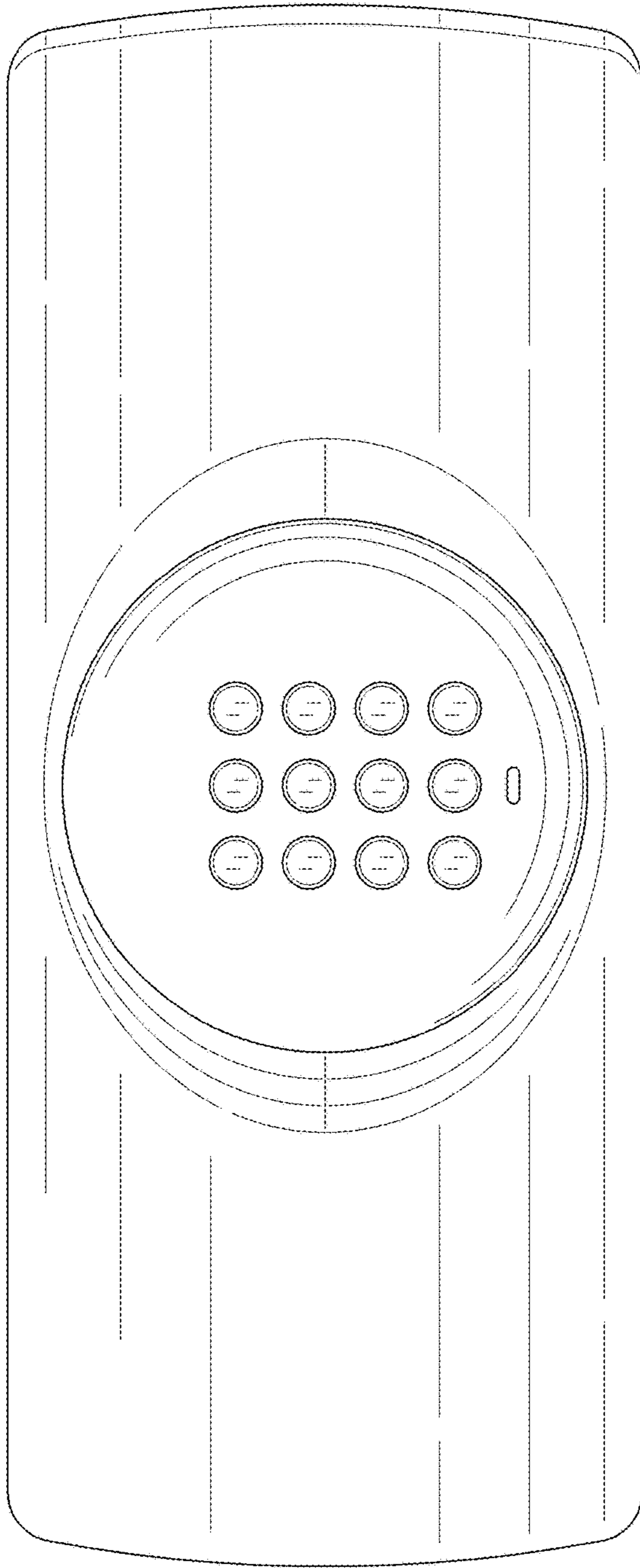


FIG. 2

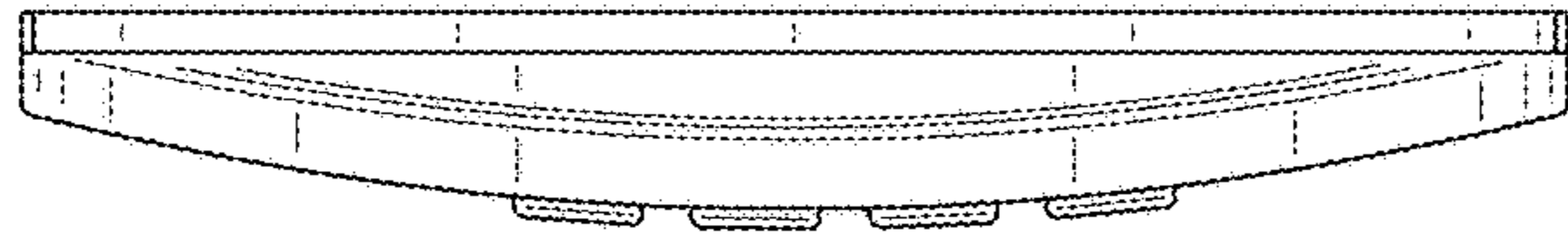


FIG. 4

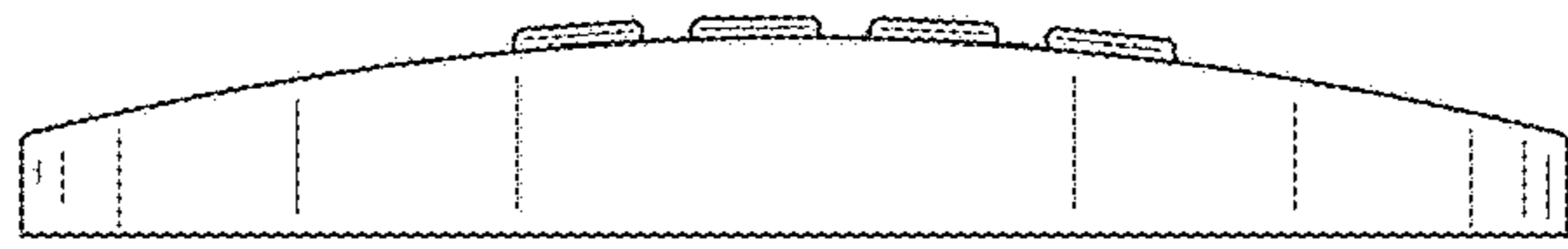


FIG. 3

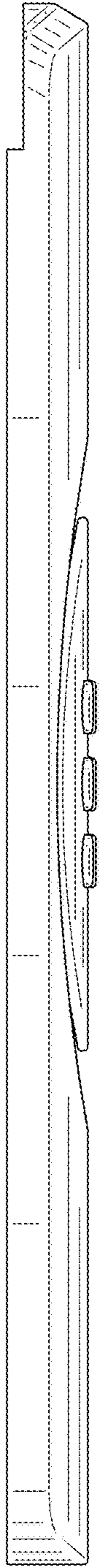


FIG. 5

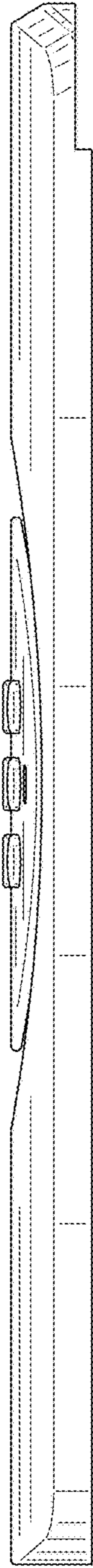


FIG. 6

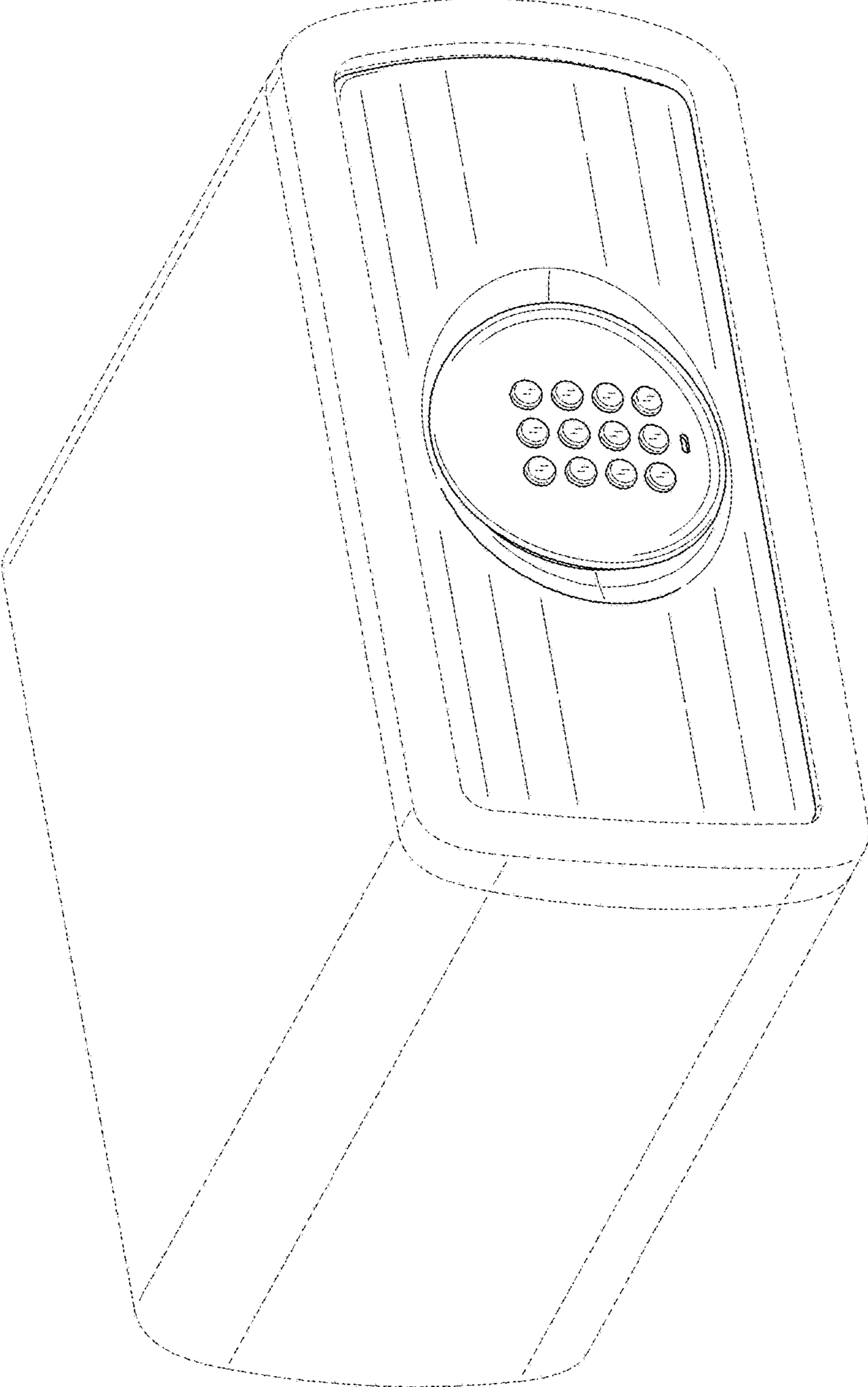


FIG. 7