



US00D860757S

(12) **United States Design Patent**
Kim et al.

(10) **Patent No.:** **US D860,757 S**
(45) **Date of Patent:** **** Sep. 24, 2019**

- (54) **OVEN KNOB**
- (71) Applicant: **SAMSUNG ELECTRONICS CO., LTD.**, Suwon-si (KR)
- (72) Inventors: **Hyunsoo Kim**, Seongnam-si (KR); **Hwanwoong Choi**, Seoul (KR)
- (73) Assignee: **SAMSUNG ELECTRONICS CO., LTD.**, Gyeonggi-Do (KR)

D703,998 S * 5/2014 Funnell, II D7/393
 D766,697 S * 9/2016 Vergin D8/311
 D779,303 S * 2/2017 Shoemaker D8/311
 (Continued)

FOREIGN PATENT DOCUMENTS

EM 0031113350003 5/2016
 EM D0912660003 7/2016
 (Continued)

- (**) Term: **15 Years**
- (21) Appl. No.: **29/650,008**
- (22) Filed: **Jun. 4, 2018**

OTHER PUBLICATIONS

316544001 for Frigidaire Range Control Knob,(Copyright 1995-2018), pp. 1-3, Retrieved from the Internet Jun. 4, 2018 <URL:https://www.ebay.com/p/316544001-for-Frigidaire-Range-Control-Knob/28012035449?id=122885261436&_trksid=p2047675.m4096.I9055>.

(Continued)

(30) **Foreign Application Priority Data**

Feb. 19, 2018 (KR) 30-2018-0008271

- (51) **LOC (12) Cl.** **08-06**
- (52) **U.S. Cl.**
USPC **D8/311**

Primary Examiner — Lauren R Calve
 (74) *Attorney, Agent, or Firm* — Cantor Colburn LLP

- (58) **Field of Classification Search**
USPC D8/107, 300, 301, 307, 310, 311, 312;
D10/102; D23/250, 421; D7/393, 394,
D7/396, 543, 545, 547, 548
CPC ... Y10T 292/57; Y10T 292/82; Y10T 16/469;
Y10T 16/44; Y10T 16/476; Y10T
74/2084; Y10T 292/85; Y10T 74/2087;
Y10T 16/4713; Y10T 16/506; Y10T
74/20876; Y10T 74/20612; Y10T
70/5765; Y10T 16/459; Y10T 74/2066;
Y10T 16/487; Y10T 74/20822

(57) **CLAIM**

The ornamental design for an oven knob, as shown and described.

See application file for complete search history.

DESCRIPTION

FIG. 1 is a front perspective view of an oven knob, showing our new design;
 FIG. 2 is a front view thereof;
 FIG. 3 is a rear view thereof;
 FIG. 4 is a left side view thereof;
 FIG. 5 is a right side view thereof;
 FIG. 6 is a top view thereof;
 FIG. 7 is a bottom view thereof; and,
 FIG. 8 is a cross sectional view taken along line 8-8 of FIG. 2.

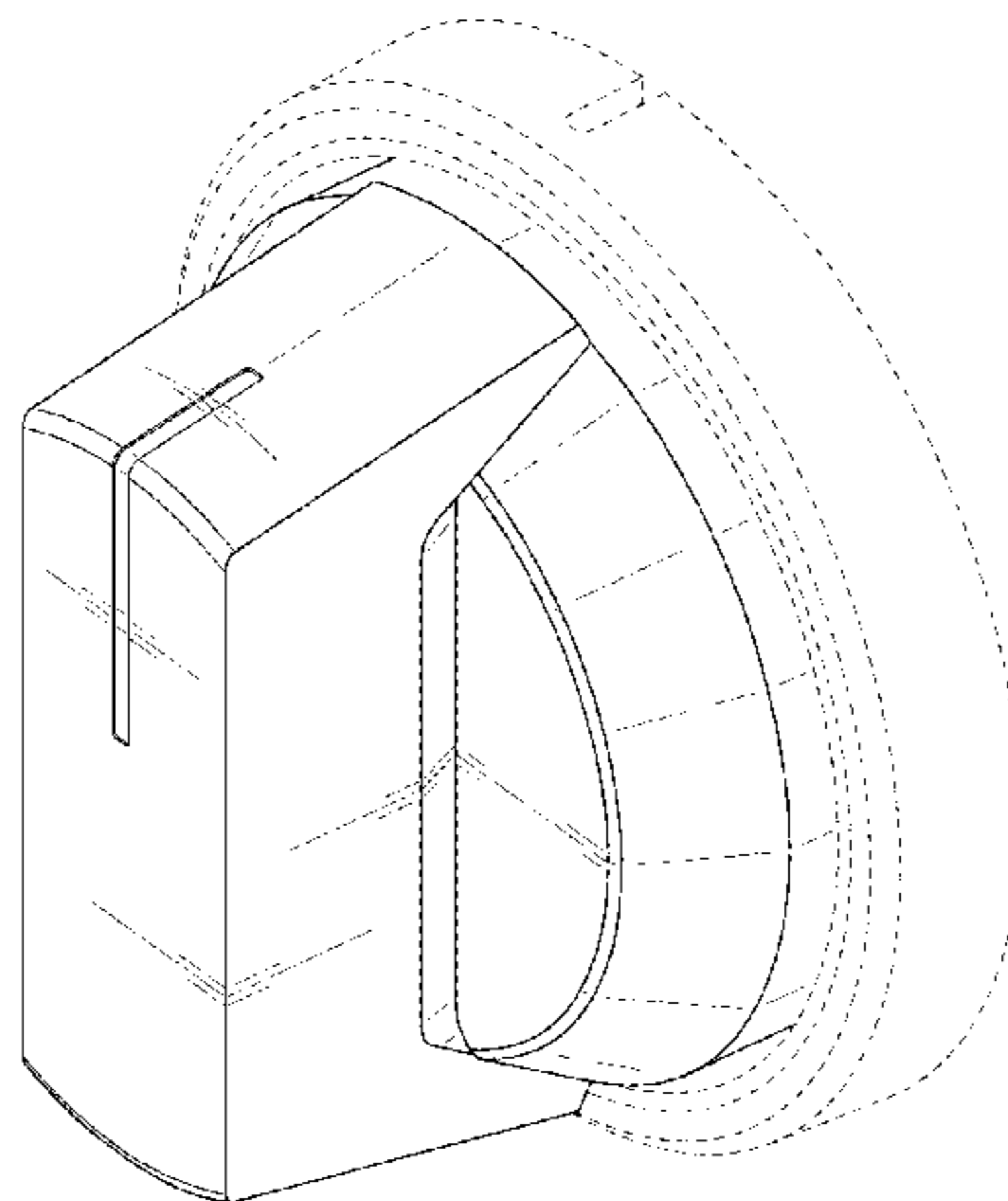
The broken lines depict portions of the oven knob and environmental structure that form no part of the claimed design.

(56) **References Cited**

U.S. PATENT DOCUMENTS

D498,657 S * 11/2004 Milrud D8/311
 D612,705 S * 3/2010 Baker D8/311
 D634,156 S * 3/2011 Fuller D7/393
 D634,602 S * 3/2011 Bengtson D8/311
 D637,886 S * 5/2011 Bengtson D8/311

1 Claim, 8 Drawing Sheets



(56)

References Cited

U.S. PATENT DOCUMENTS

D793,199 S * 8/2017 Nilssen D8/311
 D808,243 S * 1/2018 Clements D8/311
 D808,767 S * 1/2018 Kim D8/311
 D817,145 S * 5/2018 Kim D8/311
 D824,236 S * 7/2018 Chintis D8/311
 D824,744 S * 8/2018 Ortner D8/311
 D833,251 S * 11/2018 Hall D8/311
 D840,210 S * 2/2019 Kim D8/311
 D845,107 S * 4/2019 Johnson D8/312
 2010/0294632 A1 * 11/2010 Reddering G05G 1/08
 200/11 R
 2011/0072932 A1 * 3/2011 O'Keefe B60K 37/06
 74/504
 2012/0305820 A1 * 12/2012 Bollman F24C 3/126
 251/213

FOREIGN PATENT DOCUMENTS

EM DM094714 11/2016
 KR 300343356 1/2004

KR 300362580 9/2004
 KR 300430562 11/2006
 KR 300716797 11/2013

OTHER PUBLICATIONS

Frigidaire 316353105 Range/Stove/Oven Control Knob,(Copyright 1995-2018), pp. 1-2, Retrieved from the Internet Jun. 4, 2018 <URL:https://www.ebay.com/itm/Frigidaire-316353105-Range-Stove-Oven-Control-Knob/173043601130?epid=3011743008&hash=item284a33ceea:g:JLEAAOSwevdaOzAn>.
 Whirlpool W10339442 Knob,(Copyright 1996-2018), pp. 1-7, Retrieved from the Internet Jun. 4, 2018 <URL:https://www.amazon.com/Whirlpool-W10339442-Knob/dp/B0156NFANC/ref=sr_1_7?ie=UTF8&qid=1517447186&sr=8-7&keywords=whirlpool+range>.

* cited by examiner

FIG. 1

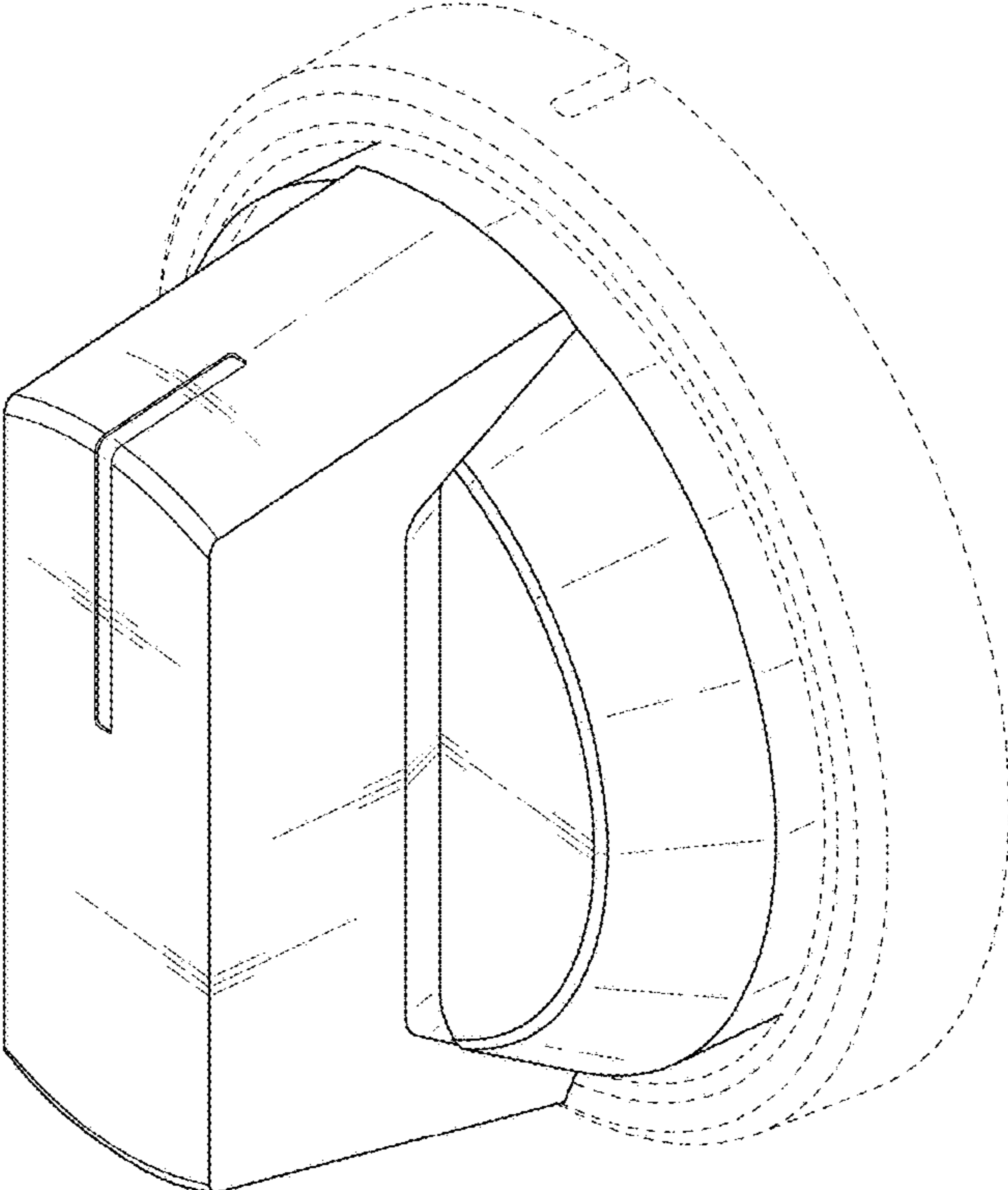


FIG. 2

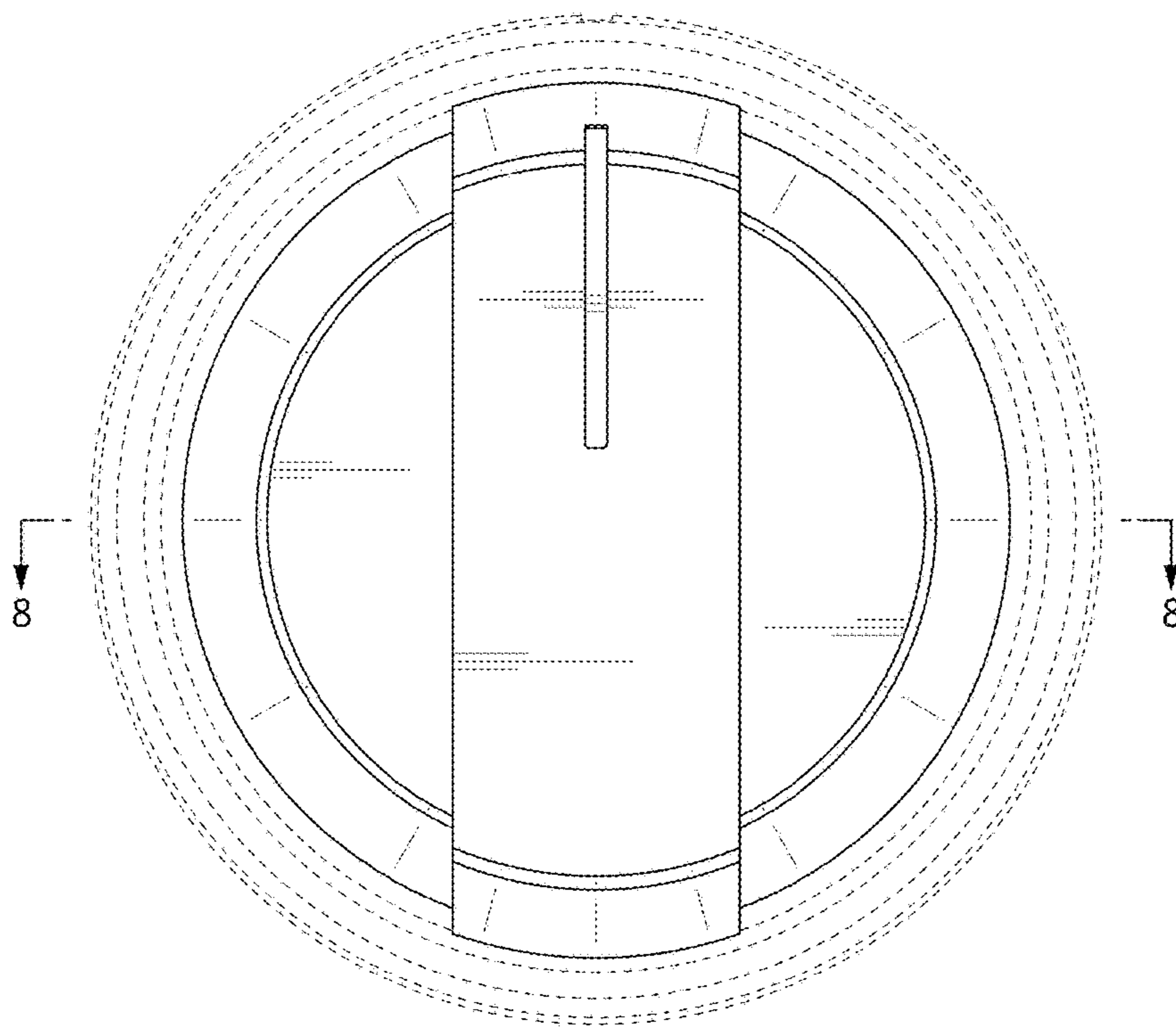


FIG. 3

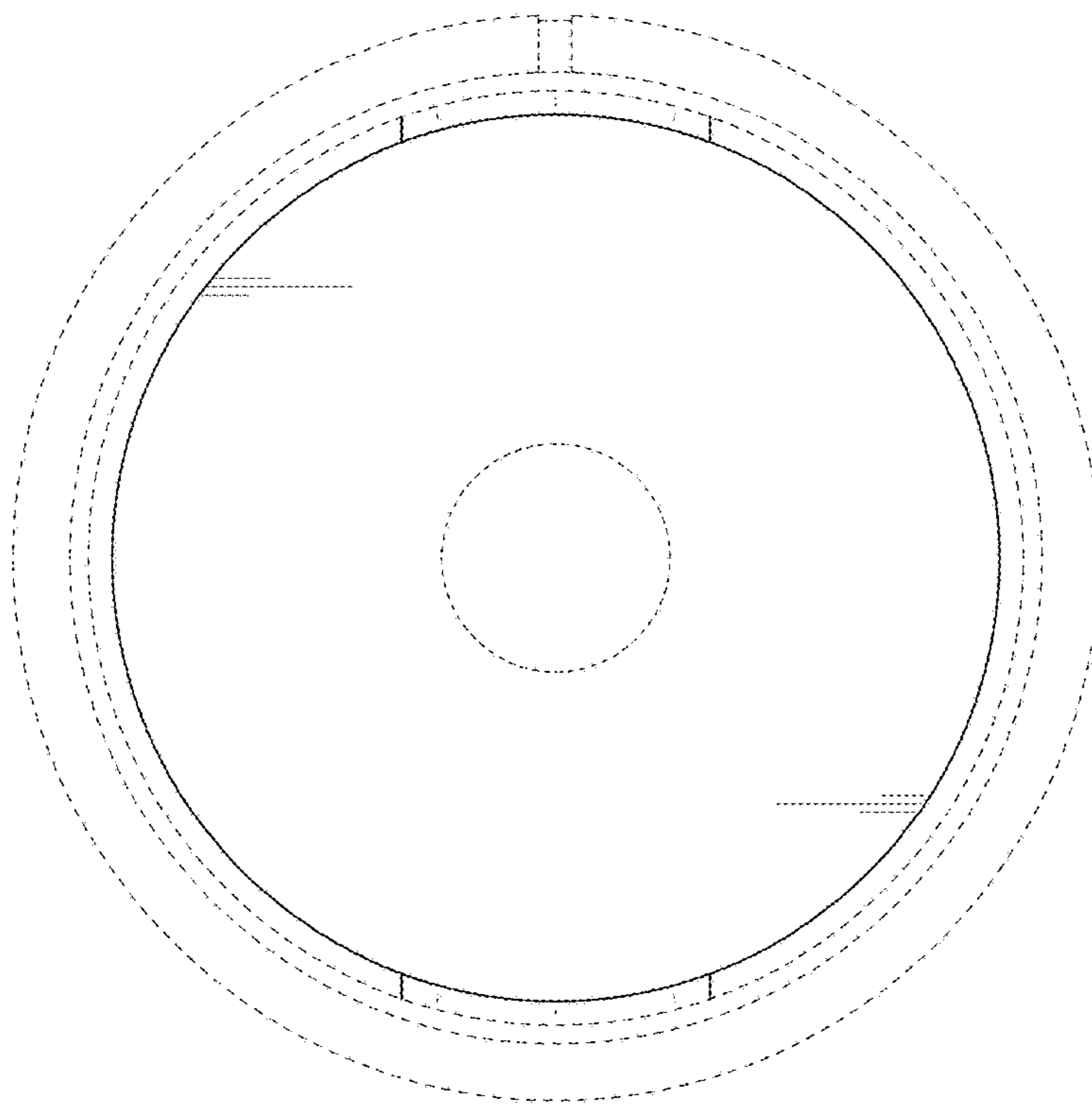


FIG. 4

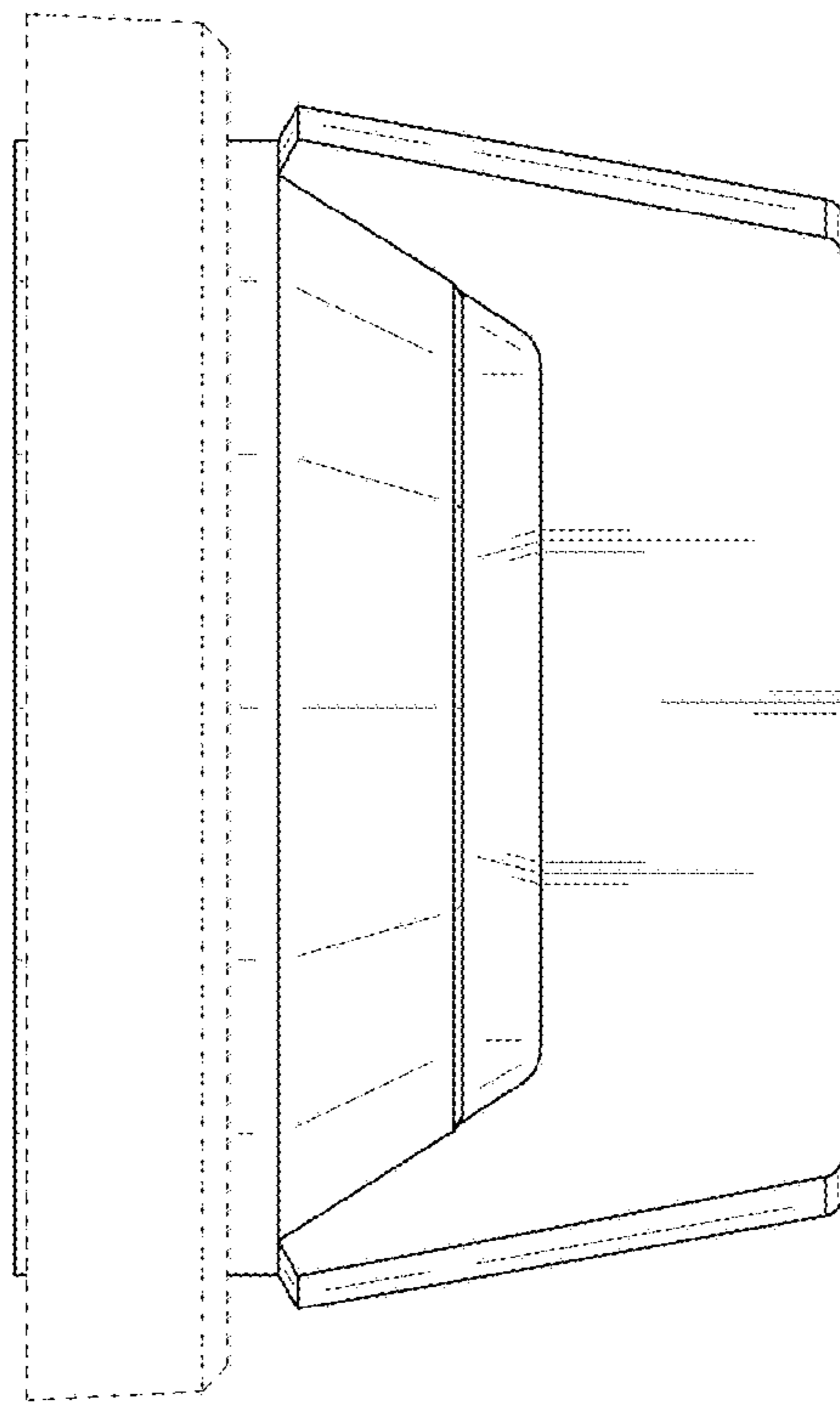


FIG. 5

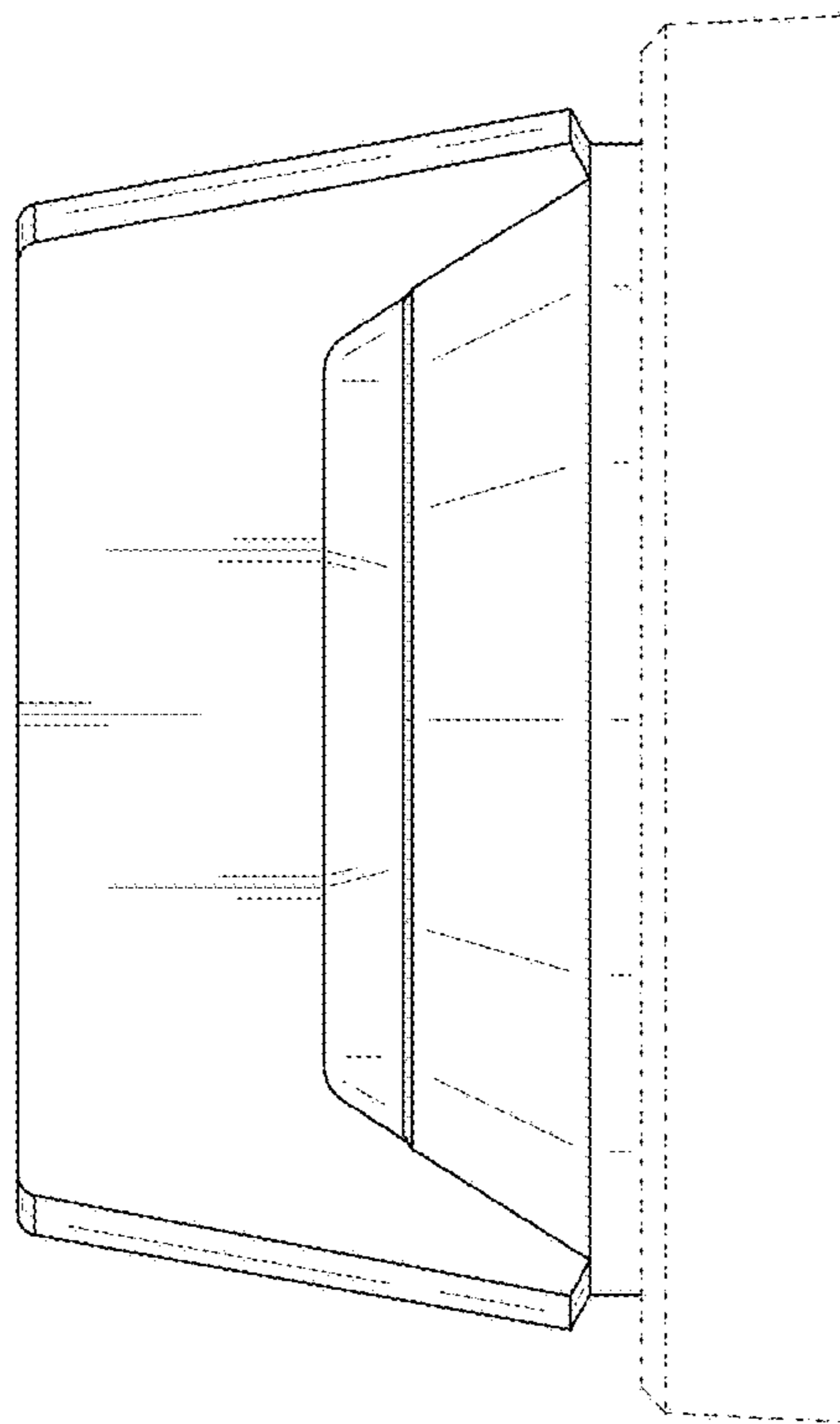


FIG. 6

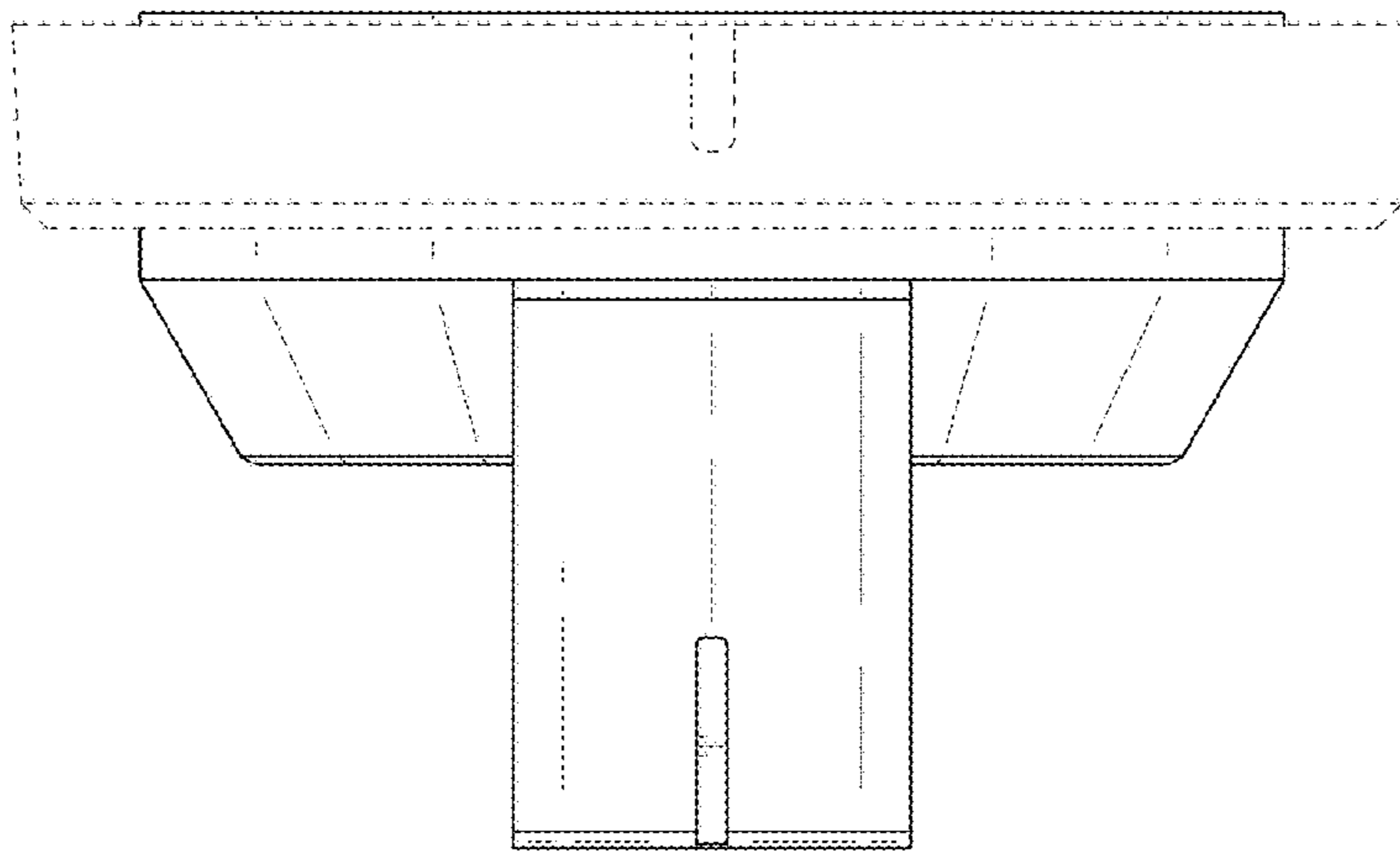


FIG. 7

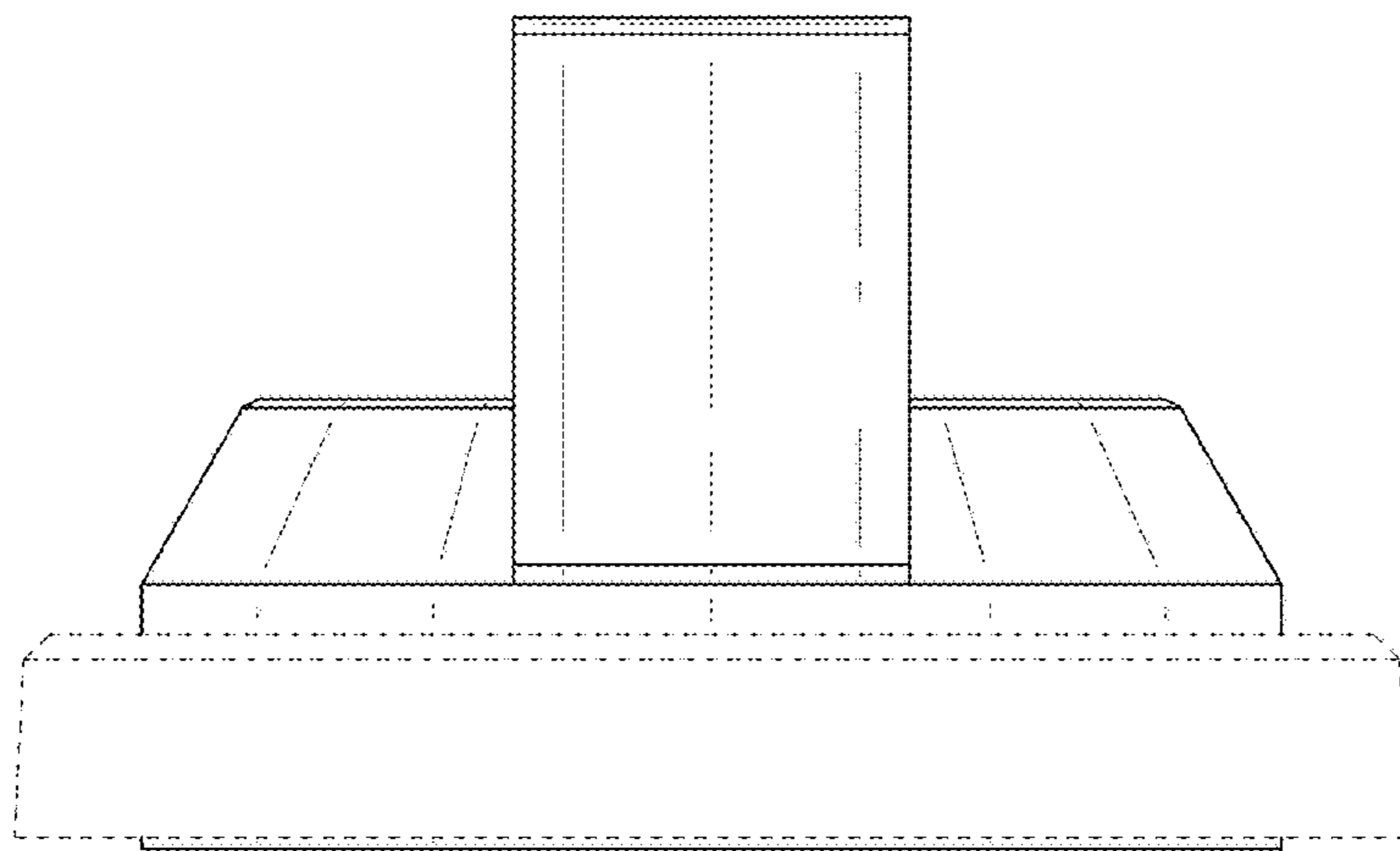


FIG. 8

