

US00D860754S

(12) **United States Design Patent** (10) **Patent No.:** **US D860,754 S**
Chang (45) **Date of Patent:** **** Sep. 24, 2019**

(54) **TOOL HANDLE**
(71) Applicant: **Yi-Fan Chang**, Taichung (TW)
(72) Inventor: **Yi-Fan Chang**, Taichung (TW)
(**) Term: **15 Years**

(21) Appl. No.: **29/644,381**
(22) Filed: **Apr. 17, 2018**

(51) **LOC (12) Cl.** **08-05**
(52) **U.S. Cl.**
USPC **D8/107**

(58) **Field of Classification Search**
USPC ... D8/14, 51, 52, 68, 44, 25, 47, 82, 83, 98,
D8/107, 300, 303; D7/395; D32/46, 49;
D24/146, 147
CPC Y10T 16/44; Y10T 16/498; Y10T 16/47;
Y10T 16/4986; B25F 1/00; B25B 7/00;
B25G 1/10; B25G 1/102
See application file for complete search history.

(56) **References Cited**

U.S. PATENT DOCUMENTS

D416,184 S * 11/1999 Gathmann D8/107
D419,037 S * 1/2000 Gardner D7/672
6,270,134 B1 * 8/2001 Lin B25B 7/00
16/422
D458,880 S * 6/2002 Hallgrimsson D12/179
D520,845 S * 5/2006 Wlaker D8/107
D619,870 S * 7/2010 Garcia D8/107
D623,919 S * 9/2010 Chang D8/107

D623,920 S * 9/2010 Radle D8/107
D652,276 S * 1/2012 Good D8/52
D652,702 S * 1/2012 Demers D8/52
D730,707 S * 6/2015 Reedy D8/52
D804,276 S * 12/2017 Lu D8/323
2018/0029217 A1 * 2/2018 Hoppe B25H 3/006

* cited by examiner

Primary Examiner — Philip S Hyder

(74) *Attorney, Agent, or Firm* — Muncy, Geissler, Olds & Lowe, P.C.

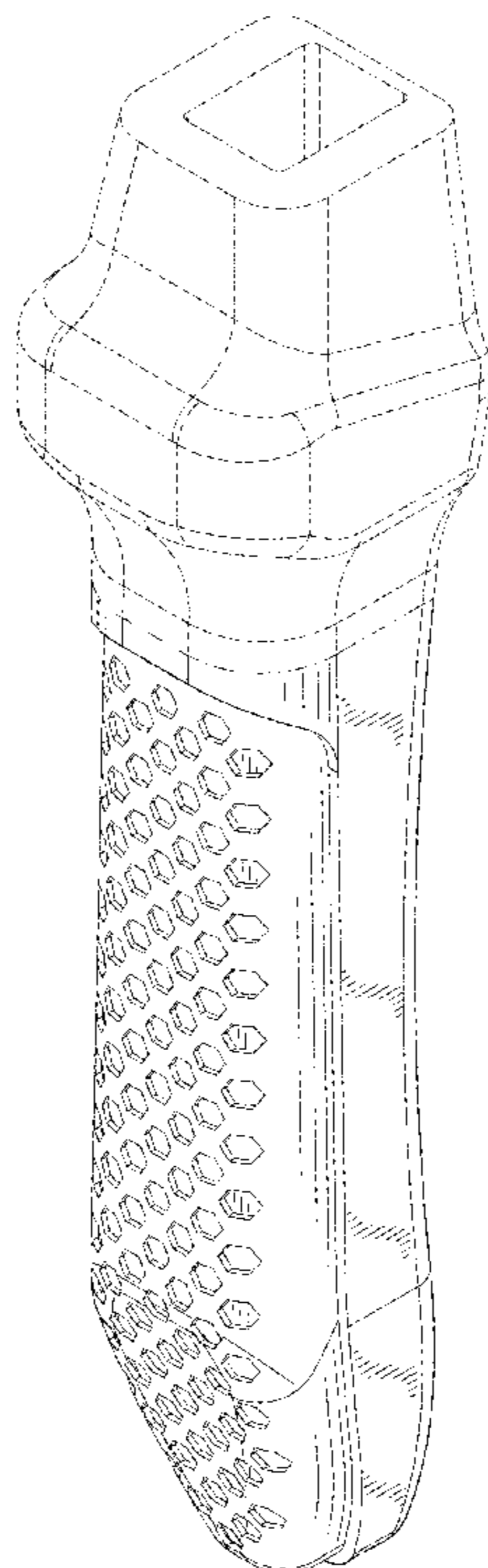
(57) **CLAIM**

I claim the ornamental design for a tool handle, as shown and described.

DESCRIPTION

FIG. 1 is a right, front, and top perspective view of a tool handle showing my new design;
FIG. 2 is a front elevational view thereof;
FIG. 3 is a rear elevational view thereof;
FIG. 4 is a left side view thereof;
FIG. 5 is a right side view thereof;
FIG. 6 is a top plan view thereof;
FIG. 7 is a bottom plan view thereof;
FIG. 8 is a right, front and bottom perspective view thereof;
and,
FIG. 9 is a right, rear, and bottom perspective view.
The broken lines in the drawings illustrate portions of the tool handle which form no part of the claimed design.
The dot dash dot broken lines define the boundaries of the claim and form no part thereof.

1 Claim, 6 Drawing Sheets



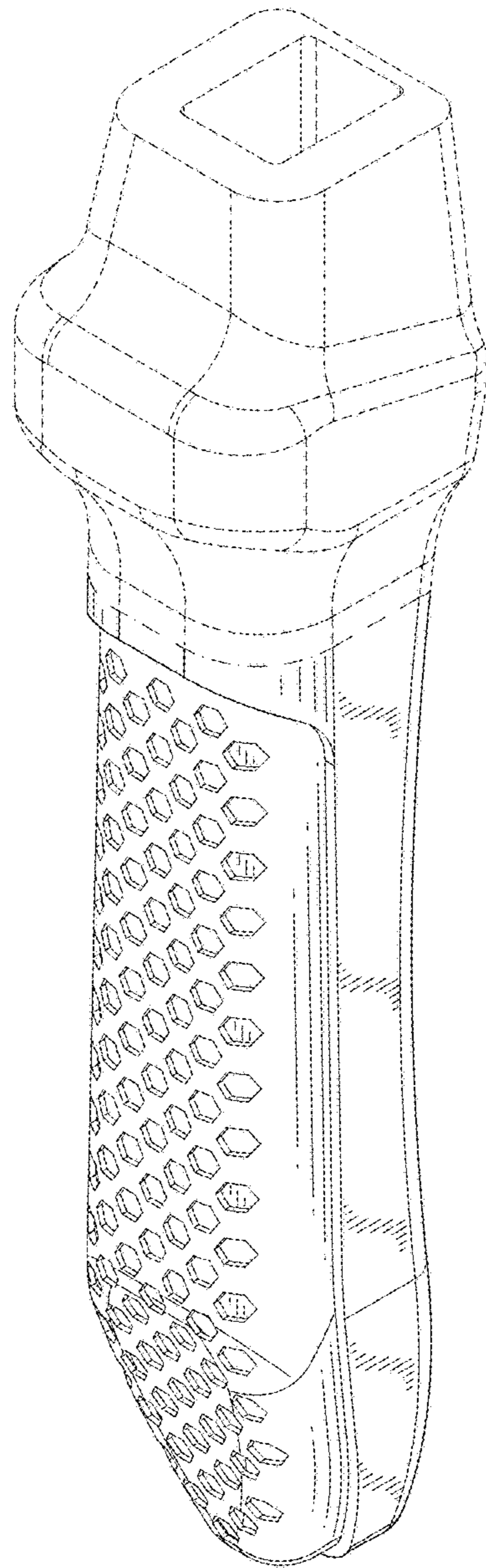


FIG. 1

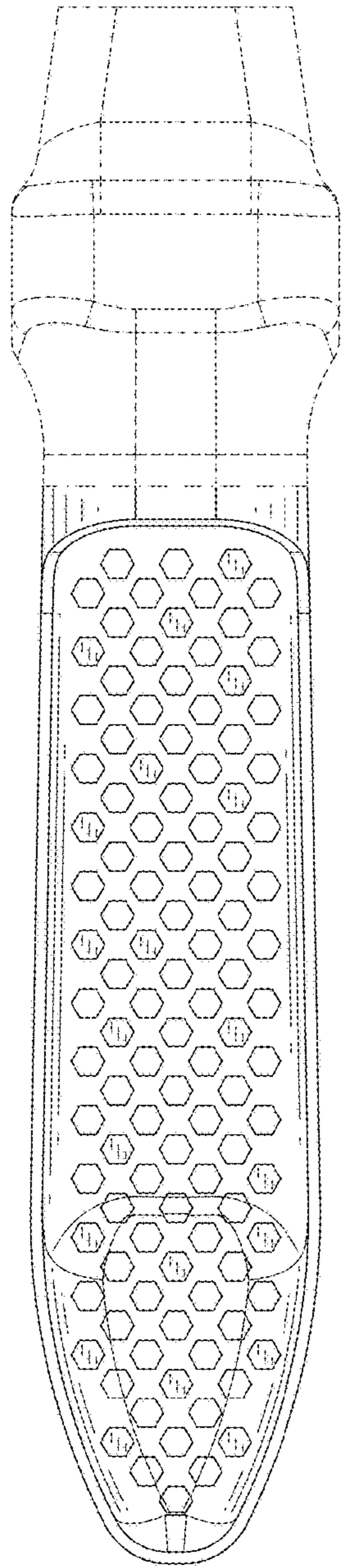


FIG. 2

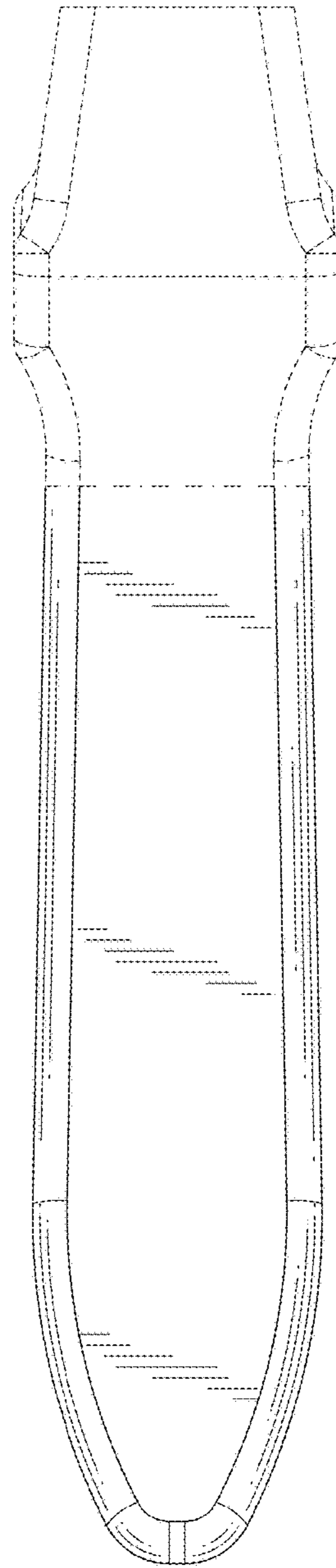


FIG. 3

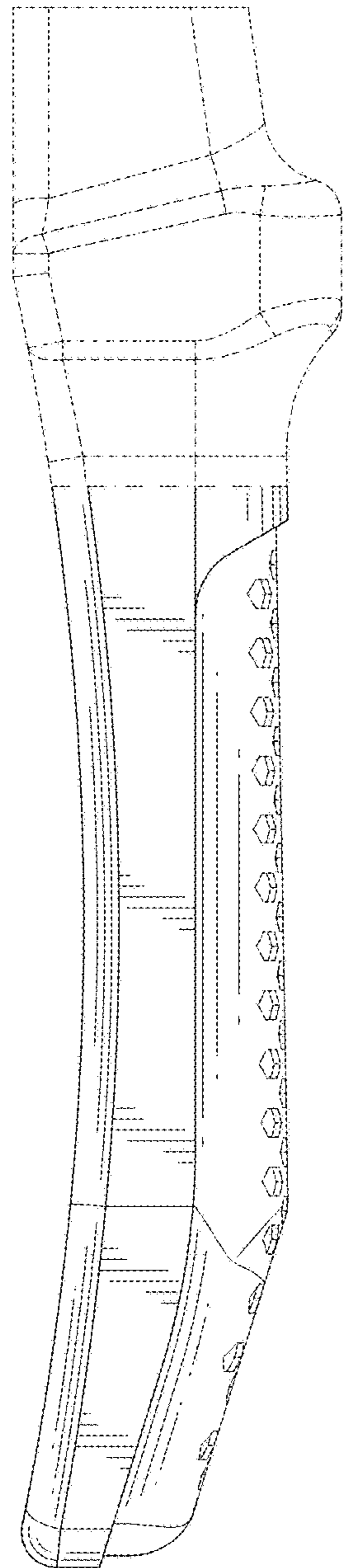


FIG. 4

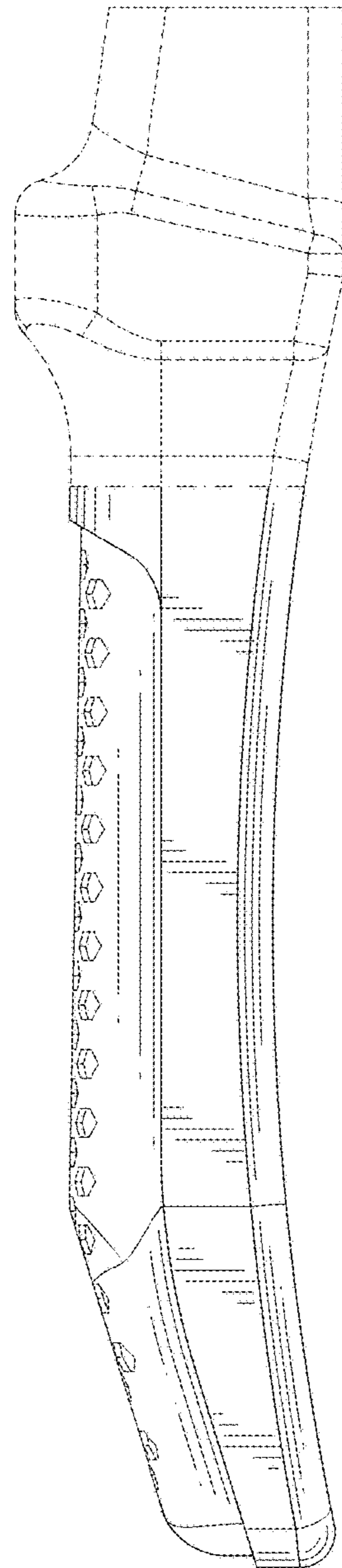


FIG. 5

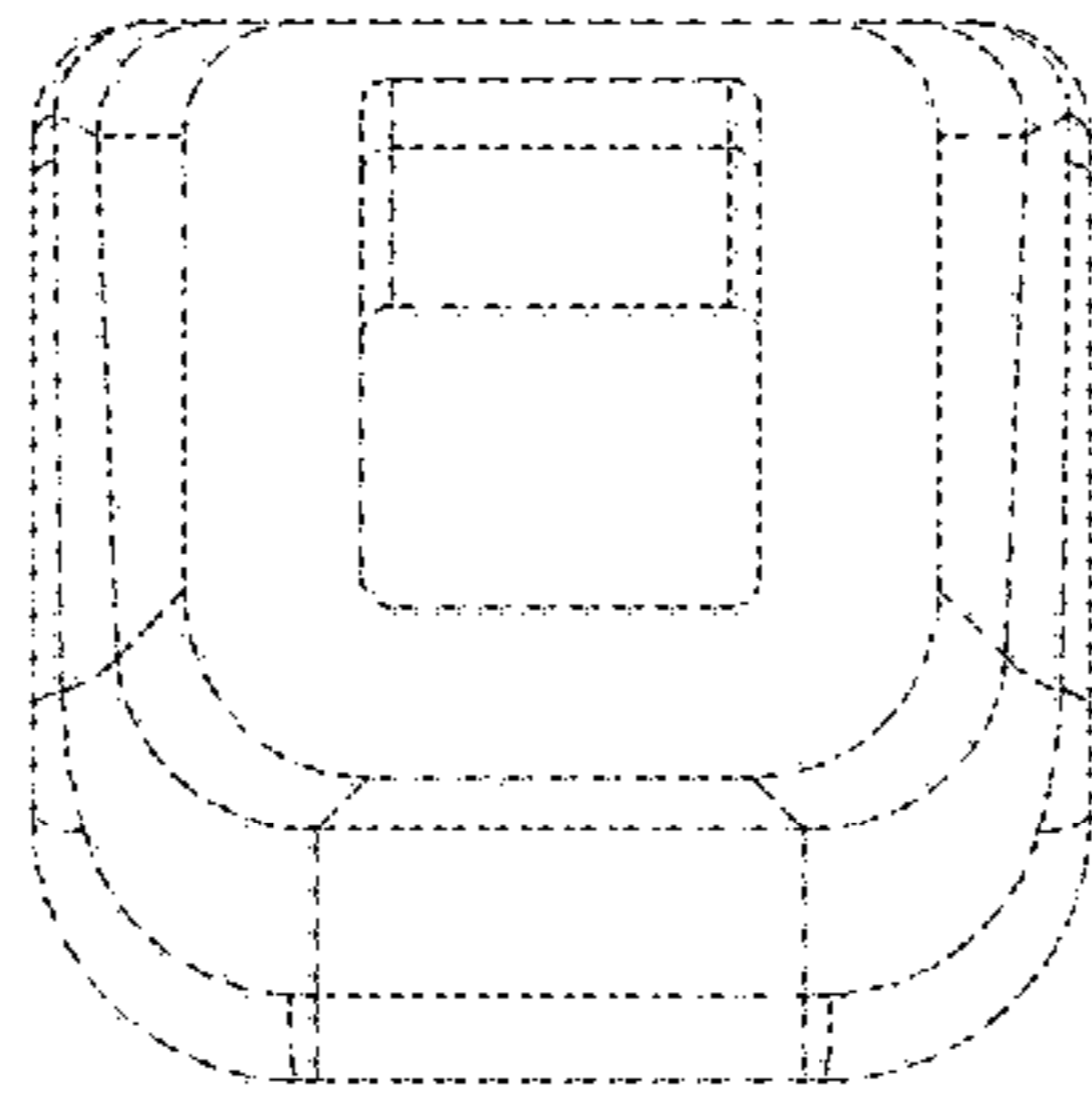


FIG. 6

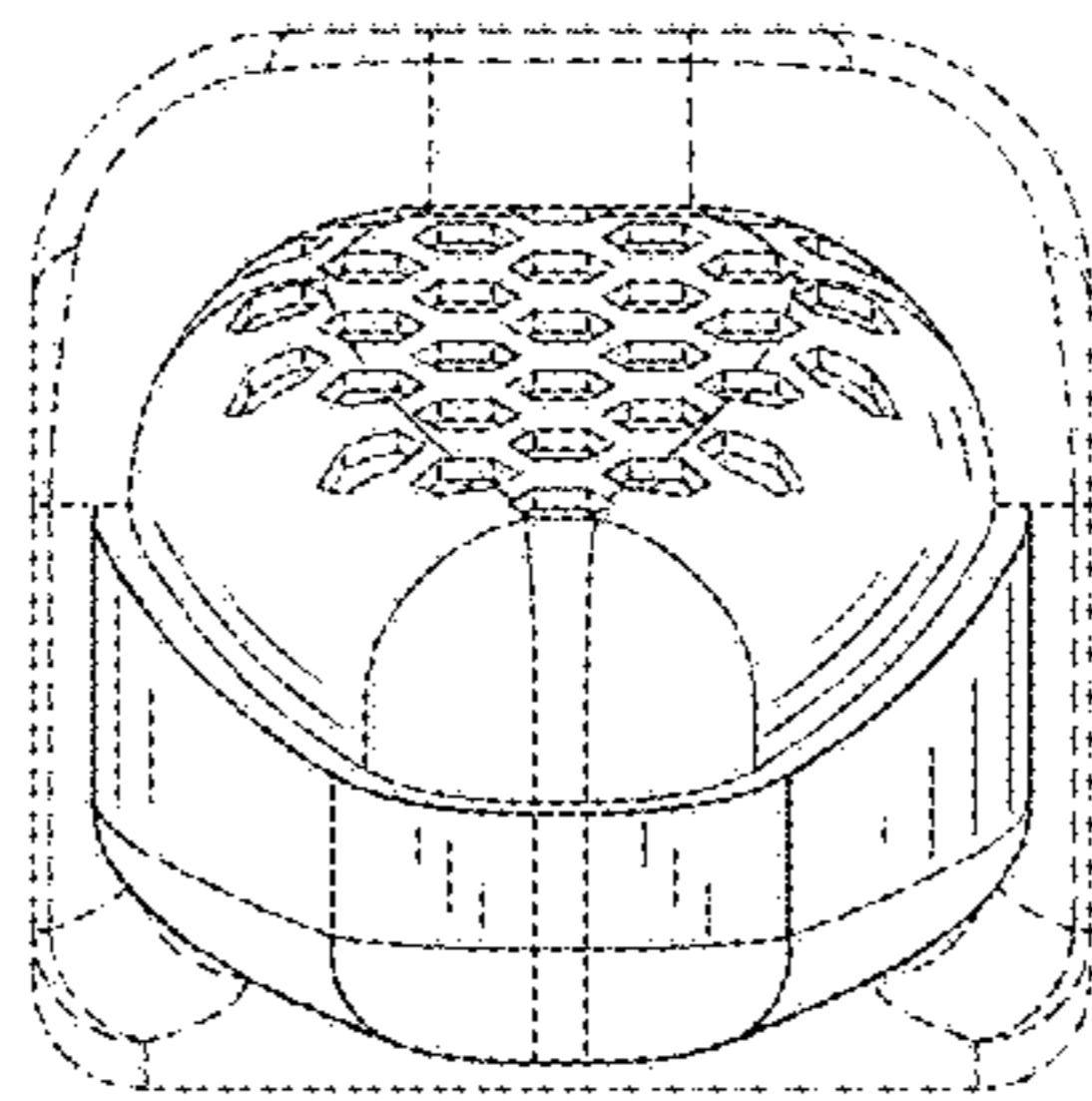


FIG. 7

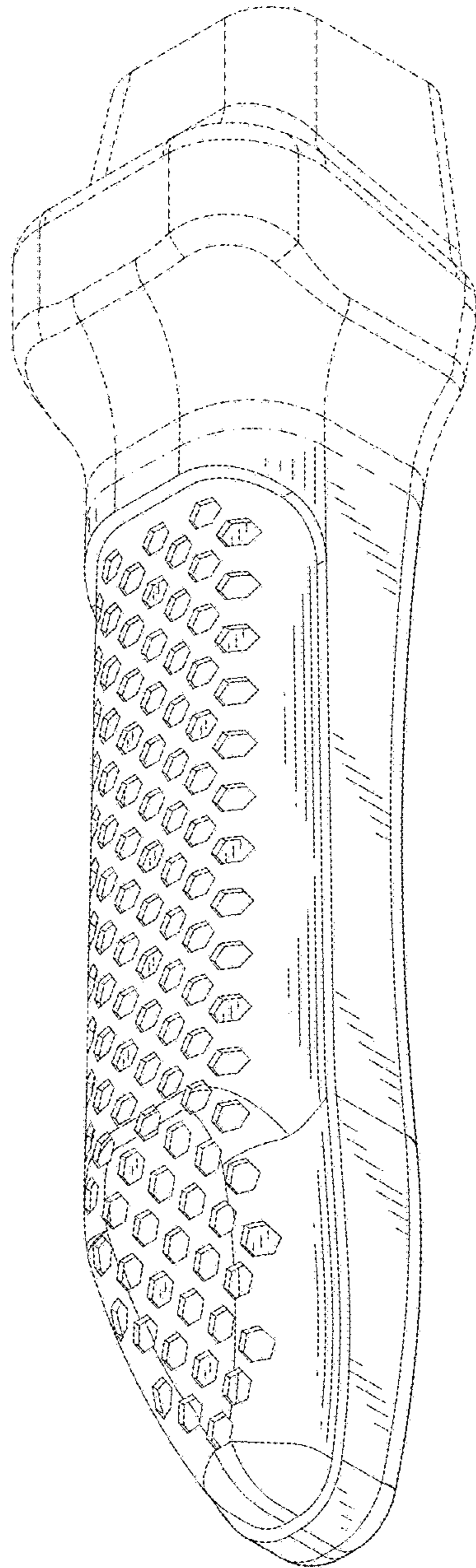


FIG. 8

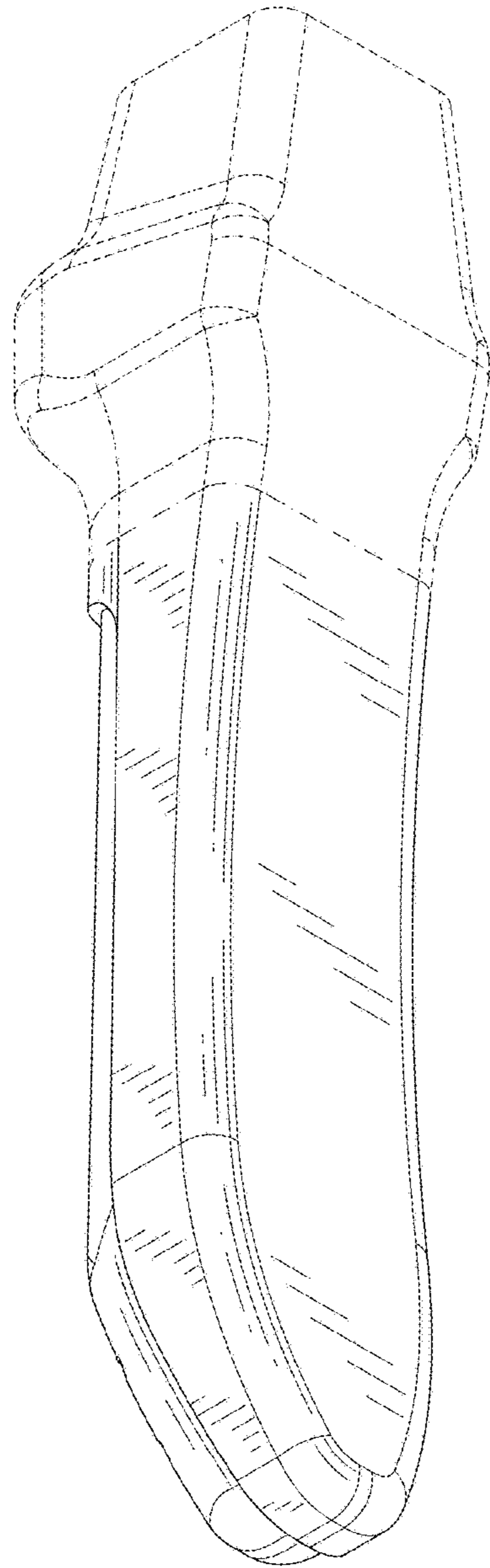


FIG. 9