



US00D860752S

(12) **United States Design Patent** (10) **Patent No.:** **US D860,752 S**
Bloch (45) **Date of Patent:** **** Sep. 24, 2019**

(54) **KNIFE SHARPENER**

OTHER PUBLICATIONS

(71) Applicant: **Outdoor Edge Cutlery Corporation,**
Denver, CO (US)

Brod & Taylor, Pocket Knife Sharpener—Limited Edition (LE),
Sep. 2014 <https://brodandtaylor.com/product/pocket-knife-sharpener-le/>.

(72) Inventor: **David R. Bloch,** Morrison, CO (US)

(Continued)

(73) Assignee: **OUTDOOR EDGE CUTLERY CORPORATION,** Denver, CO (US)

Primary Examiner — Philip S Hyder

(74) *Attorney, Agent, or Firm* — Lewis Brisbois Bisgaard & Smith LLP; Craig W. Mueller

(**) Term: **15 Years**

(21) Appl. No.: **29/643,624**

(57) **CLAIM**

(22) Filed: **Apr. 10, 2018**

The ornamental design for a knife sharpener, as shown and described.

(51) **LOC (12) Cl.** **08-05**

(52) **U.S. Cl.**
USPC **D8/93**

(58) **Field of Classification Search**
USPC D8/63, 90, 91, 92, 93
CPC B24B 3/54; B24B 3/36; B24B 3/58; B24B 3/00; B24B 23/08; B24B 15/00; B24B 15/06; B24B 15/063; B24B 15/08
See application file for complete search history.

DESCRIPTION

FIG. 1 is a perspective view of the knife sharpener; FIG. 2 is a front elevation view thereof; FIG. 3 is a rear elevation view thereof; FIG. 4 is a right elevation view thereof; FIG. 5 is a left elevation view thereof; FIG. 6 is a top plan view thereof; FIG. 7 is a bottom plan view thereof; FIG. 8 is a perspective view showing the knife sharpener in a second position of use, wherein a sharpening rod is in an extended position of use; FIG. 9 is a perspective view of the knife sharpener in a third position of use, wherein a foot is deployed; FIG. 10 is a front elevation view thereof; FIG. 11 is a rear elevation view thereof; FIG. 12 is a right elevation view thereof; FIG. 13 is a left elevation view thereof; FIG. 14 is a top plan view thereof; and, FIG. 15 is a bottom plan view thereof. The broken lines depict portions of the knife sharpener in which the design is embodied that are not considered part of the claimed design.

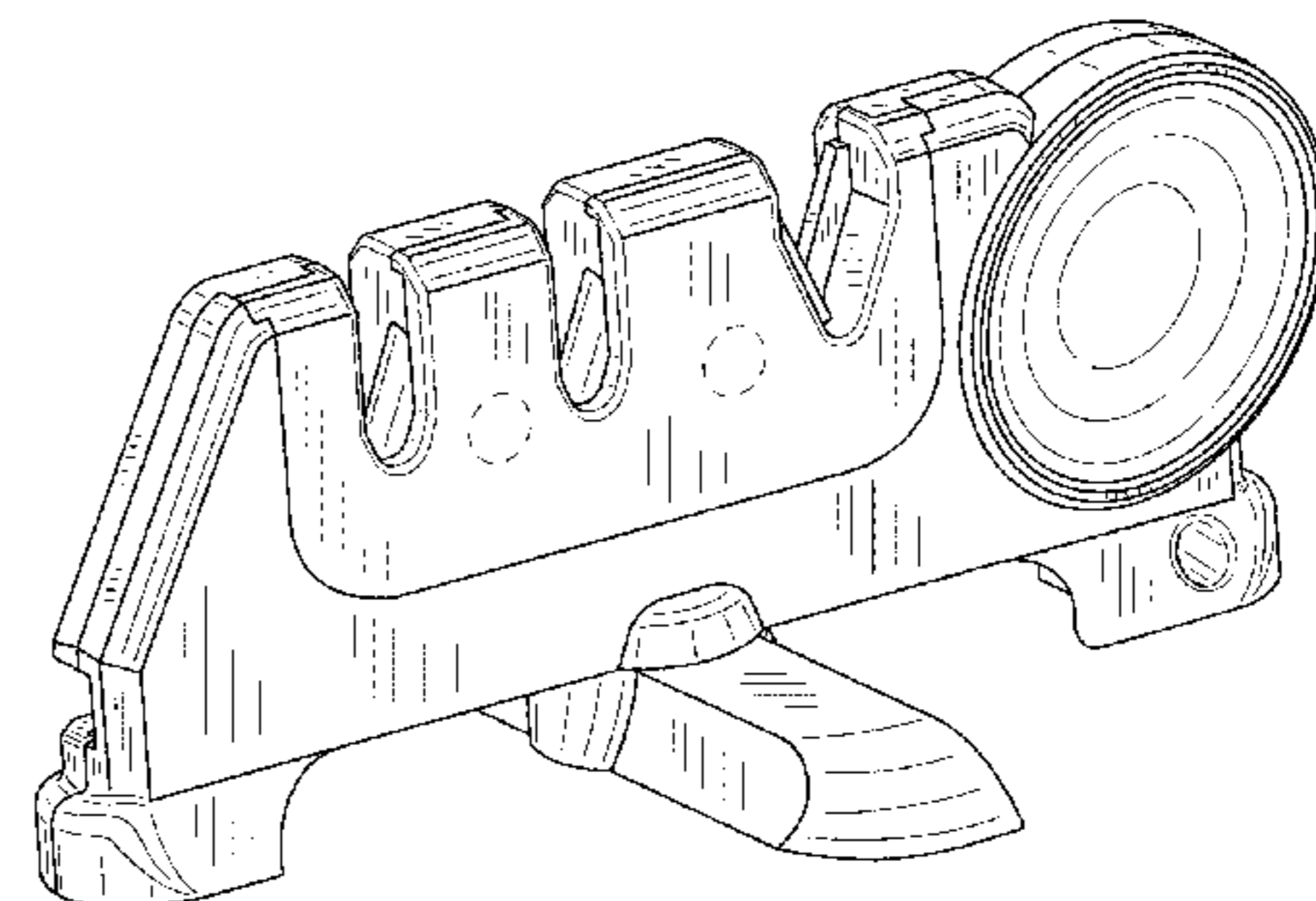
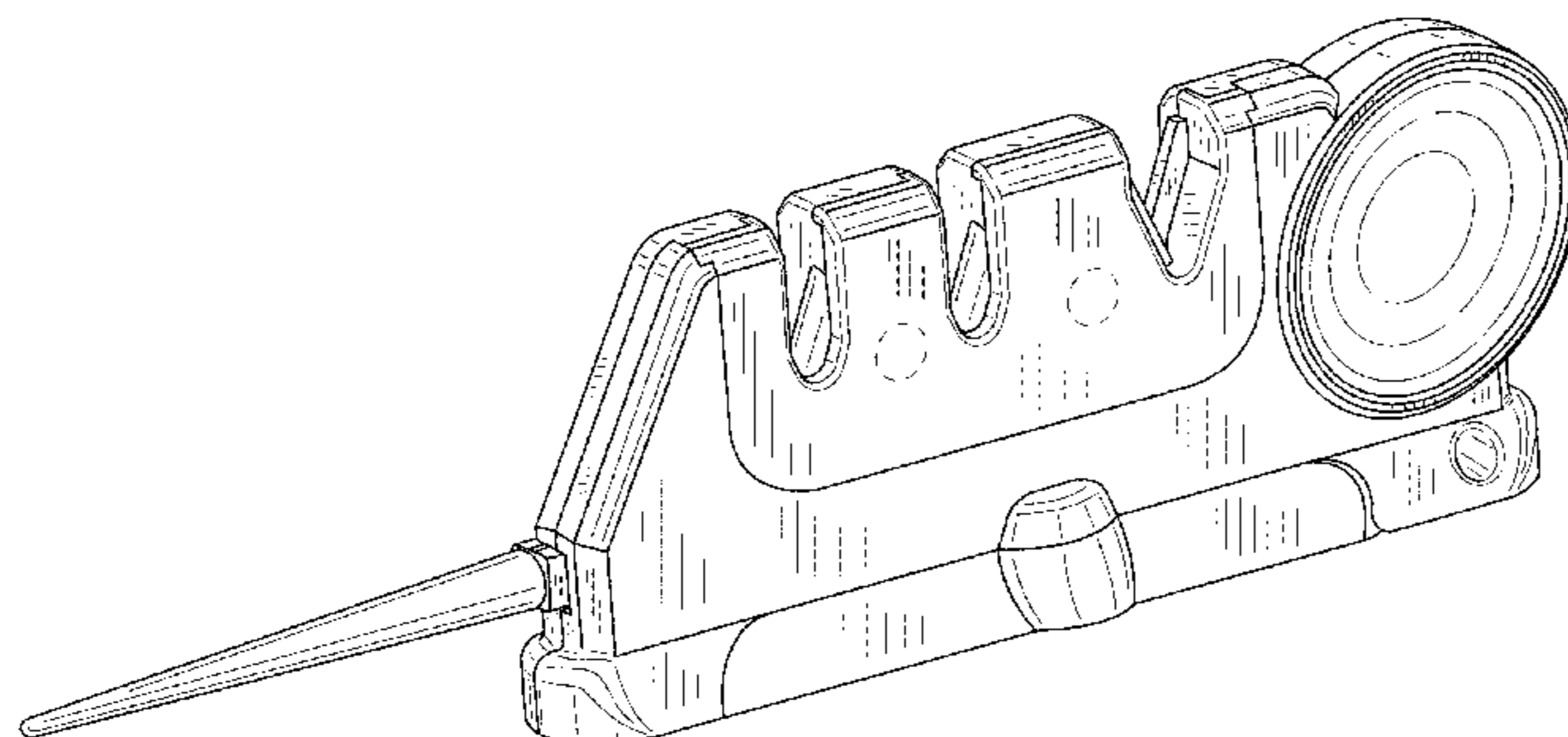
(56) **References Cited**

U.S. PATENT DOCUMENTS

620,050	A	2/1899	Poindexter
1,032,910	A	7/1912	Jackson
1,223,753	A	4/1917	Anderson
1,417,054	A	5/1922	Graf
1,451,526	A	4/1923	Bowles
1,474,636	A	11/1923	Judd et al.
1,516,997	A	11/1924	Watts
1,719,345	A	7/1929	Teitel
1,827,664	A	10/1931	Matthews
D111,174	S	9/1938	Varpenter
2,473,702	A	6/1949	Garth
2,542,472	A	2/1951	Brinkley
3,052,068	A	9/1962	Burgess
D241,504	S	9/1976	Krusche et al.
4,450,653	A	5/1984	Fletcher
4,494,340	A	1/1985	Carter

(Continued)

1 Claim, 12 Drawing Sheets



(56)

References Cited

U.S. PATENT DOCUMENTS

4,502,254	A	3/1985	Carter	
4,530,188	A	7/1985	Graves	
4,751,795	A	6/1988	Jenne	
5,163,251	A	11/1992	Lee	
5,377,563	A	1/1995	Weeks	
5,782,681	A	7/1998	Bresnahan	
6,039,642	A *	3/2000	Collins B24D 15/06 451/45
6,846,229	B1	1/2005	Ranieri	
7,153,200	B1	12/2006	Wu	
7,229,345	B2	6/2007	Fierus	
D578,581	S	10/2008	Smith	
8,221,199	B2	7/2012	Smith	
D721,564	S	1/2015	Purnomohadi	
8,944,894	B2	2/2015	Smith	
D723,898	S	3/2015	Smith	
D730,133	S *	5/2015	Sun D8/35
D731,278	S *	6/2015	Cavanaugh D8/105
D744,804	S *	12/2015	Johnson D8/93
D745,819	S	12/2015	Bloch	
D811,846	S *	3/2018	Johnson D8/93
D816,455	S *	5/2018	Fire D8/91
2009/0064822	A1	3/2009	Sterngold	

2014/0127984	A1 *	5/2014	Smith B25F 1/00 451/461
2015/0283678	A1 *	10/2015	Hangen B24D 15/08 451/552
2016/0144486	A1	5/2016	Bloch	

OTHER PUBLICATIONS

“Sharp-Xtm (SX-100),” Outdoor Edge Corp., 2014, retrieved from <https://web.archive.org/web/2014111081636/http://www.outdooredge.com/Sharp-X-p/sharp-x.htm>, 1 page.

“Joseph Joseph Compact 2-Stage Knife Sharpener and Honer Rota, Red,” Amazon, retrieved from http://www.amazon.com/Joseph-Compact-2-Stage-Knife-Sharpenerid/BOOLN714Gliref=cm_cr-pr_product Jop?ie=UTF8, 2014, 6 pages.

Brod and Taylor, Instruction Manual Pocket & Basic Knife Sharpener, Sep. 2014 PDF.

Lansky Quick Fix Pocket Knife Sharpener. Downloaded from <http://www.campsaver.com/quick-fix-pocket-sharpener> on Sep. 20, 2015.

Outdoor Edge Sharp-X Knife Sharpener. Downloaded from [http://www.campsaver.com/sharp-x-knife-sharpener?gclid=CNqltvSWhsgCFYKQHw-od8i . . .](http://www.campsaver.com/sharp-x-knife-sharpener?gclid=CNqltvSWhsgCFYKQHw-od8i...) on Sep. 20, 2015.

* cited by examiner

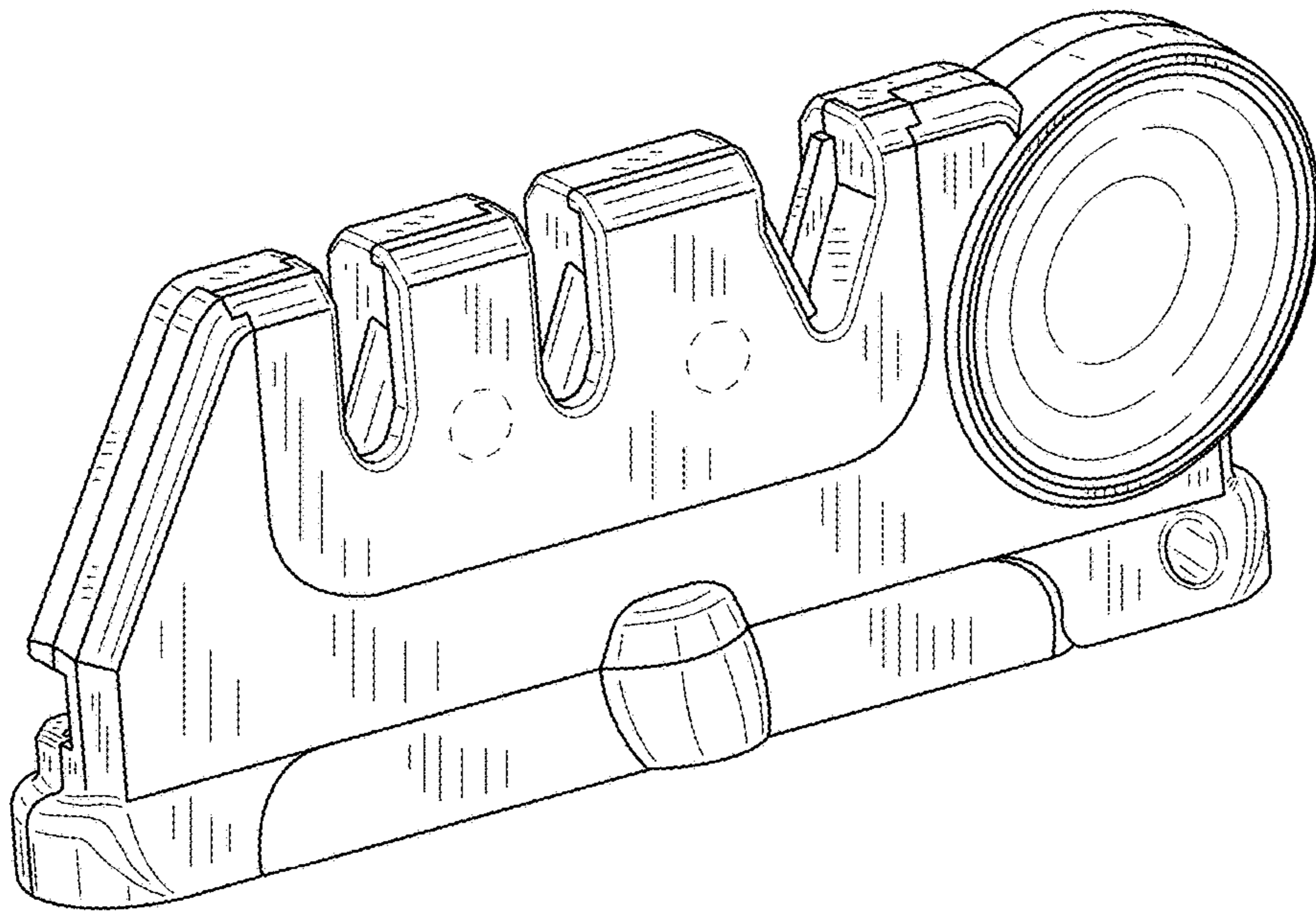


FIG.1

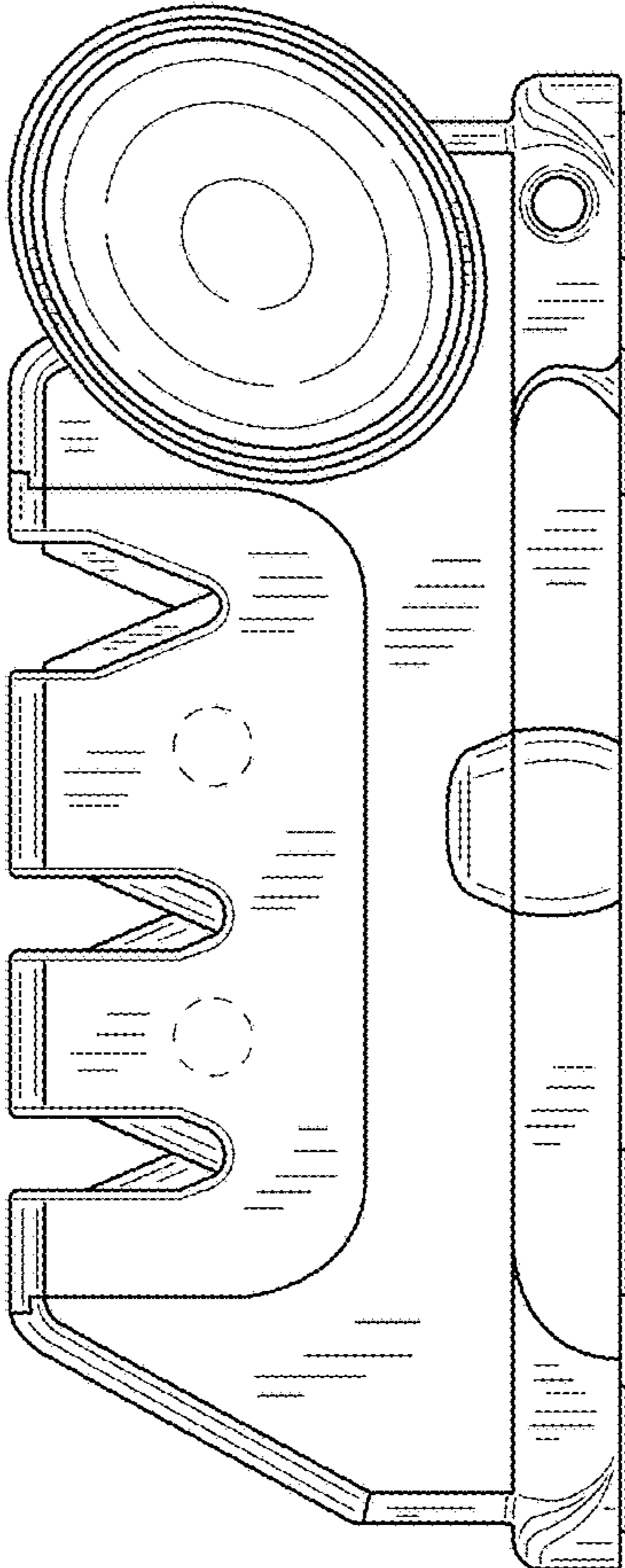


FIG.2

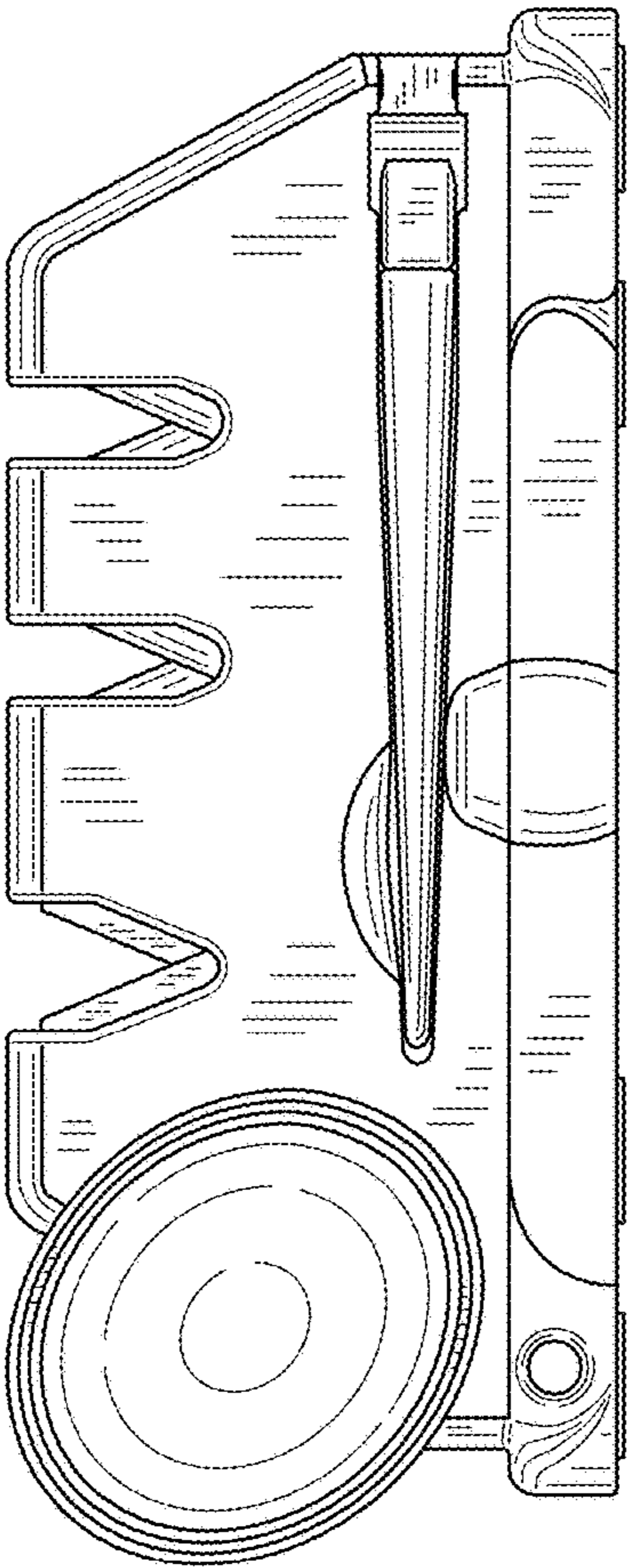


FIG.3

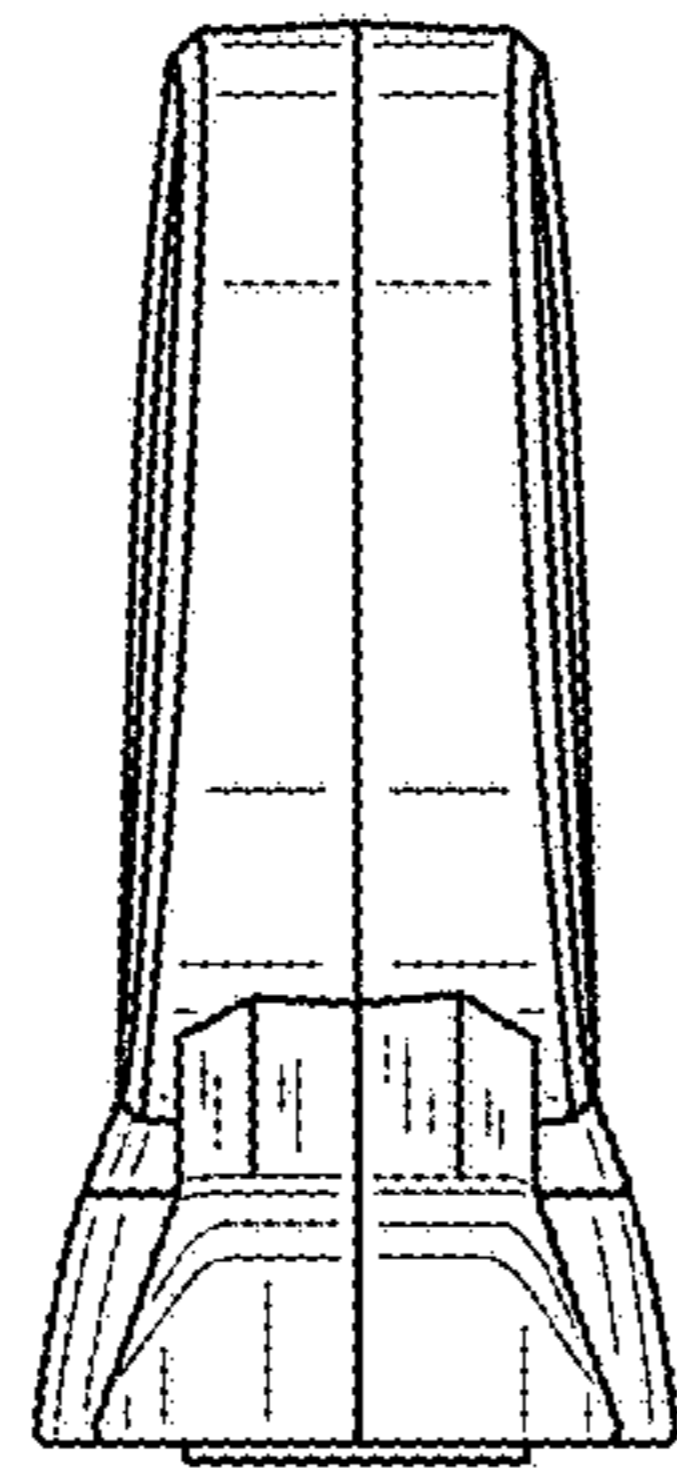


FIG.4

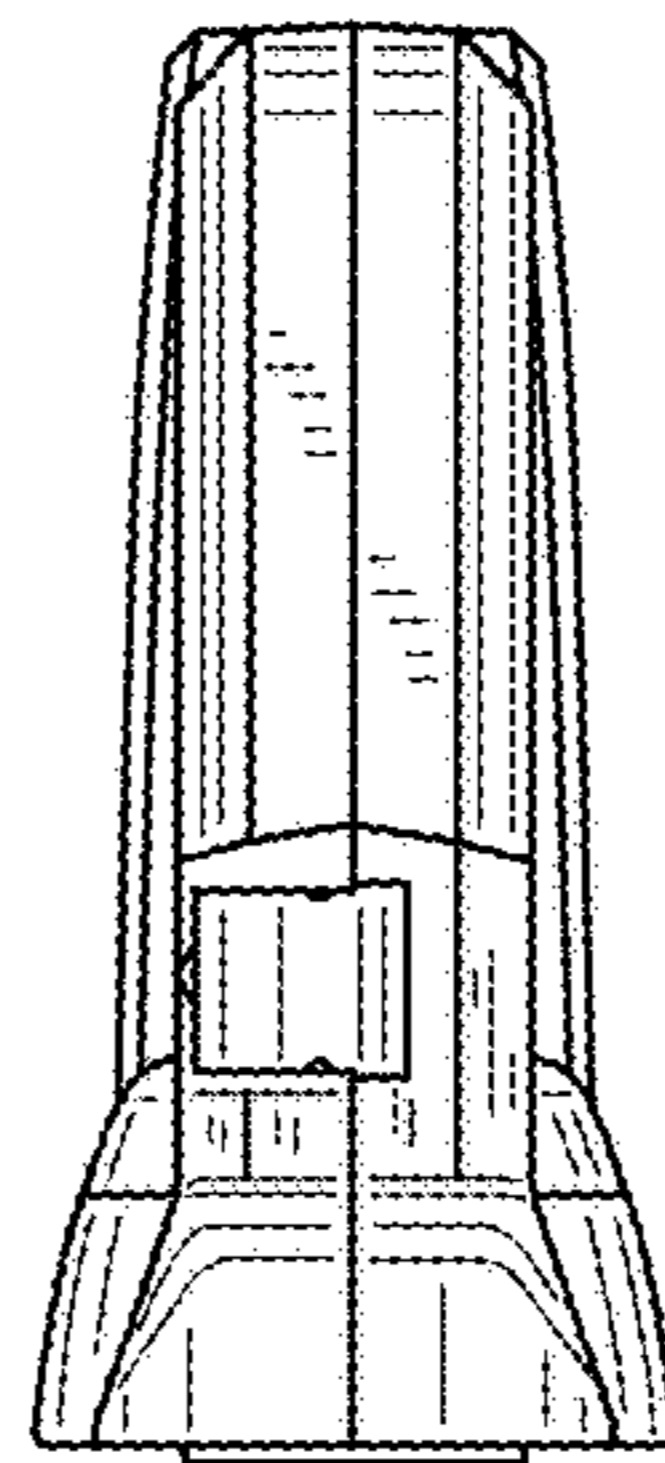


FIG.5

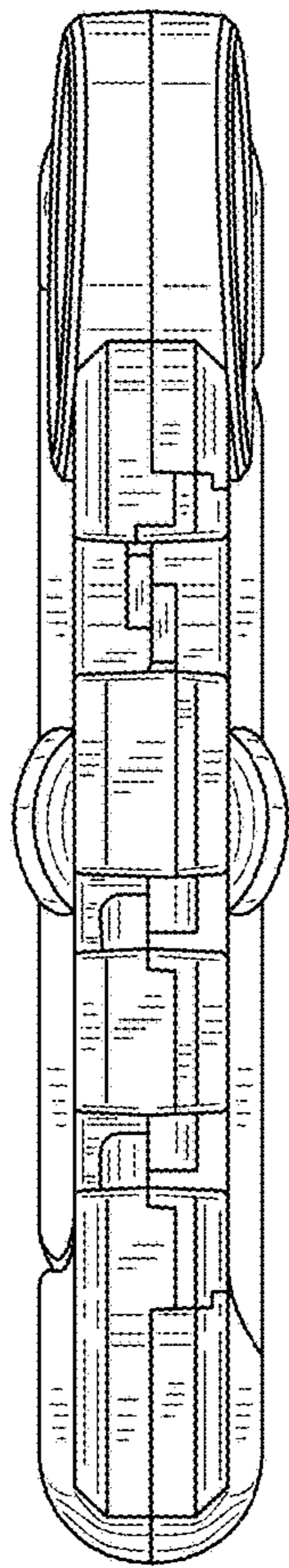


FIG. 6

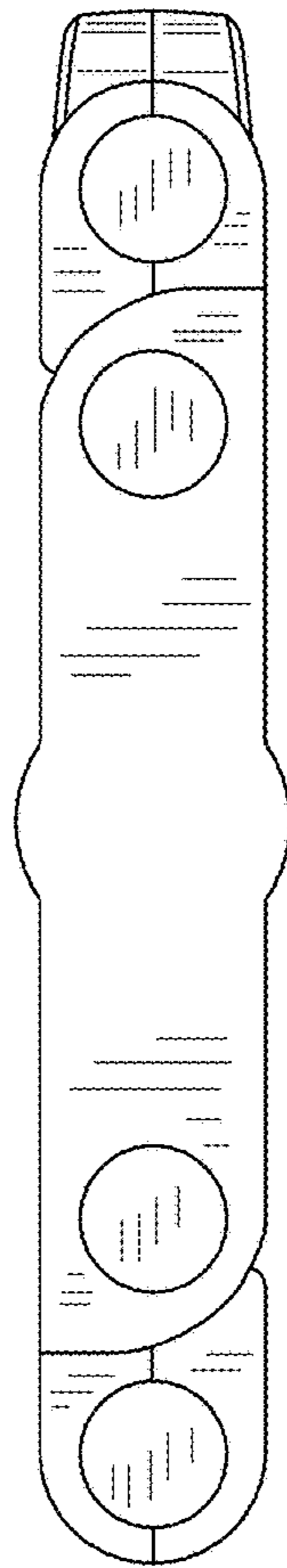


FIG. 7

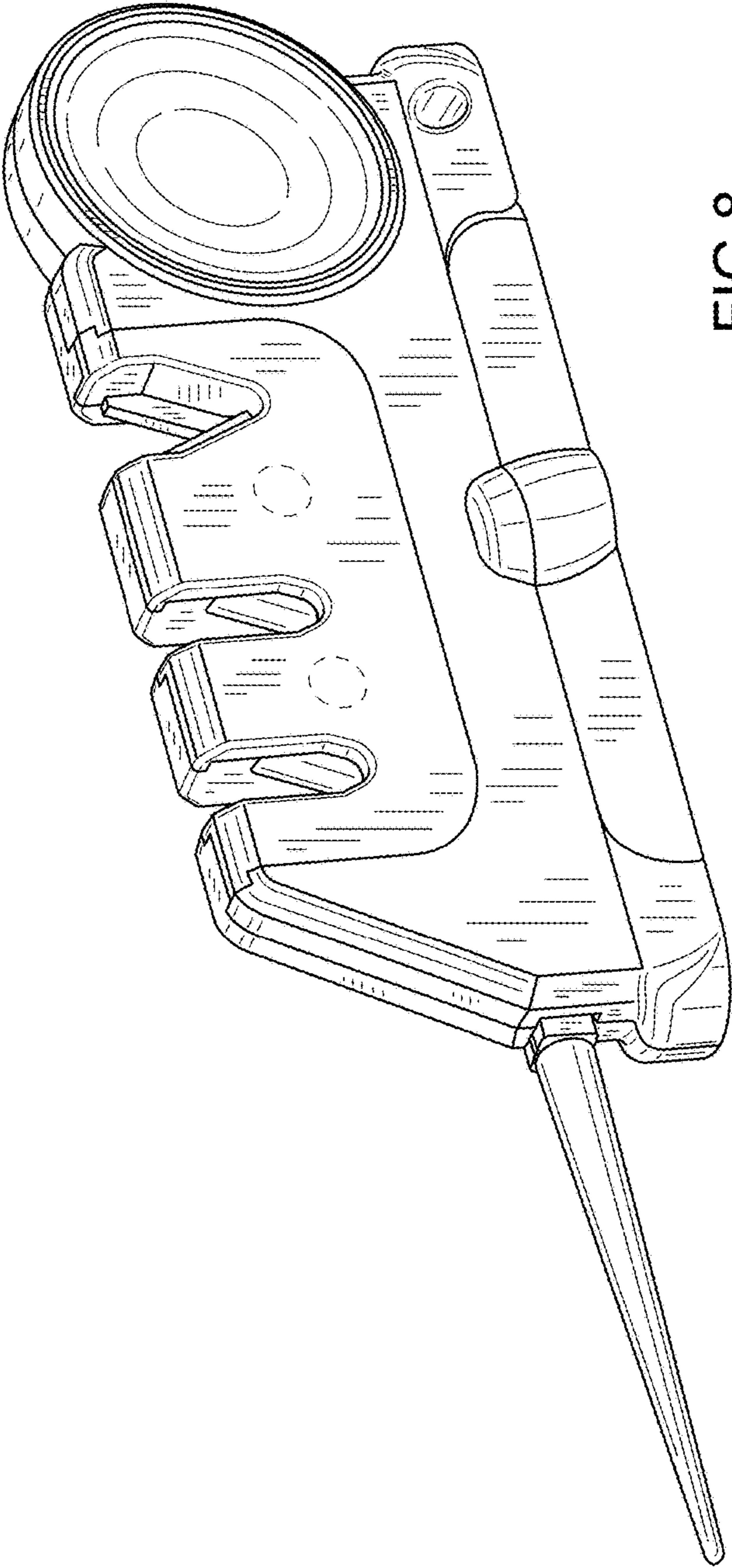


FIG.8

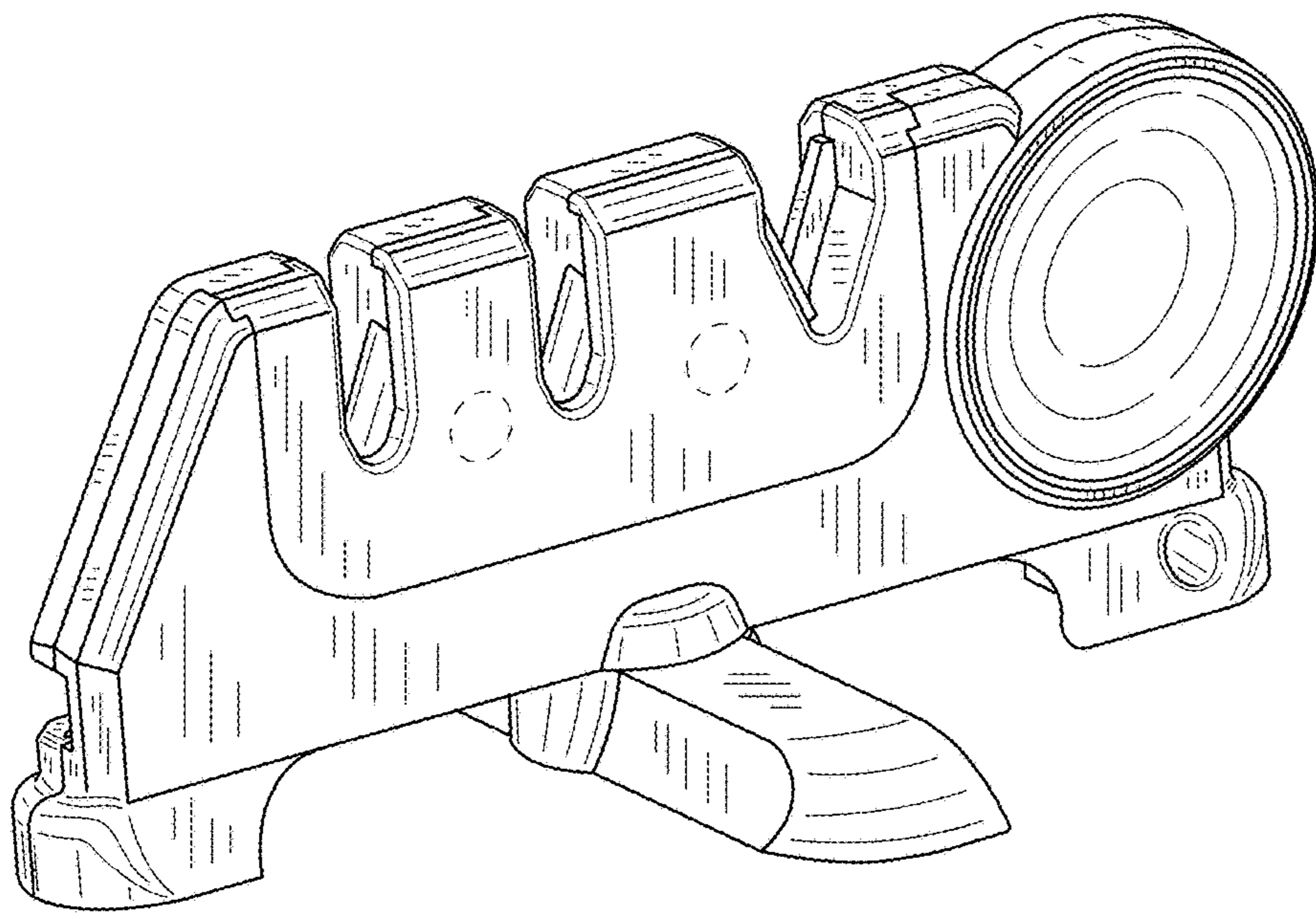


FIG.9

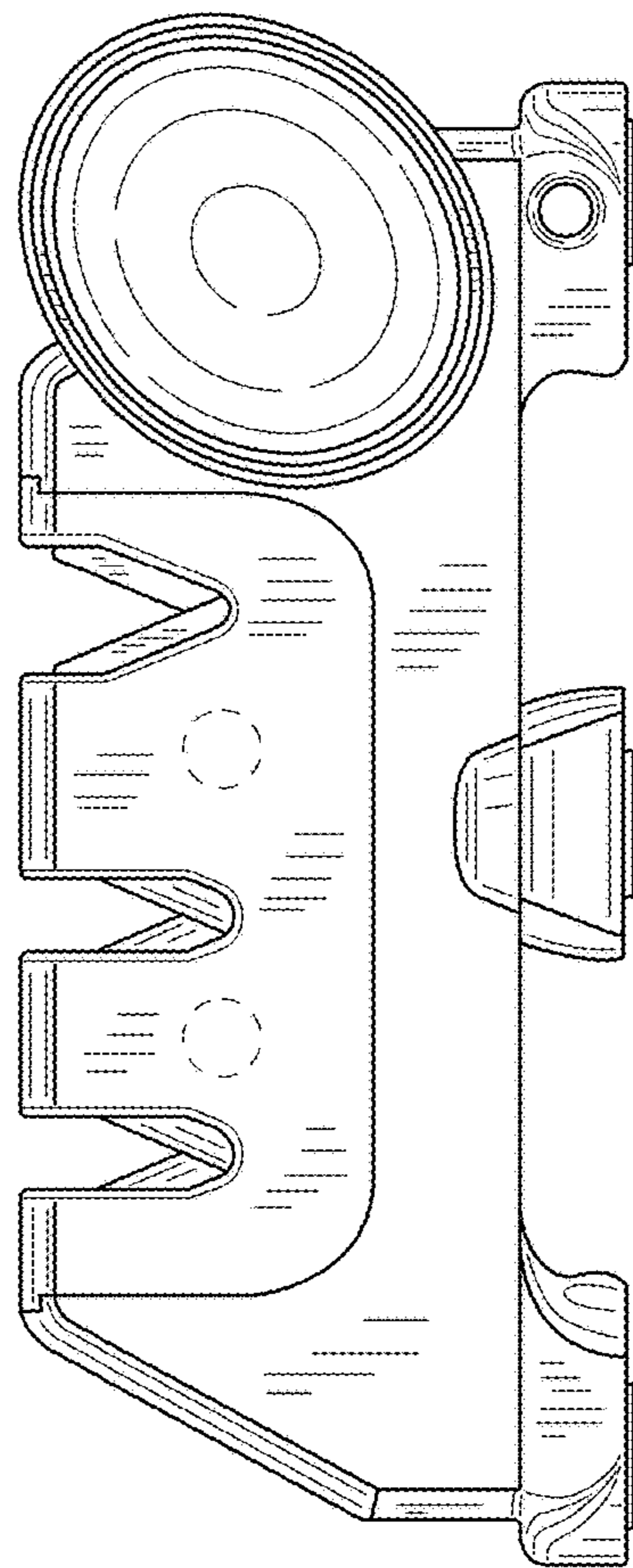


FIG.10

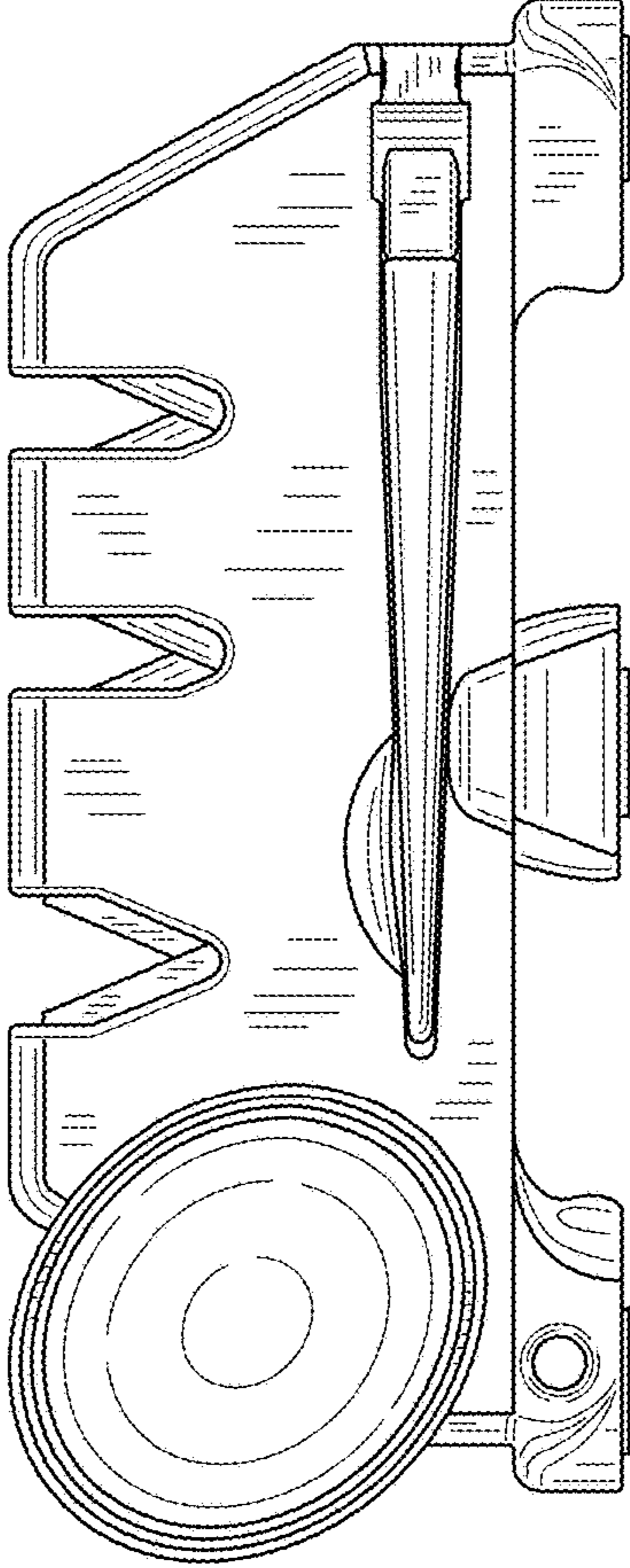


FIG.11

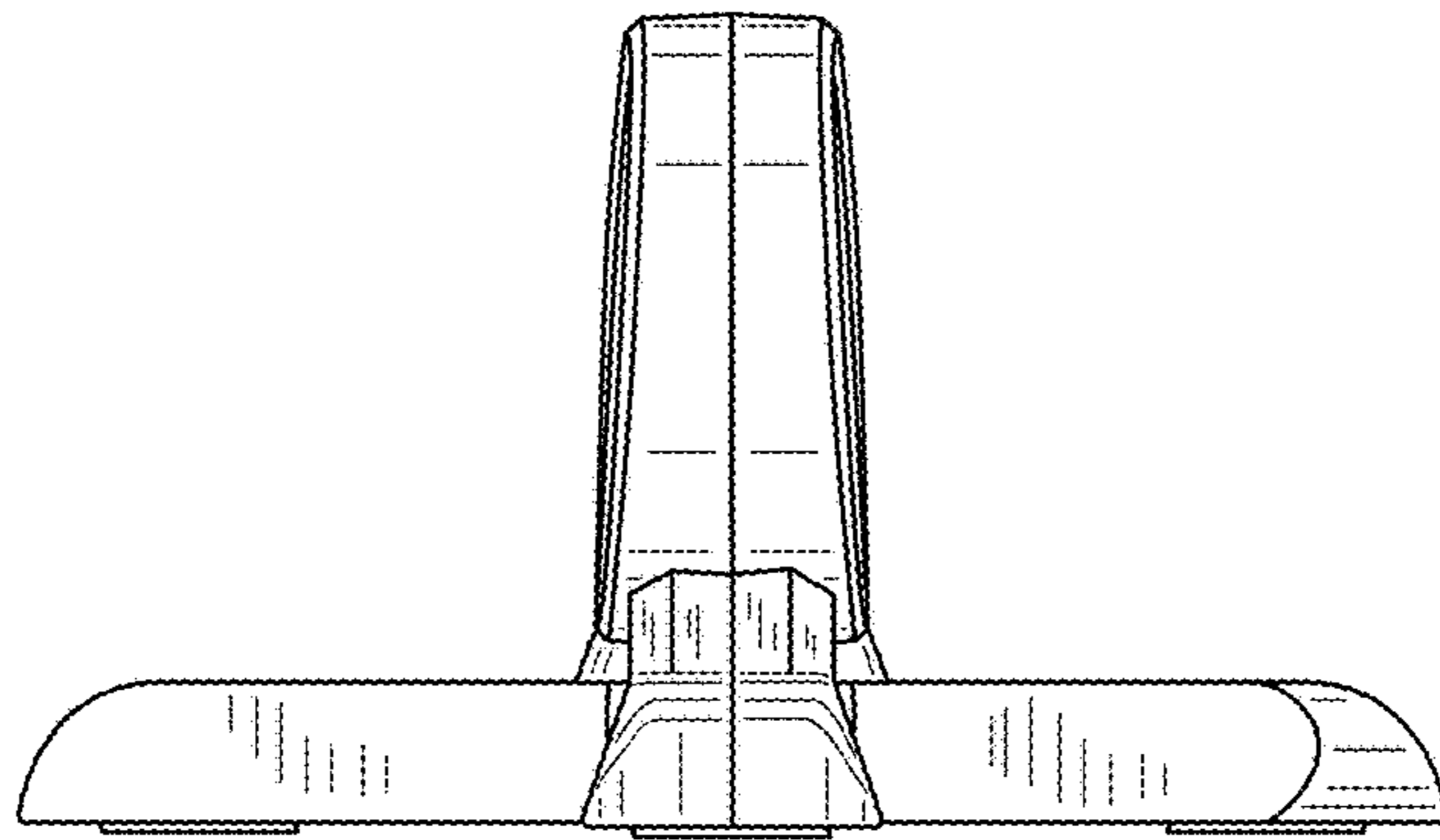


FIG. 12

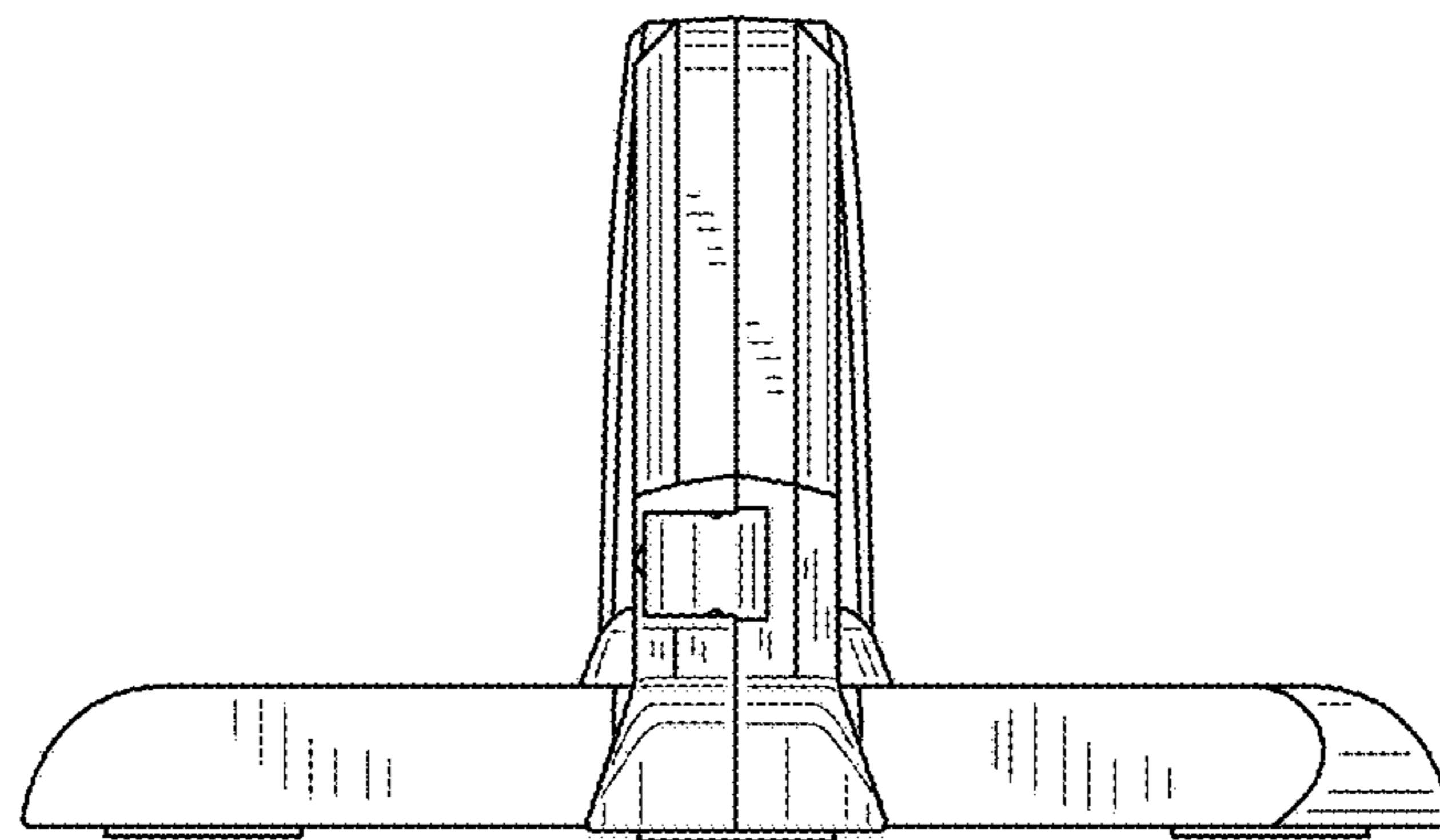


FIG. 13

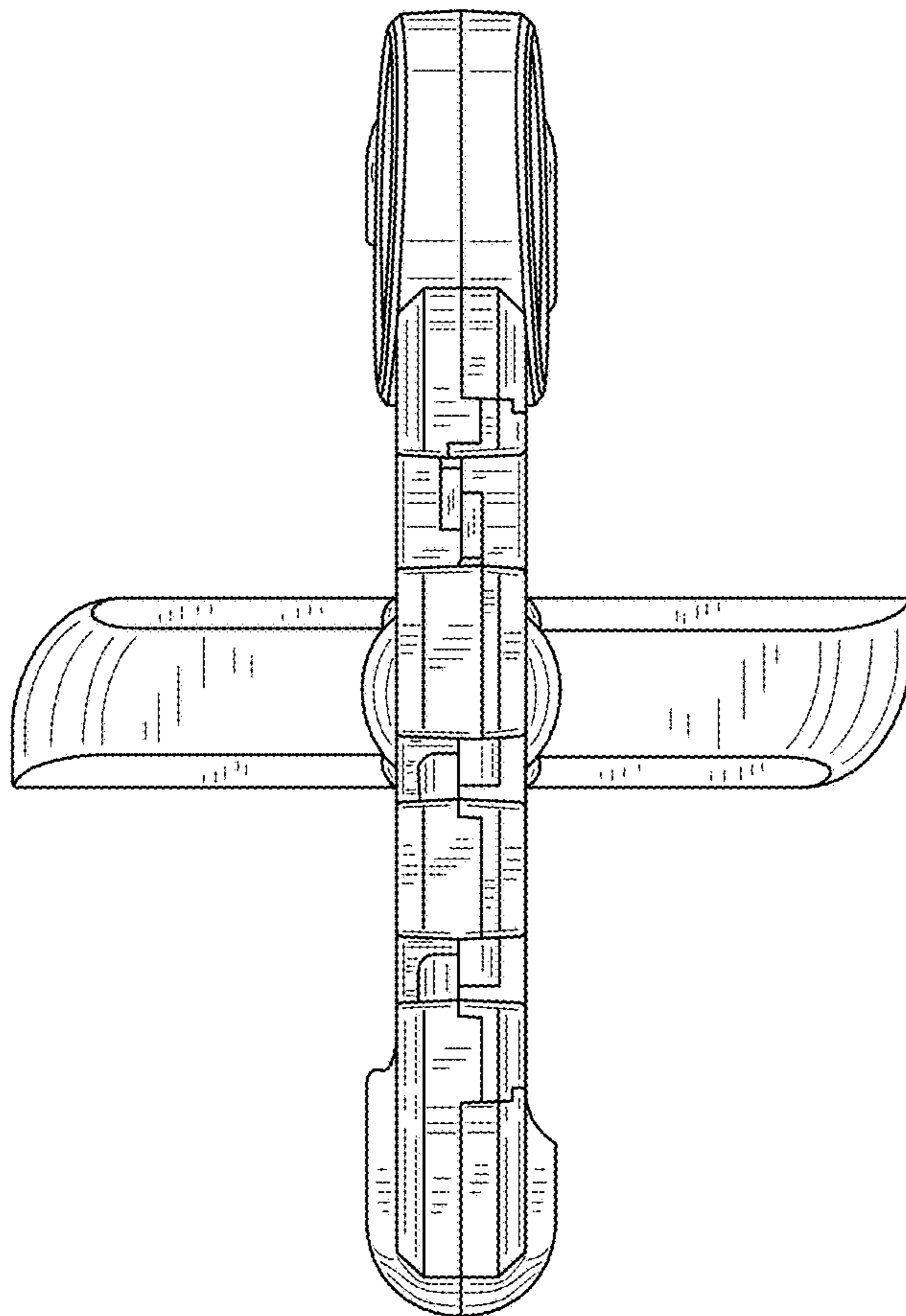


FIG.14

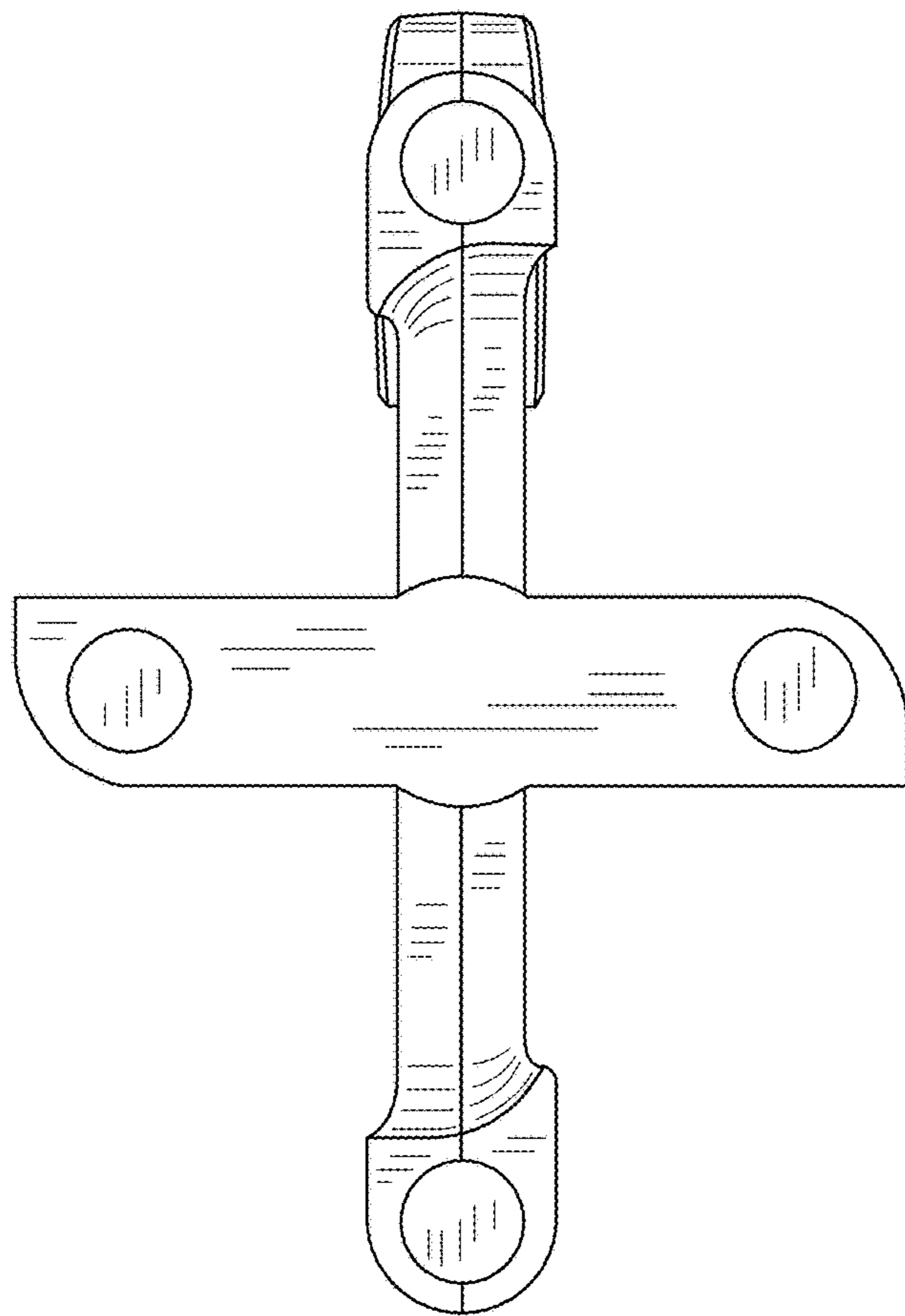


FIG.15