



US00D860751S

(12) **United States Design Patent**
Groene

(10) **Patent No.:** **US D860,751 S**

(45) **Date of Patent:** **** Sep. 24, 2019**

- (54) **NAIL PULLER**
- (71) Applicant: **Richard E. Groene**, Omaha, NE (US)
- (72) Inventor: **Richard E. Groene**, Omaha, NE (US)
- (**) Term: **15 Years**
- (21) Appl. No.: **29/632,864**
- (22) Filed: **Jan. 10, 2018**
- (51) **LOC (12) Cl.** **08-05**
- (52) **U.S. Cl.**
USPC **D8/89**
- (58) **Field of Classification Search**
USPC D8/14, 88, 89, 105
CPC ... B25C 11/00; B25G 1/10; B25F 1/00; B66F
15/00
See application file for complete search history.

- 3,680,834 A * 8/1972 Holloway B25F 1/00
254/25
- 5,820,107 A * 10/1998 Hall B25C 11/00
254/25
- 5,957,429 A * 9/1999 Khachatoorian B66F 15/00
254/21
- 6,752,380 B1 * 6/2004 Taylor B25C 11/00
254/21
- D493,086 S * 7/2004 Taylor D8/88
- D567,052 S * 4/2008 Vandenberghe B66F 15/00
D8/89
- 7,503,545 B2 * 3/2009 Verbowski B25G 1/10
254/21
- D603,236 S * 11/2009 Weeks D8/38

* cited by examiner

Primary Examiner — Philip S Hyder

(74) *Attorney, Agent, or Firm* — Suiter Swantz pc llo

(57) **CLAIM**

The ornamental design for a nail puller, as shown and described.

(56) **References Cited**

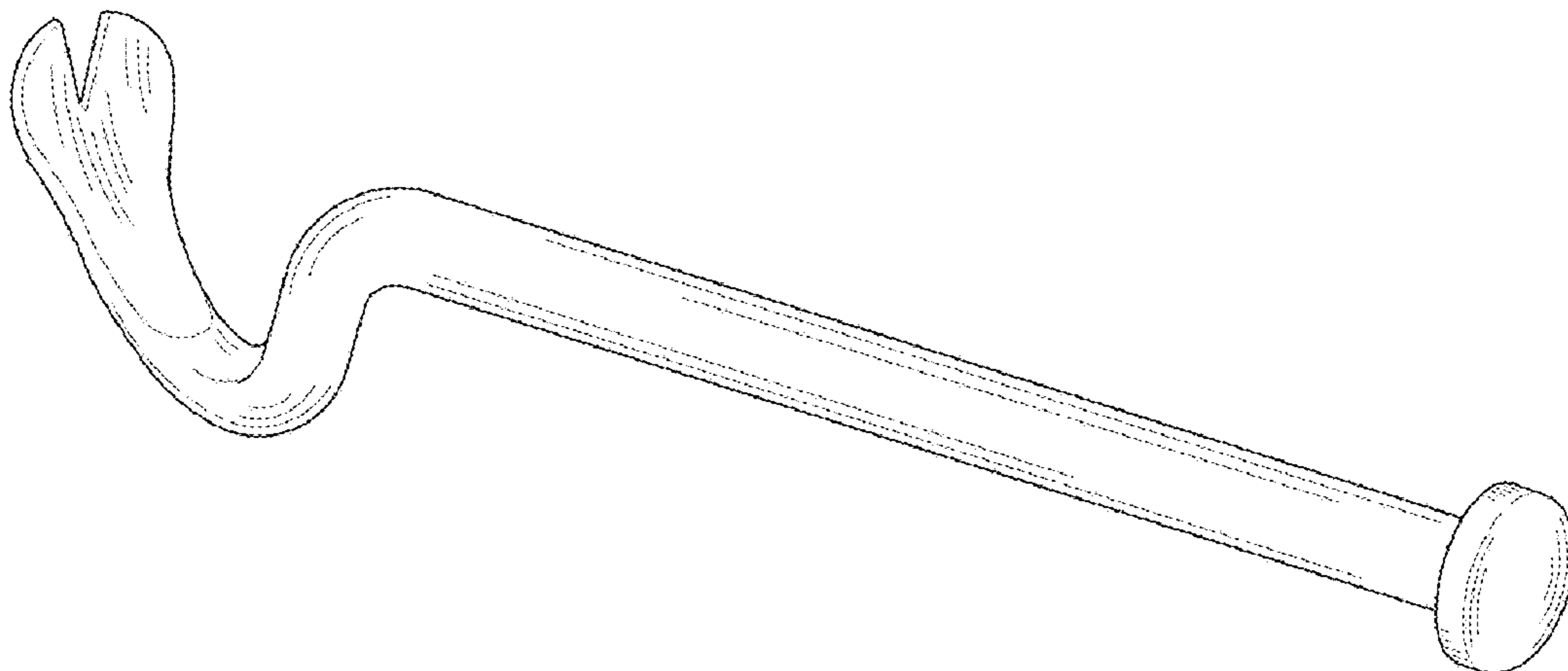
U.S. PATENT DOCUMENTS

- 1,221,323 A * 4/1917 Hill B25C 11/00
254/25
- 1,486,820 A * 3/1924 Wilder B25C 11/00
254/25
- 1,890,273 A * 12/1932 Wells B25C 11/00
254/131
- 2,210,602 A * 8/1940 Scott B25B 27/00
254/131
- 2,896,910 A * 7/1959 Cooper B65G 7/12
254/131

DESCRIPTION

FIG. 1 is a perspective view showing our new design;
FIG. 2 is a top plan view thereof;
FIG. 3 is a front elevation view thereof;
FIG. 4 is a first side elevation view thereof;
FIG. 5 is a rear elevation view thereof;
FIG. 6 is a second side elevation view thereof; and,
FIG. 7 is a bottom plan view thereof.

1 Claim, 3 Drawing Sheets



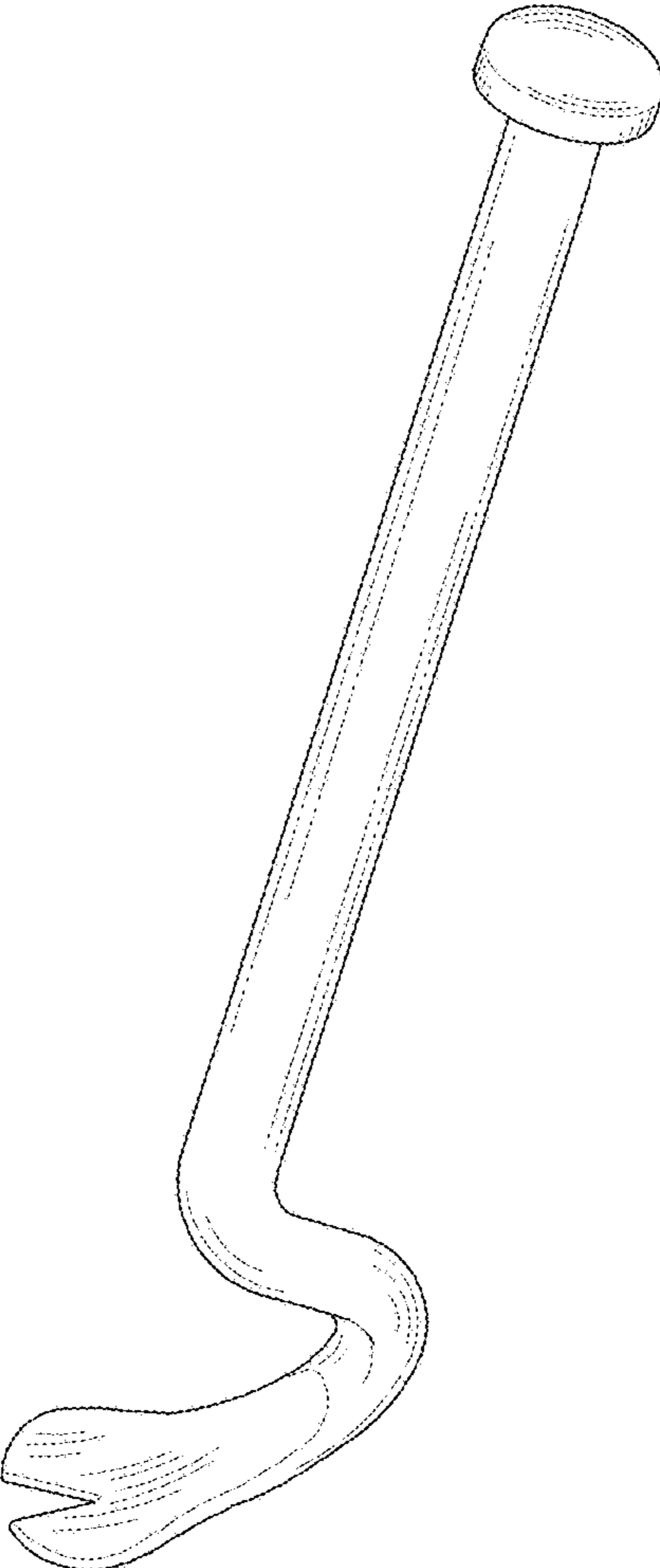


FIG. 1

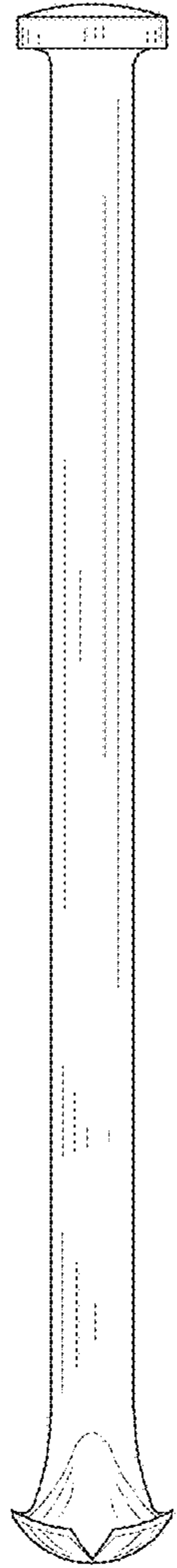


FIG. 2

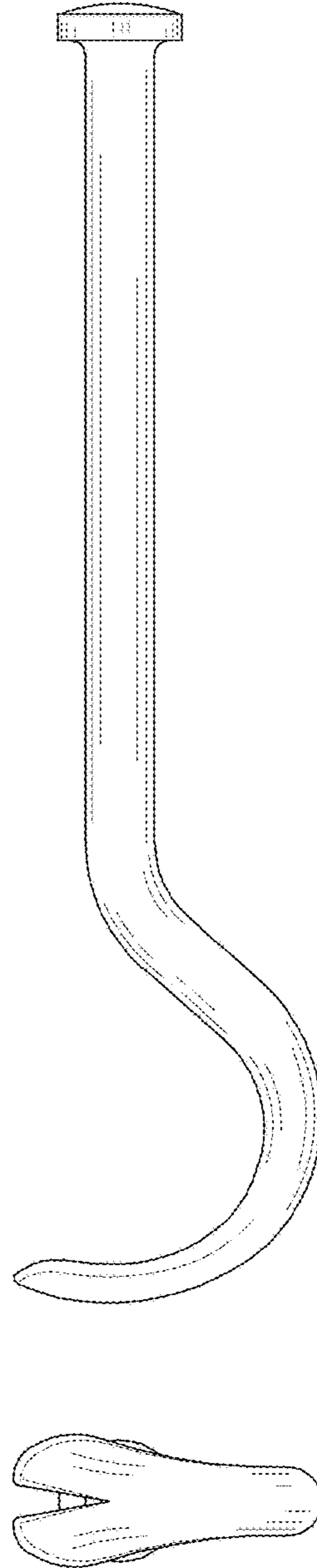


FIG. 3

FIG. 4

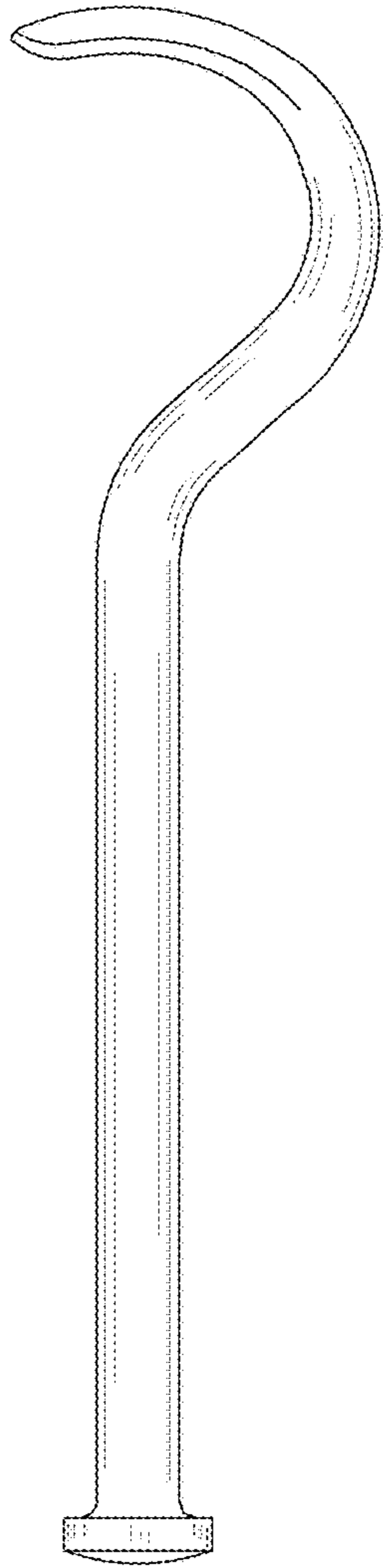


FIG. 5

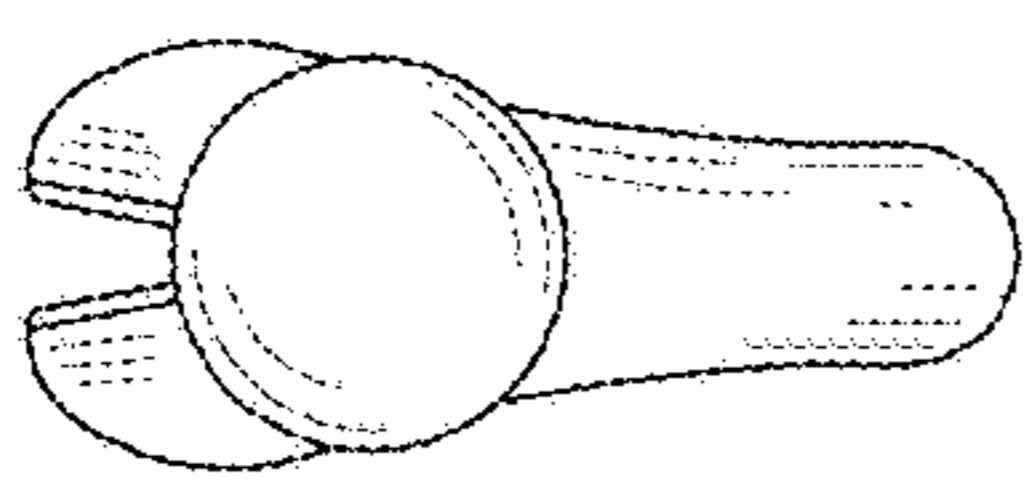


FIG. 6

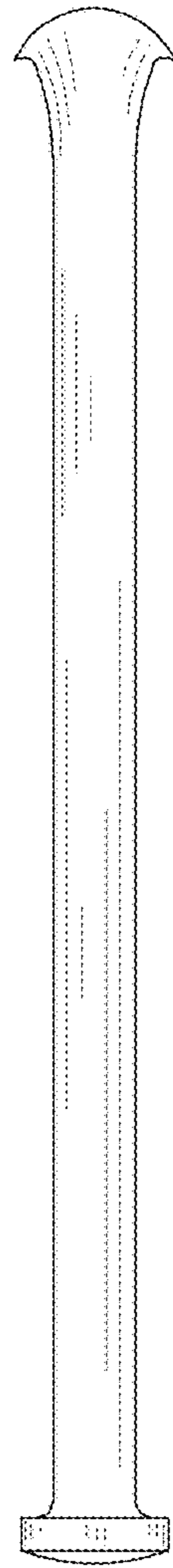


FIG. 7