

US00D860750S

(12) **United States Design Patent** (10) **Patent No.:** **US D860,750 S**
Beh et al. (45) **Date of Patent:** **** Sep. 24, 2019**

(54) **SCREWDRIVER HANDLE**

(71) Applicant: **WIHA WERKZEUGE GMBH,**
Schonach (DE)

(72) Inventors: **Andreas Beh,** Gutach (DE); **Stefan Häringer,** Winden (DE)

(**) Term: **15 Years**

(21) Appl. No.: **35/504,644**

(22) Filed: **Mar. 2, 2018**

(80) **Hague Agreement Data**

Int. Filing Date: **Mar. 2, 2018**
Int. Reg. No.: **DM/100115**
Int. Reg. Date: **Mar. 2, 2018**
Int. Reg. Pub. Date: **Mar. 23, 2018**

(51) **LOC (12) Cl.** **08-04**

(52) **U.S. Cl.**
USPC **D8/83**

(58) **Field of Classification Search**
USPC D8/82-87, 107
CPC B25B 15/00; B25B 15/02; B25B 15/04
See application file for complete search history.

(56) **References Cited**

U.S. PATENT DOCUMENTS

D235,131 S * 5/1975 Covey D8/83
D523,315 S * 6/2006 Kienzler D8/107

D569,210 S * 5/2008 Chien D8/83
D575,132 S * 8/2008 Panier D8/107
D629,666 S * 12/2010 Lai D8/83
RE42,278 E * 4/2011 Kienzler D8/107
D800,529 S * 10/2017 Leibowitz D8/83
2008/0276770 A1* 11/2008 Blum B25B 15/02
81/489
2016/0271772 A1* 9/2016 Knaust B25B 21/00
2018/0126520 A1* 5/2018 Lai B25B 15/04

* cited by examiner

Primary Examiner — Deanna L Pratt

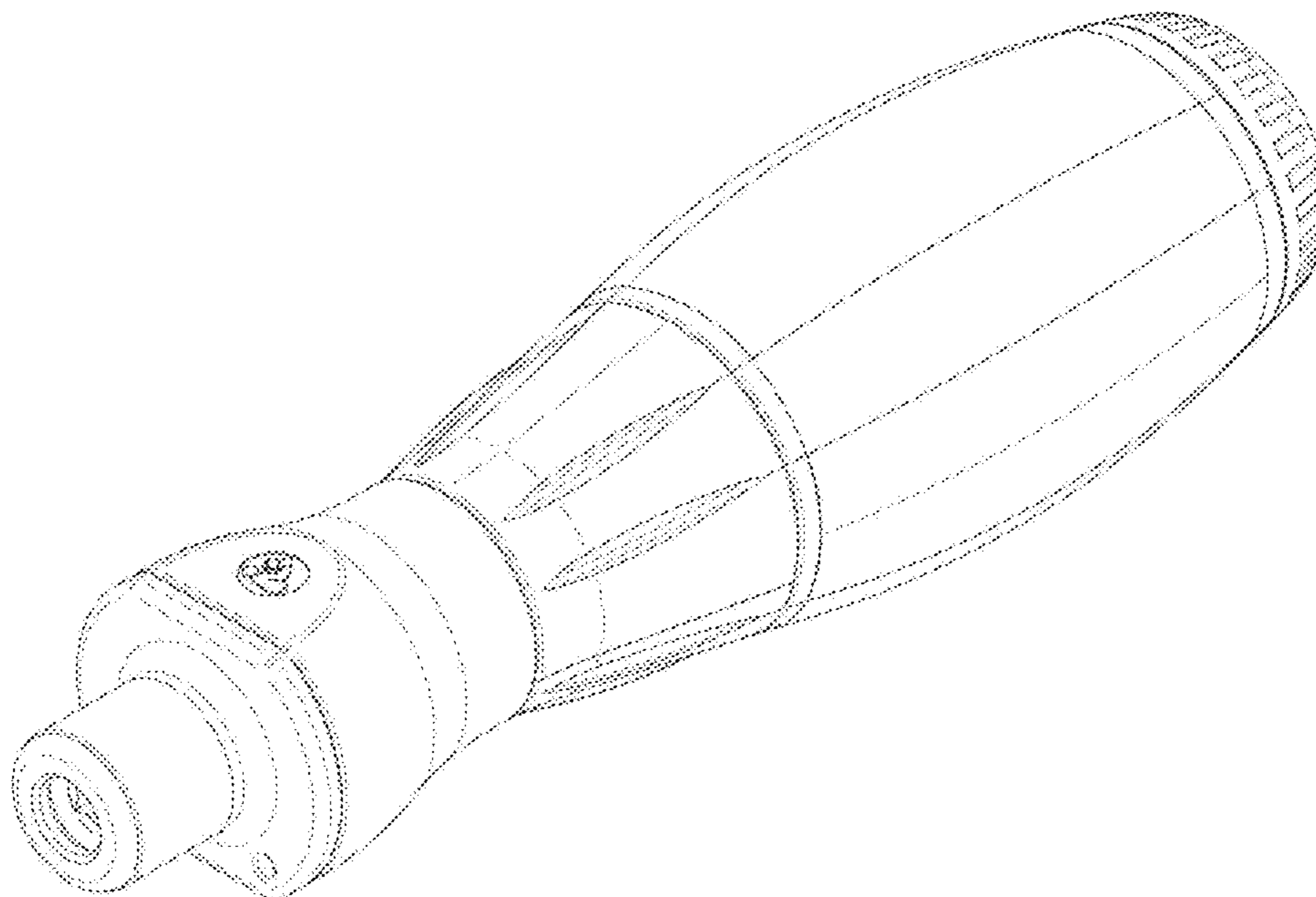
(57) **CLAIM**

The ornamental design for a screwdriver handle, as shown and described.

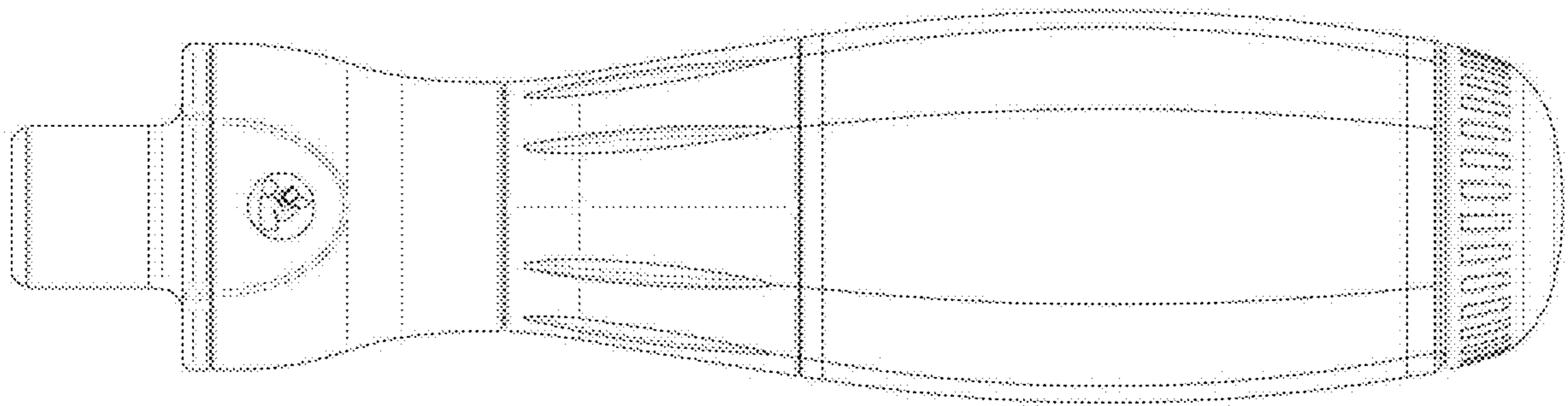
DESCRIPTION

- 1. Screwdriver handle
- 1.1 : Front
- 1.2 : Right
- 1.3 : Back
- 1.4 : Left
- 1.5 : Top
- 1.6 : Bottom
- 1.7 : Perspective

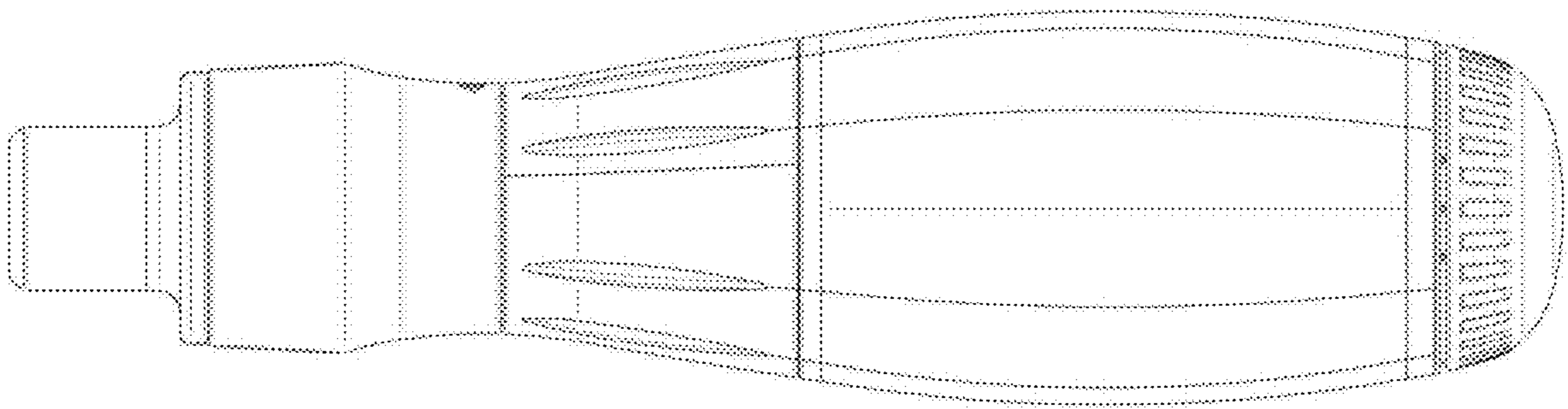
1 Claim, 7 Drawing Sheets



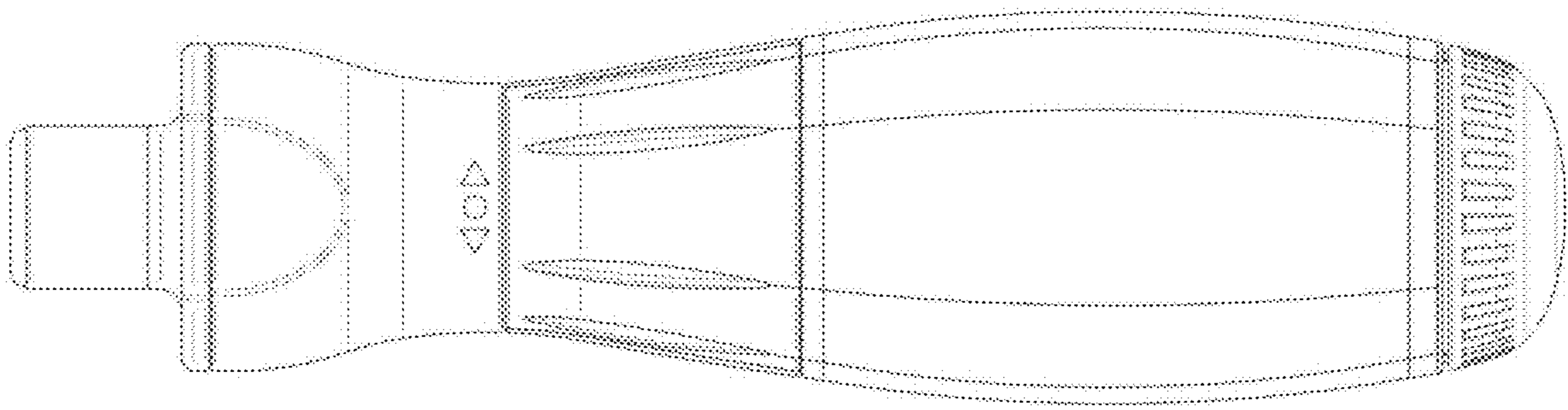
1.1



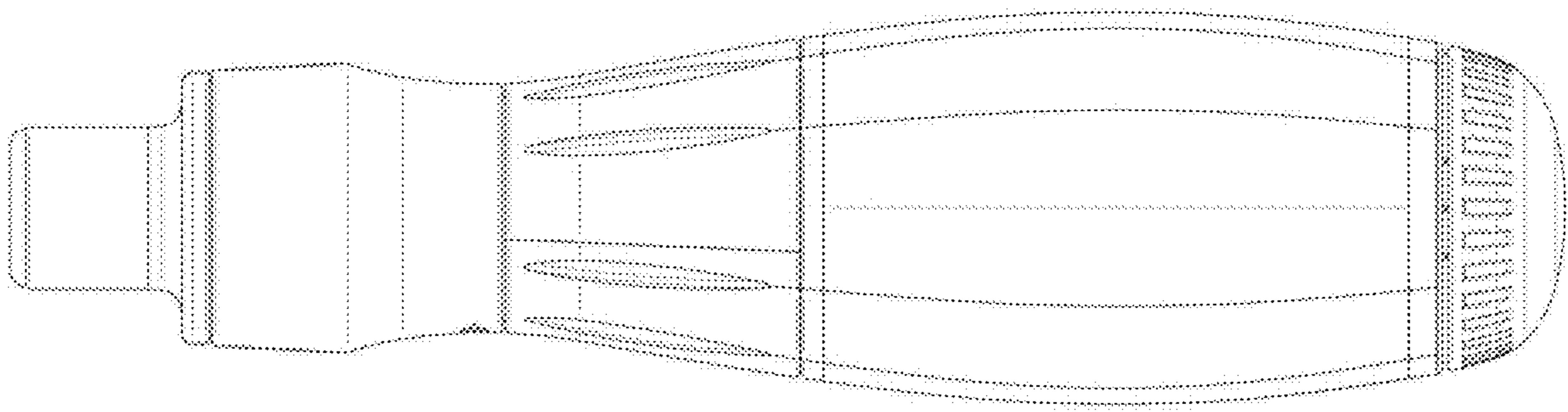
1.2



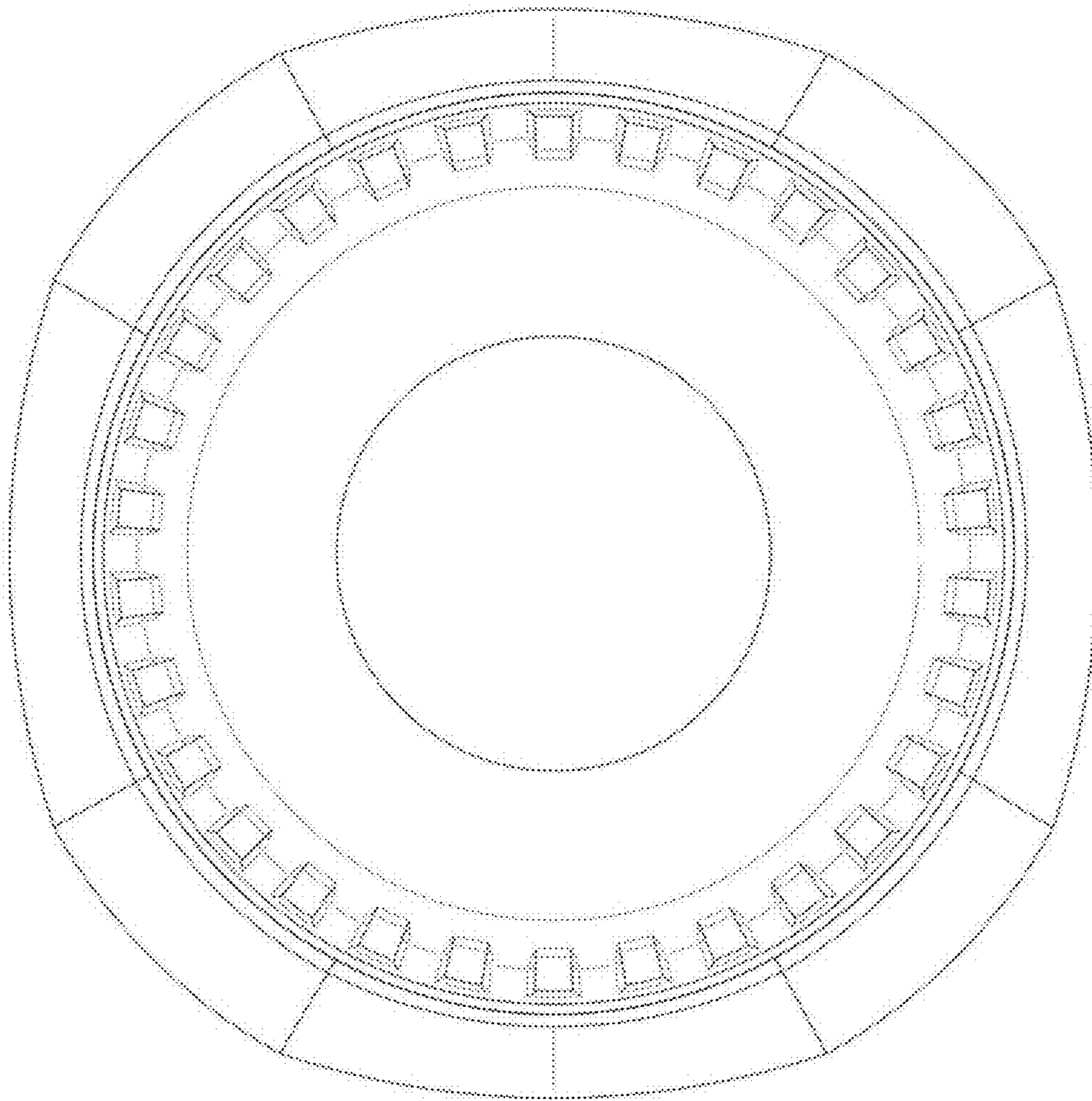
1.3



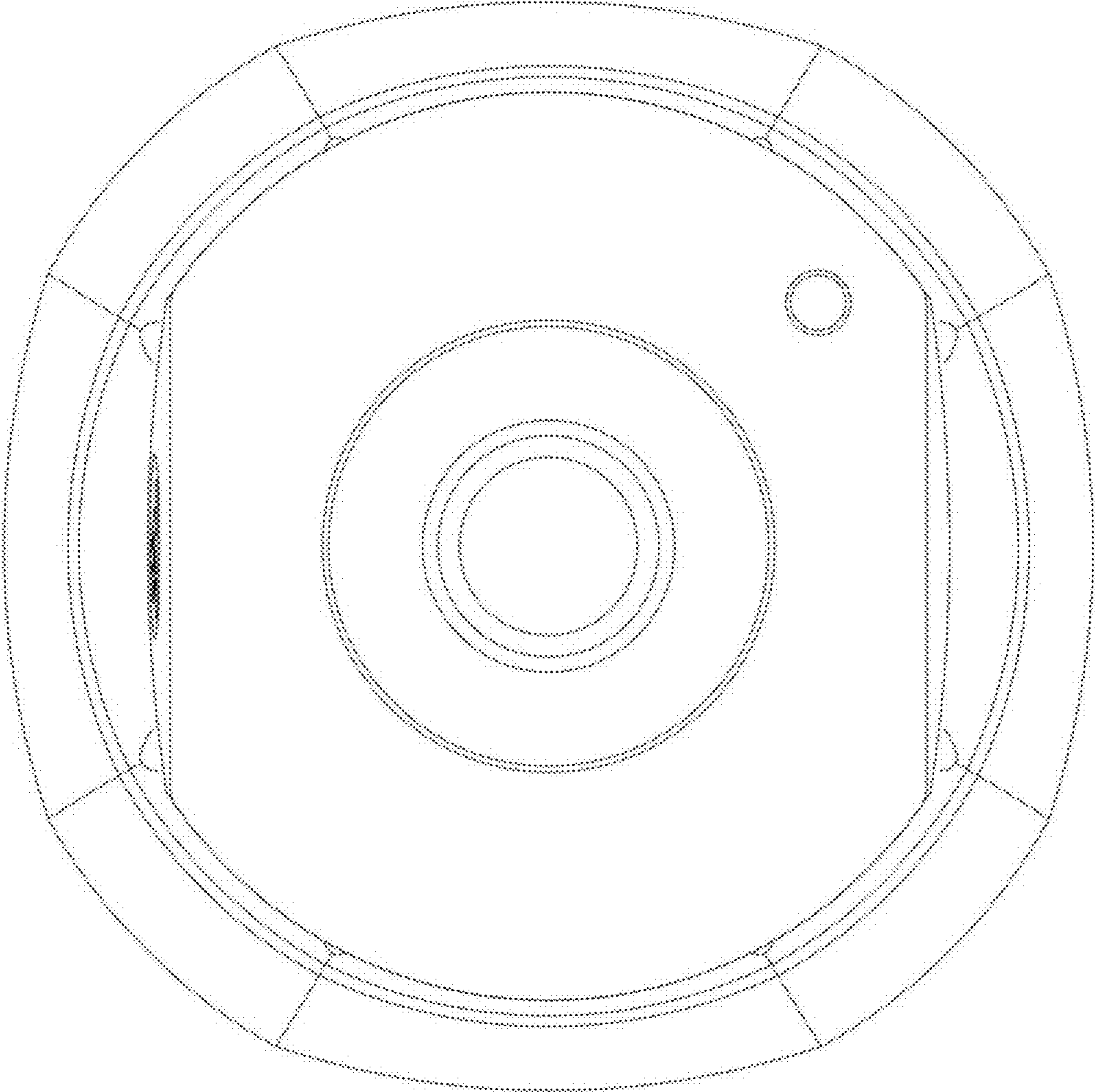
1.4



1.5



1.6



1.7

