



US00D860749S

(12) **United States Design Patent**
Rubinstein

(10) **Patent No.:** **US D860,749 S**

(45) **Date of Patent:** **** Sep. 24, 2019**

- (54) **DEMOLITION HAMMER**
- (71) Applicant: **TRUPER, S.A. de C.V.**, Estado de México (MX)
- (72) Inventor: **Arie Jusidman Rubinstein**, Ciudad de México (MX)
- (73) Assignee: **Truper, S.A. de C.V.**, Estados de Mexico (MX)
- (**) Term: **15 Years**
- (21) Appl. No.: **29/618,532**
- (22) Filed: **Sep. 21, 2017**
- (51) **LOC (12) Cl.** **08-02**
- (52) **U.S. Cl.**
USPC **D8/78; D8/76**
- (58) **Field of Classification Search**
USPC ... D8/14, 75, 76, 77, 78, 79, 80, 81, 88, 89, D8/105
CPC B25F 1/00; B25D 1/00; B25D 1/02; B25D 1/04; B25D 1/045; B25D 1/06; B25D 1/12; B66F 15/00; B25G 1/102; B25B 13/04
See application file for complete search history.

D653,094 S *	1/2012	Onello	D8/77
D672,628 S *	12/2012	Frenkel	D8/78
D770,257 S *	11/2016	Stokes	D8/75
D770,258 S *	11/2016	Stokes	D8/76
D772,671 S *	11/2016	Stokes	D8/75
D808,760 S *	1/2018	Nelson	D8/76
D808,761 S *	1/2018	Nelson	D8/77
2016/0008966 A1 *	1/2016	Stokes	B25G 1/01 81/22

* cited by examiner

Primary Examiner — Philip S Hyder

(74) *Attorney, Agent, or Firm* — Martin & Ferraro, LLP

(57) **CLAIM**

The ornamental design for a demolition hammer, as shown and described.

DESCRIPTION

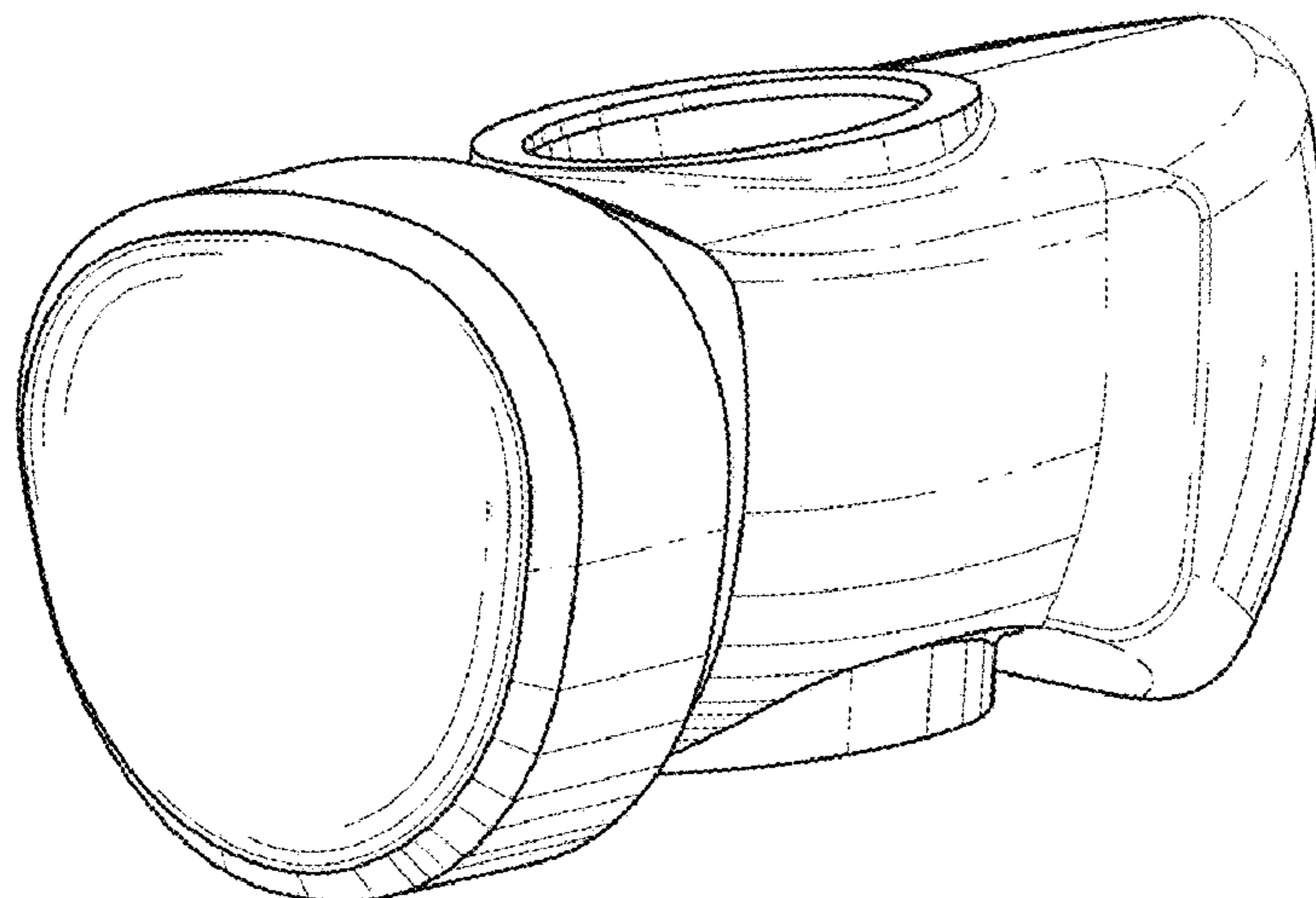
FIG. 1 is a rear perspective view of a demolition hammer in accordance with an embodiment of the present invention; FIG. 2 is a front perspective view of the demolition hammer of FIG. 1; FIG. 3 is a right side elevational view of the demolition hammer of FIG. 1, the left side elevational view being a mirror image thereof; FIG. 4 is a top plan view of the demolition hammer of FIG. 1; FIG. 5 is a bottom plan view of the demolition hammer of FIG. 1; FIG. 6 is a front elevational view of the demolition hammer of the FIG. 1; and, FIG. 7 is a rear elevational view of the demolition hammer of the FIG. 1.

1 Claim, 7 Drawing Sheets

(56) **References Cited**

U.S. PATENT DOCUMENTS

D257,826 S *	1/1981	Jones	D8/11
D631,722 S *	2/2011	Lamarre	D8/76
D644,498 S *	9/2011	Chen	D8/78
D652,703 S *	1/2012	Onello	D8/77



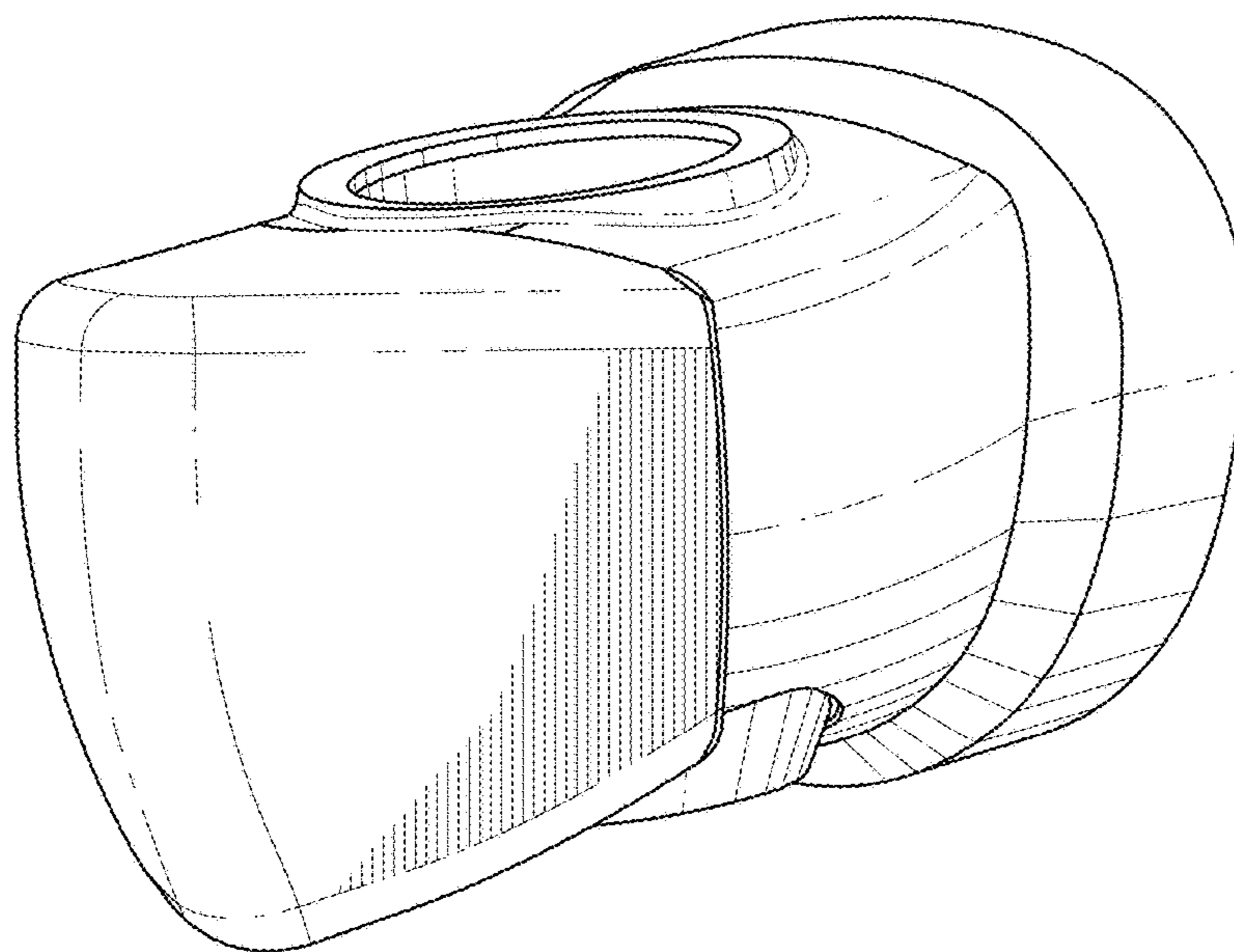


FIG. 1

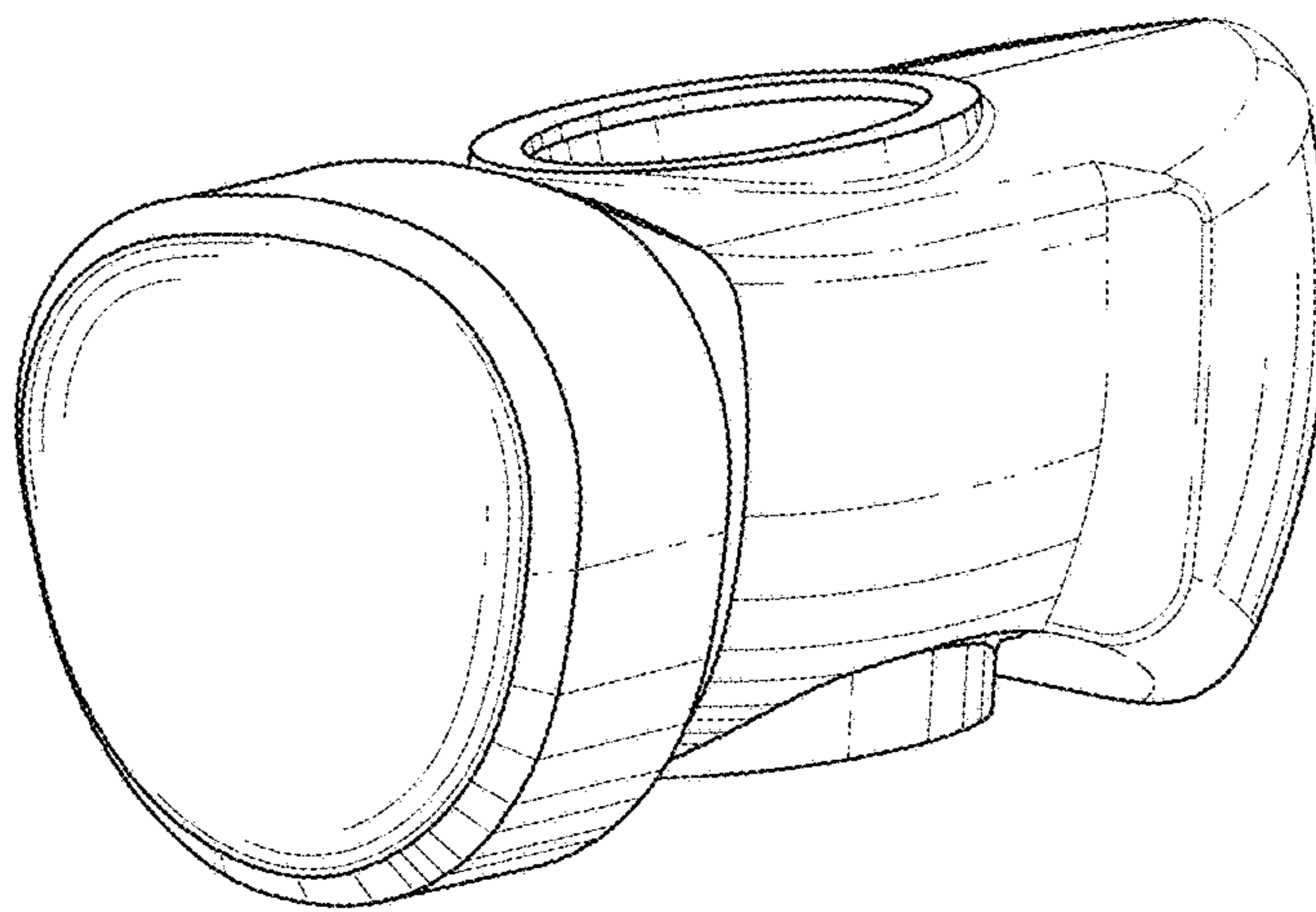


FIG. 2

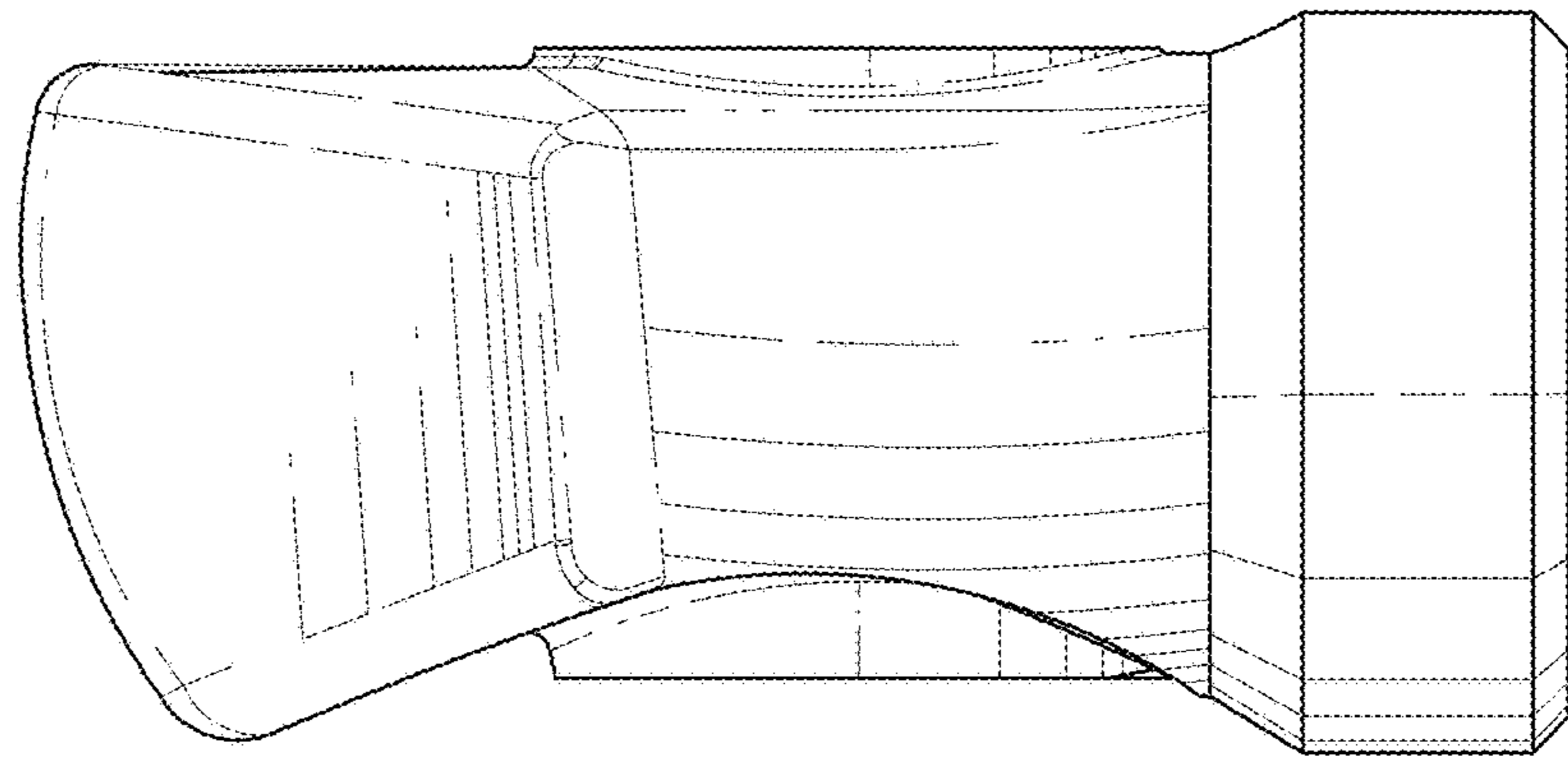


FIG. 3

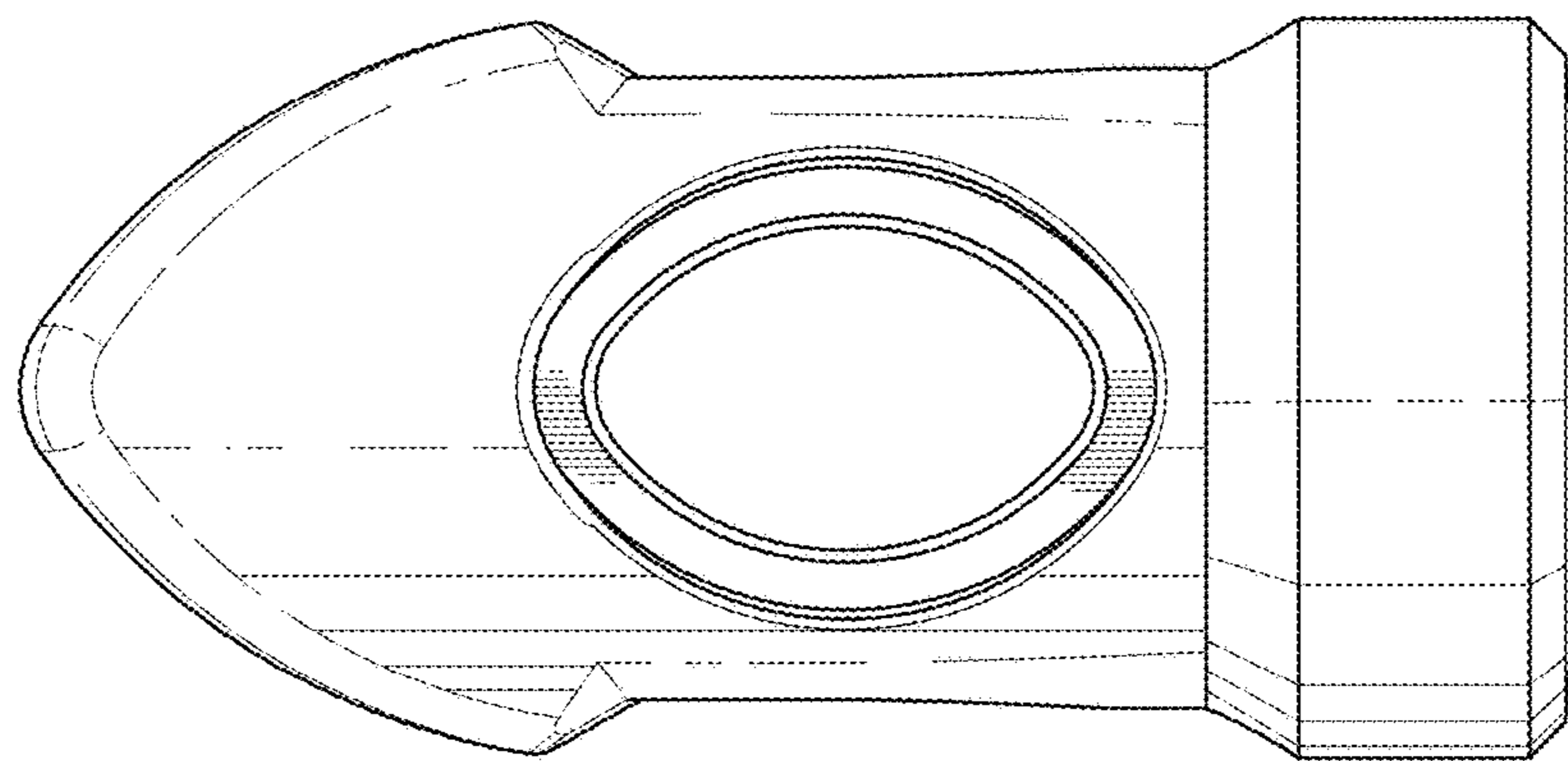


FIG. 4

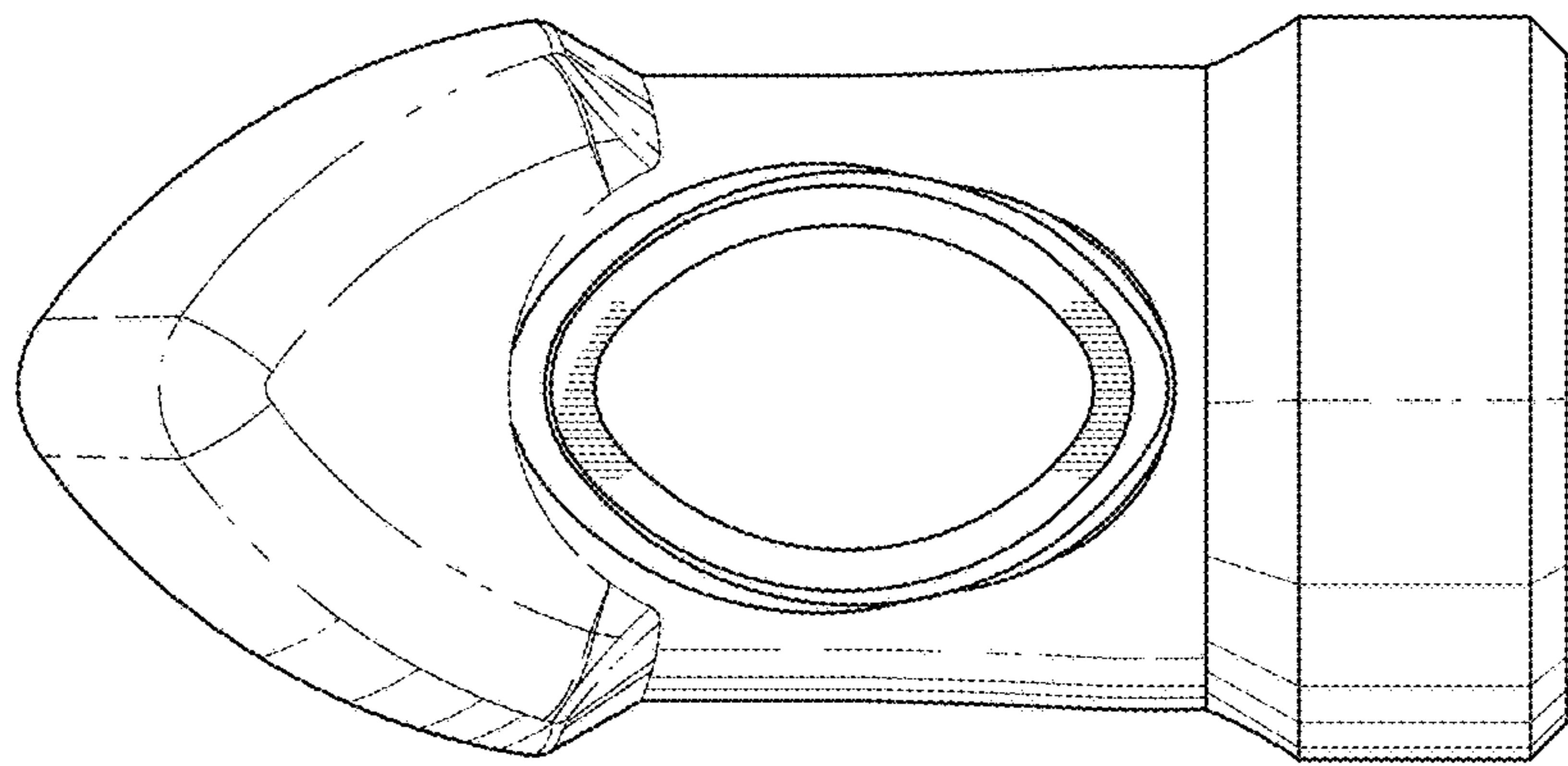


FIG. 5

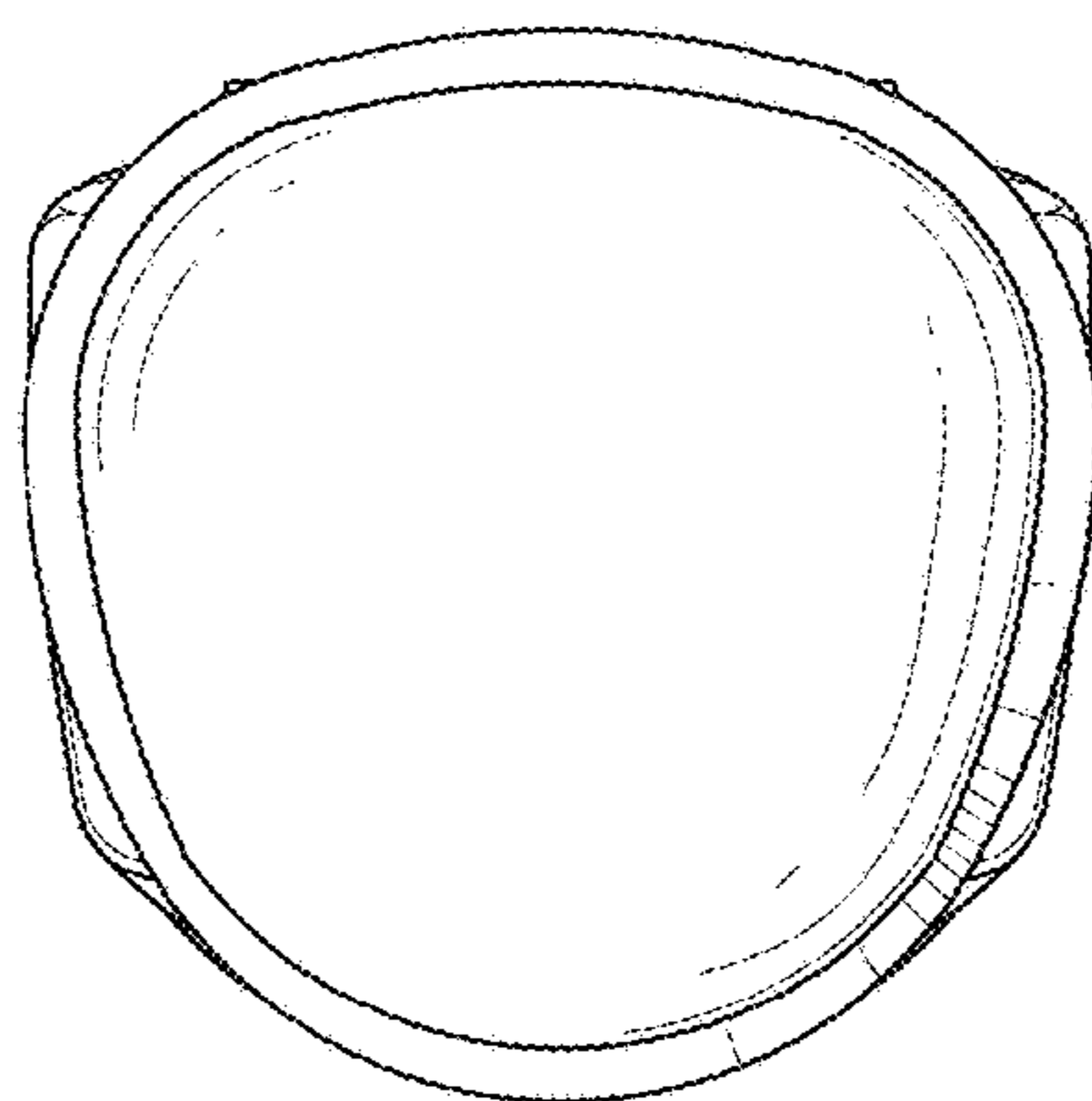


FIG. 6

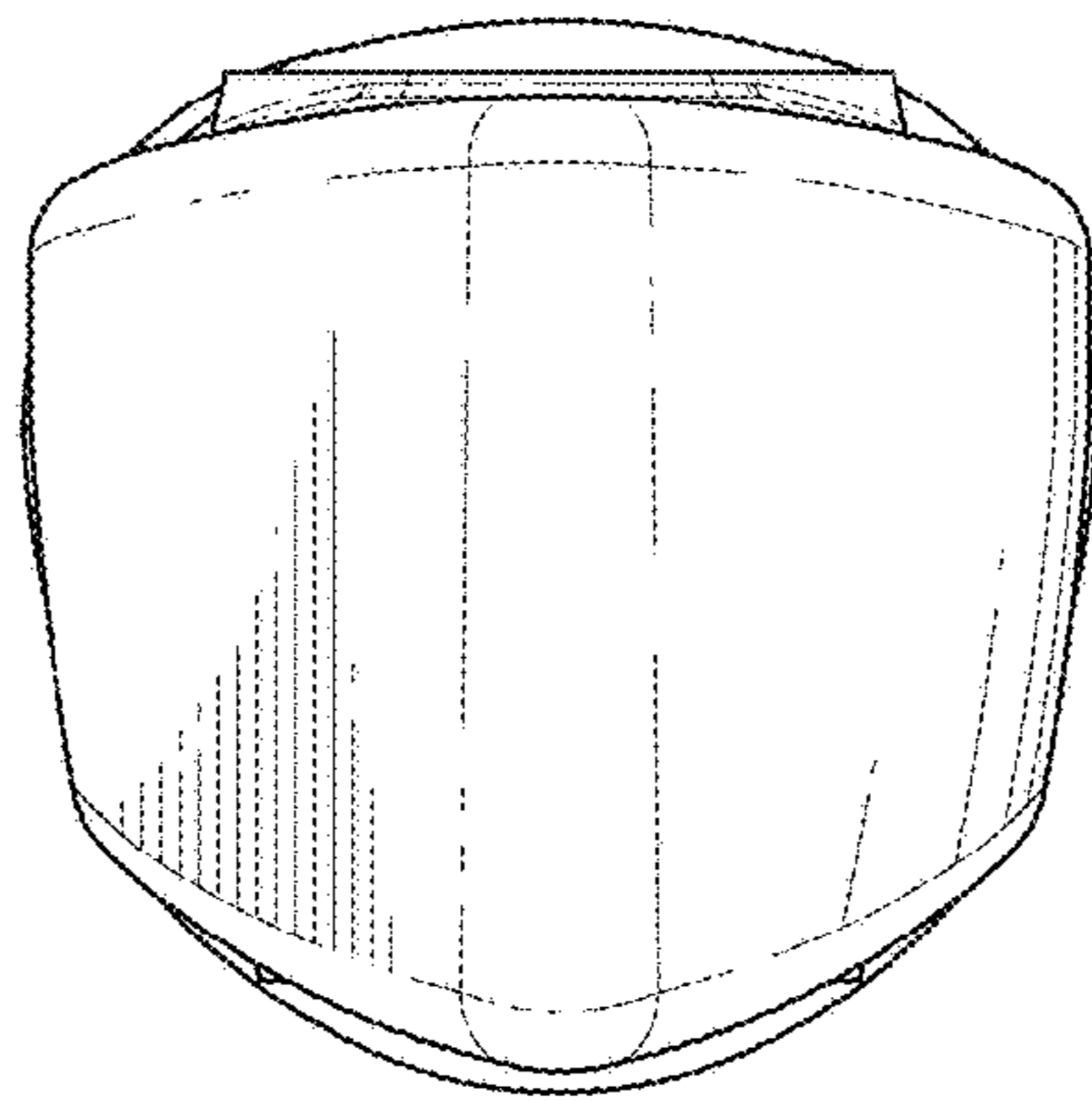


FIG. 7