



US00D860746S

(12) **United States Design Patent**
Nyström et al.

(10) **Patent No.:** **US D860,746 S**

(45) **Date of Patent:** **** Sep. 24, 2019**

- (54) **RIVETING DEVICE**
- (71) Applicant: **Henrob Limited**, Flintshire (GB)
- (72) Inventors: **Ola Petter Nyström**, Hägersten (SE);
Ola Andreas Stray, Saltsjöbaden (SE)
- (73) Assignee: **Atlas Copco IAS UK Limited**,
Flintshire (GB)
- (**) Term: **15 Years**
- (21) Appl. No.: **29/629,638**
- (22) Filed: **Dec. 14, 2017**
- (30) **Foreign Application Priority Data**

6,276,037 B1 * 8/2001 Solfronk B21J 15/105
29/243.525

D462,883 S * 9/2002 Steiner D8/68
6,732,563 B1 * 5/2004 Chen B21J 15/043
29/243.53

6,978,526 B1 * 12/2005 Lin B21J 15/105
29/243.523

D515,377 S * 2/2006 Chung D8/68
D521,339 S * 5/2006 Chen D8/68
D521,340 S * 5/2006 Lin D8/68
7,082,657 B1 * 8/2006 Lin B21J 15/043
29/243.523

7,284,404 B2 * 10/2007 Lin B25B 27/0014
29/243.525

7,818,858 B2 * 10/2010 Daniels F16G 3/16
198/844.2

D681,413 S * 5/2013 Kita D8/61
8,443,512 B2 * 5/2013 Masugata B21J 15/043
29/243.521

- Jun. 16, 2017 (EM) 004051787-0001
- Jun. 16, 2017 (EM) 004051787-0002
- (51) **LOC (12) Cl.** **08-05**
- (52) **U.S. Cl.**
USPC **D8/68**
- (58) **Field of Classification Search**
USPC D8/61, 67, 68
CPC . B21J 15/043; B21J 15/22; B21J 15/36; B21J
15/326
See application file for complete search history.

* cited by examiner

Primary Examiner — Darlington Ly
(74) *Attorney, Agent, or Firm* — Michael Best & Friedrich LLP

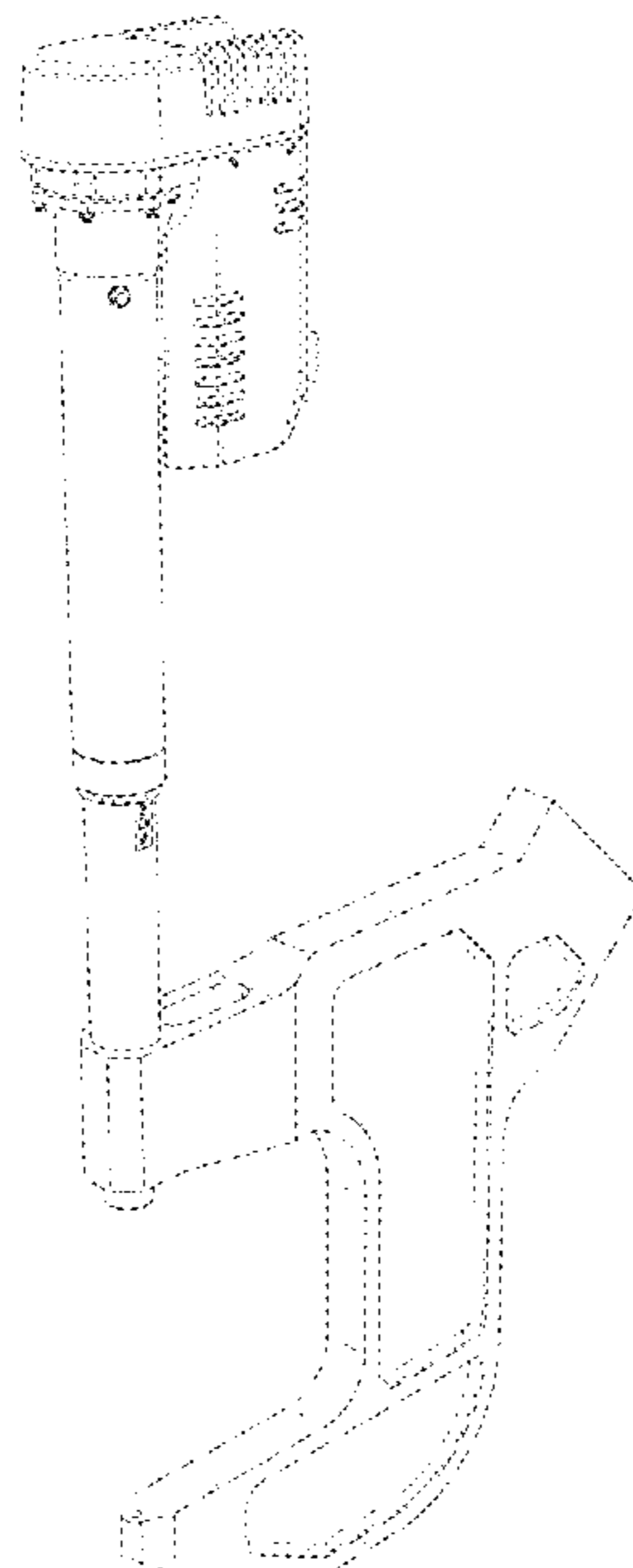
- (56) **References Cited**
U.S. PATENT DOCUMENTS
- D198,230 S * 5/1964 Babel D8/68
- D256,658 S * 9/1980 Ewig D8/61
- 4,571,976 A * 2/1986 Schwab B25B 27/0014
72/114
- 5,100,023 A * 3/1992 Varian B21J 15/105
221/239

(57) **CLAIM**
We claim the ornamental design for a riveting device, as shown and described.

DESCRIPTION

FIG. 1 is a perspective view of a riveting device showing our new design;
FIG. 2 is a bottom plan view thereof;
FIG. 3 is a front elevation view thereof;
FIG. 4 is a right side elevation view thereof;
FIG. 5 is a rear elevation view thereof;
FIG. 6 is a left side elevation view thereof; and,
FIG. 7 is a top plan view thereof.

1 Claim, 7 Drawing Sheets



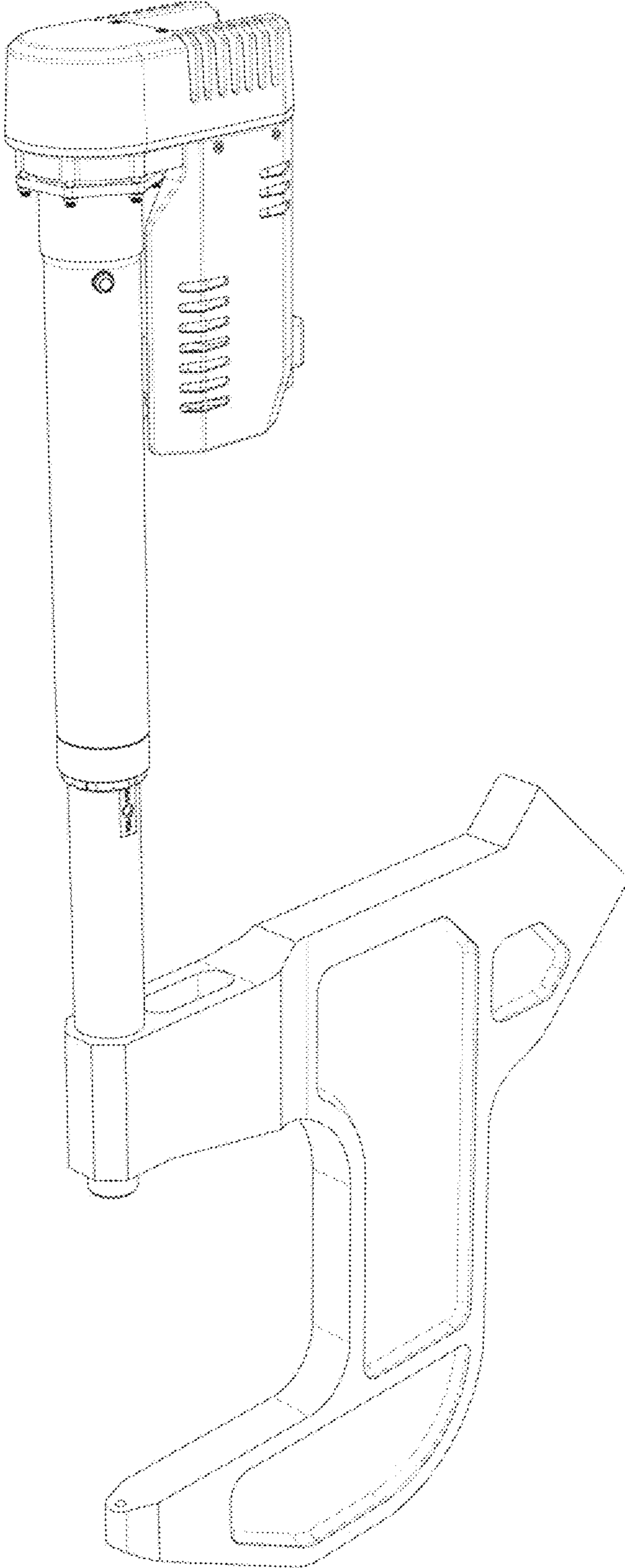


FIG. 1

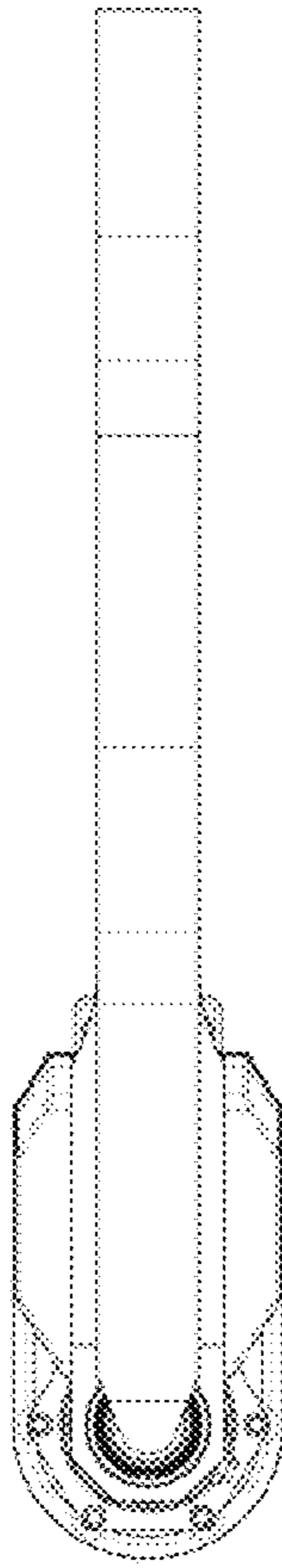


FIG. 2

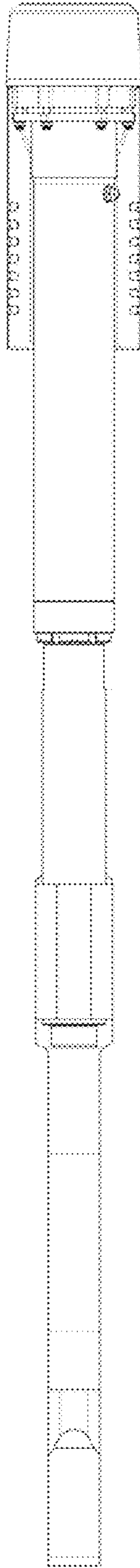


FIG. 3

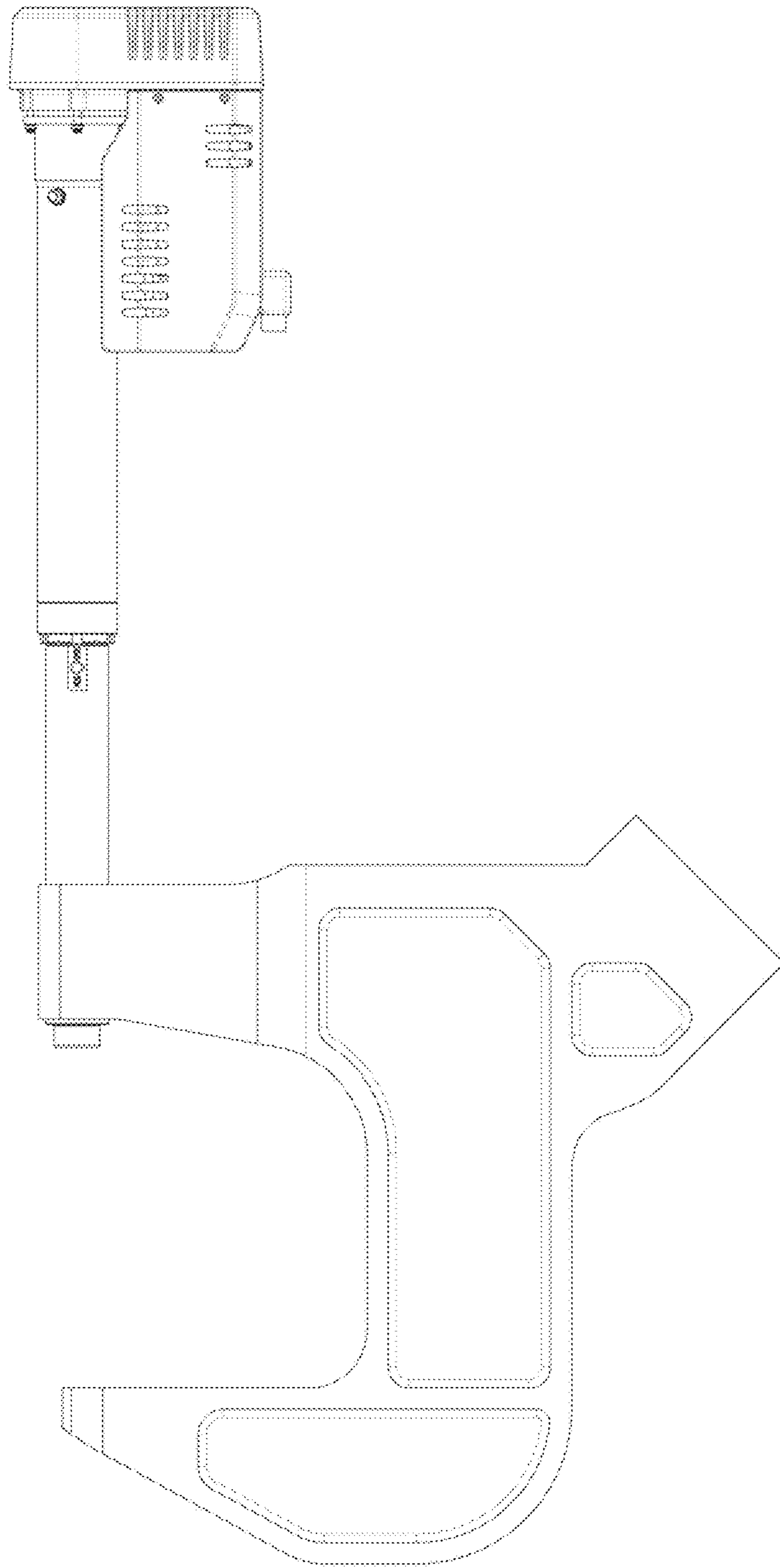


FIG. 4

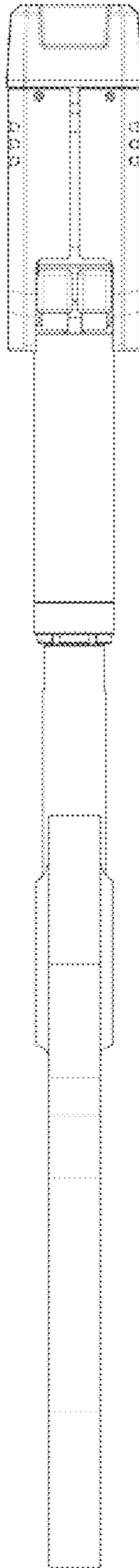


FIG. 5

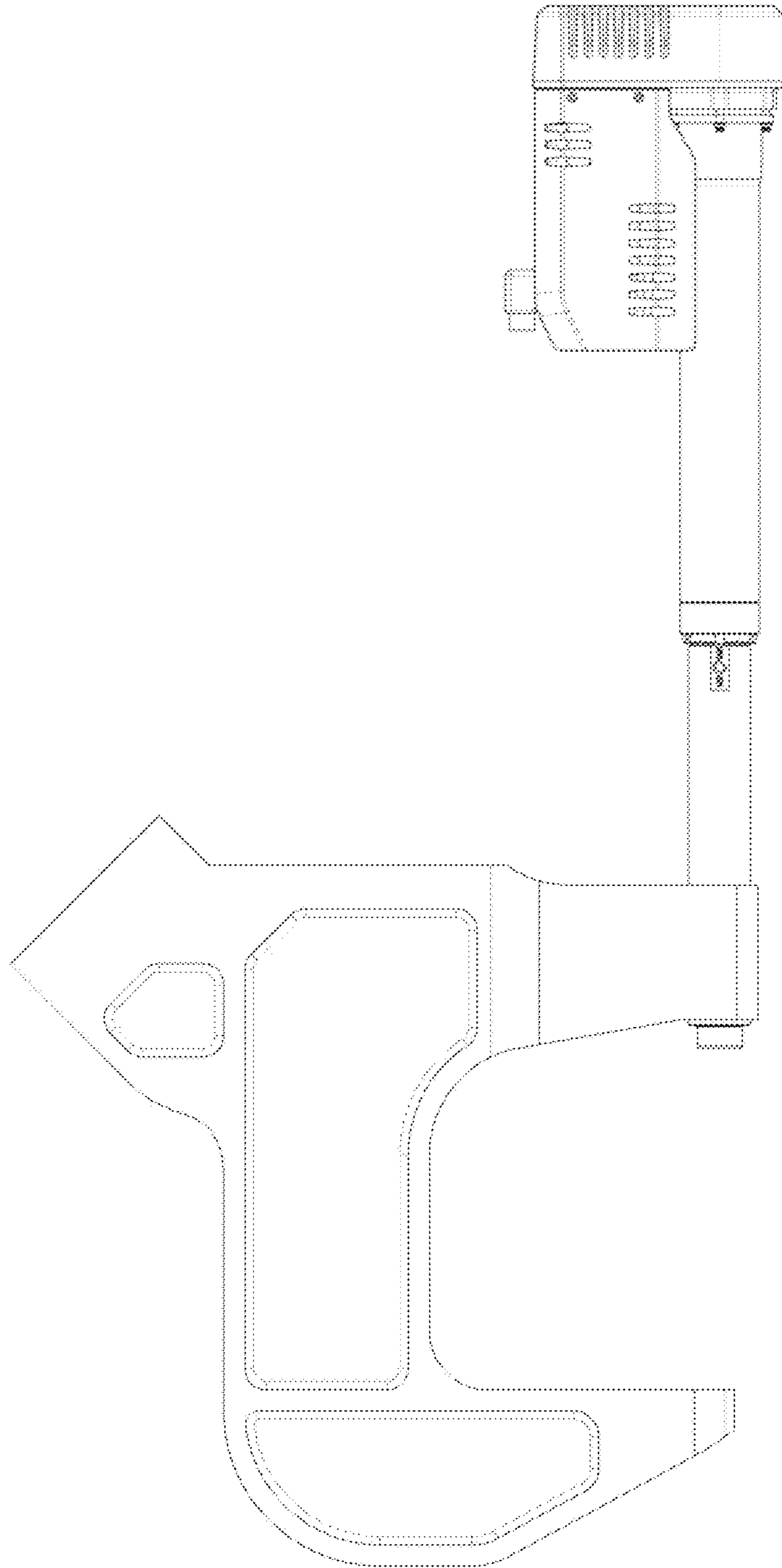


FIG. 6

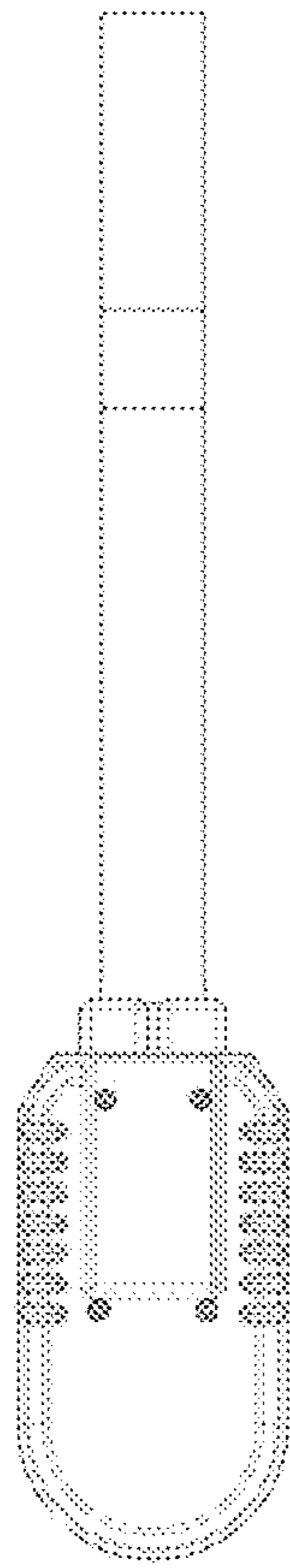


FIG. 7