



US00D860744S

(12) **United States Design Patent** (10) **Patent No.:** **US D860,744 S**
Lau (45) **Date of Patent:** **** Sep. 24, 2019**

(54) **CHAINSAW**

(71) Applicant: **TTI (MACAO COMMERCIAL OFFSHORE) LIMITED, Macau (MO)**

(72) Inventor: **Ka Chun Lau, Kwai Chung (CN)**

(73) Assignee: **TTI (MACAO COMMERCIAL OFFSHORE) LIMITED, Macau, MO (US)**

(**) Term: **15 Years**

(21) Appl. No.: **29/580,301**

(22) Filed: **Oct. 7, 2016**

(30) **Foreign Application Priority Data**

Apr. 8, 2016 (CN) 2016 3 0114781
Sep. 2, 2016 (CN) 2016 3 0462044

(51) **LOC (12) Cl.** **08-03**

(52) **U.S. Cl.**
USPC **D8/65**

(58) **Field of Classification Search**
USPC D8/8, 20, 64, 65, 70; D15/138, 133
CPC A01G 3/053; A01G 3/0535; B27B 17/025;
B27B 17/00; B27B 17/02; B27B 17/04;
Y10T 83/8878

See application file for complete search history.

(56) **References Cited**

U.S. PATENT DOCUMENTS

4,796,360 A * 1/1989 Fischer B27B 17/08
30/384
D445,657 S * 7/2001 Jong D8/65
D606,829 S * 12/2009 Tinius D8/65
D690,570 S * 10/2013 Tinius D8/65
D711,700 S * 8/2014 Mehra D8/65
D755,033 S * 5/2016 Zhou D8/65
D767,962 S * 10/2016 Schoch D8/65

D790,303 S * 6/2017 Tinius D8/65
2004/0111897 A1 * 6/2004 Graves B27B 17/025
30/387
2008/0262706 A1 * 10/2008 Olsson B23D 59/008
701/112
2011/0010952 A1 * 1/2011 Galster B27B 17/02
30/387
2014/0215838 A1 * 8/2014 Bergquist B27B 17/0008
30/383
2016/0039110 A1 * 2/2016 Schiedt F16D 41/12
30/386
2016/0257026 A1 * 9/2016 Lux B27B 17/02
2017/0259359 A1 * 9/2017 Kachi B27B 17/0033
2017/0297216 A1 * 10/2017 Kachi B27B 17/00

* cited by examiner

Primary Examiner — Sandra S Snapp

Assistant Examiner — Ieisha N Price

(74) *Attorney, Agent, or Firm* — Michael Best & Friedrich LLP

(57) **CLAIM**

I claim the ornamental design for a chainsaw, as shown and described.

DESCRIPTION

FIG. 1 is a front, top, left perspective view of a chainsaw showing the present invention.

FIG. 2 is a rear, top, left perspective view of the chainsaw of FIG. 1.

FIG. 3 is a front, bottom, left perspective view of the chainsaw of FIG. 1.

FIG. 4 is a left side view of the chainsaw of FIG. 1.

FIG. 5 is a right side view of the chainsaw of FIG. 1.

FIG. 6 is a top view of the chainsaw of FIG. 1.

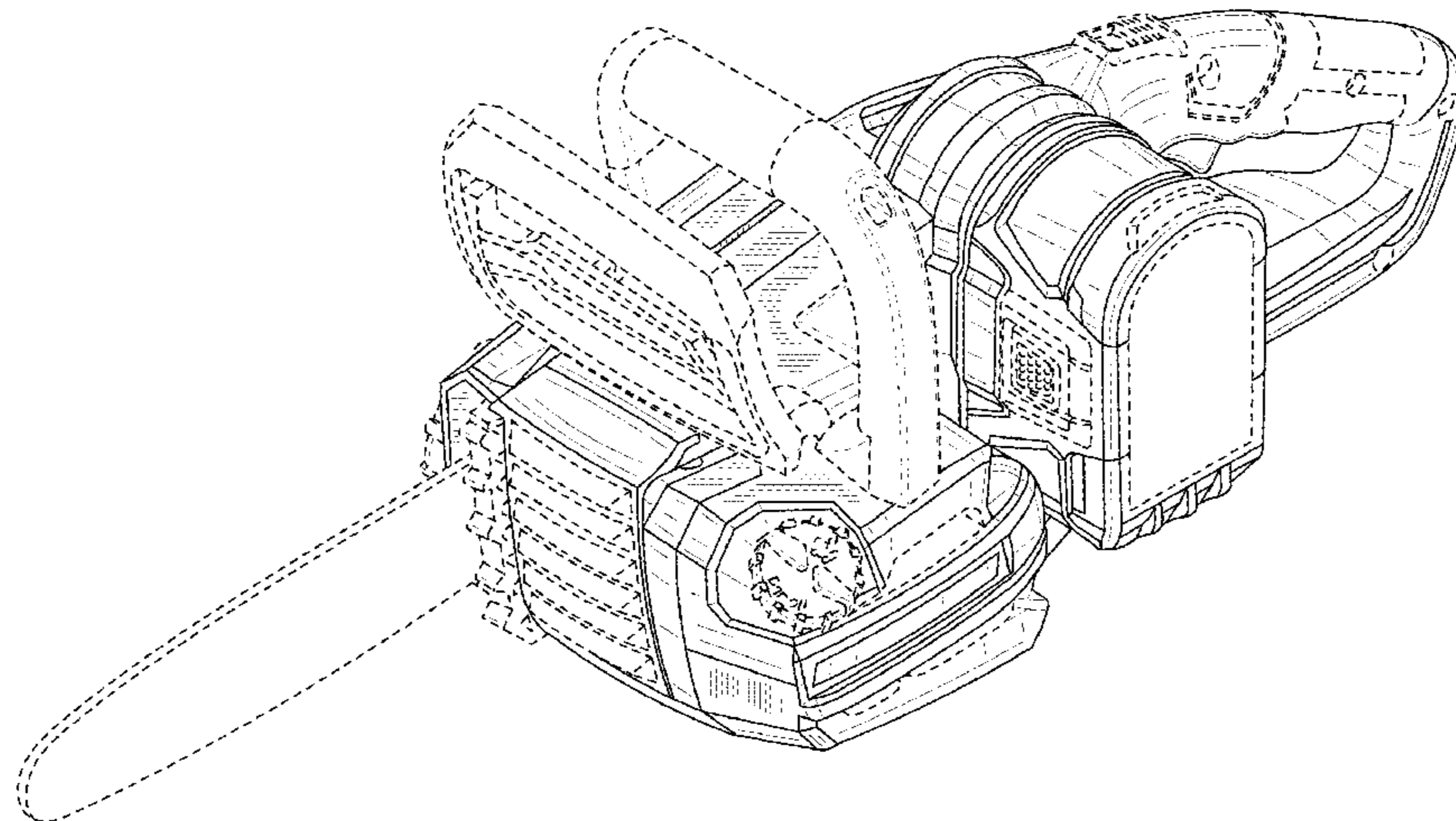
FIG. 7 is a bottom view of the chainsaw of FIG. 1.

FIG. 8 is a front view of the chainsaw of FIG. 1; and,

FIG. 9 is a rear view of the chainsaw of FIG. 1.

The broken lines in the drawings illustrate portions of the chainsaw and form no part of the claimed design.

1 Claim, 9 Drawing Sheets



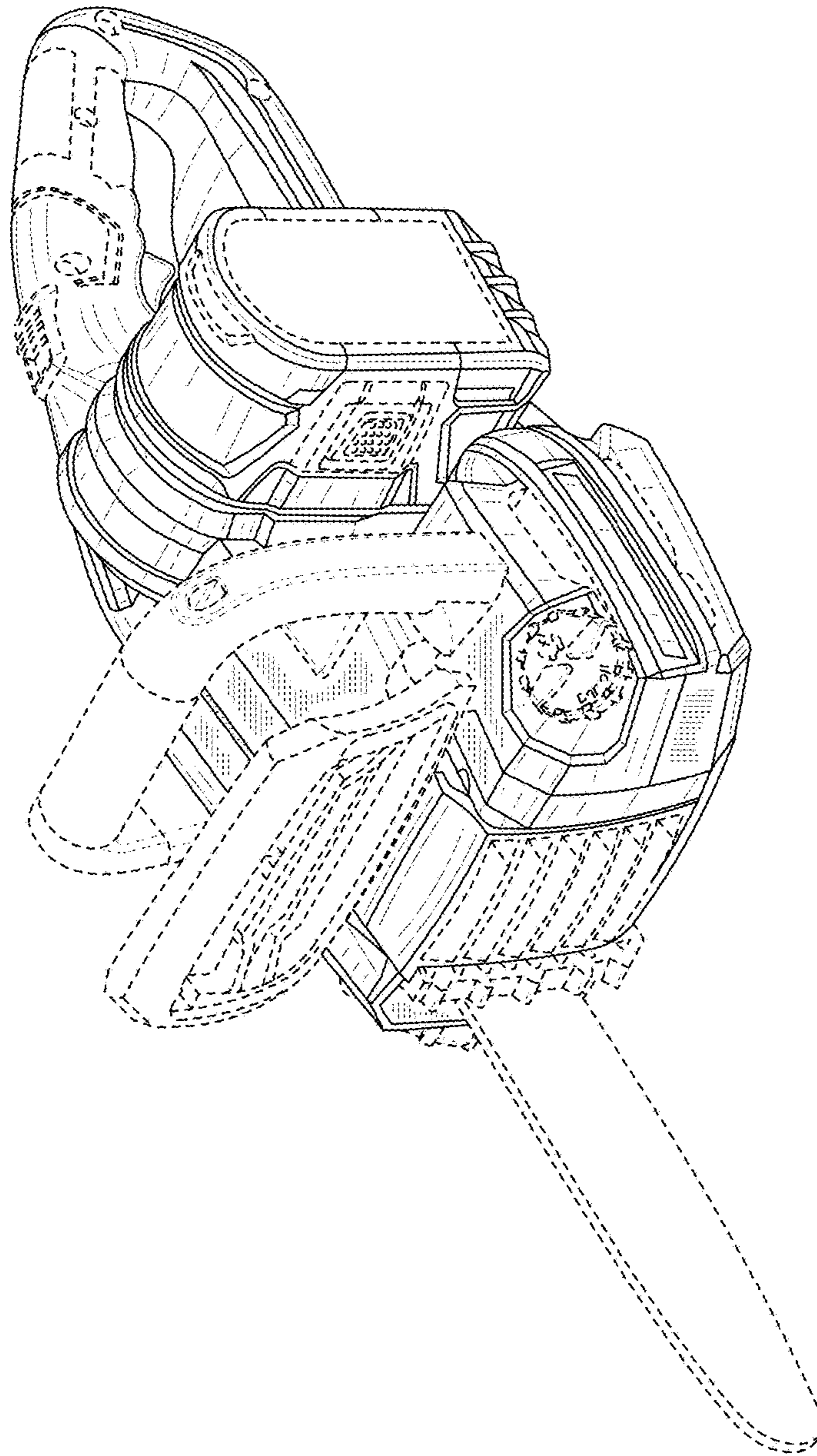


FIG. 1

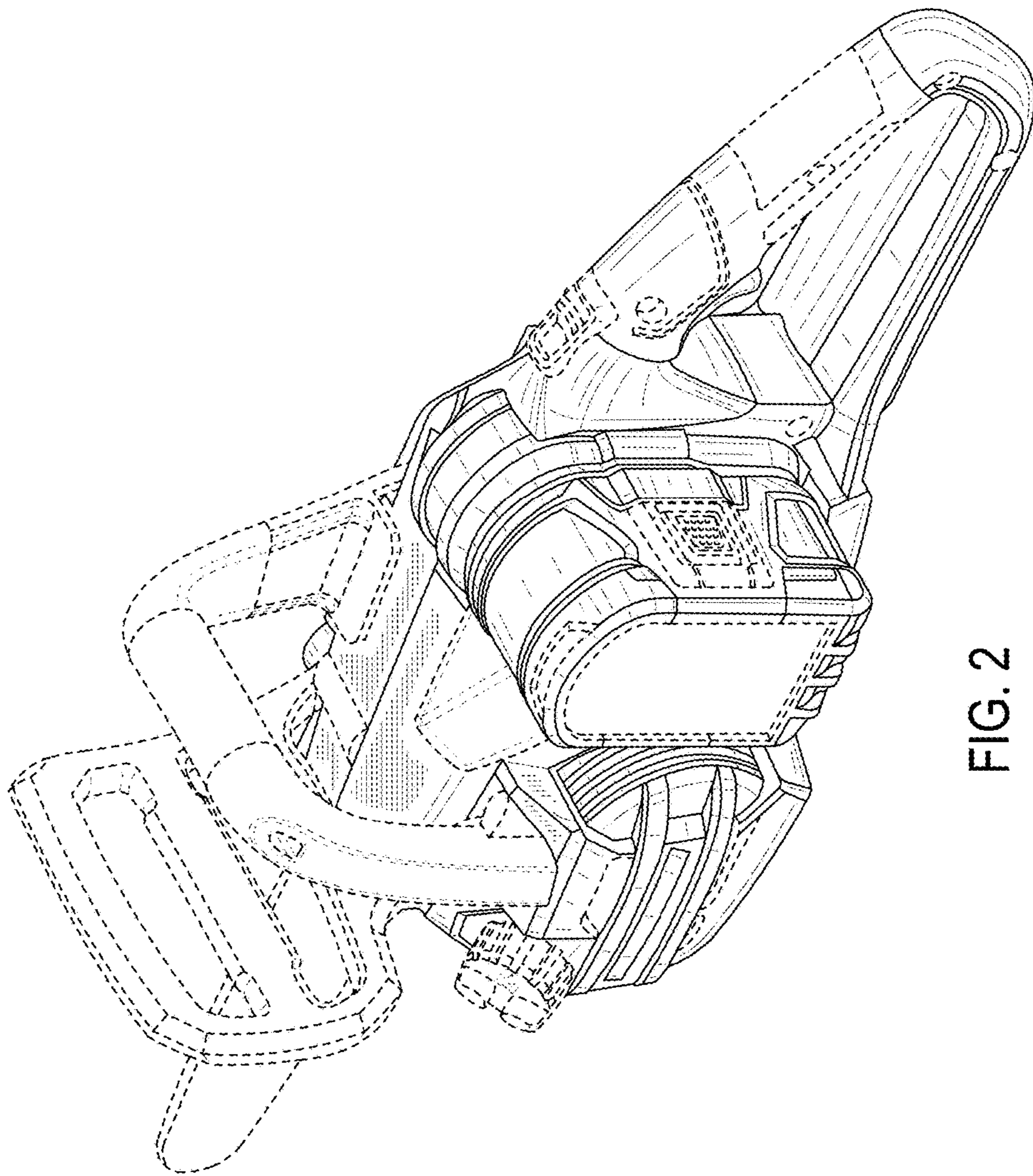


FIG. 2

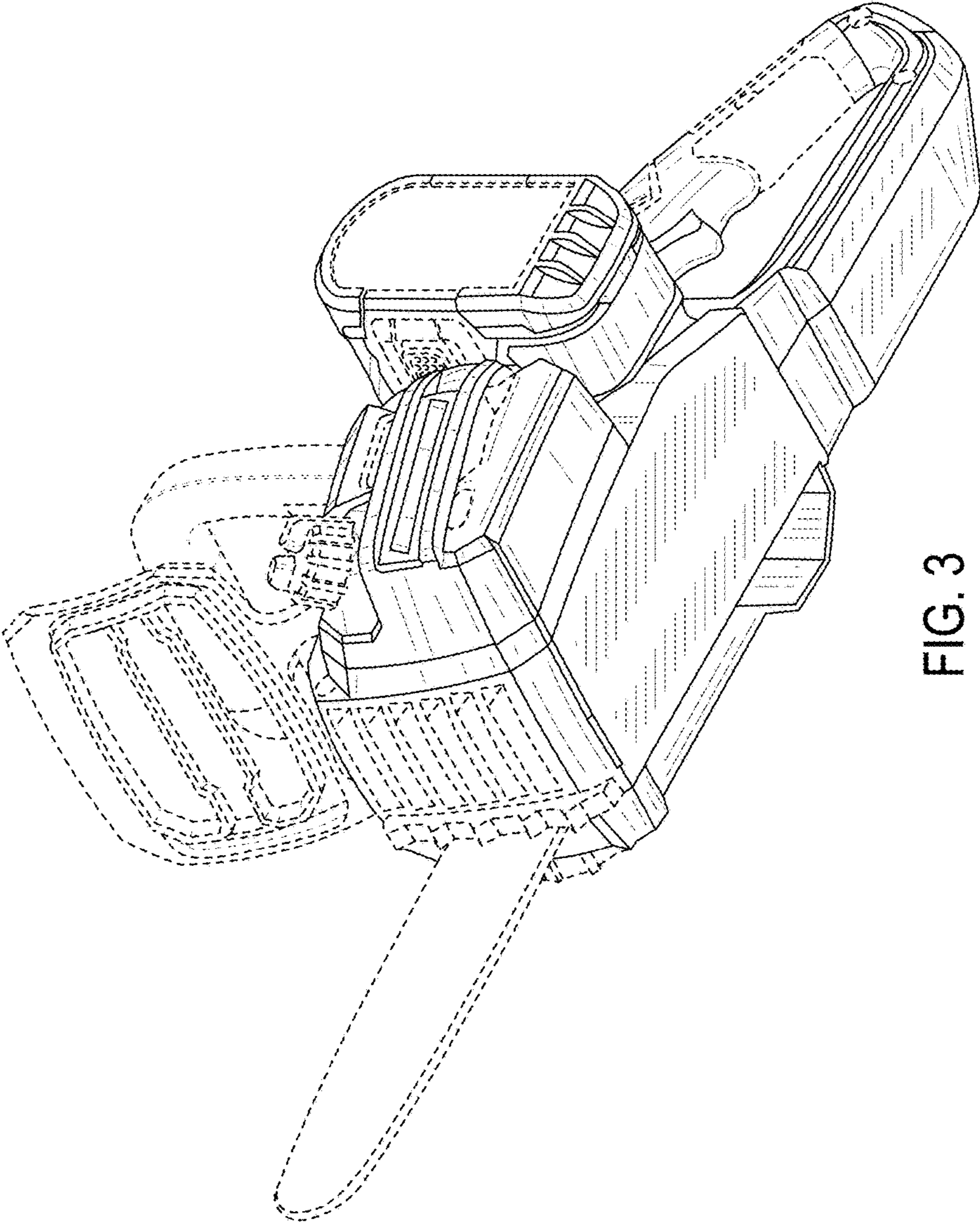


FIG. 3

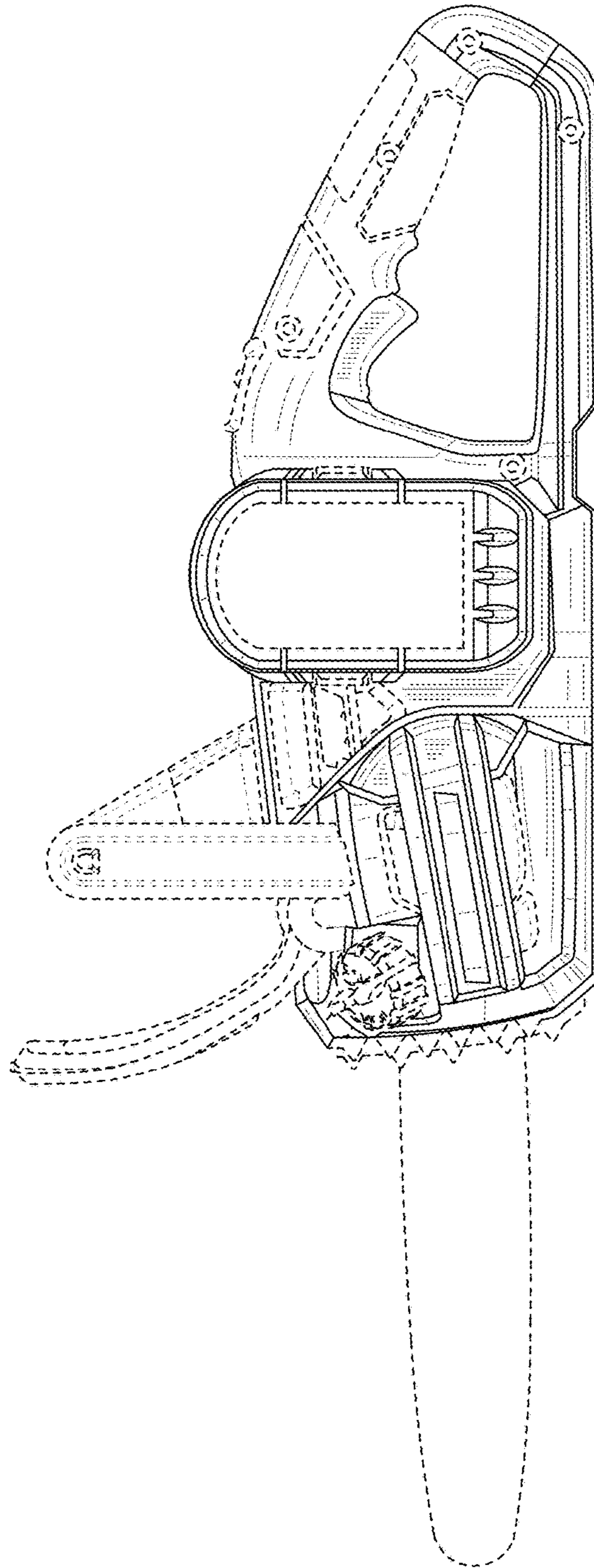


FIG. 4

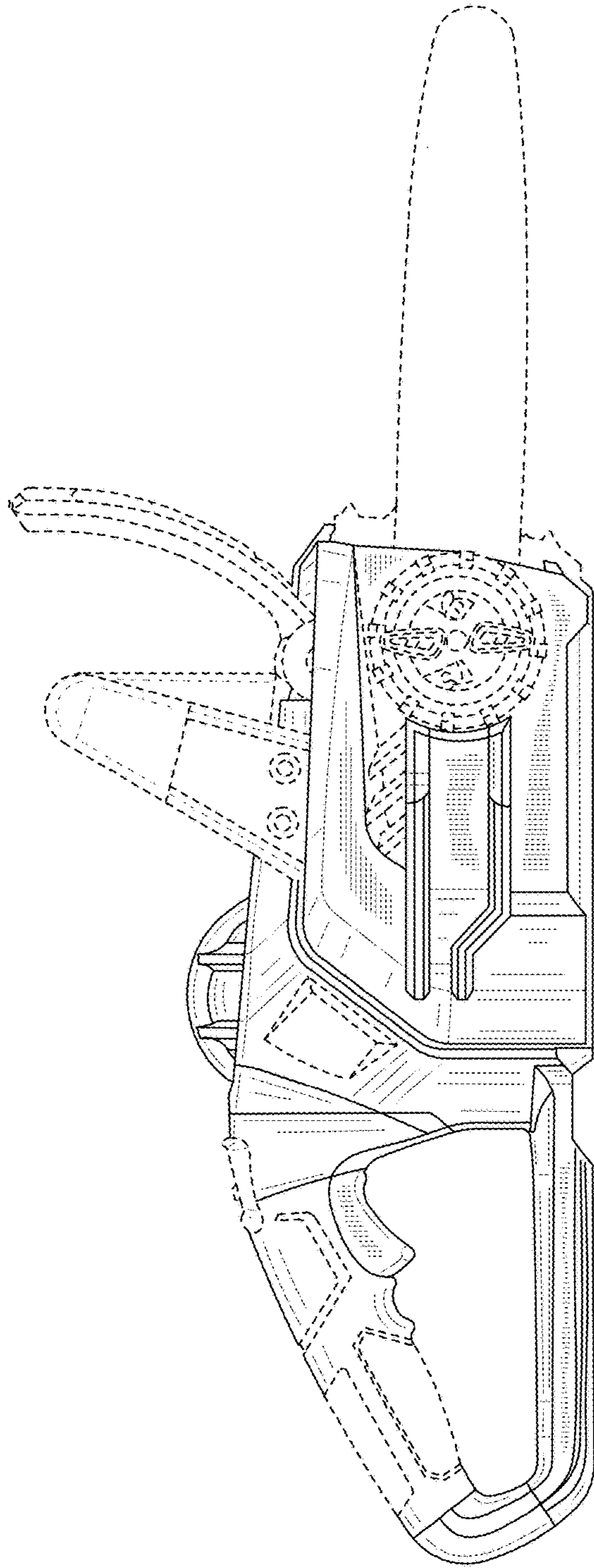


FIG. 5

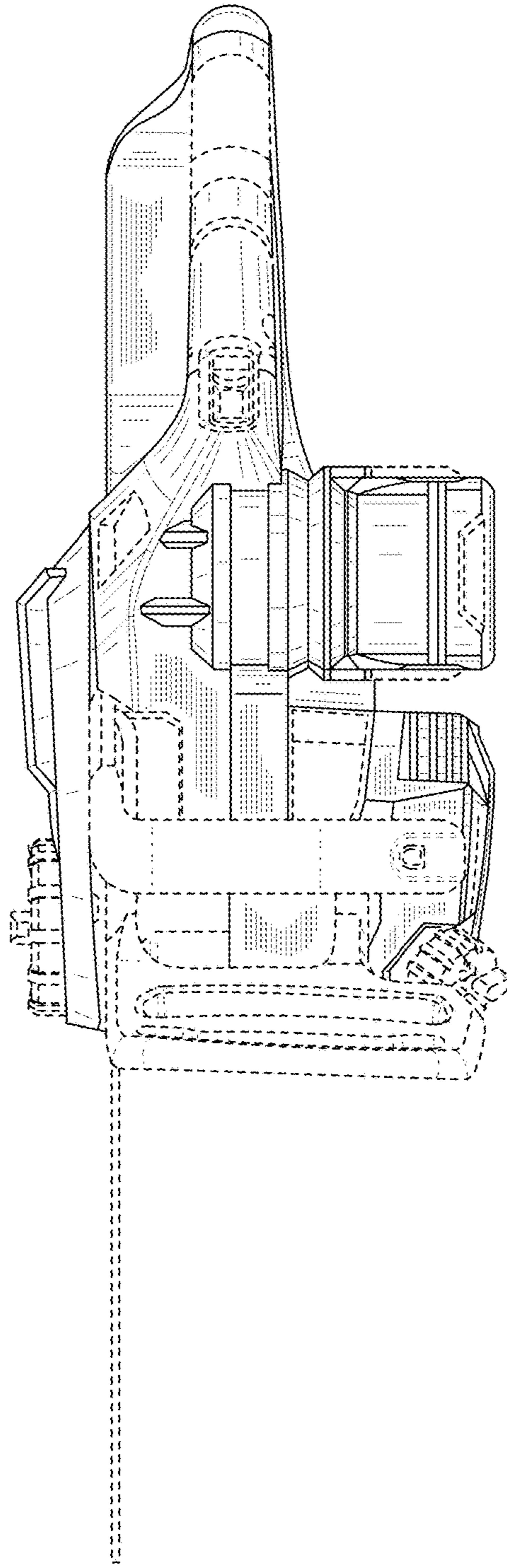


FIG. 6

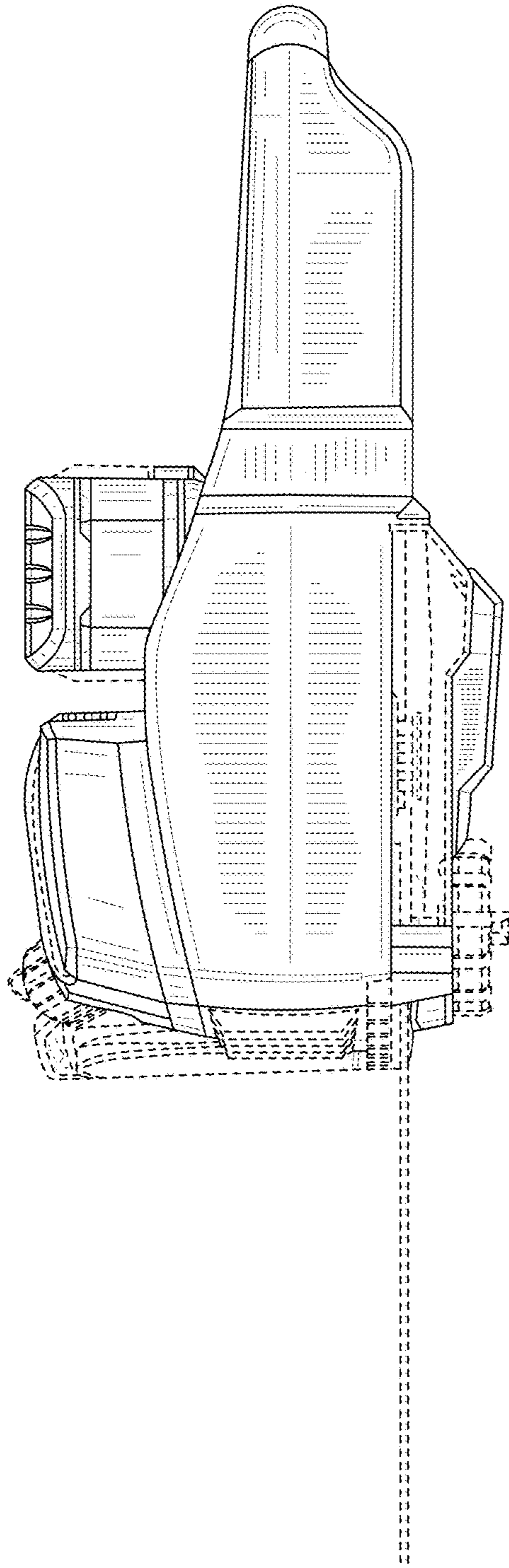


FIG. 7

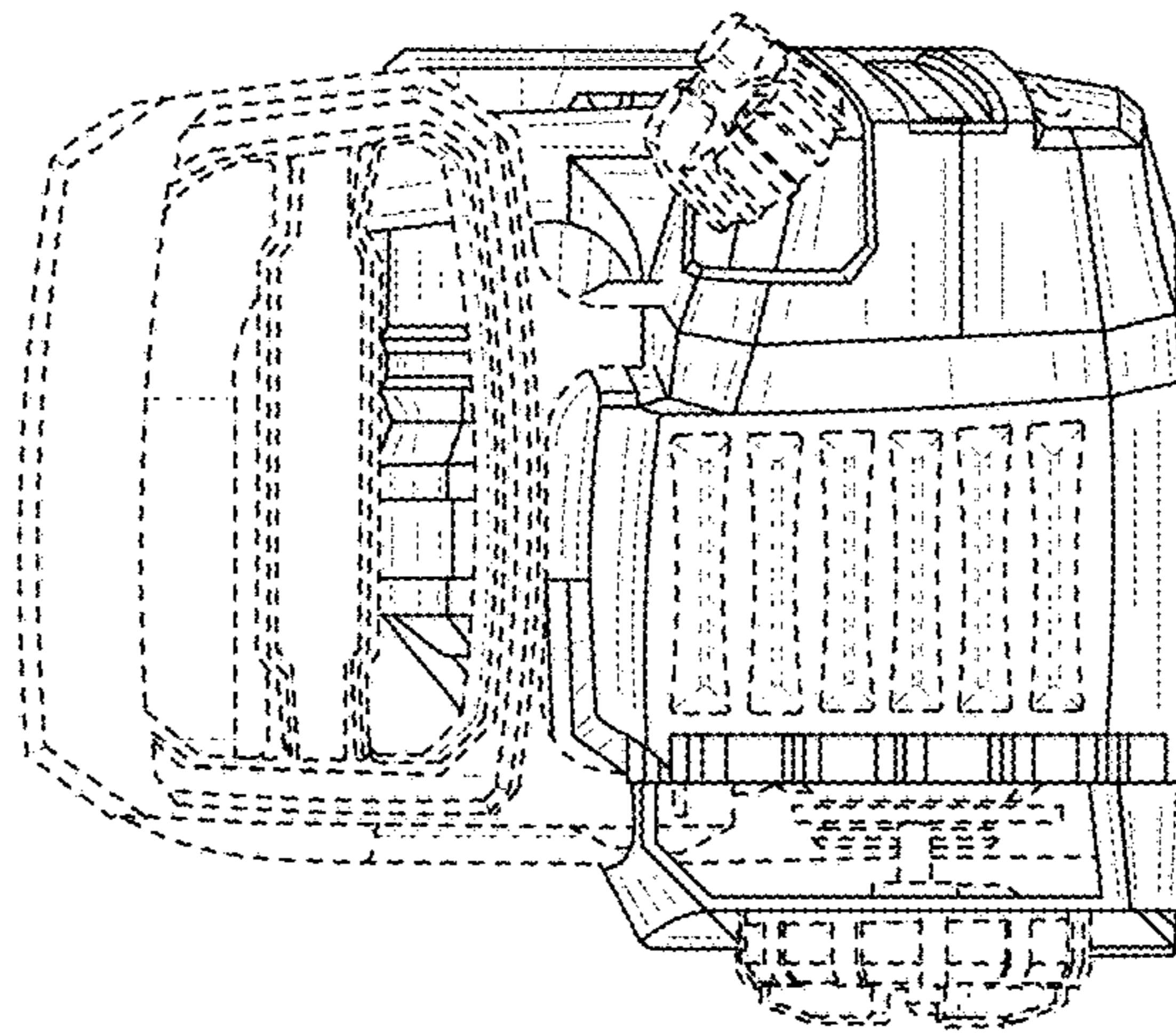


FIG. 8

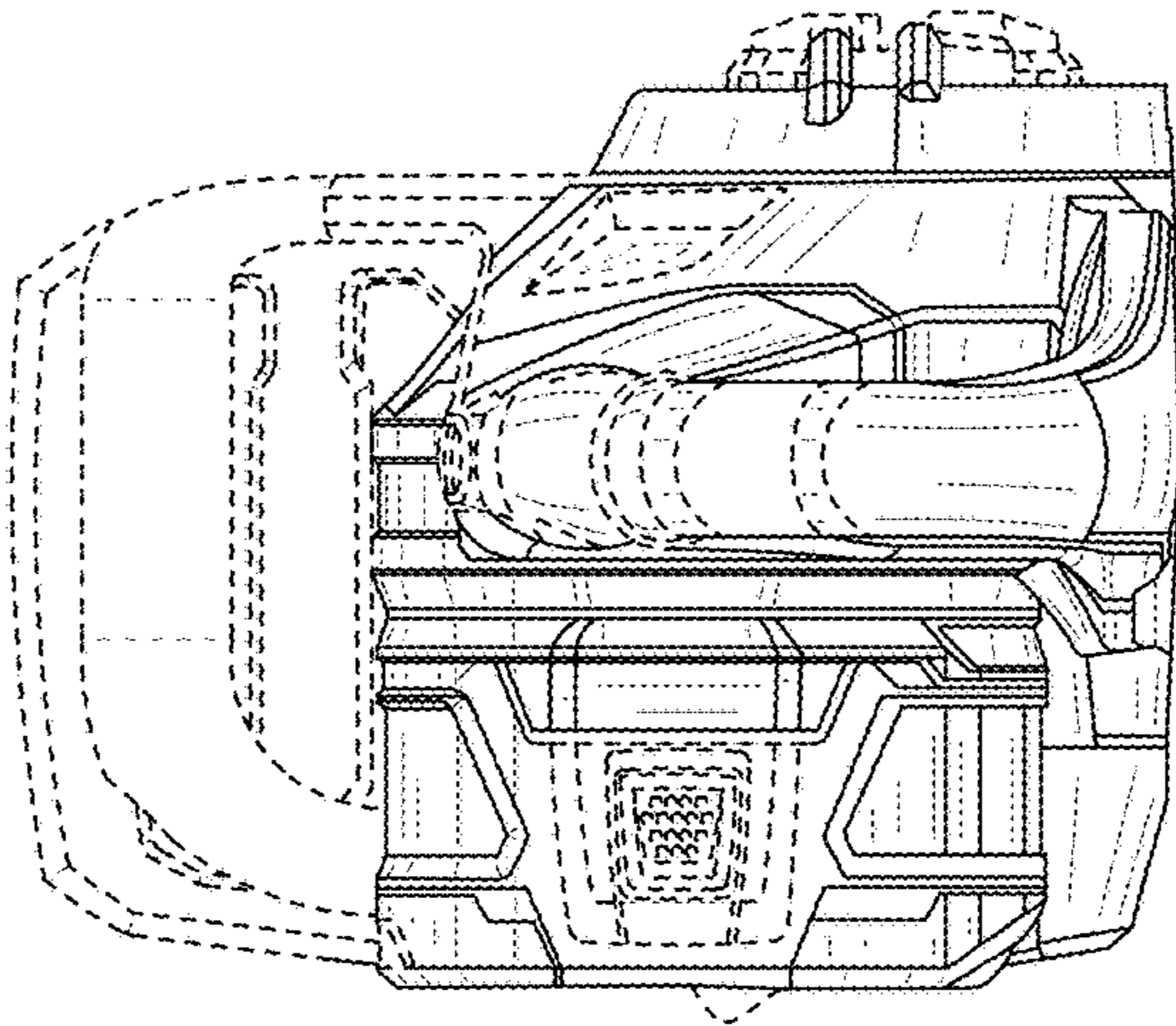


FIG. 9