

US00D860743S

(12) **United States Design Patent**  
**Chang**

(10) **Patent No.:** **US D860,743 S**

(45) **Date of Patent:** **\*\* Sep. 24, 2019**

(54) **SCISSORS**

(71) Applicant: **Eversharp-PRO Company**, Taichung (TW)

(72) Inventor: **Shao-Peng Chang**, Taichung (TW)

(73) Assignee: **EVERSHARP-PRO COMPANY**, Taichung (TW)

(\*\*) Term: **15 Years**

(21) Appl. No.: **29/647,854**

(22) Filed: **May 16, 2018**

**Related U.S. Application Data**

(63) Continuation-in-part of application No. 29/617,826, filed on Sep. 15, 2017, now Pat. No. Des. 835,957.

(51) **LOC (12) Cl.** ..... **08-03**

(52) **U.S. Cl.**  
USPC ..... **D8/57**

(58) **Field of Classification Search**  
USPC ..... D8/4, 5, 51-58, 107  
CPC ..... B26B 13/10; B26B 13/20; B26B 13/12;  
B26B 13/06; B26B 13/04; B26B 13/24  
See application file for complete search history.

(56) **References Cited**

**U.S. PATENT DOCUMENTS**

- 3,175,291 A \* 3/1965 Nardo ..... B26B 13/20  
30/254
- D302,099 S \* 7/1989 Linden ..... D8/57
- D359,219 S \* 6/1995 Thomas ..... D8/104
- D680,839 S \* 4/2013 Bhasin ..... D8/57
- D715,614 S \* 10/2014 Teraguchi ..... D8/57

- D716,123 S \* 10/2014 Teraguchi ..... D8/57
- D753,974 S \* 4/2016 Chang ..... D8/57
- D754,507 S \* 4/2016 Chang ..... D8/57
- D773,268 S \* 12/2016 Usman ..... D8/57
- D835,957 S \* 12/2018 Chang ..... D8/57
- 2005/0257378 A1\* 11/2005 Adachi ..... B26B 13/20  
30/194
- 2009/0126202 A1\* 5/2009 Racamier ..... B26B 13/20  
30/232
- 2010/0107420 A1\* 5/2010 Makoto ..... B26B 13/08  
30/201
- 2018/0290316 A1\* 10/2018 Scimone ..... B26B 13/20

\* cited by examiner

*Primary Examiner* — Deanna L Pratt

(74) *Attorney, Agent, or Firm* — Muncy, Geissler, Olds & Lowe, P.C.

(57) **CLAIM**

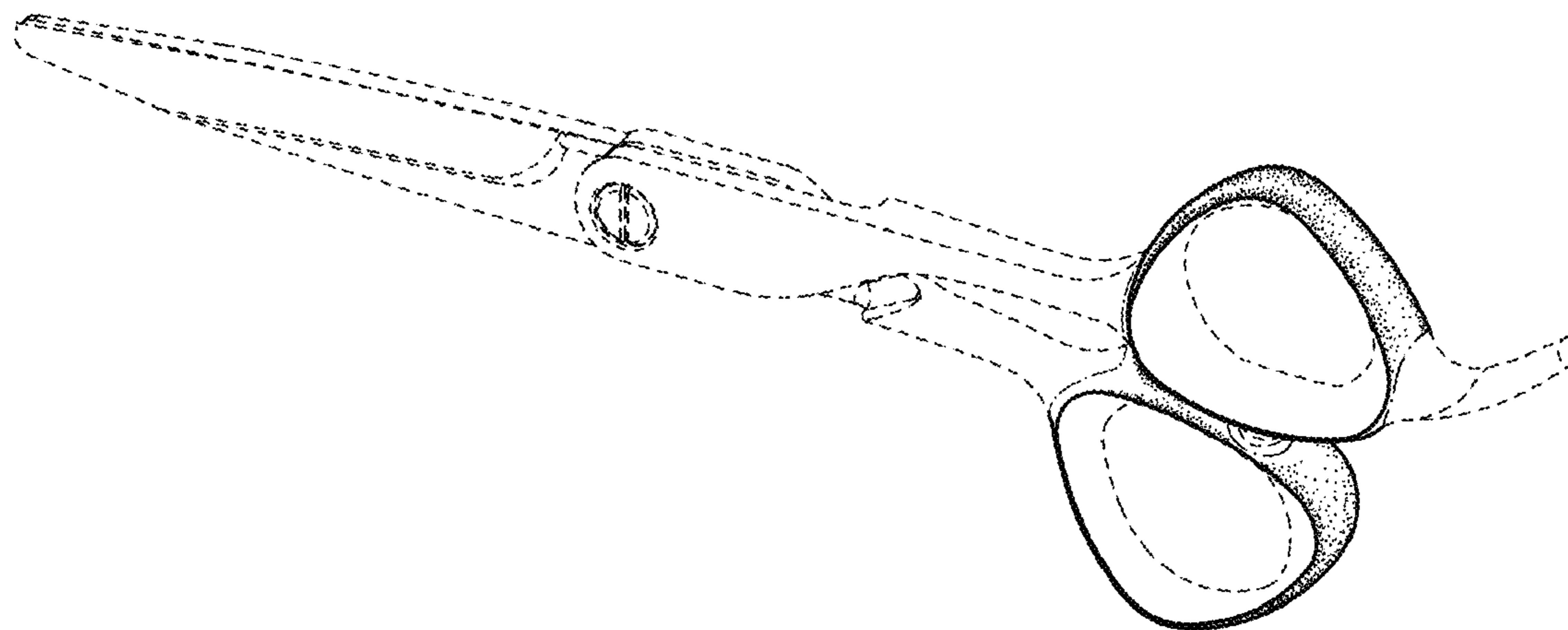
I claim the ornamental design for scissors, as shown and described.

**DESCRIPTION**

FIG. 1 is a perspective view of scissors showing my new design;  
FIG. 2 is a front elevational view thereof;  
FIG. 3 is a rear elevational view thereof;  
FIG. 4 is a left side elevational view thereof;  
FIG. 5 is a right side elevational view thereof;  
FIG. 6 is a top plan view thereof; and,  
FIG. 7 is a bottom plan view thereof.

The dashed broken lines in the drawings depict portions of the scissors that form no part of the claim. The dash-dot broken lines define the boundaries of the claim that form no part of the claim.

**1 Claim, 4 Drawing Sheets**



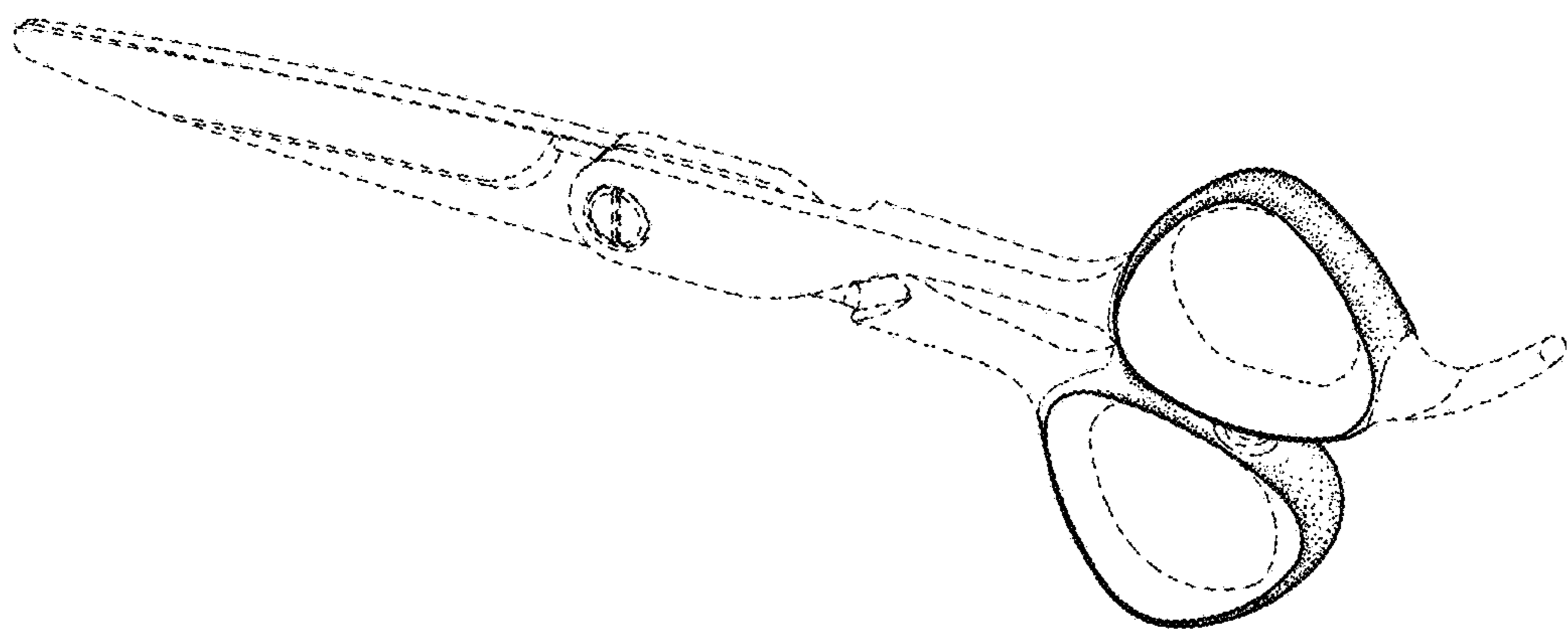


Fig. 1

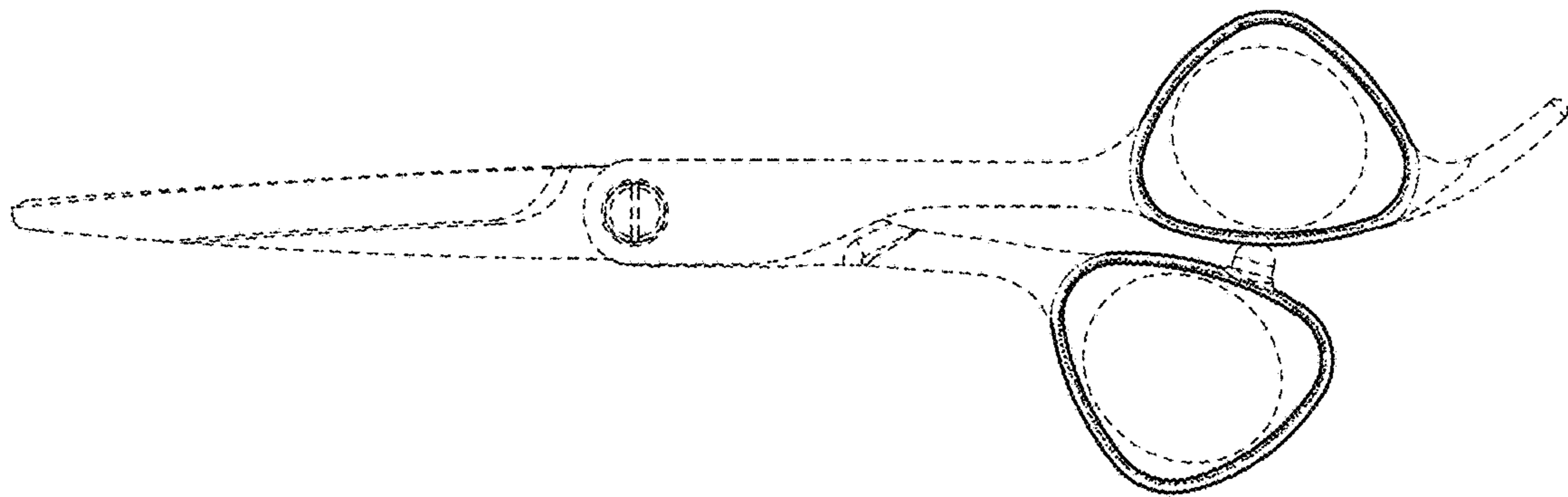


Fig. 2

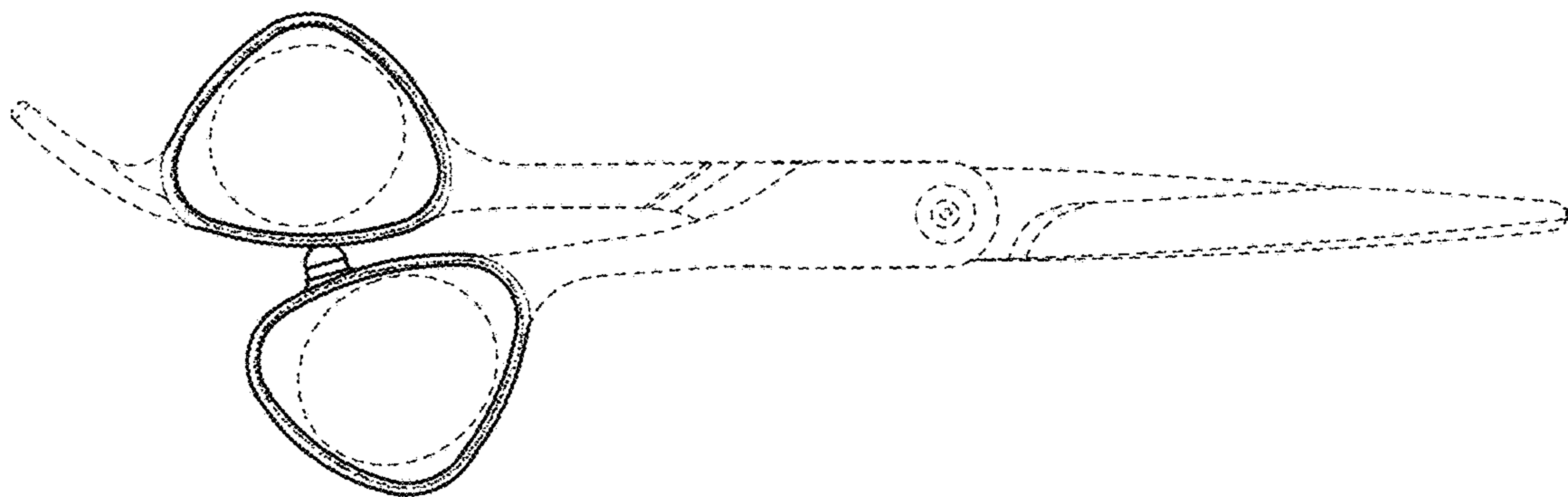


Fig. 3



Fig. 4

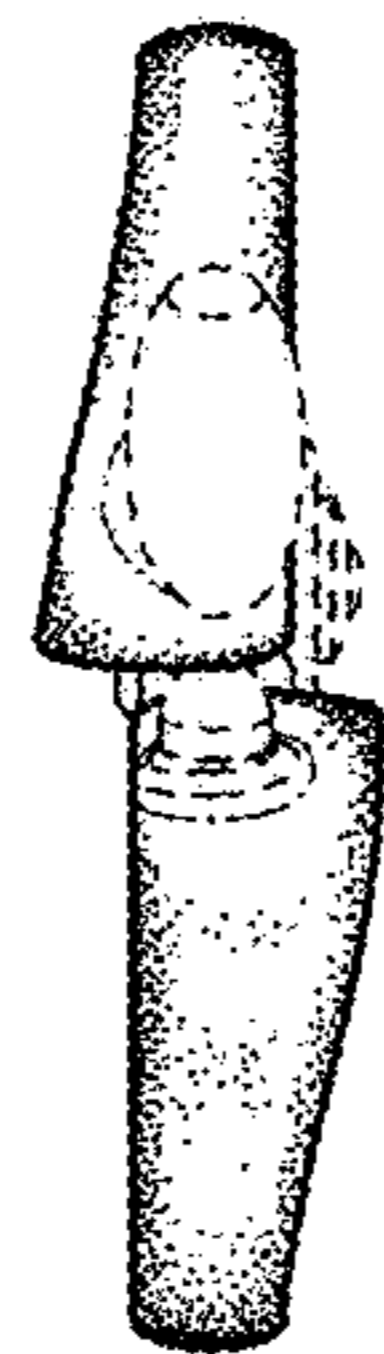


Fig. 5

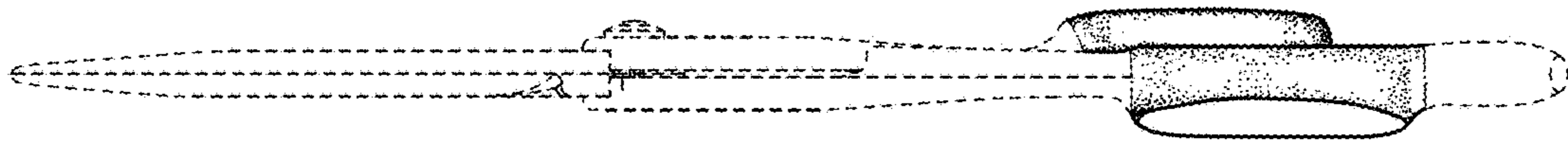


Fig. 6

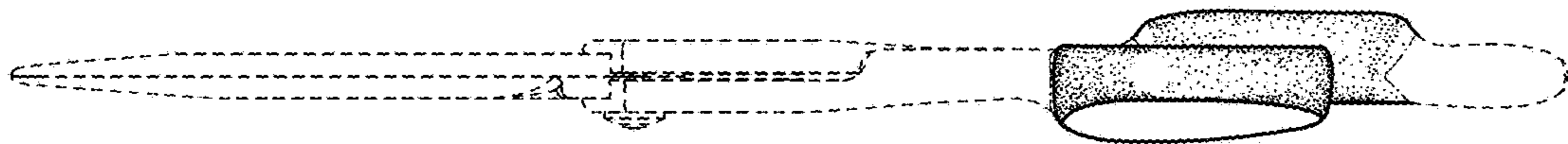


Fig. 7