

US00D860742S

(12) **United States Design Patent**
Yang

(10) **Patent No.:** **US D860,742 S**

(45) **Date of Patent:** **** Sep. 24, 2019**

(54) **AUTOMOBILE DENT REPAIR TOOL**

(71) Applicant: **Yunliang Yang**, Shenzhen (CN)

(72) Inventor: **Yunliang Yang**, Shenzhen (CN)

(**) Term: **15 Years**

(21) Appl. No.: **29/606,729**

(22) Filed: **Jun. 7, 2017**

(30) **Foreign Application Priority Data**

Mar. 27, 2017 (CN) 2017 3 0105253

(51) **LOC (12) Cl.** **08-05**

(52) **U.S. Cl.**
USPC **D8/51**

(58) **Field of Classification Search**
USPC D8/14, 51, 52
CPC B21D 1/06; Y10S 72/705
See application file for complete search history.

(56) **References Cited**

U.S. PATENT DOCUMENTS

- 2,696,240 A * 12/1954 Crowder B21D 1/06
72/308
- 3,977,230 A * 8/1976 Jones B21D 1/06
72/325
- 4,050,271 A * 9/1977 Jones B21D 1/06
72/37
- 4,116,035 A * 9/1978 Malarsky B21D 1/06
72/389.6
- 4,930,335 A * 6/1990 Ishihara B21D 1/06
72/451
- D311,316 S * 10/1990 Ishihara D8/51
- D311,670 S * 10/1990 Ishihara D8/51

- 5,203,196 A * 4/1993 Jenkins B21D 1/06
72/391.2
- 5,333,486 A * 8/1994 Ishihara B21D 1/06
72/391.2
- 6,722,179 B1 * 4/2004 Ventura B21D 1/06
72/454
- 6,874,347 B2 * 4/2005 Meichtry B21D 1/06
72/390.5
- 6,964,186 B1 * 11/2005 Strasser B21D 1/06
72/342.8
- 8,516,875 B1 * 8/2013 Chan B21D 1/06
29/267
- 2003/0097869 A1 * 5/2003 Meichtry B21D 1/06
72/705
- 2012/0085578 A1 * 4/2012 Ishihara B21D 1/06
174/70 R

* cited by examiner

Primary Examiner — Philip S Hyder
(74) *Attorney, Agent, or Firm* — Bay State IP, LLC

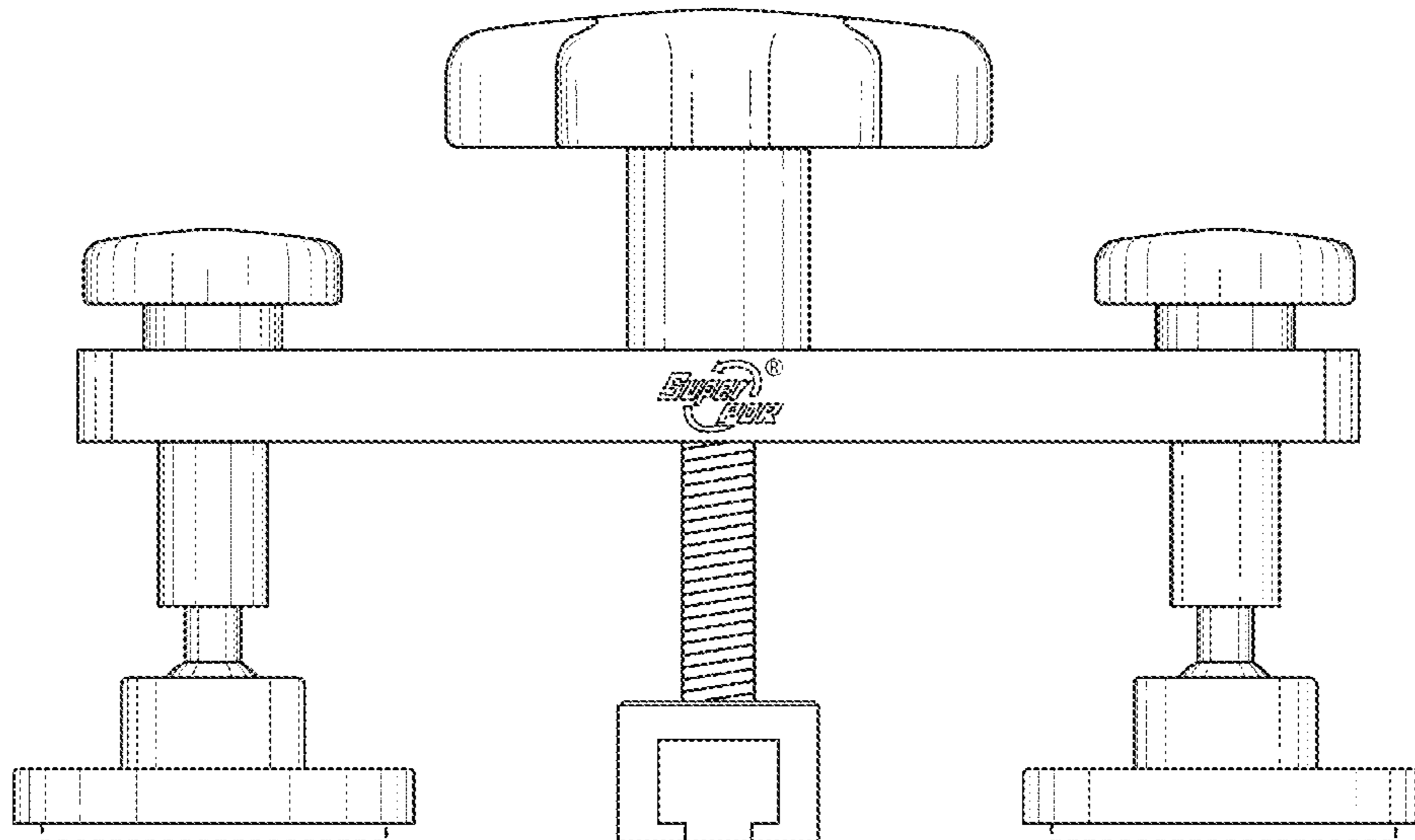
(57) **CLAIM**

The ornamental design for an automobile dent repair tool, as shown and described.

DESCRIPTION

FIG. 1 is a front view of the automobile dent repair tool showing my new design; FIG. 2 is a back view thereof; FIG. 3 is a top view thereof; FIG. 4 is a bottom view thereof; FIG. 5 is a left side view thereof; and, FIG. 6 is a right side view thereof. The broken lines in the drawings depict portions of the automobile dent repair tool that form no part of the claimed design.

1 Claim, 4 Drawing Sheets



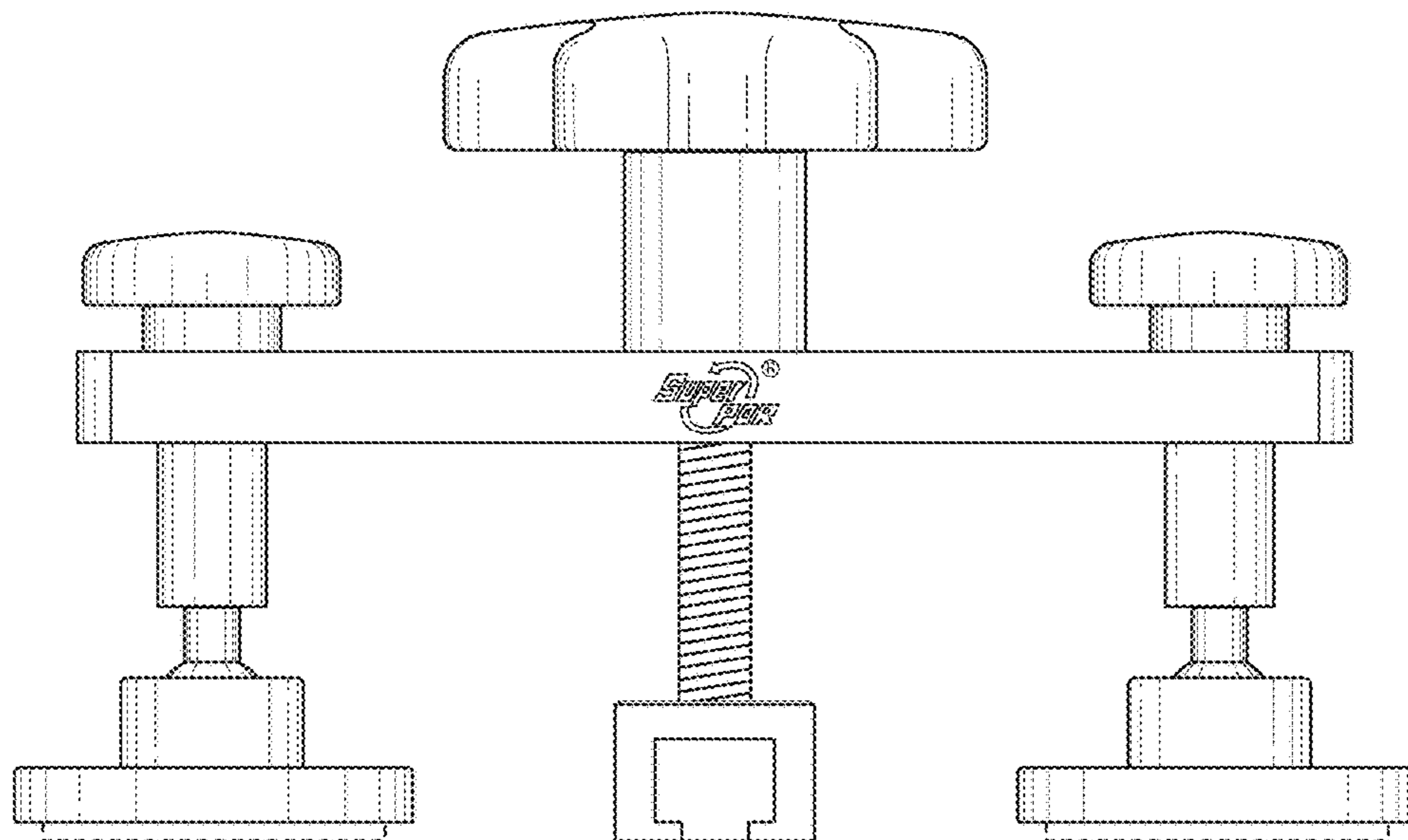


Fig. 1

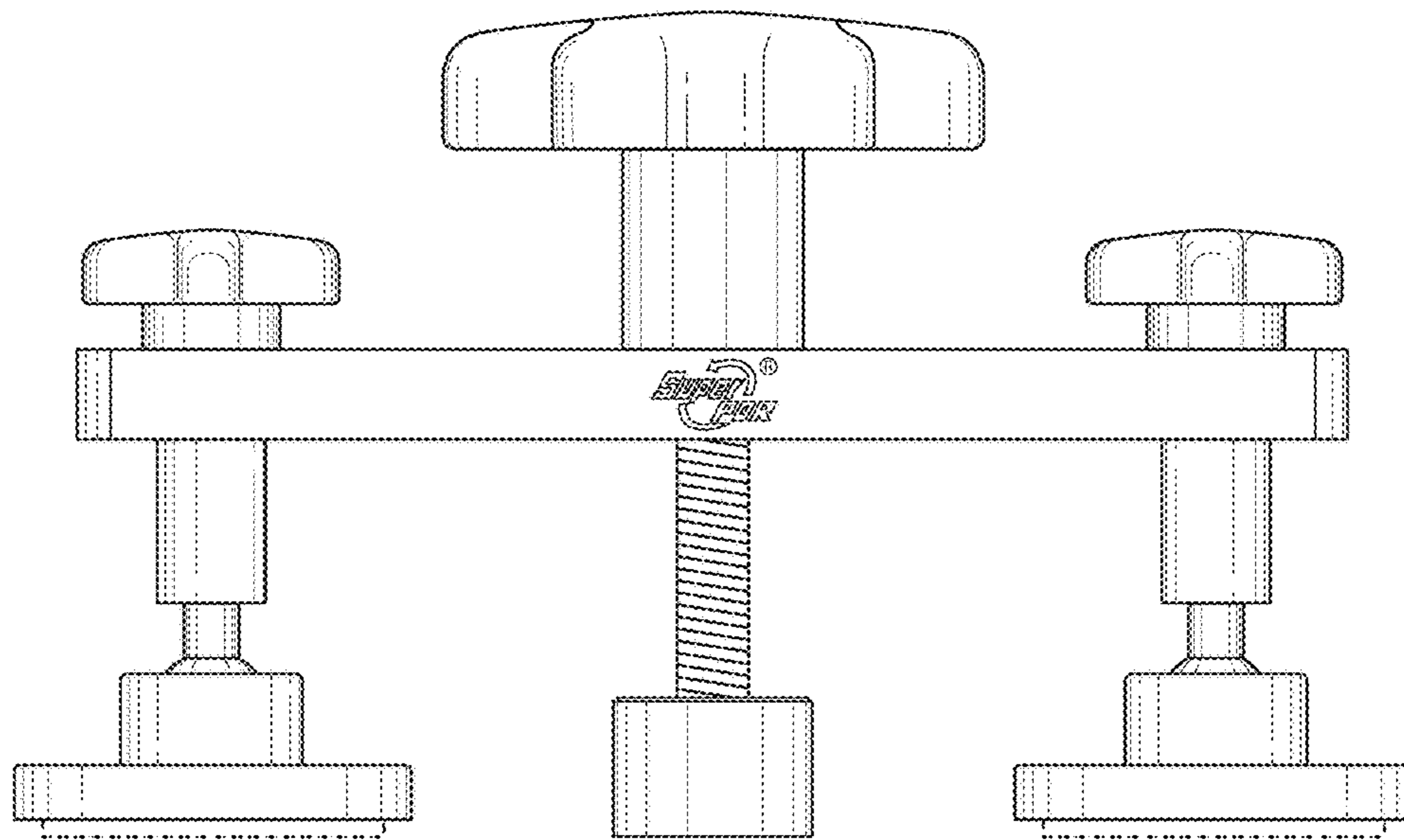


Fig. 2

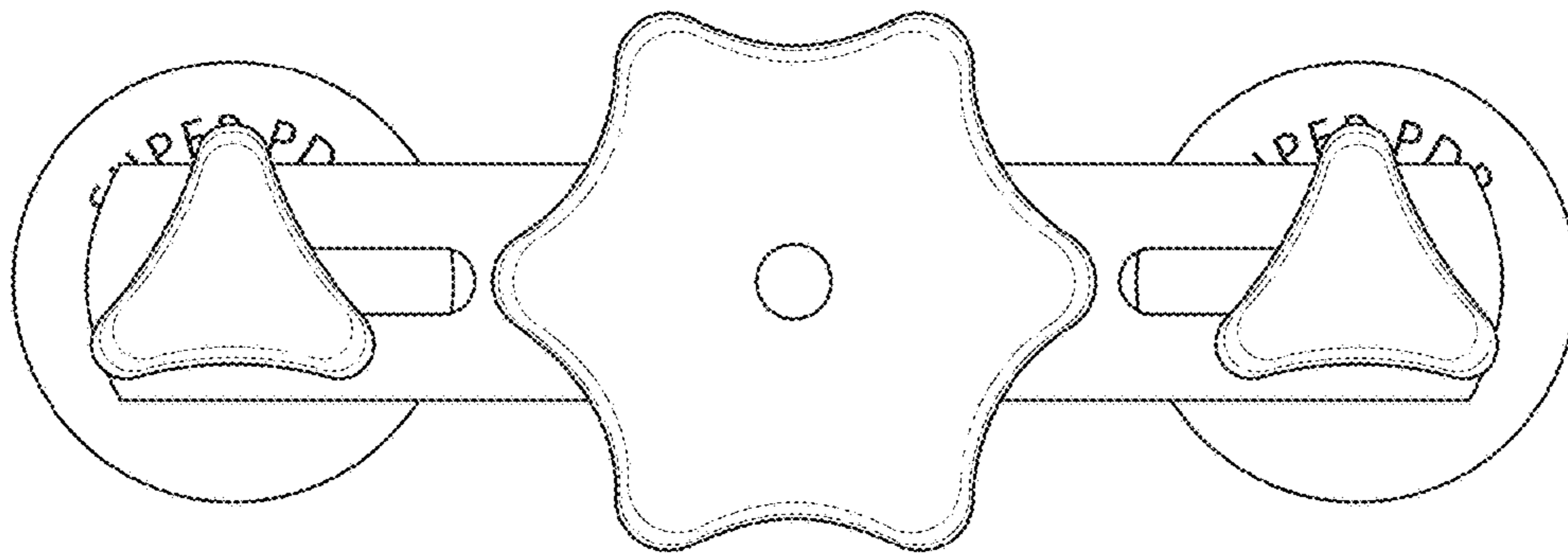


Fig. 3

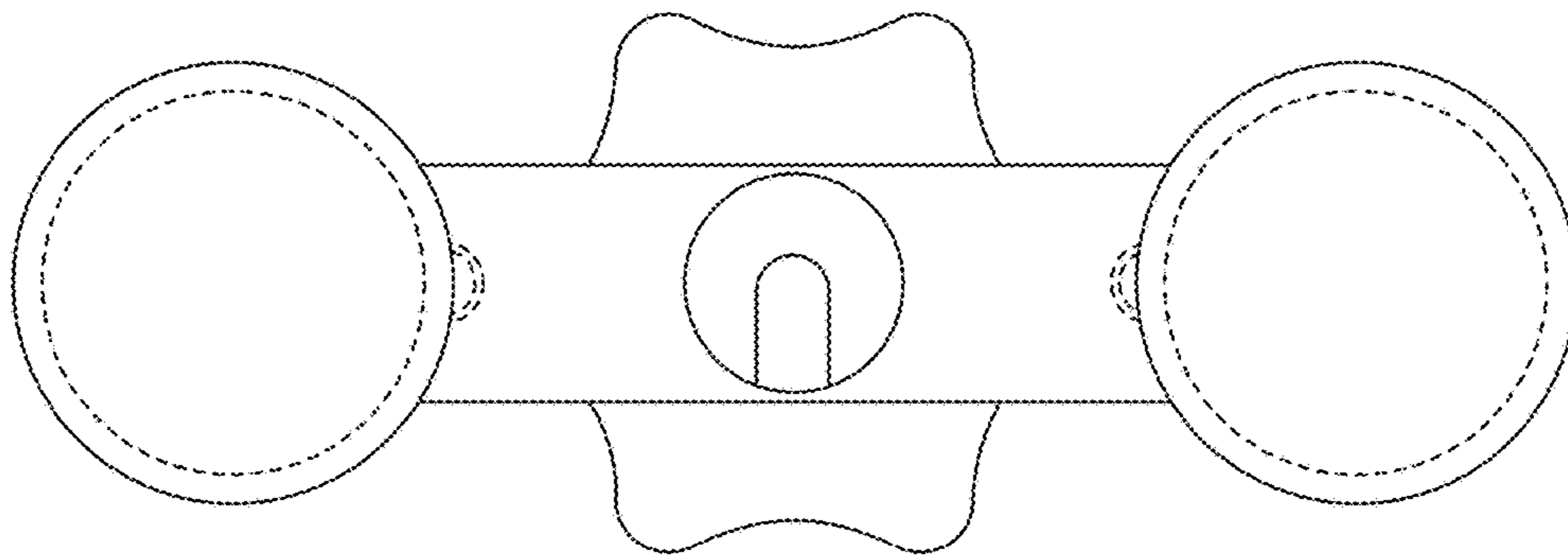


Fig. 4

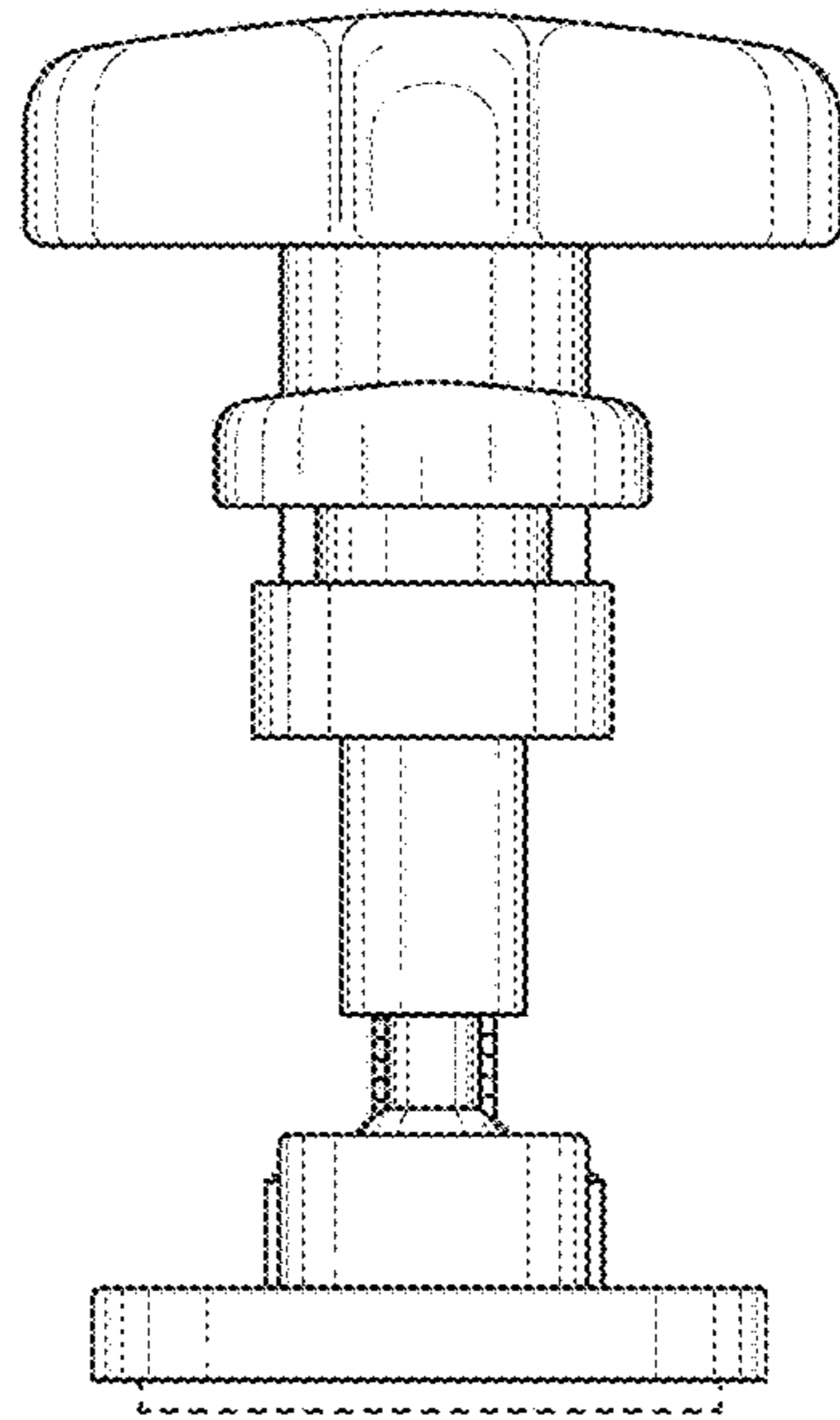


Fig. 5

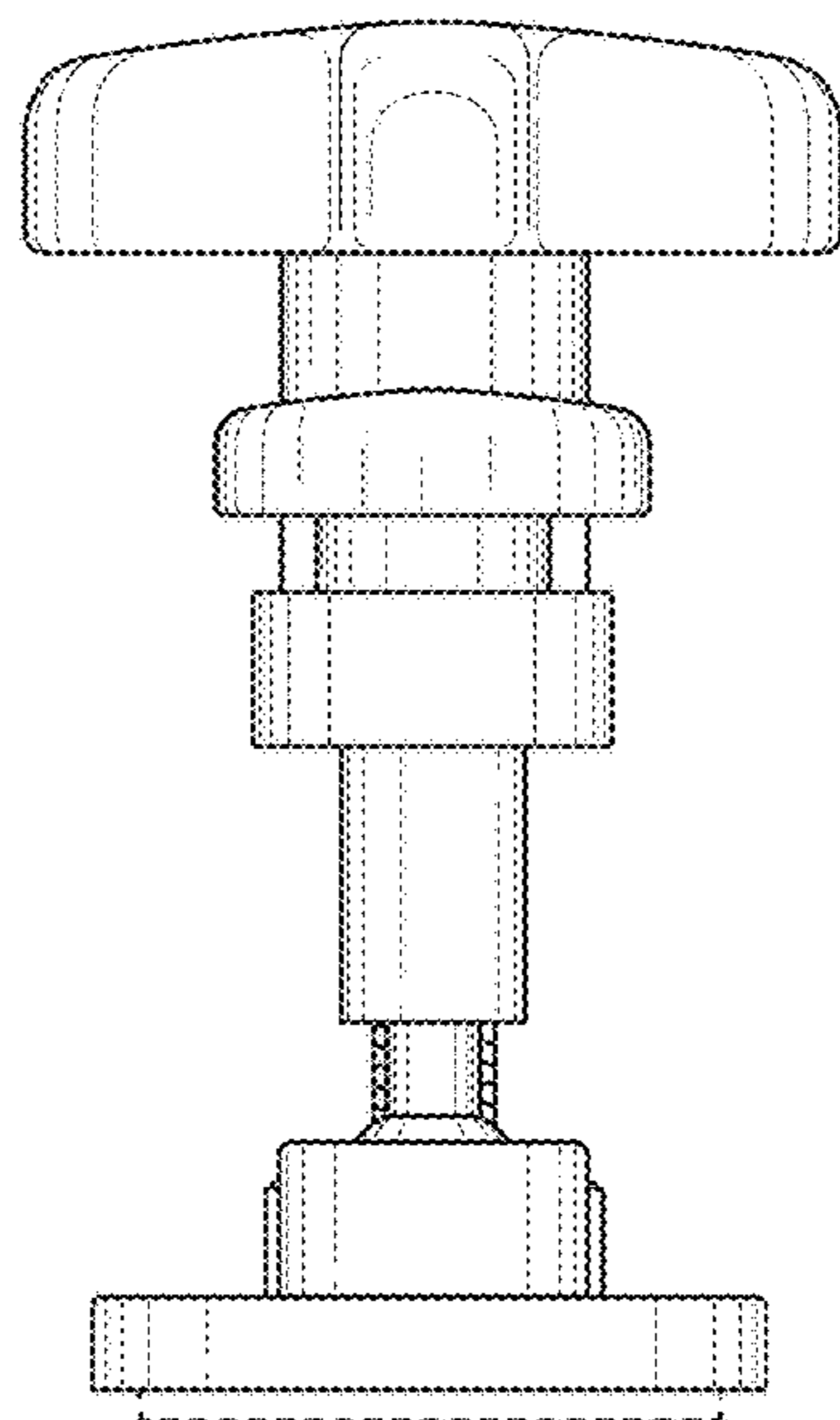


Fig. 6