



US00D860740S

(12) **United States Design Patent**  
**Tschopp**

(10) **Patent No.:** **US D860,740 S**

(45) **Date of Patent:** **\*\* Sep. 24, 2019**

- (54) **DRYWALL TOOL**
- (71) Applicant: **Black & Decker Inc.**, New Britain, CT (US)
- (72) Inventor: **Tylan A. Tschopp**, Baltimore, MD (US)
- (73) Assignee: **BLACK & DECKER INC.**, New Britain, CT (US)
- (\*\*) Term: **15 Years**
- (21) Appl. No.: **29/631,808**
- (22) Filed: **Jan. 3, 2018**
- (51) **LOC (12) Cl.** ..... **08-05**
- (52) **U.S. Cl.**  
USPC ..... **D8/45**
- (58) **Field of Classification Search**  
USPC ..... D8/14, 45, 107, 82, 83; D7/395;  
D4/138; D32/46, 49, 52  
CPC ..... Y10T 16/44; Y10T 16/498; B25F 1/00;  
B25G 1/105; B25G 1/102; B25G 1/125  
See application file for complete search history.

D483,244 S *	12/2003	Chen	.....	D8/107
6,726,868 B1 *	4/2004	Panfili	.....	B29C 45/1671 264/247
D498,124 S *	11/2004	Mitchell	.....	D8/45
D534,781 S *	1/2007	Chen	.....	D8/107
D535,174 S *	1/2007	Chen	.....	D8/107
D535,541 S *	1/2007	Holby	.....	D8/107
D569,215 S *	5/2008	Chiu	.....	D8/107
D580,731 S *	11/2008	Arvinte	.....	D8/107
D607,708 S *	1/2010	Himbert	.....	D8/107
D608,177 S *	1/2010	Perlman	.....	D8/107
D612,702 S *	3/2010	Perlman	.....	D8/107
D793,837 S *	8/2017	Su	.....	D8/107
2010/0117262 A1 *	5/2010	Gringer	.....	B29C 45/1671 264/247

\* cited by examiner

*Primary Examiner* — Philip S Hyder  
(74) *Attorney, Agent, or Firm* — Adan Ayala

(57) **CLAIM**

The ornamental design for a drywall tool, as shown and described.

**DESCRIPTION**

FIG. 1 is a front perspective view of a drywall tool according to the invention.

FIG. 2 is a front view of the drywall tool of FIG. 1.

FIG. 3 is a rear view of the drywall tool of FIG. 1.

FIG. 4 is a left side view of the drywall tool of FIG. 1.

FIG. 5 is a right side view of the drywall tool of FIG. 1.

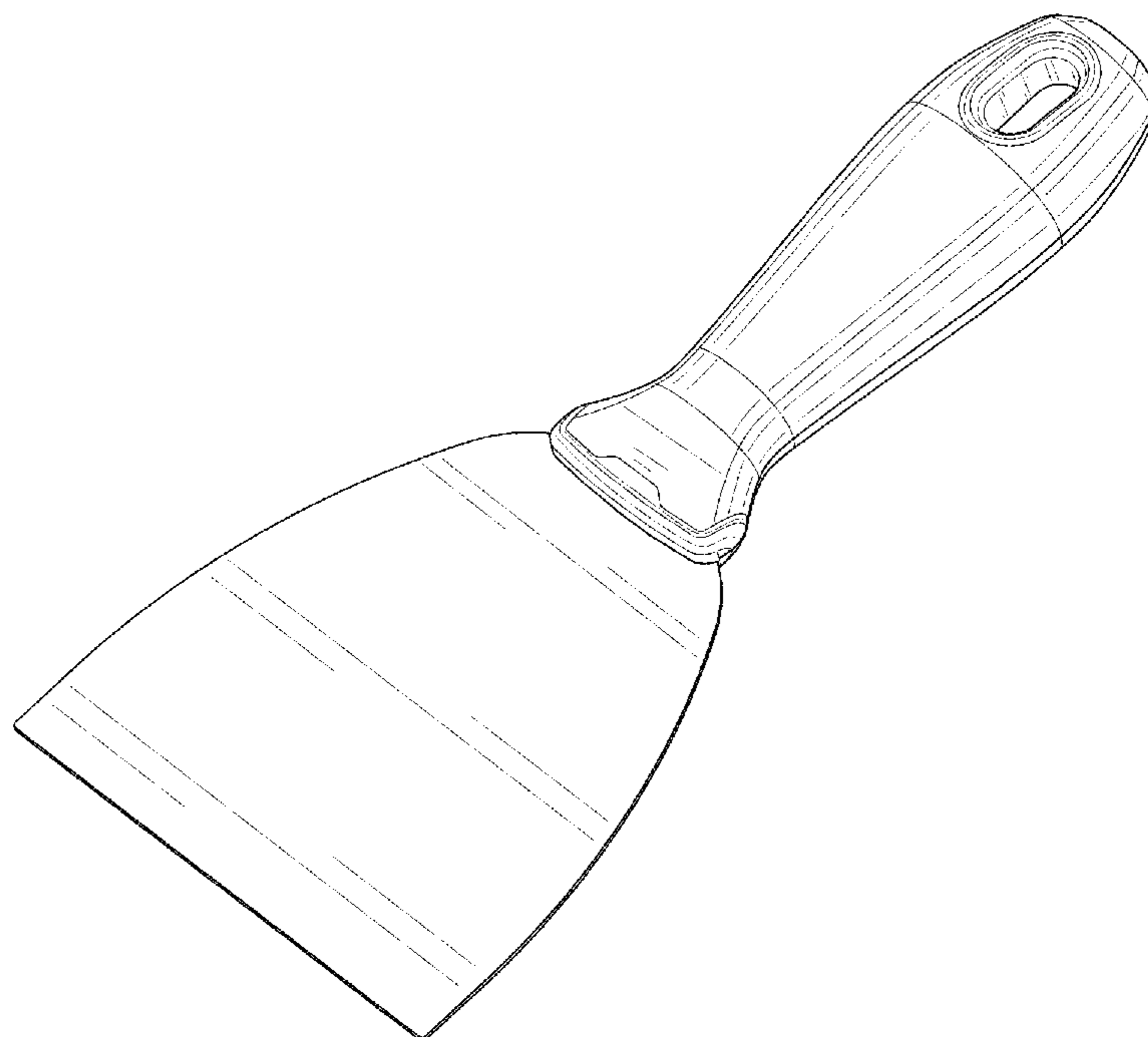
FIG. 6 is a top plan view of the drywall tool of FIG. 1; and,

FIG. 7 is a bottom plan view of the drywall tool of FIG. 1.

**1 Claim, 7 Drawing Sheets**

(56) **References Cited**  
U.S. PATENT DOCUMENTS

D414,395 S *	9/1999	Panfili	.....	D8/107
5,956,799 A *	9/1999	Panaccione	.....	A47L 13/022 15/143.1
D420,887 S *	2/2000	Chen	.....	D7/395
D426,251 S *	6/2000	Wood	.....	D16/218
D444,692 S *	7/2001	Marquardt	.....	D7/395
D462,251 S *	9/2002	Collins	.....	D8/107



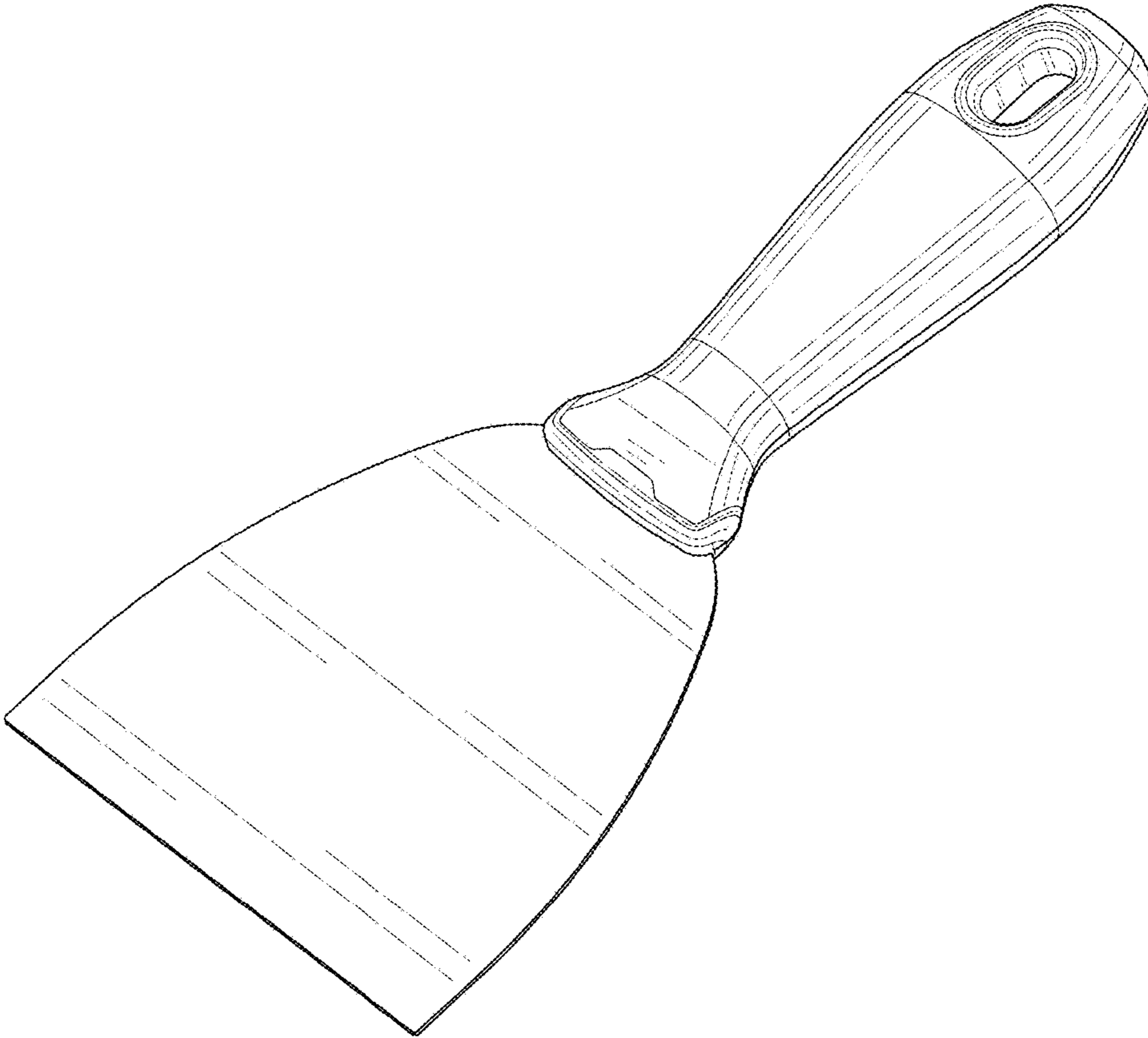


FIG. 1

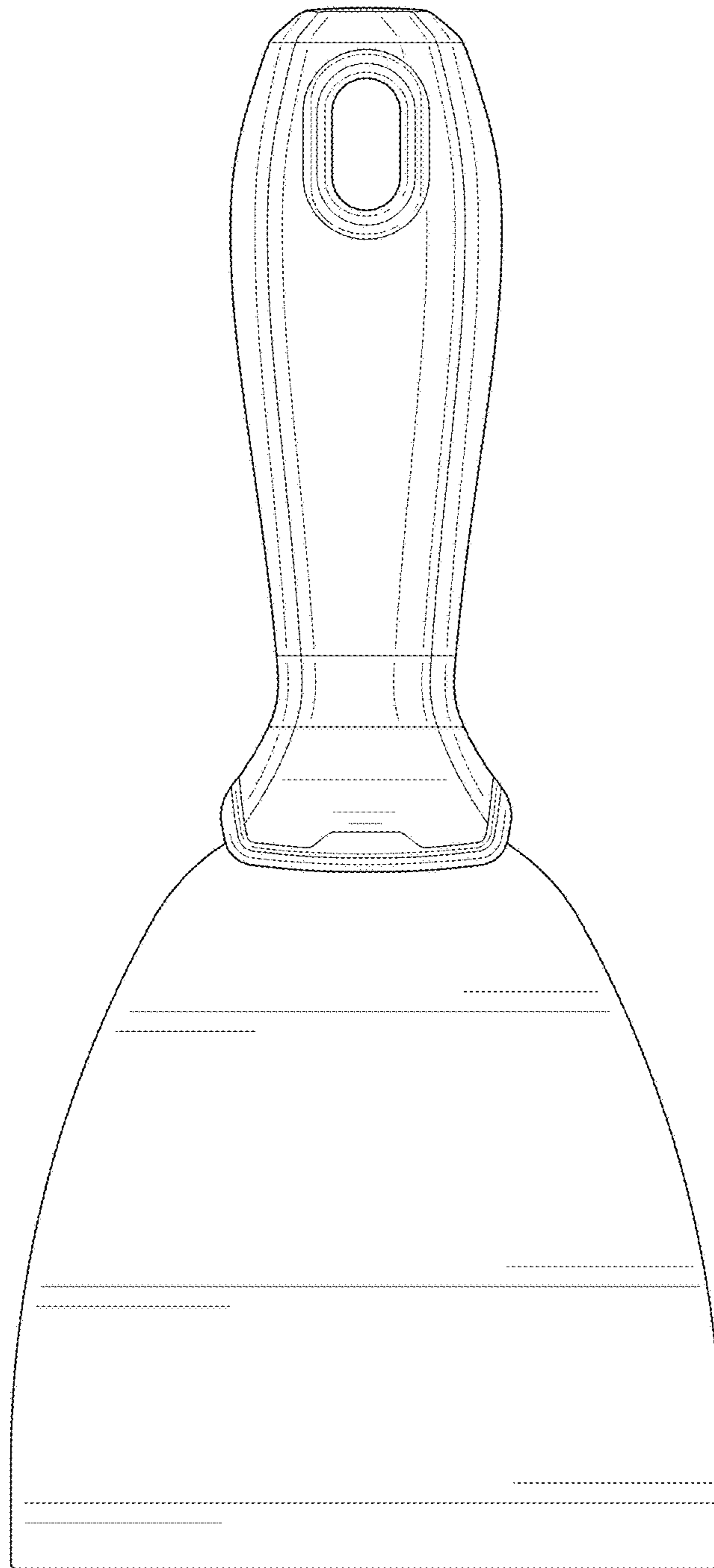


FIG. 2

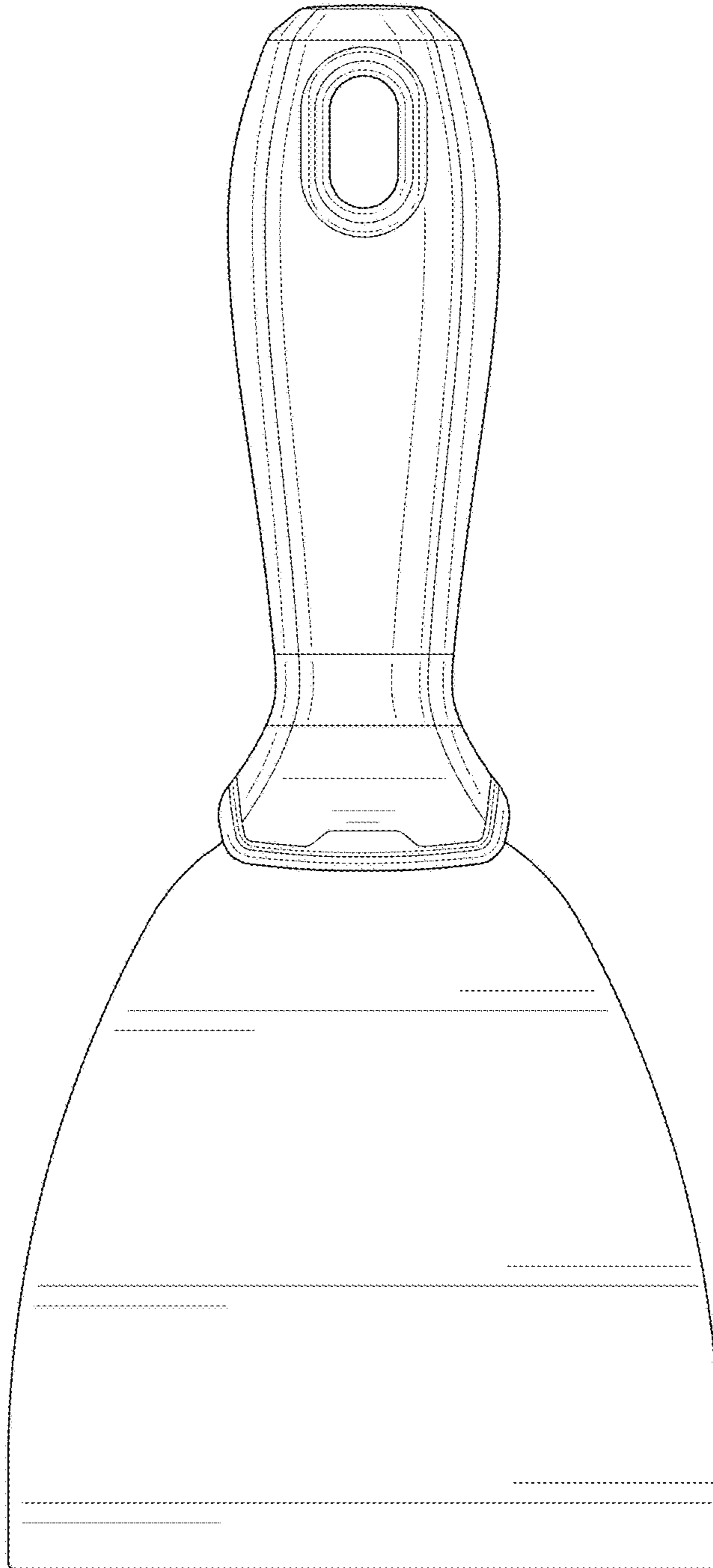


FIG. 3

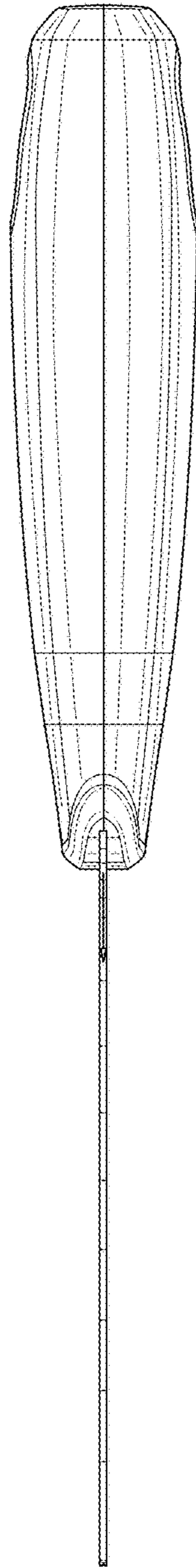


FIG. 4

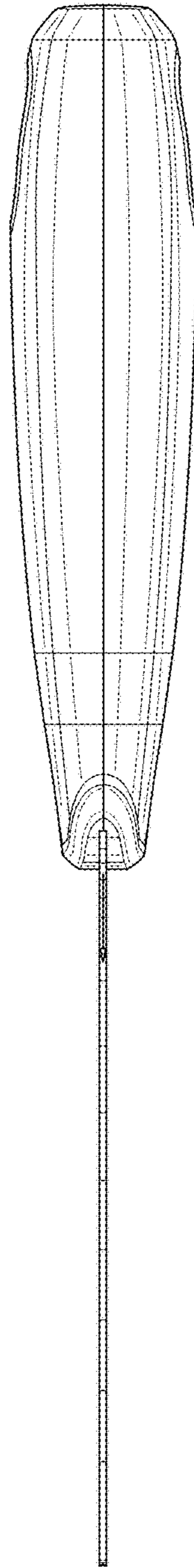


FIG. 5

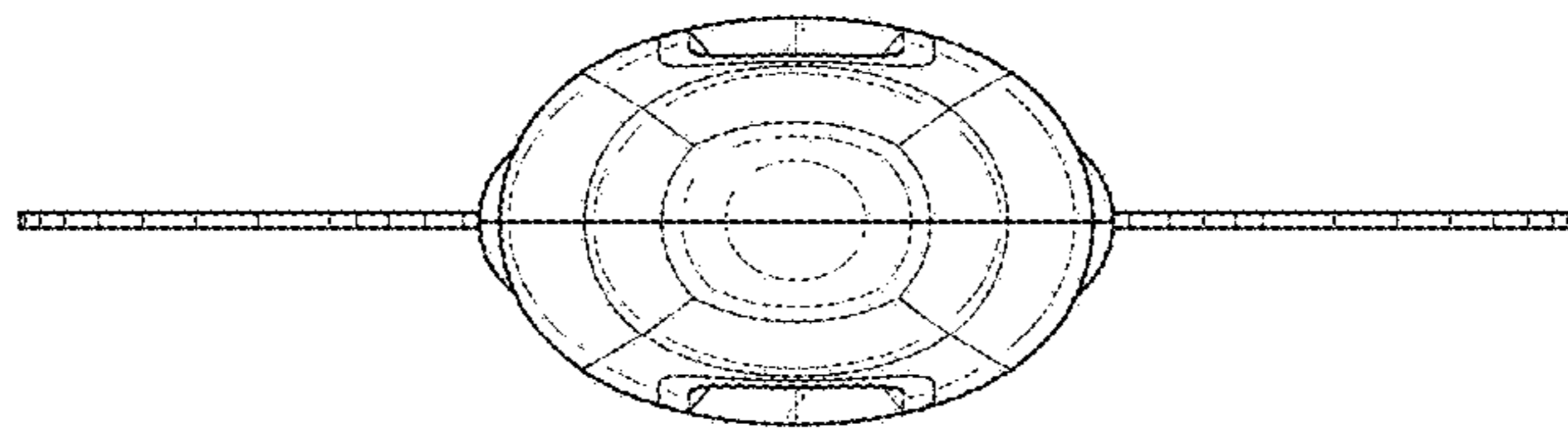


FIG. 6

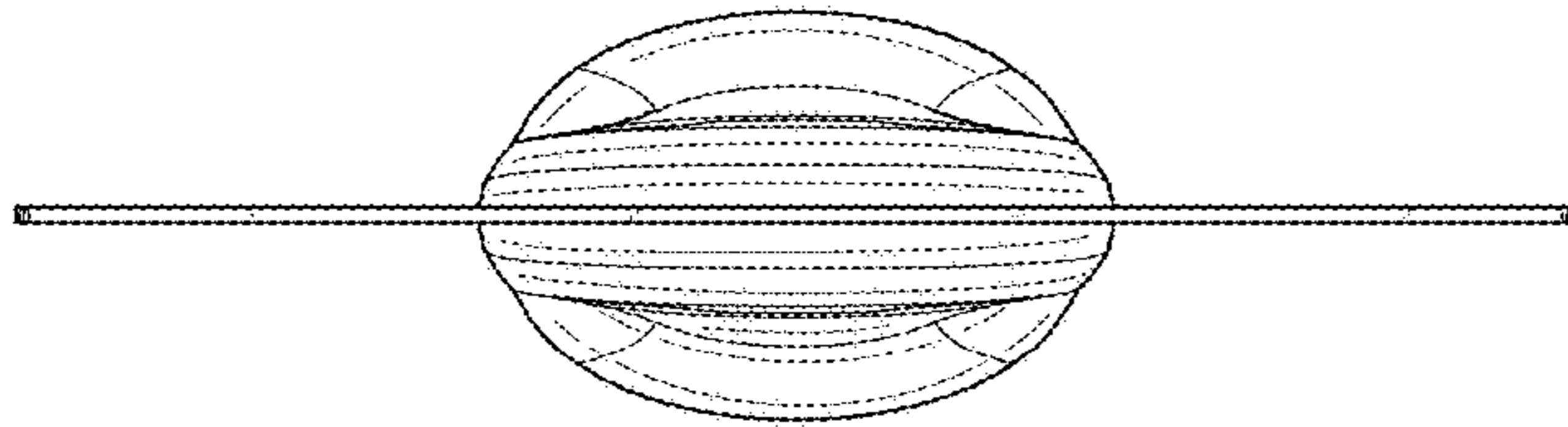


FIG. 7