

US00D860737S

(12) **United States Design Patent** (10) **Patent No.:** **US D860,737 S**
Huang (45) **Date of Patent:** **** Sep. 24, 2019**

(54) **SOCKET**

(71) Applicant: **Bell Huang**, Taichung (TW)

(72) Inventor: **Bell Huang**, Taichung (TW)

(73) Assignee: **ACT QUALITY INDUSTRIAL CO., LTD.**, Taichung

(**) Term: **15 Years**

(21) Appl. No.: **29/660,046**

(22) Filed: **Aug. 15, 2018**

(51) **LOC (12) Cl.** **08-05**

(52) **U.S. Cl.**
USPC **D8/29**

(58) **Field of Classification Search**
USPC D8/29; 81/60, 177.1, 177.85, 121.1,
81/124.3, 165-170, 110.1, 176.2, 124.6,
81/176.1, 176.15, 177.2, 186; 16/110.1
CPC B25B 13/06; B25B 13/065
See application file for complete search history.

(56) **References Cited**

U.S. PATENT DOCUMENTS

| | | | |
|--------------|---------|------------------|-------|
| D773,266 S * | 12/2016 | Hsieh | D8/27 |
| D787,906 S * | 5/2017 | Chang | D8/29 |
| D794,405 S * | 8/2017 | Doroslovac | D8/29 |

* cited by examiner

Primary Examiner — Randall H Gholson

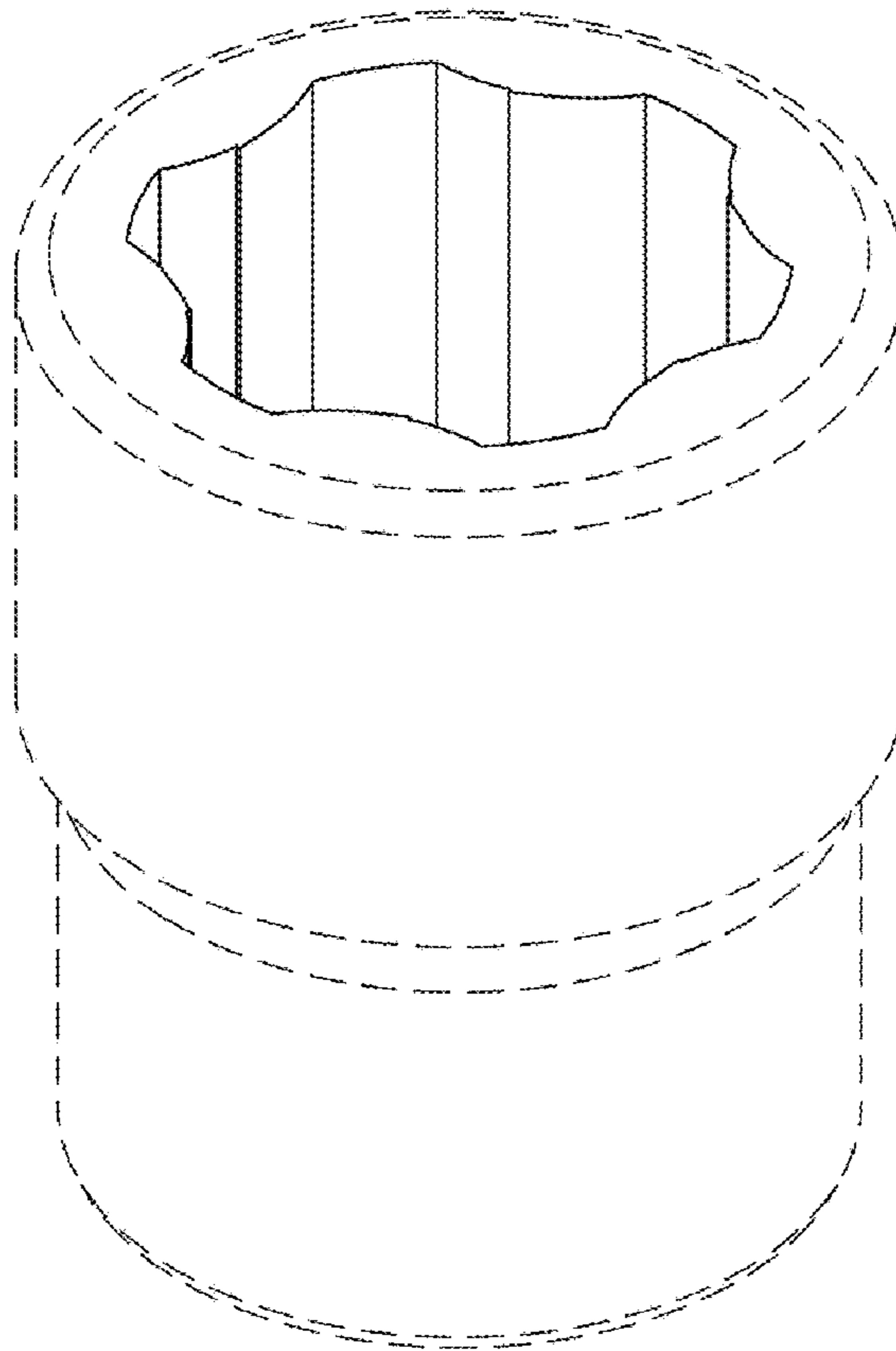
(57) **CLAIM**

The ornamental design for a socket, as shown and described.

DESCRIPTION

FIG. 1 is a front-right-top perspective view of the socket showing my new design;
 FIG. 2 is a front elevational view thereof;
 FIG. 3 is a rear front elevational view thereof; and,
 FIG. 4 is a left side elevational view thereof.
 The broken lines in the drawings illustrate portions of the socket which form no part of the claimed design.

1 Claim, 4 Drawing Sheets



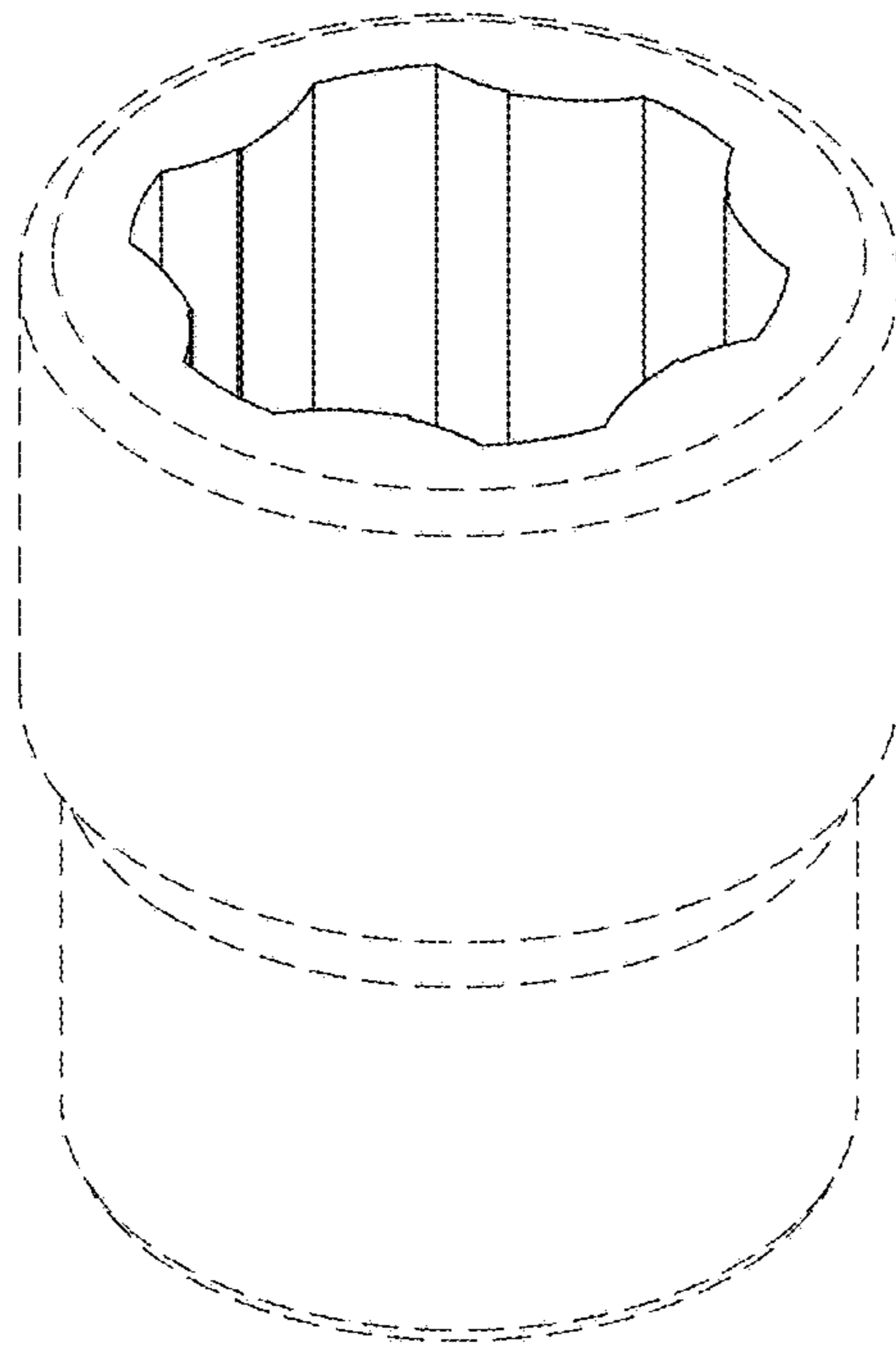


FIG.1

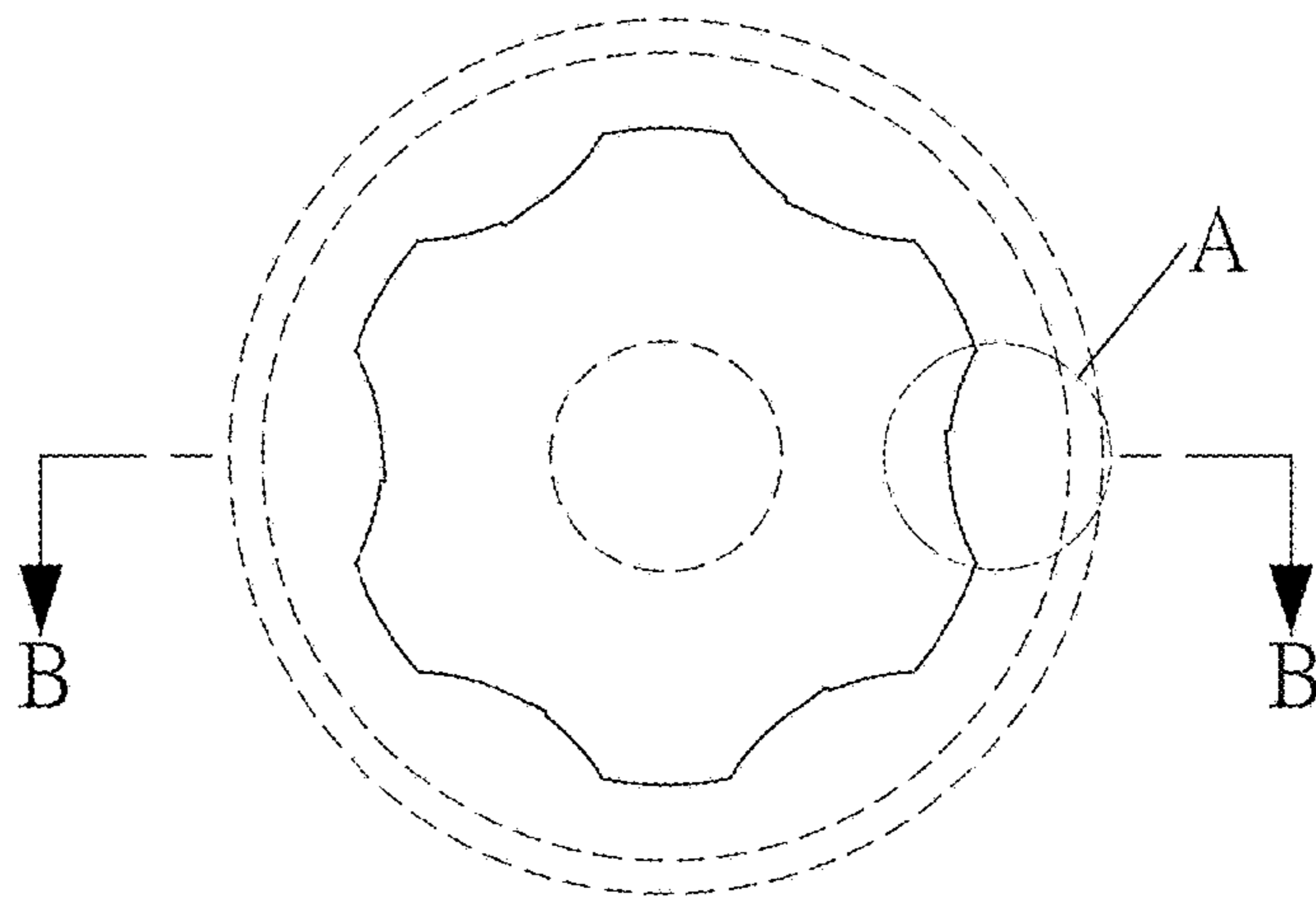


FIG.2

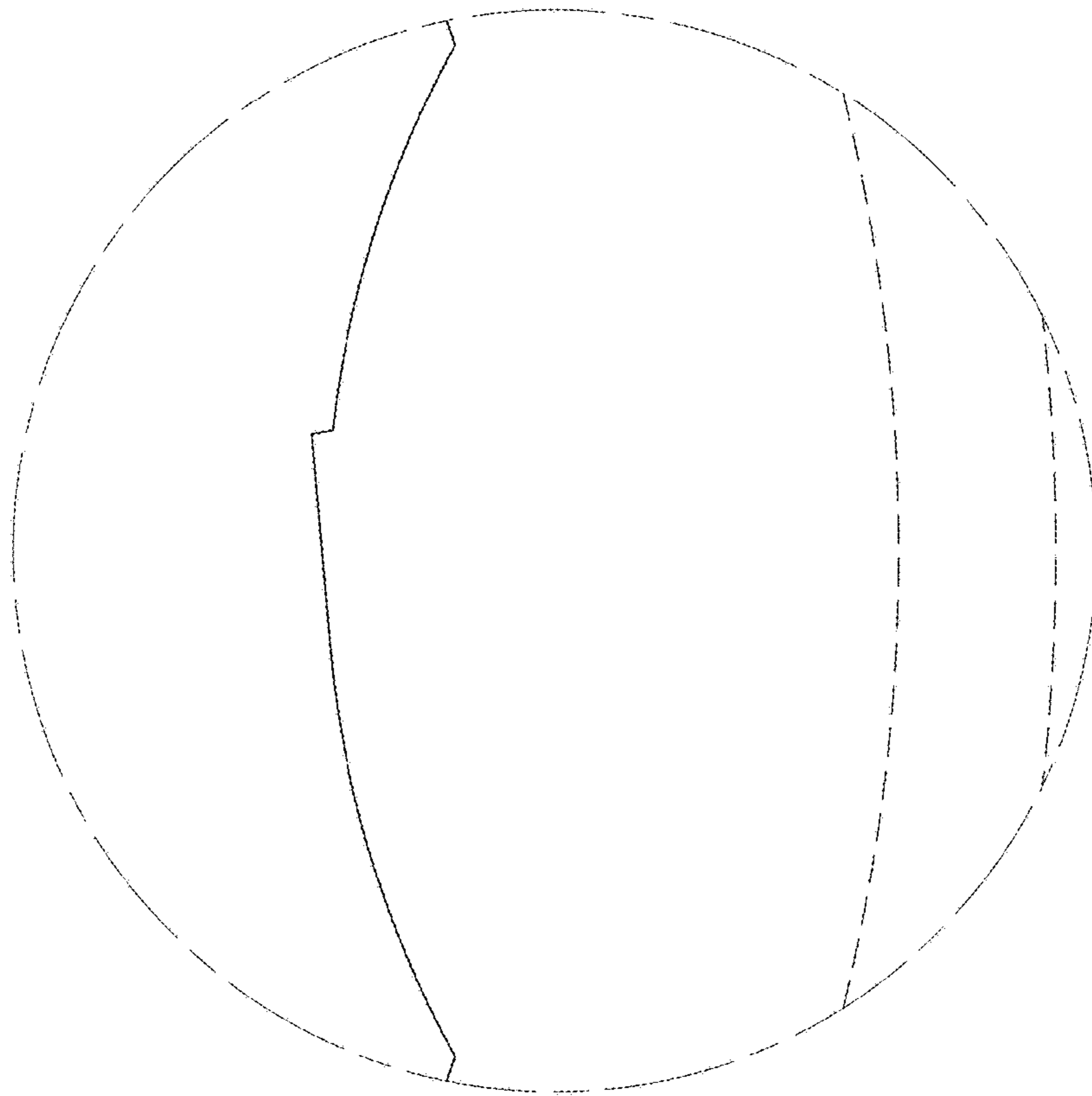


FIG.3

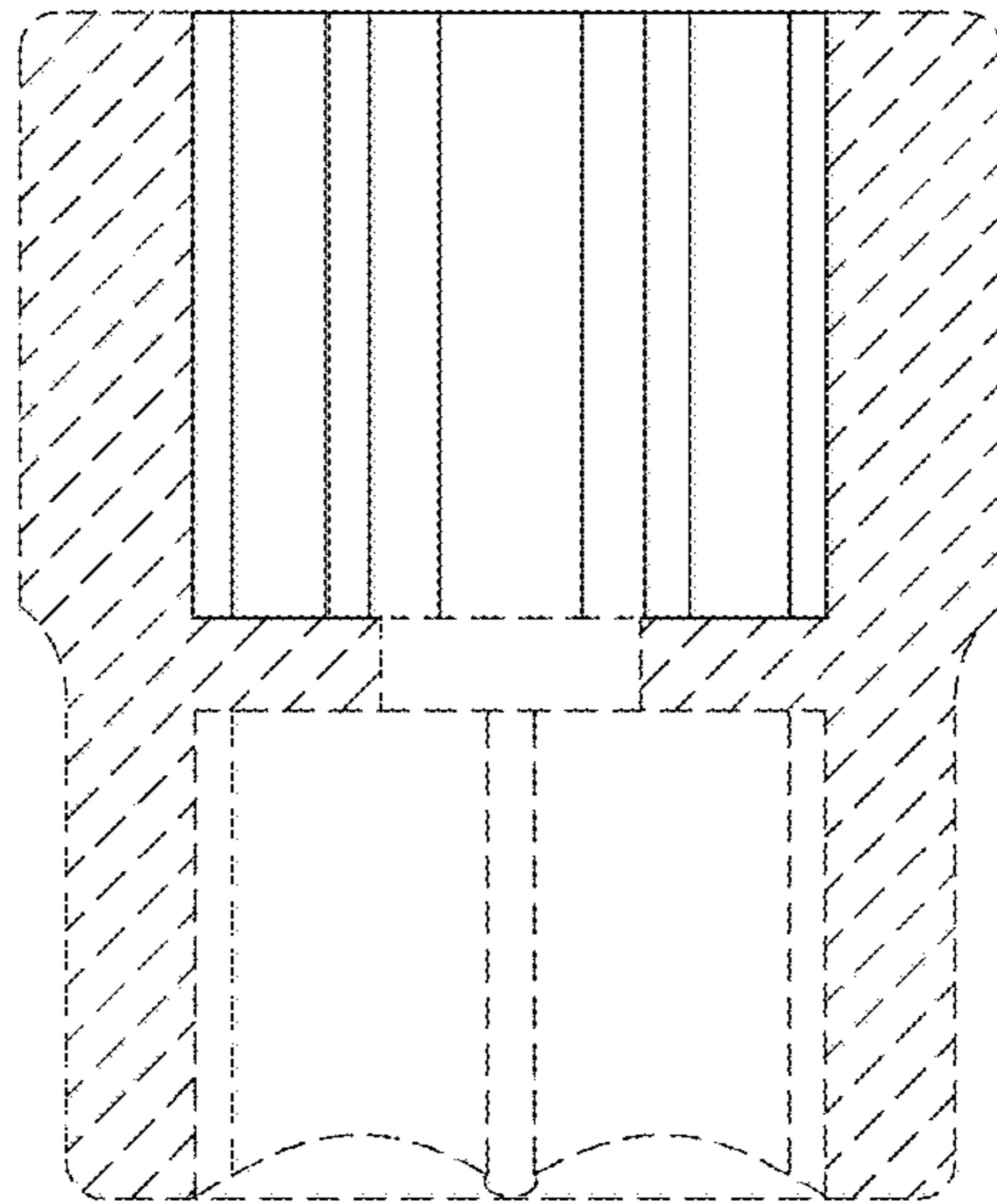


FIG.4