

US00D860734S

(12) **United States Design Patent**  
**Zappala et al.**

(10) **Patent No.:** **US D860,734 S**

(45) **Date of Patent:** **\*\* Sep. 24, 2019**

(54) **SLEEVE**

(71) Applicant: **GoVerre LLC**, San Marcos, CA (US)

(72) Inventors: **Shannon Zappala**, San Marcos, CA (US); **Regan Kelaher**, Encinitas, CA (US)

(73) Assignee: **GoVerre LLC**, San Marcos, CA (US)

(\*\*) Term: **15 Years**

(21) Appl. No.: **29/634,888**

(22) Filed: **Jan. 25, 2018**

(51) **LOC (12) Cl.** ..... **07-01**

(52) **U.S. Cl.**  
USPC ..... **D7/624.2; D7/507; D7/510; D7/523**

(58) **Field of Classification Search**  
USPC ..... D7/507, 509, 510, 511, 523, 528, 529, D7/530, 531, 397, 622, 533, 536, 500, D7/584, 608, 624.1, 624.2, 532; D9/523, D9/552, 542, 569, 530, 531, 570, 453  
CPC .... A47G 19/22; A47G 19/2272; B65D 1/265; B65D 47/066  
See application file for complete search history.

(56) **References Cited**

**U.S. PATENT DOCUMENTS**

D578,827 S \* 10/2008 Barducci ..... D7/507  
D618,065 S \* 6/2010 Joy ..... D7/607  
D629,259 S \* 12/2010 Joy ..... D7/607

D634,159 S \* 3/2011 Bodum ..... D7/509  
D656,365 S \* 3/2012 Bickert ..... D7/523  
D663,589 S \* 7/2012 Pascot ..... D7/509  
D700,806 S \* 3/2014 Joy ..... D7/507  
D701,427 S \* 3/2014 Edmund ..... D7/523  
D765,472 S \* 9/2016 Metaxatos ..... D7/396.4  
D772,021 S \* 11/2016 Joy ..... D7/624.1  
D772,656 S \* 11/2016 Joy ..... D7/624.1  
D802,375 S \* 11/2017 Kao ..... D7/624.2  
D828,109 S \* 9/2018 Case ..... D7/606  
D842,050 S \* 3/2019 Laustsen ..... D7/624.2

\* cited by examiner

*Primary Examiner* — Marianne N Pandozzi

*Assistant Examiner* — Jae Liang

(74) *Attorney, Agent, or Firm* — Kirby Drake

(57) **CLAIM**

An ornamental design for a sleeve, as shown and described.

**DESCRIPTION**

FIG. 1 is a top perspective view of a sleeve showing our new design;

FIG. 2 is a front view thereof;

FIG. 3 is a rear view thereof;

FIG. 4 is a right-side view thereof;

FIG. 5 is a left-side view thereof;

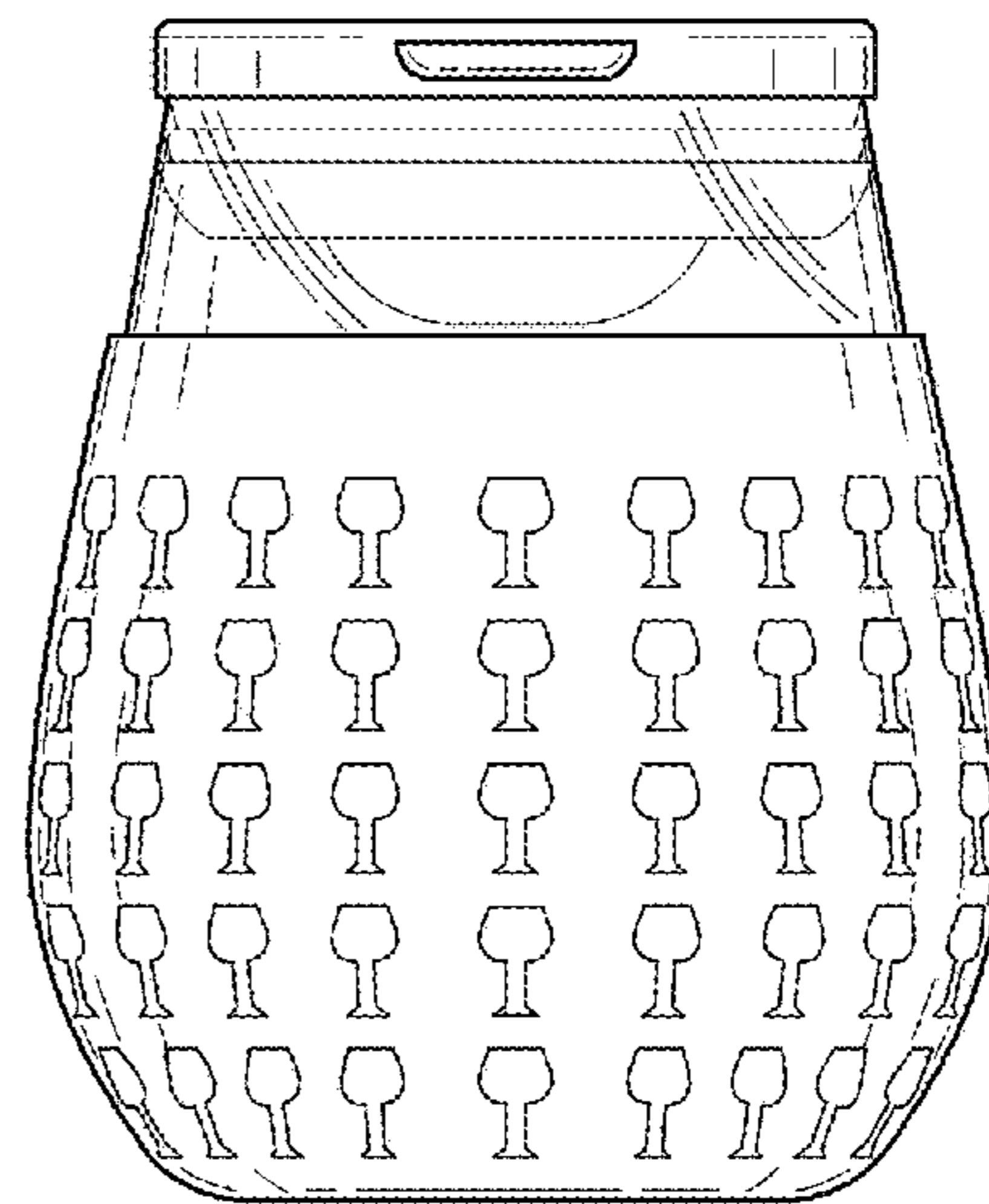
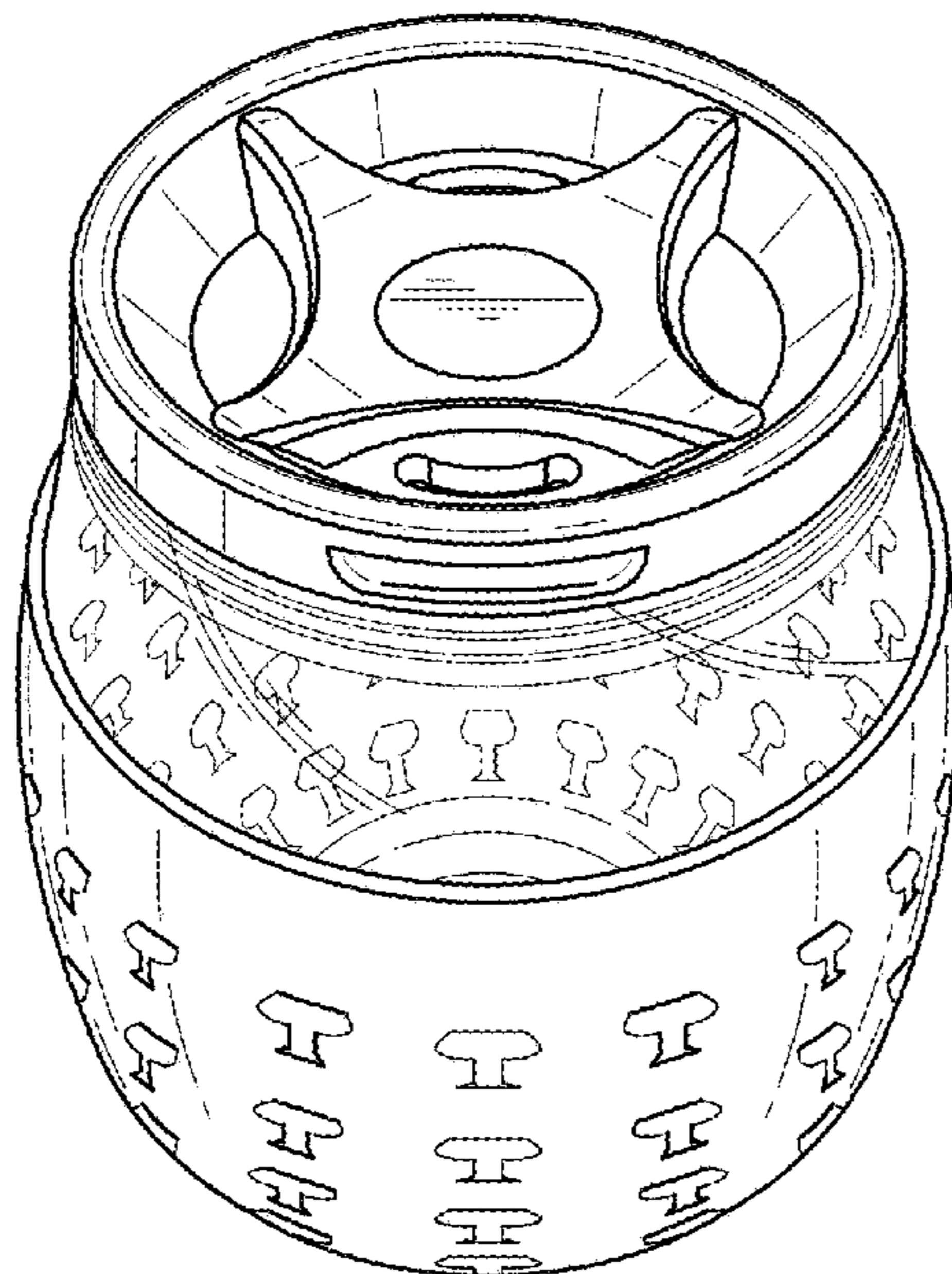
FIG. 6 is a top view thereof;

FIG. 7 is a bottom view thereof; and,

FIG. 8 is an exploded top perspective view thereof.

The portions of the article in broken lines are shown for illustrative purposes only and form no part of the claimed design.

**1 Claim, 5 Drawing Sheets**



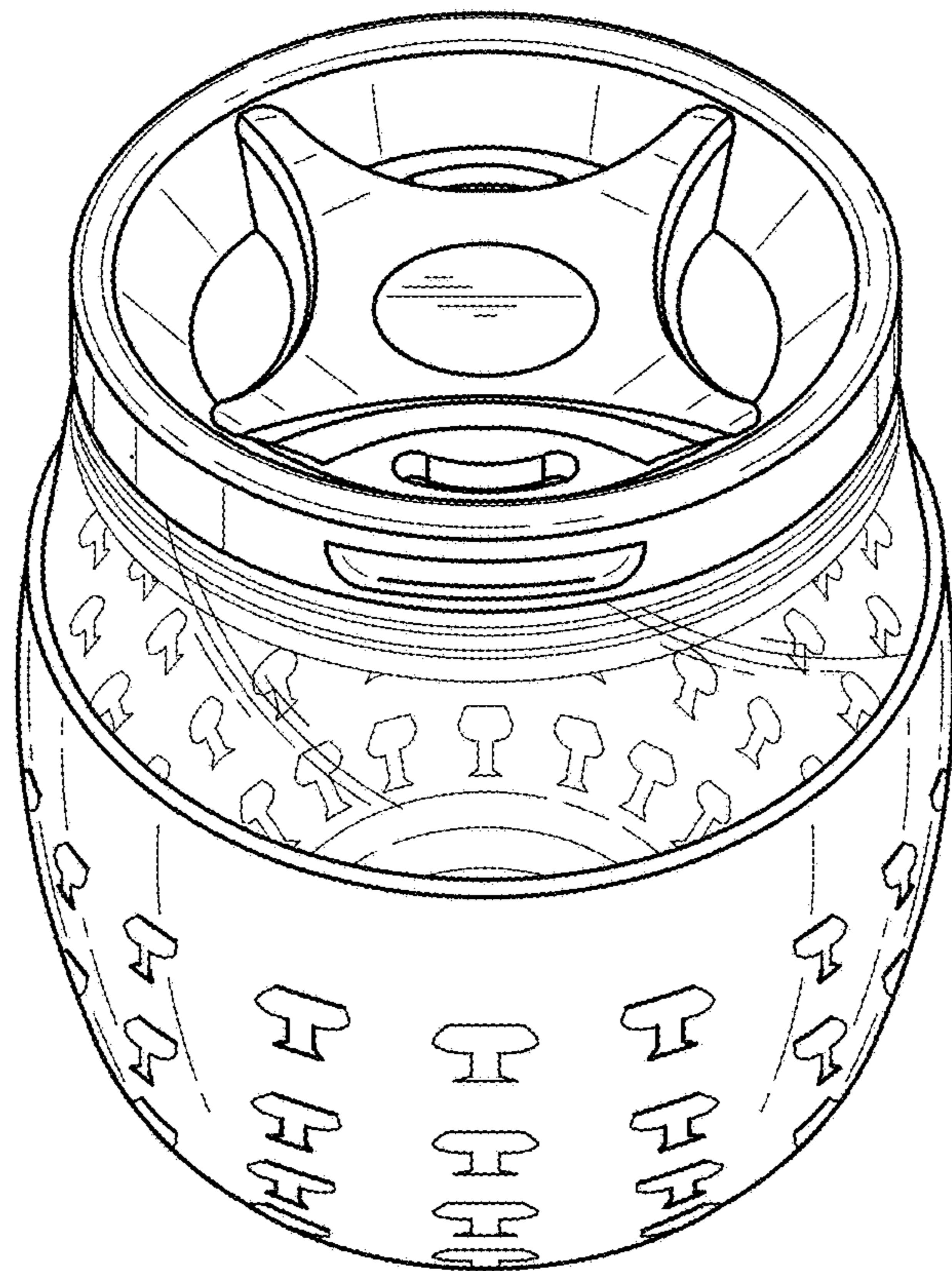


FIG. 1

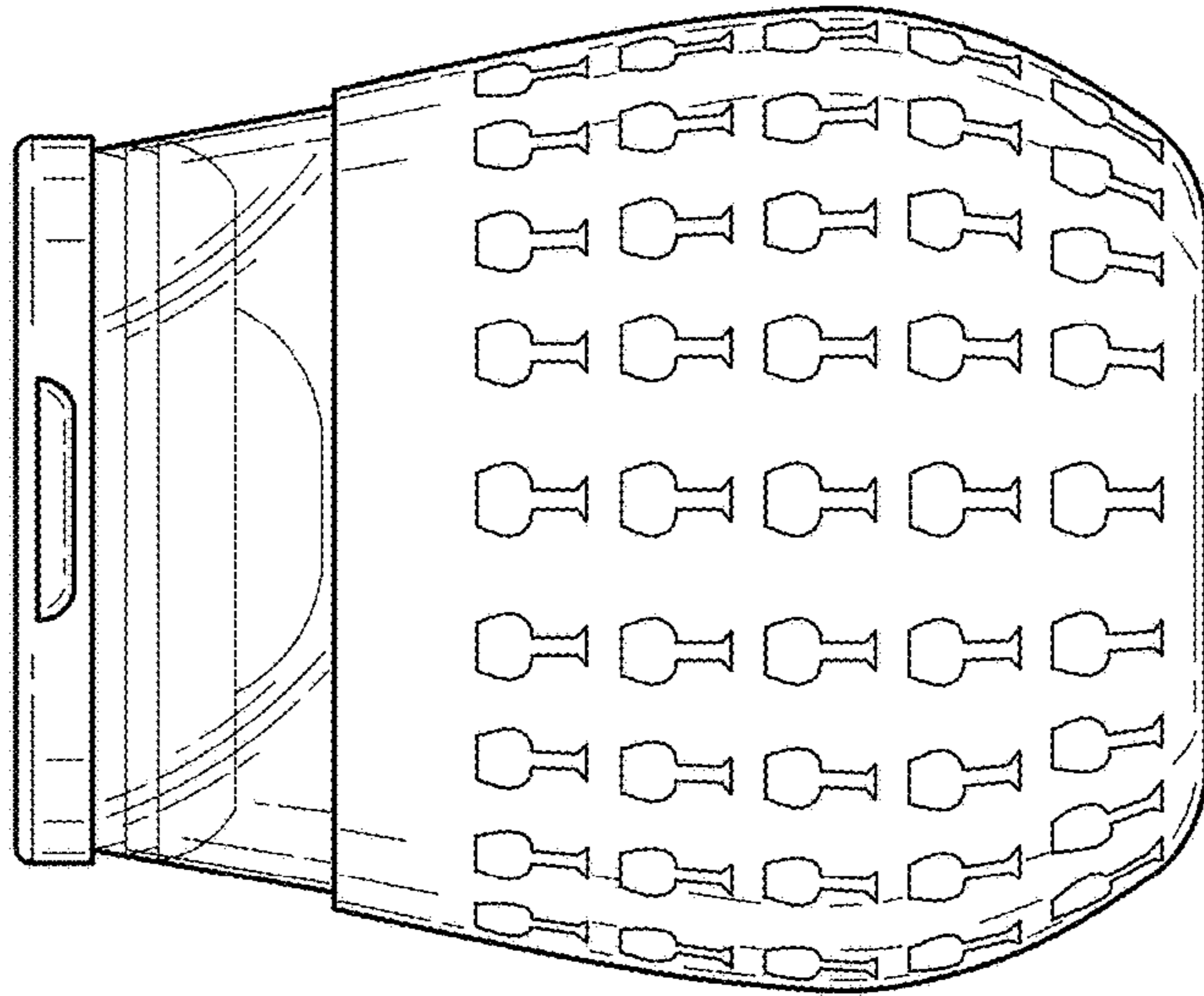


FIG. 3

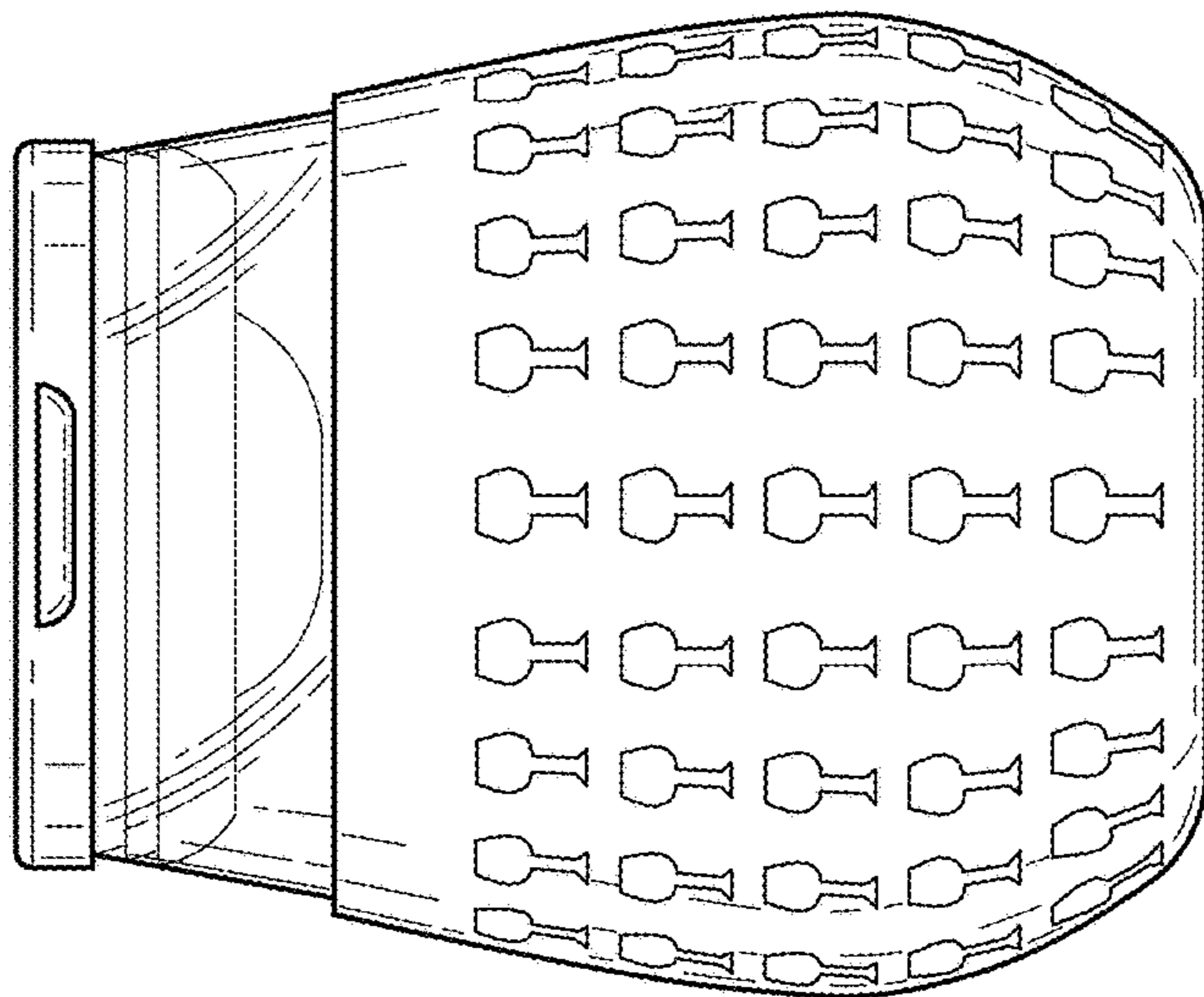


FIG. 2



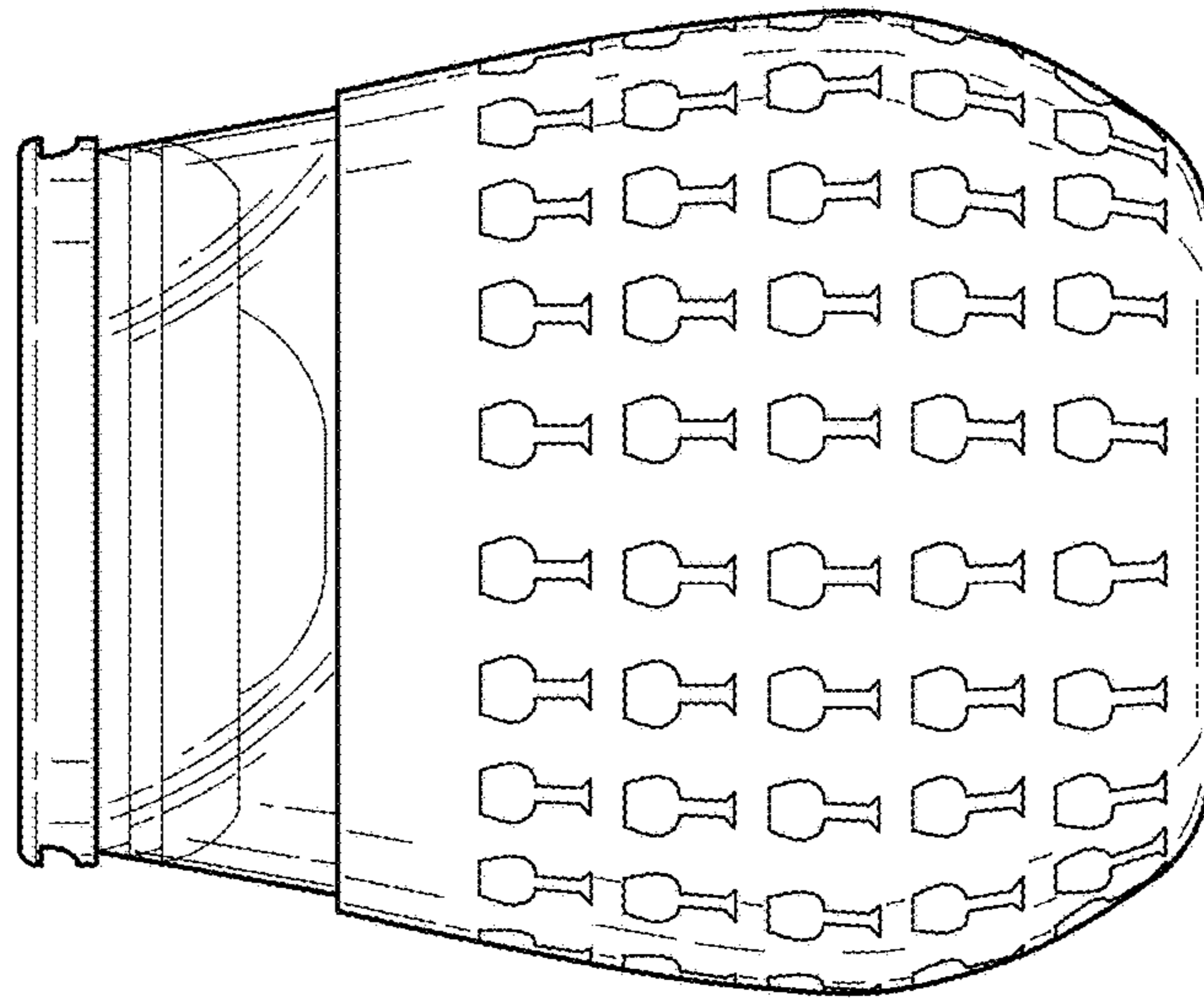


FIG. 5

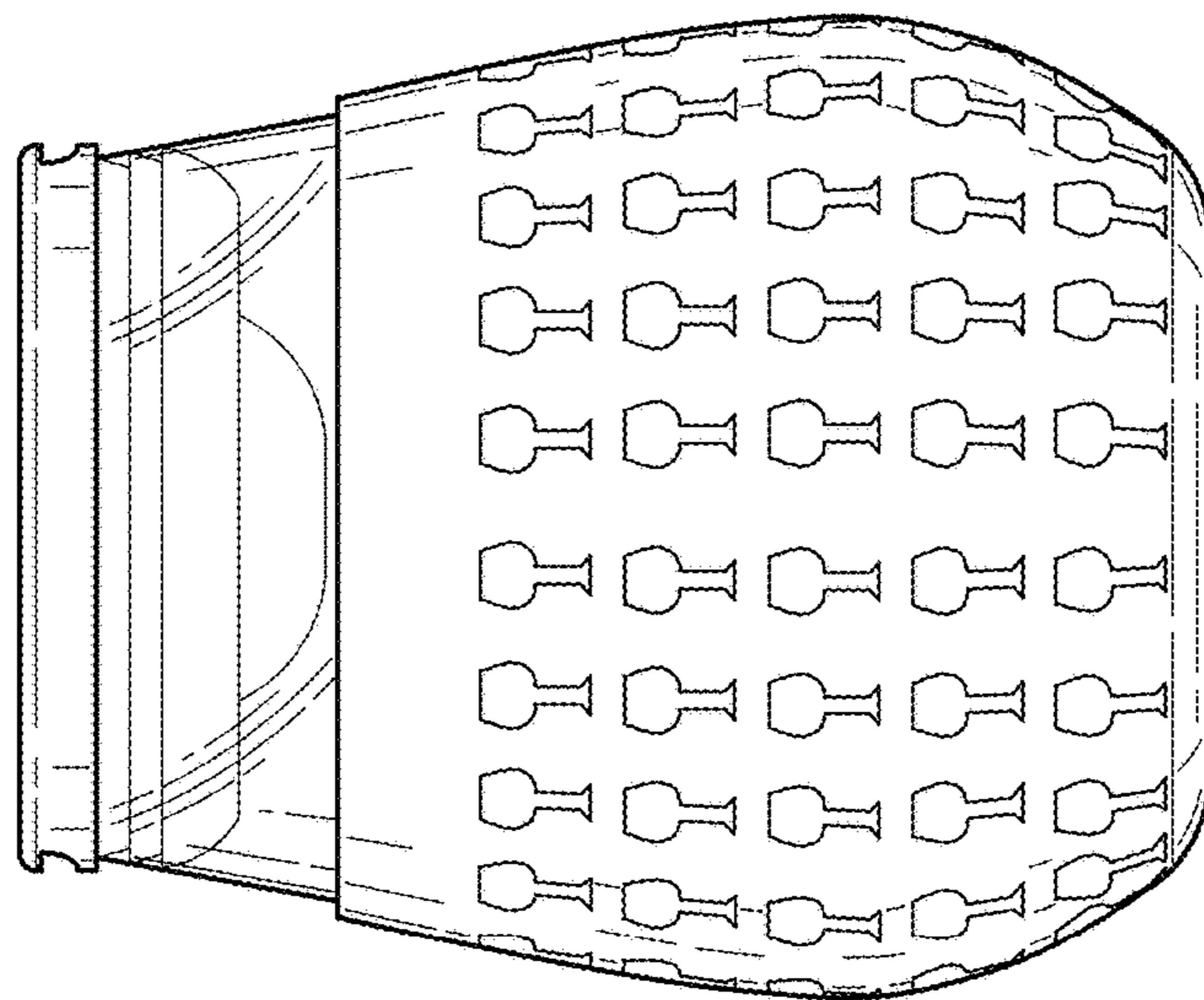


FIG. 4

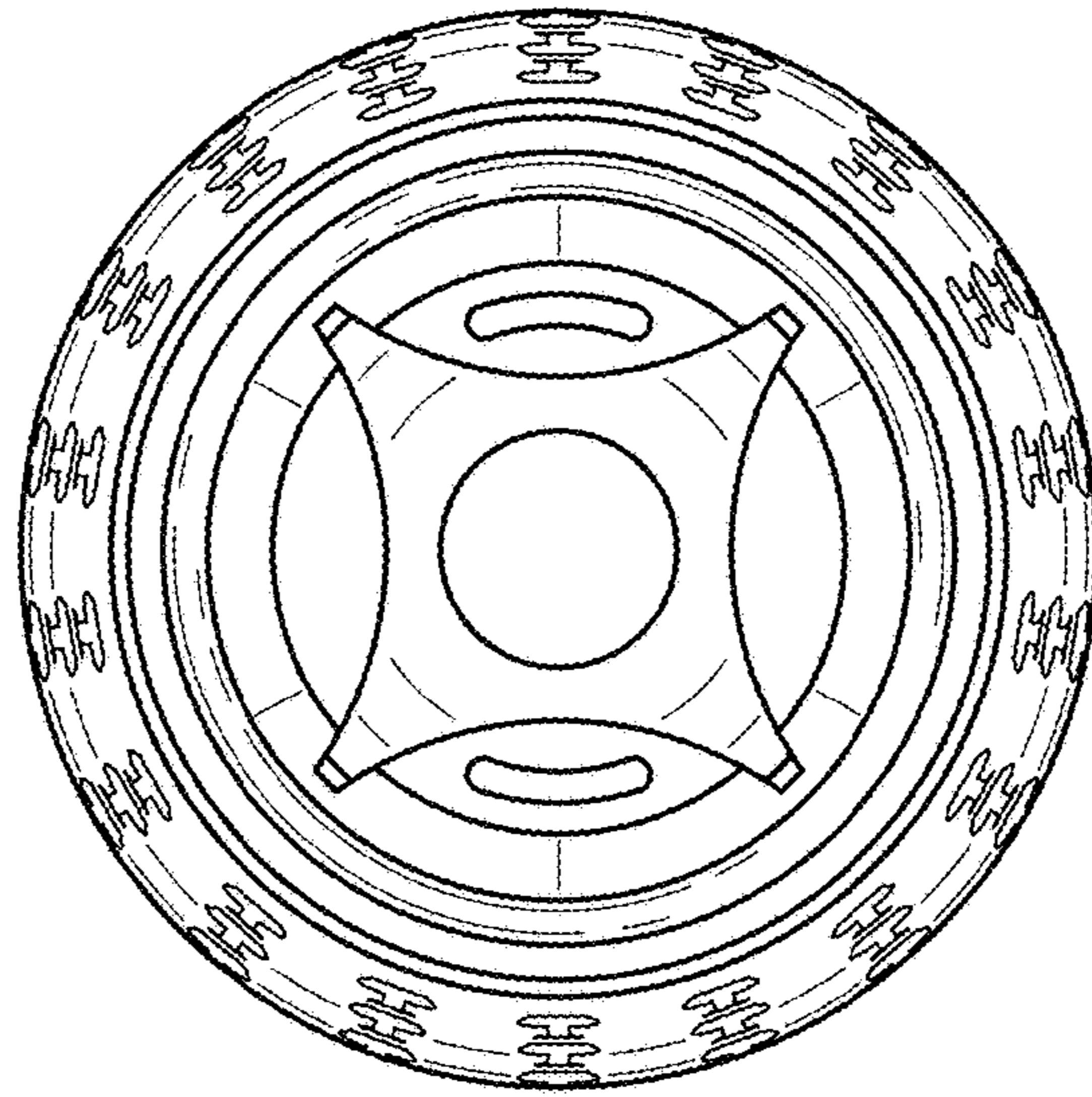


FIG. 6

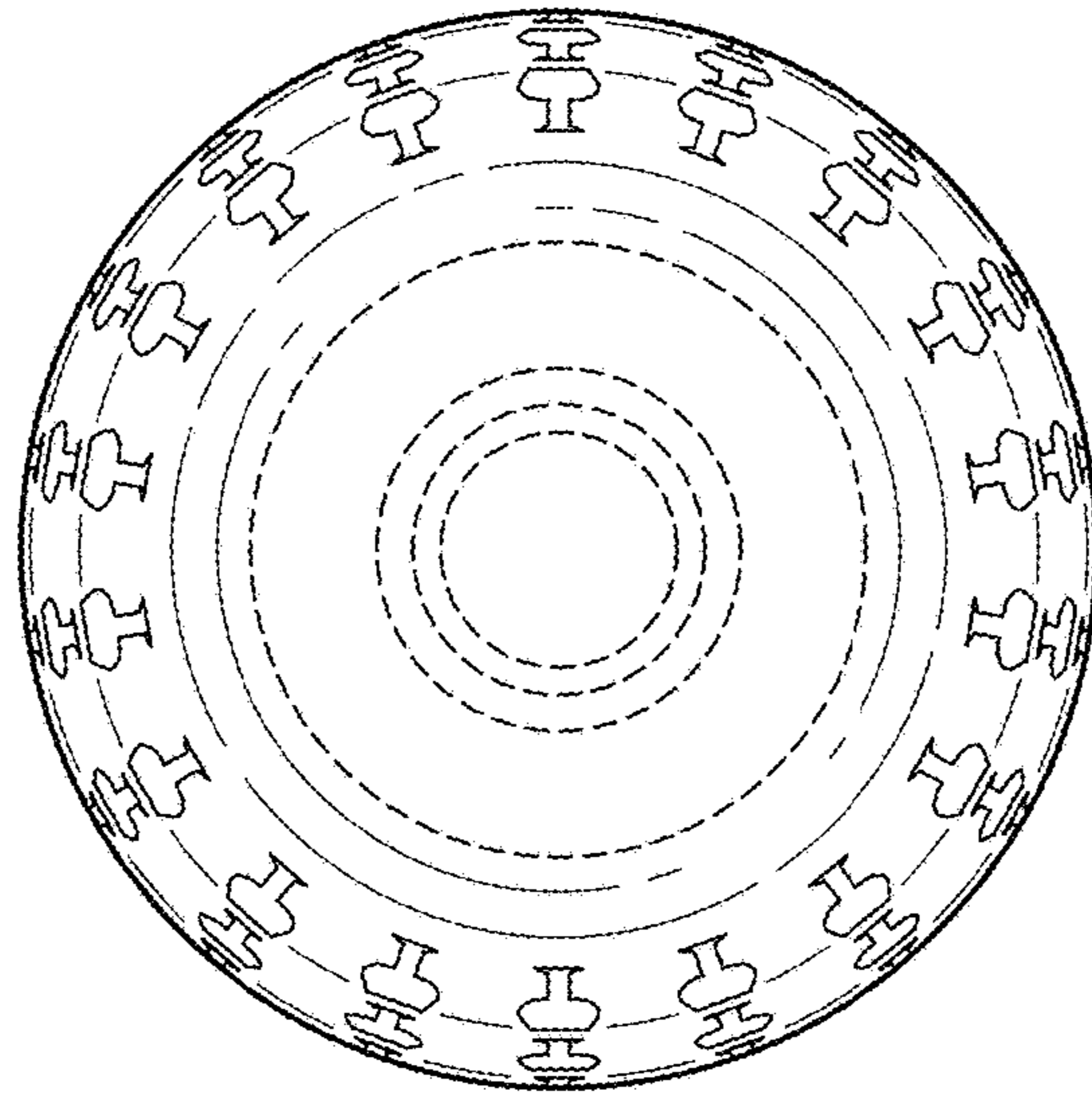


FIG. 7

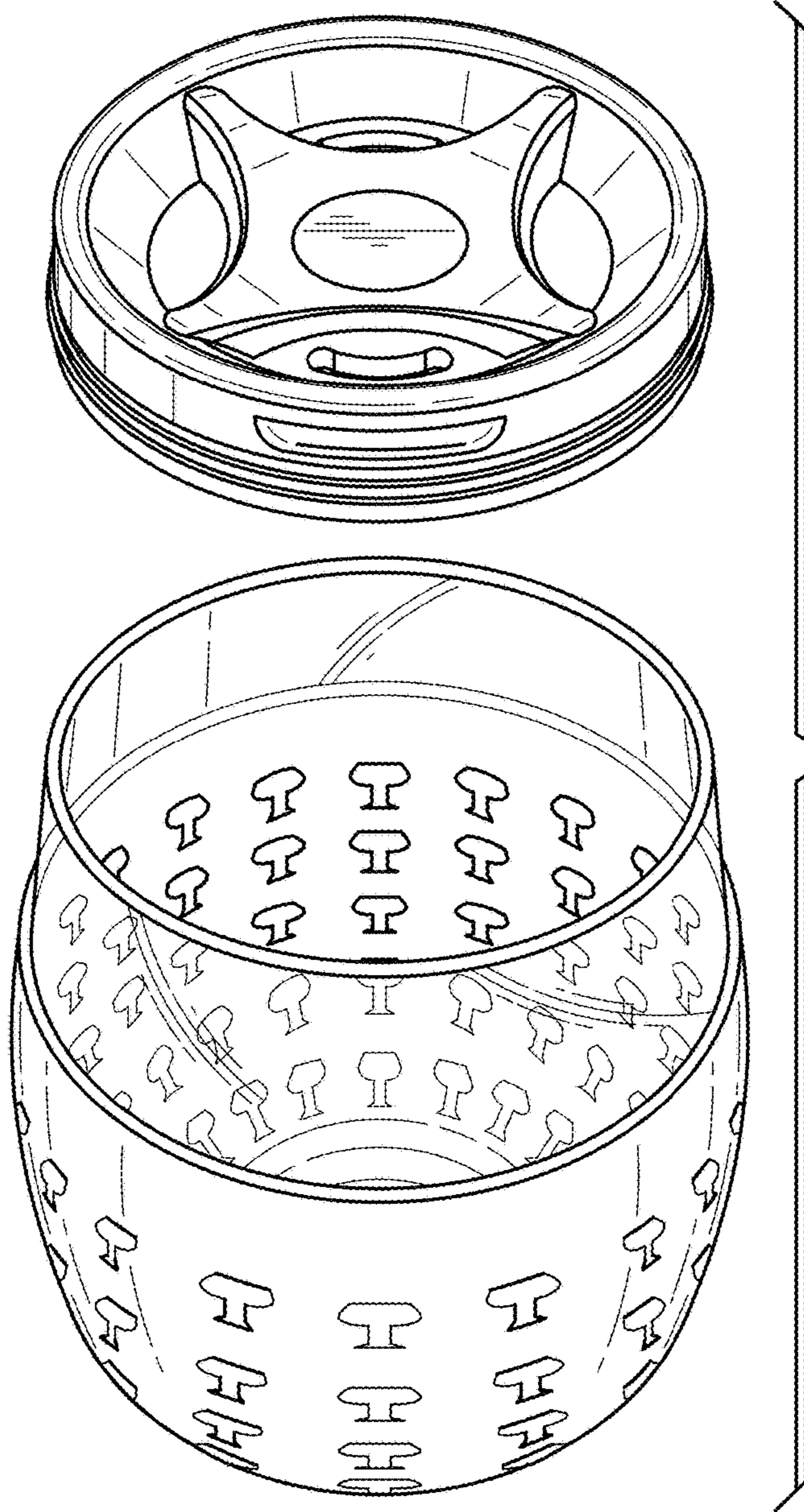


FIG. 8