



US00D860733S

(12) **United States Design Patent**
deBretton Gordon

(10) **Patent No.:** **US D860,733 S**

(45) **Date of Patent:** **** Sep. 24, 2019**

(54) **CAKE STAND**

(71) Applicant: **Robert Welch Designs Ltd.**,
Gloucestershire (GB)

(72) Inventor: **Iain Paul deBretton Gordon**, Shipston
on Stour (GB)

(73) Assignee: **Robert Welch Designs Ltd.**, Chipping,
Campden, Gloucestershire (GB)

(**) Term: **15 Years**

(21) Appl. No.: **29/657,588**

(22) Filed: **Jul. 24, 2018**

(30) **Foreign Application Priority Data**

Feb. 6, 2018 (EM) 004697308-0001

Mar. 1, 2018 (EM) 004733715-0001

(51) **LOC (12) Cl.** **07-07**

(52) **U.S. Cl.**
USPC **D7/610**

(58) **Field of Classification Search**
USPC D7/555, 557, 558, 601, 602, 610, 615,
D7/701, 704, 707

CPC A47G 19/00; A47G 19/30; A47G 23/08;
A47F 7/0064; A47F 7/0071

See application file for complete search history.

(56) **References Cited**

U.S. PATENT DOCUMENTS

D166,528 S * 4/1952 Cole et al. D6/680.3
D178,752 S * 9/1956 Berg et al. D7/704
D191,897 S * 12/1961 Shirley et al. D30/101
3,169,496 A * 2/1965 Muggli A47G 23/08
108/101
D227,627 S * 7/1973 Stephenson et al. D6/405
D281,049 S * 10/1985 Rau D11/184

D285,992 S * 10/1986 De Vries D6/677.2
D357,160 S * 4/1995 Fritze D6/677.3
D375,819 S * 11/1996 Benson D30/133
D380,350 S * 7/1997 Tortorella D7/501
D389,016 S * 1/1998 Walters D7/610
D397,584 S * 9/1998 Vannello D7/388
5,878,671 A * 3/1999 Kehl A47F 5/025
108/22
D413,046 S * 8/1999 Fritze D7/505
D424,835 S * 5/2000 Walters-Dowding D7/610
D427,455 S * 7/2000 Walters-Dowding D6/677.2
6,170,961 B1 * 1/2001 Knoch A47G 19/00
108/23
D444,359 S * 7/2001 Levy D7/704
7,287,870 B1 * 10/2007 Knoch G09F 13/04
362/806
D571,615 S * 6/2008 Talbot D7/558
D577,962 S * 10/2008 Bauer D7/552.2
D586,185 S * 2/2009 Tiemann A47J 31/44
D7/590
D591,569 S * 5/2009 Cash D7/704
D600,505 S * 9/2009 Godinger D7/610

(Continued)

Primary Examiner — John Windmuller

Assistant Examiner — Steven J Czyz

(74) *Attorney, Agent, or Firm* — MacMillan, Sobanski &
Todd, LLC

(57) **CLAIM**

The ornamental design for a cake stand, as shown.

DESCRIPTION

FIG. 1 is a perspective view of a cake stand showing my new design.

FIG. 2 is a left side view thereof.

FIG. 3 is a right side view thereof.

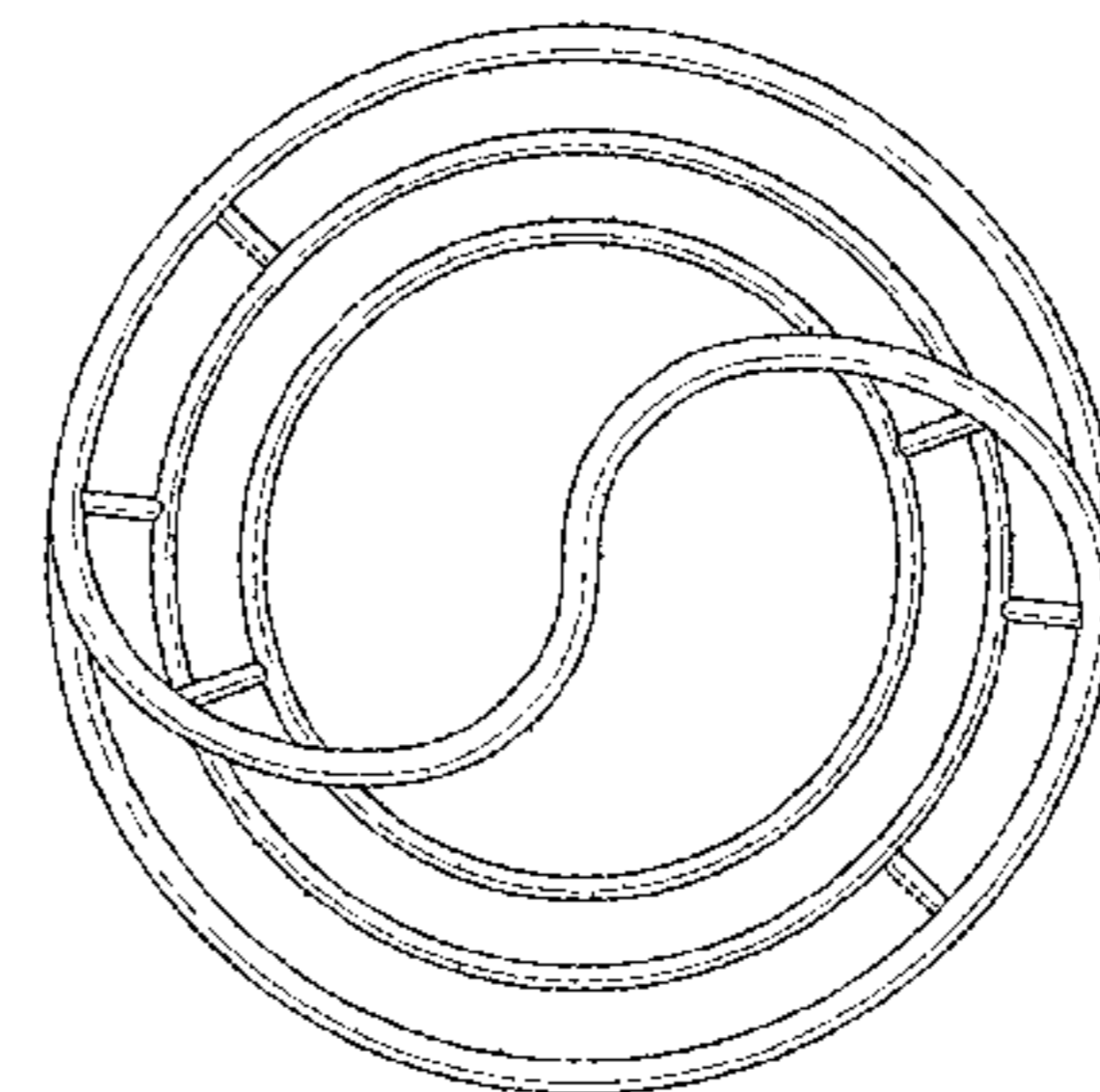
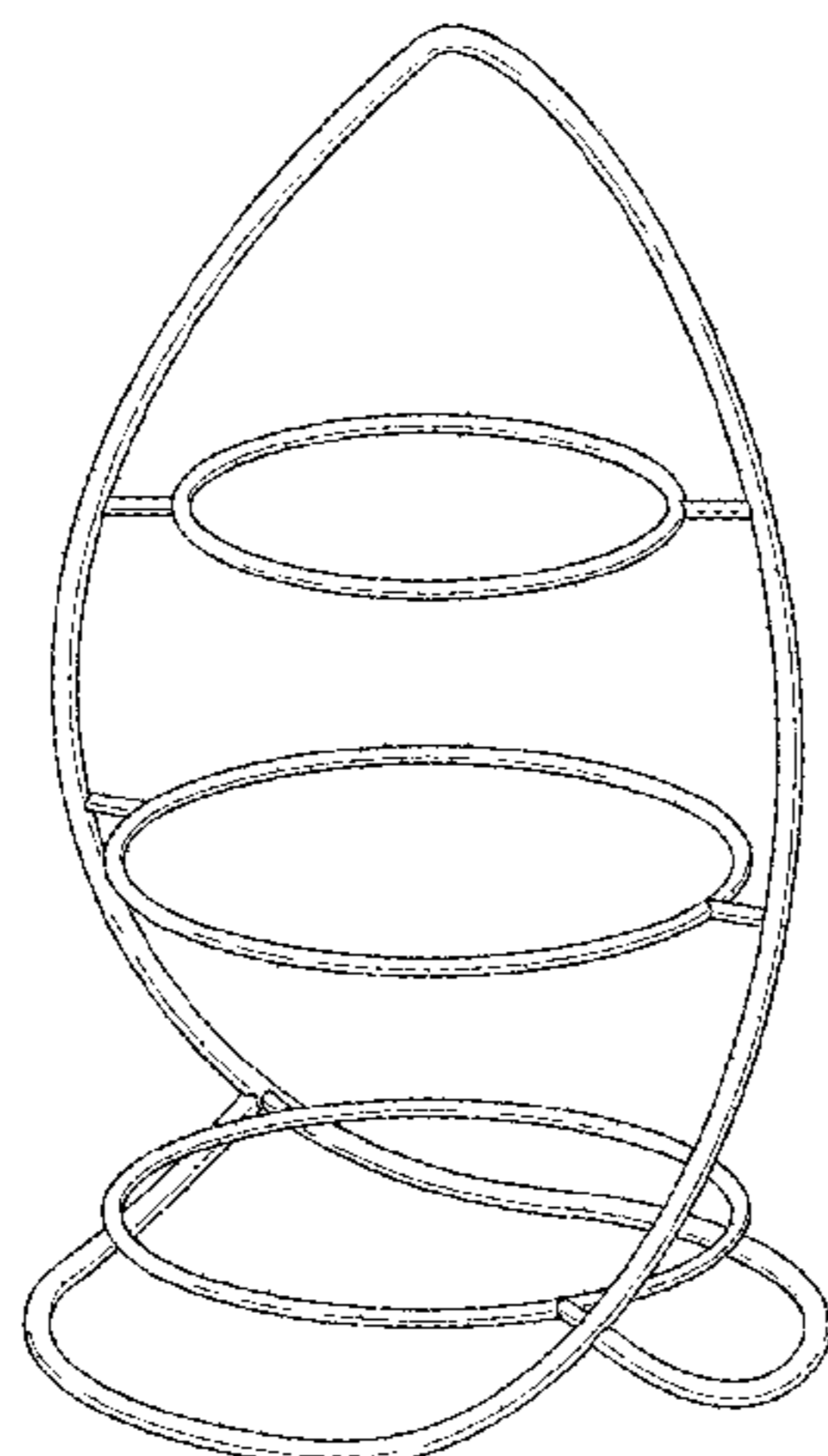
FIG. 4 is a front side view thereof.

FIG. 5 is a rear side view thereof.

FIG. 6 is top view thereof; and,

FIG. 7 is a bottom view thereof.

1 Claim, 7 Drawing Sheets



(56)

References Cited

U.S. PATENT DOCUMENTS

D636,637 S * 4/2011 Lupkes D7/501
D658,011 S * 4/2012 Goode D7/610
D664,010 S * 7/2012 Goode D7/610
8,276,524 B2 * 10/2012 Goode A47G 19/00
108/101
D689,716 S * 9/2013 Chase D6/677.2
D692,727 S * 11/2013 Mandel D7/610
D707,493 S * 6/2014 Frei D7/558
D803,007 S * 11/2017 Liao D7/610
D811,170 S * 2/2018 Goodman D7/601

* cited by examiner

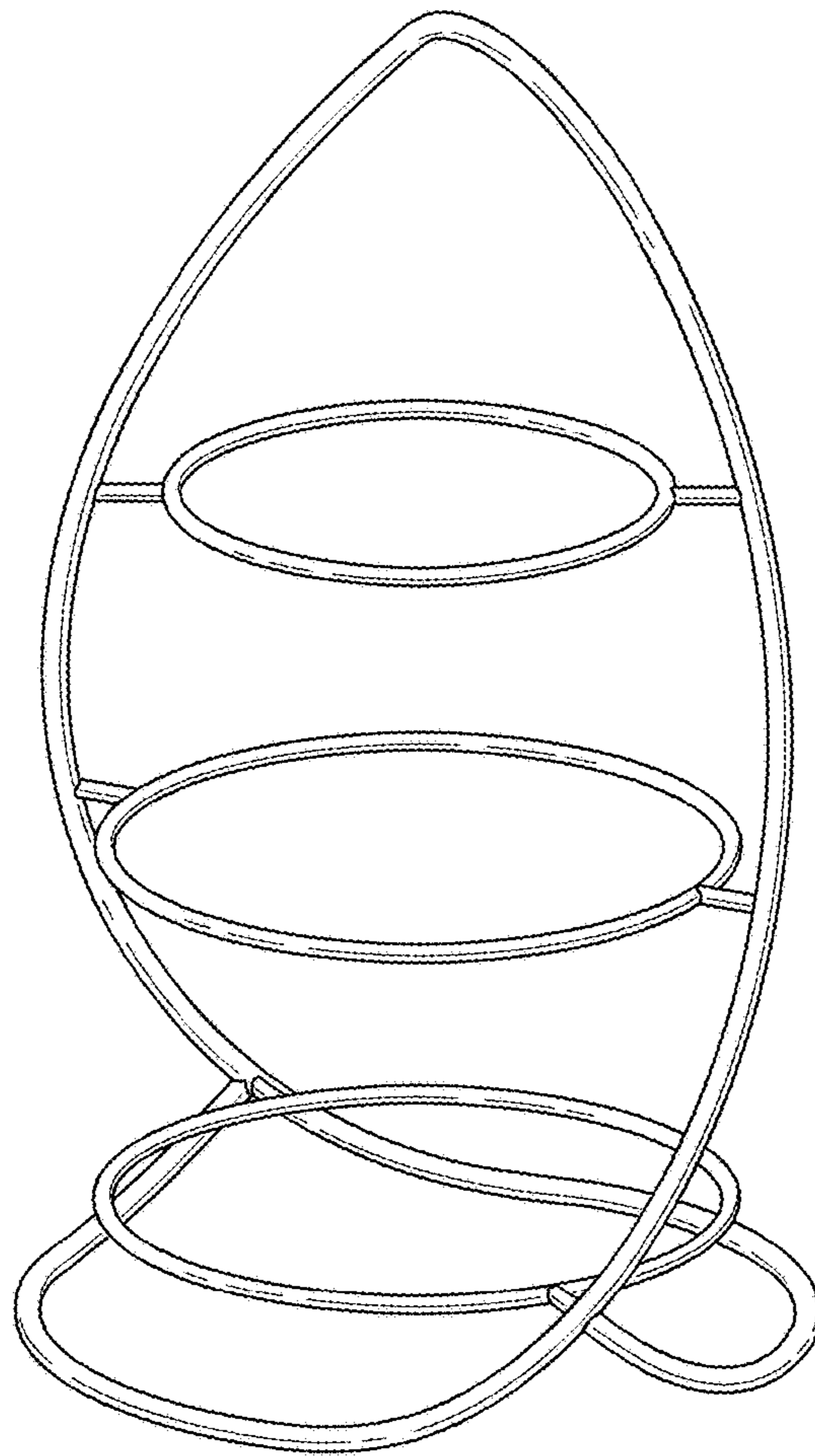


FIG. 1

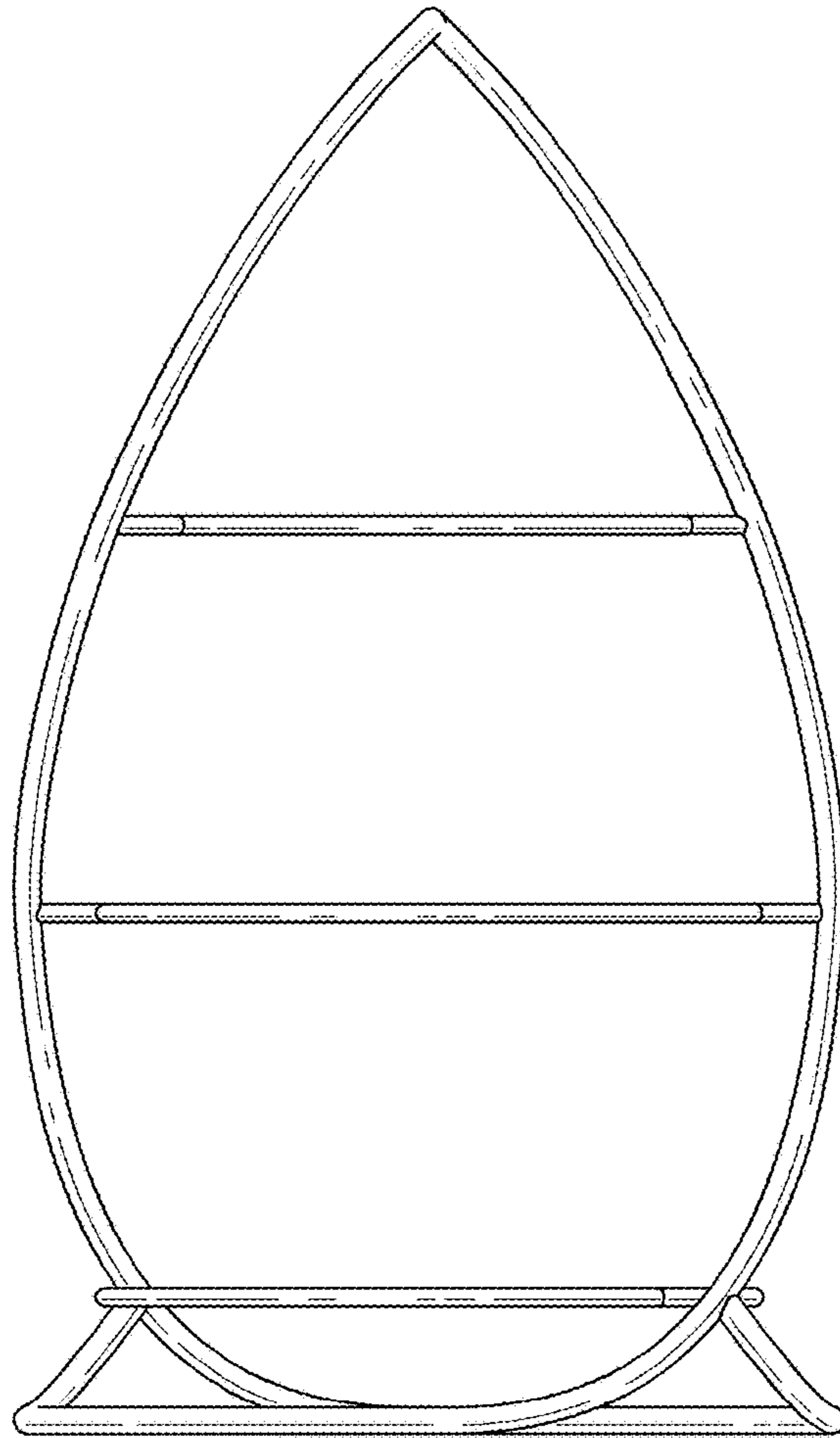


FIG. 2

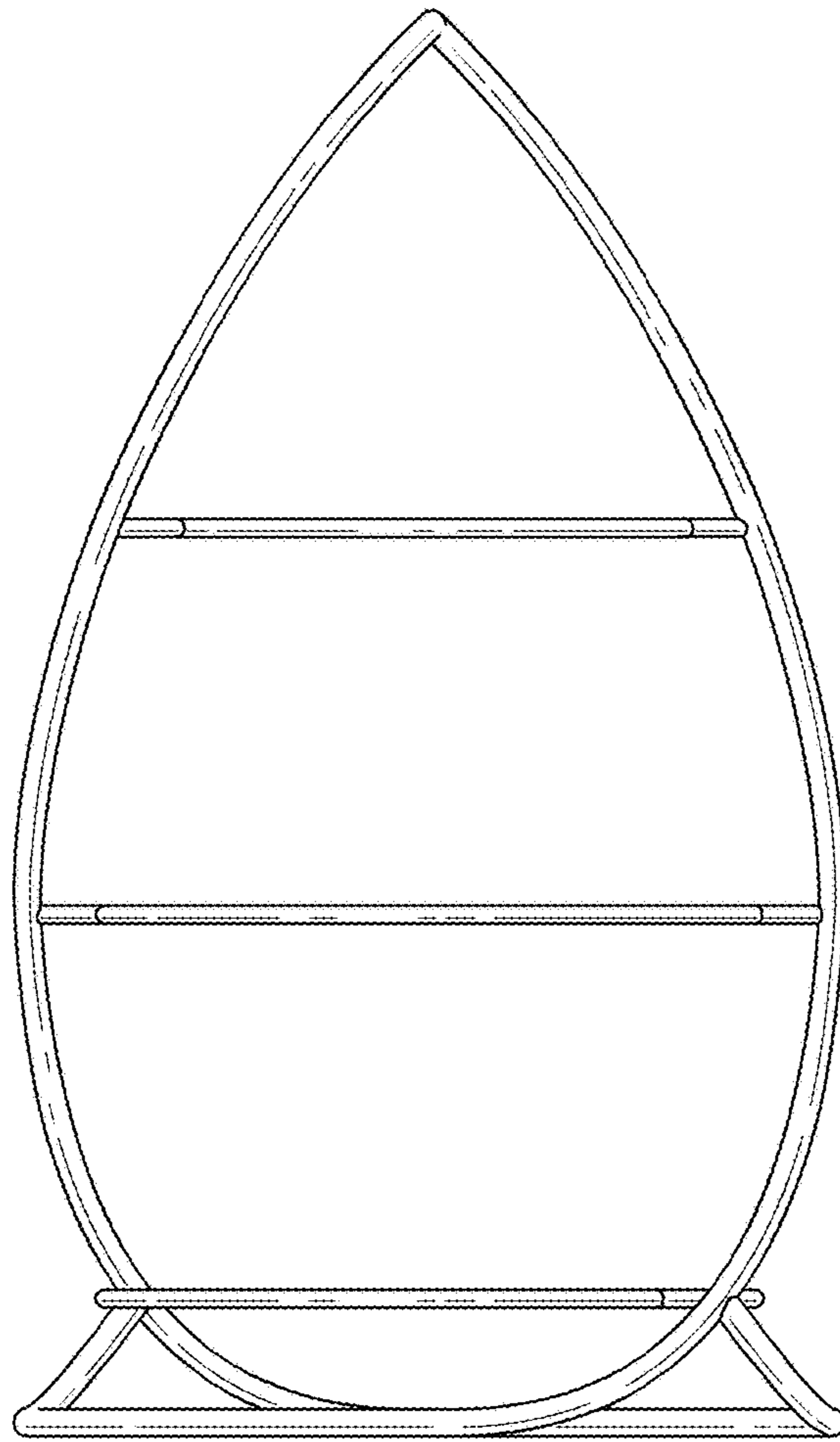


FIG. 3

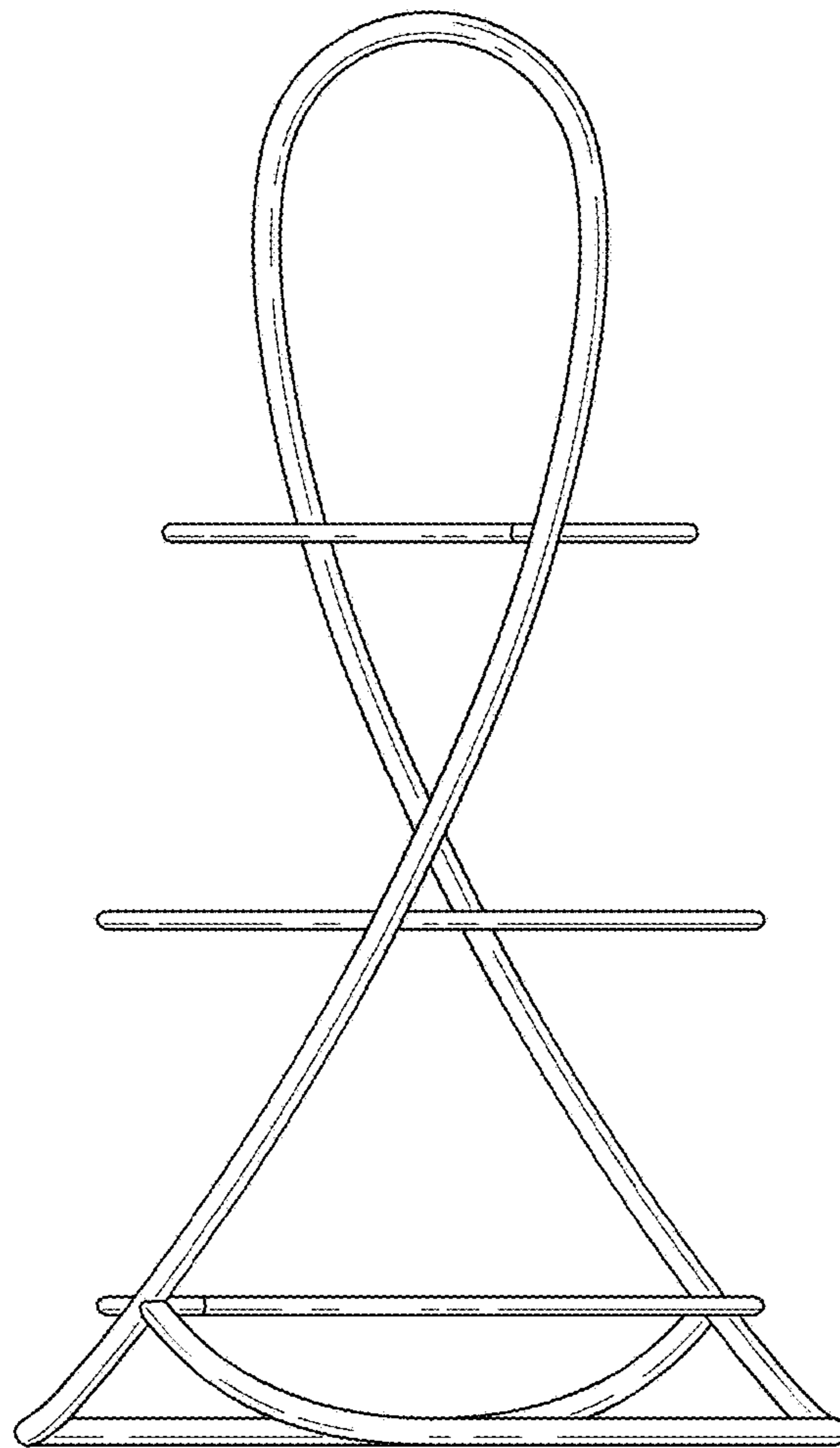


FIG. 4

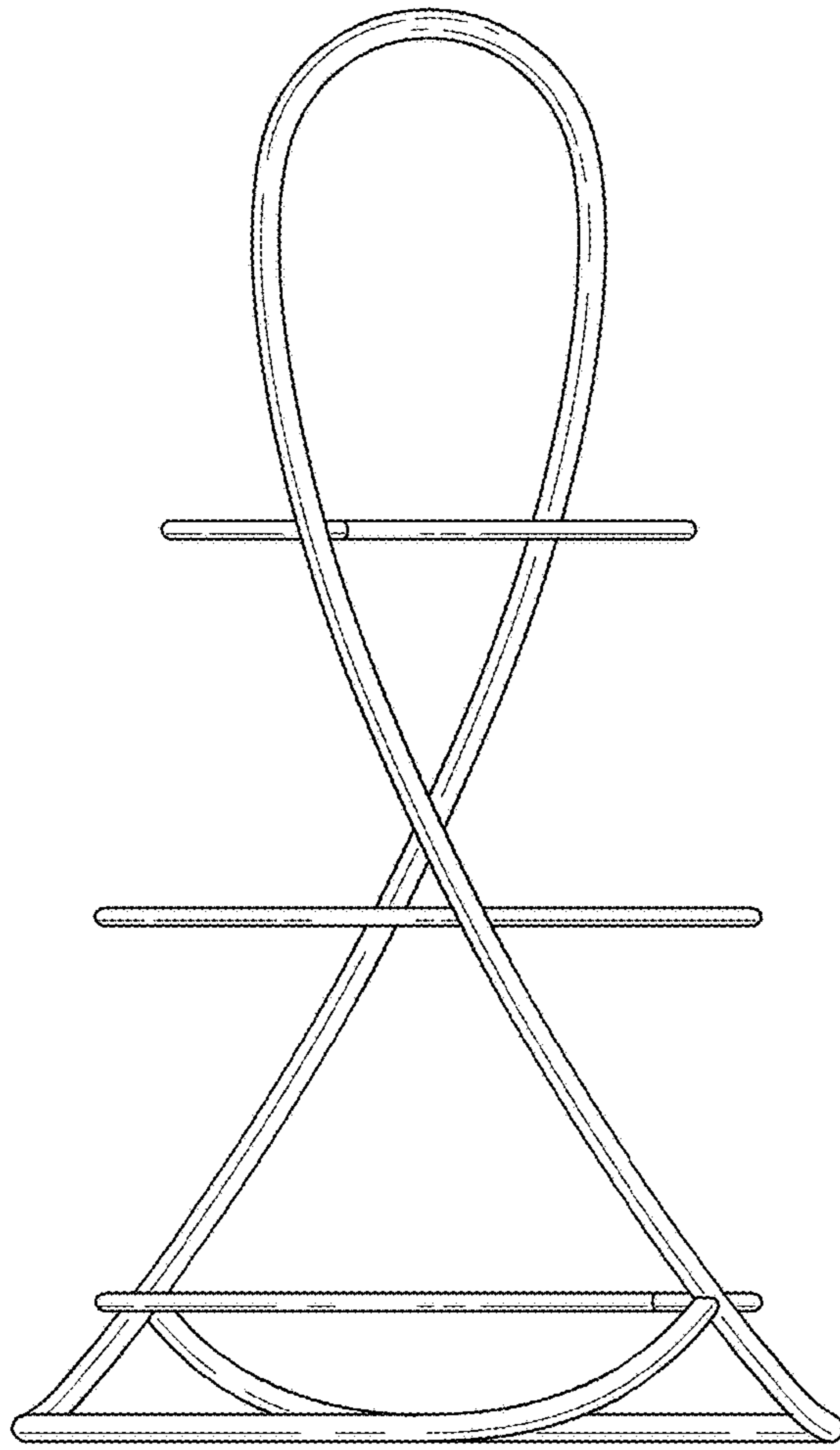


FIG. 5

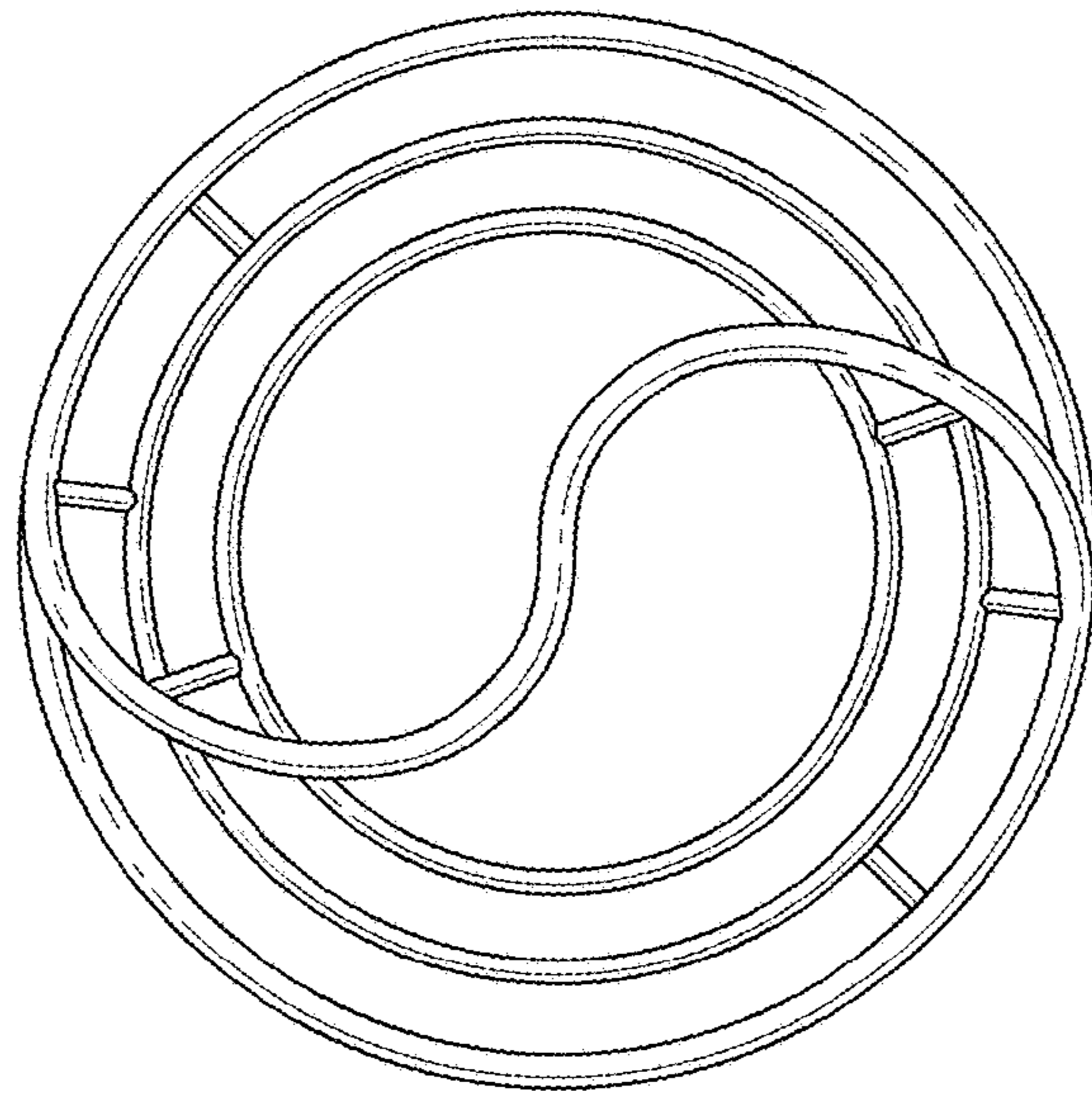


FIG. 6

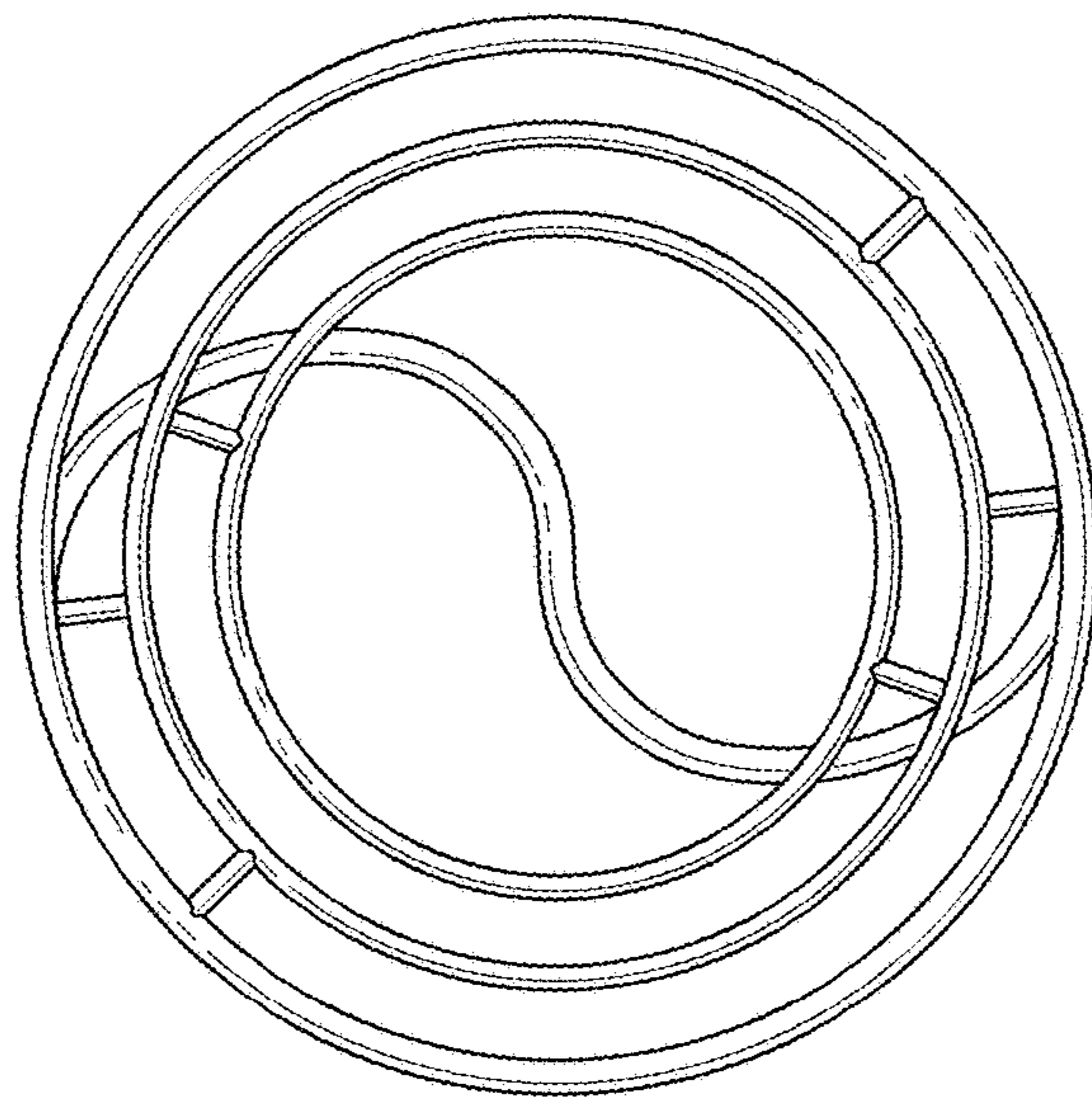


FIG. 7