



US00D860732S

(12) **United States Design Patent**  
**Fleischhut**

(10) **Patent No.:** **US D860,732 S**  
(45) **Date of Patent:** **\*\* Sep. 24, 2019**

(54) **VACUUM-INSULATED FLASK**  
(71) Applicant: **ESBIT COMPAGNIE GMBH**,  
Hamburg (DE)  
(72) Inventor: **Dirk Fleischhut**, Zürich (DE)  
(\*\*) Term: **15 Years**  
(21) Appl. No.: **35/505,346**  
(22) Filed: **Jun. 29, 2018**  
(80) **Hague Agreement Data**  
Int. Filing Date: **Jun. 29, 2018**  
Int. Reg. No.: **DM/101916**  
Int. Reg. Date: **Jun. 29, 2018**  
Int. Reg. Pub. Date: **Jul. 20, 2018**

(30) **Foreign Application Priority Data**  
Jan. 2, 2018 (EM) ..... 004582500-0024  
(51) **LOC (12) Cl.** ..... **07-07**  
(52) **U.S. Cl.**  
USPC ..... **D7/608**  
(58) **Field of Classification Search**  
USPC ..... D7/505, 507, 510, 511, 529, 533, 536,  
D7/300.1, 589, 591, 608, 396.2, 392.1,  
D7/900; D9/434, 435, 442, 447, 449,  
D9/526, 517; 220/592.16, 592.17,  
220/495.03, 509, 62.12, 703, 705;  
215/388, 387  
CPC ..... A47J 43/27; A47J 31/002; A47J 31/005;  
A47J 43/0722; B01F 13/0022; B01F  
15/00512; B01F 15/00564; B01F  
11/0005; B01F 2215/0022; A23G 9/52  
See application file for complete search history.

(56) **References Cited**  
U.S. PATENT DOCUMENTS  
D503,309 S \* 3/2005 Yu ..... D3/202  
D517,864 S \* 3/2006 Yu ..... B65D 1/0223  
D7/510

D689,332 S \* 9/2013 Krasner ..... D30/132  
D691,420 S \* 10/2013 McIntire ..... D7/510  
D702,092 S \* 4/2014 Mettler ..... D7/608  
8,752,539 B2 \* 6/2014 Paap ..... A47J 37/0704  
126/25 A  
D714,154 S \* 9/2014 Keeler ..... D7/510  
D732,972 S \* 6/2015 Barroso Miana ..... D9/688  
D736,562 S \* 8/2015 Green ..... D7/510  
D772,652 S \* 11/2016 Yao ..... D7/510  
D808,219 S \* 1/2018 Heiberger ..... D7/510  
D808,226 S \* 1/2018 Bradley ..... D7/608  
D828,113 S \* 9/2018 Fleischhut ..... D7/608  
D831,433 S \* 10/2018 Fleischhut ..... D7/608  
D842,106 S \* 3/2019 Palin ..... D9/447  
10,246,228 B2 \* 4/2019 Meyers ..... A47G 19/2266  
2012/0193316 A1 \* 8/2012 Starks ..... B65D 81/3205  
215/6  
2016/0316896 A1 \* 11/2016 Breit ..... A45F 3/16  
2019/0029469 A1 \* 1/2019 Jones ..... A45F 3/20

\* cited by examiner

*Primary Examiner* — Mary Ann Calabrese  
*Assistant Examiner* — Jennifer L Rempfer

(57) **CLAIM**

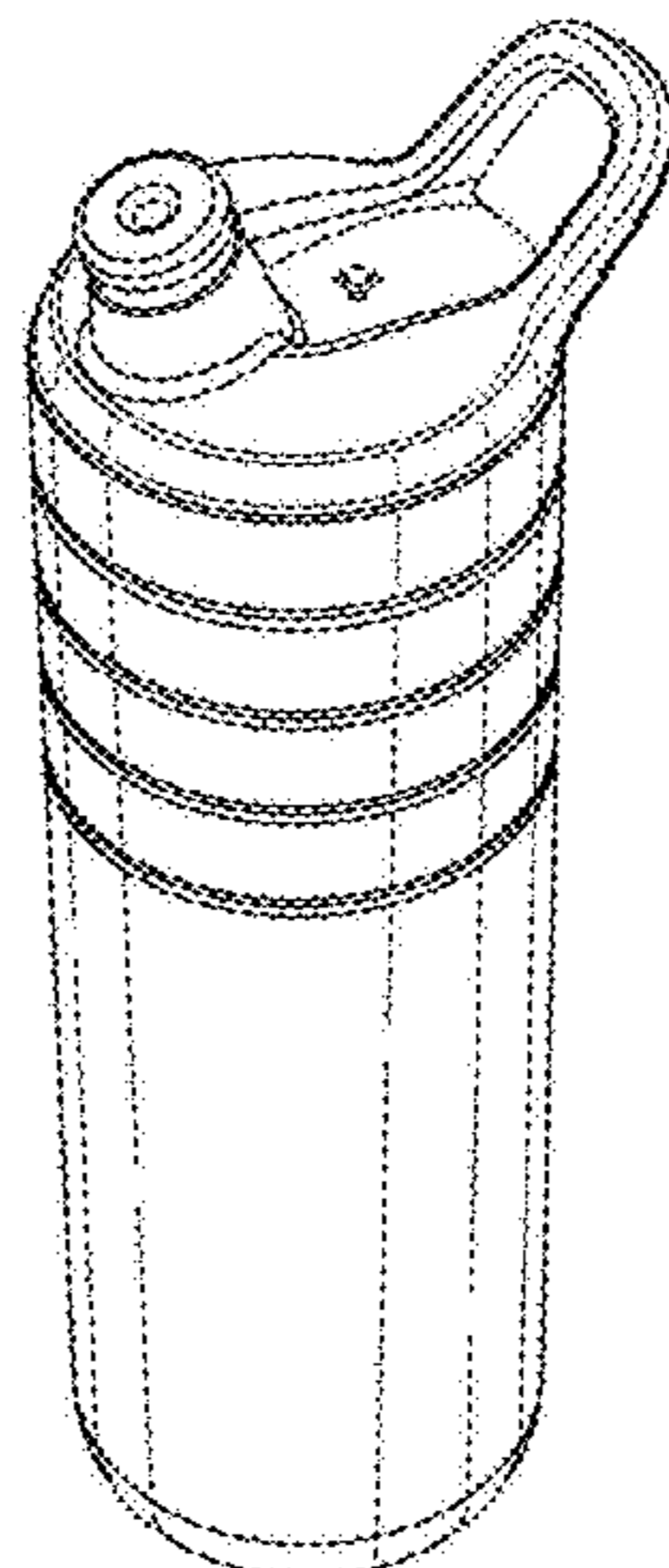
The ornamental design for a vacuum-insulated flask, as shown and described.

**DESCRIPTION**

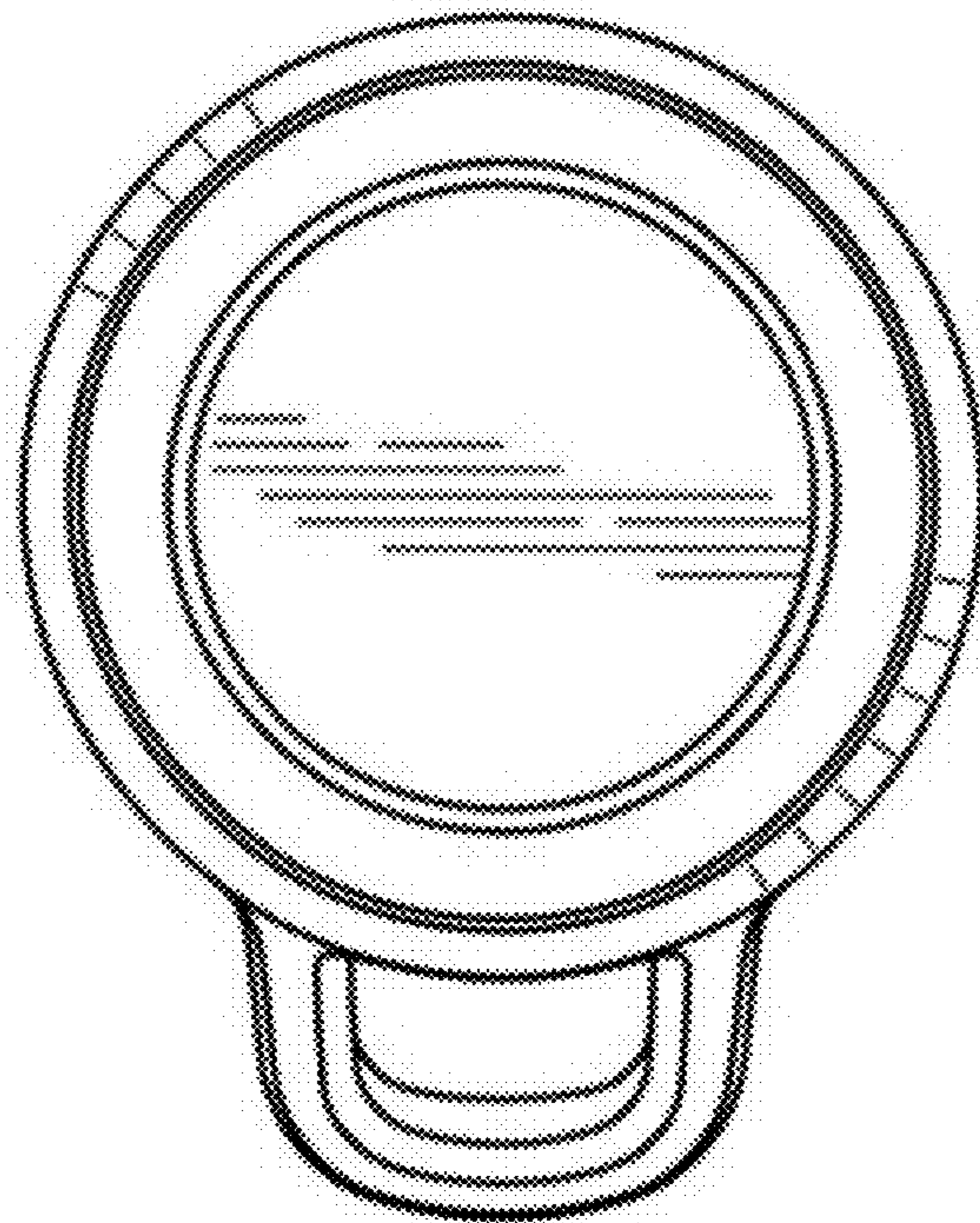
- 1. Vacuum-insulated flask
- 1.1 : Bottom
- 1.2 : Top
- 1.3 : Left
- 1.4 : Right
- 1.5 : Perspective
- 1.6 : Back
- 1.7 : Perspective
- 1.8 : Front

The parallel thin lines in the reproductions represent contours only and do not illustrate an ornamentation or decoration on the surface of the product.

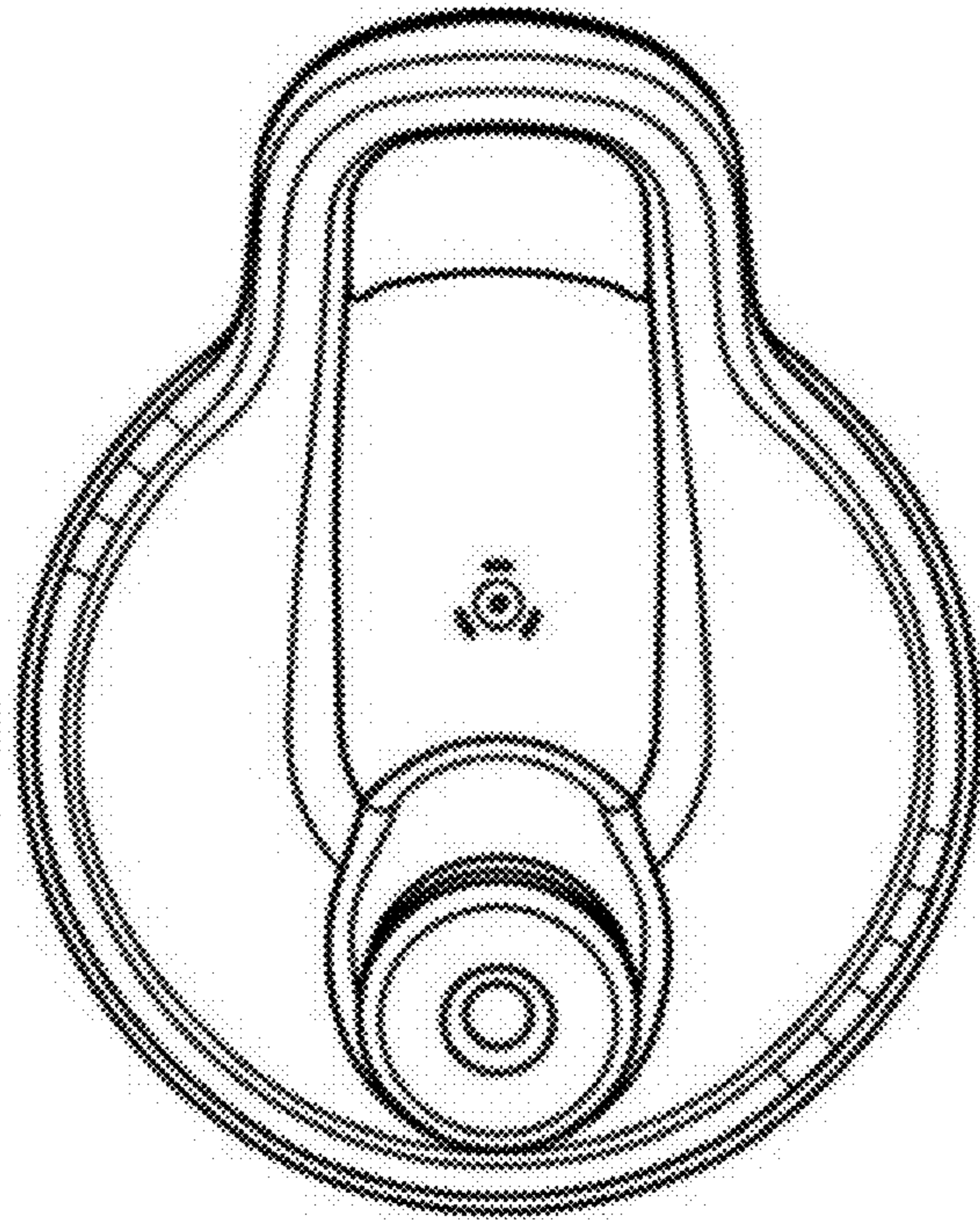
**1 Claim, 8 Drawing Sheets**



**1.1**

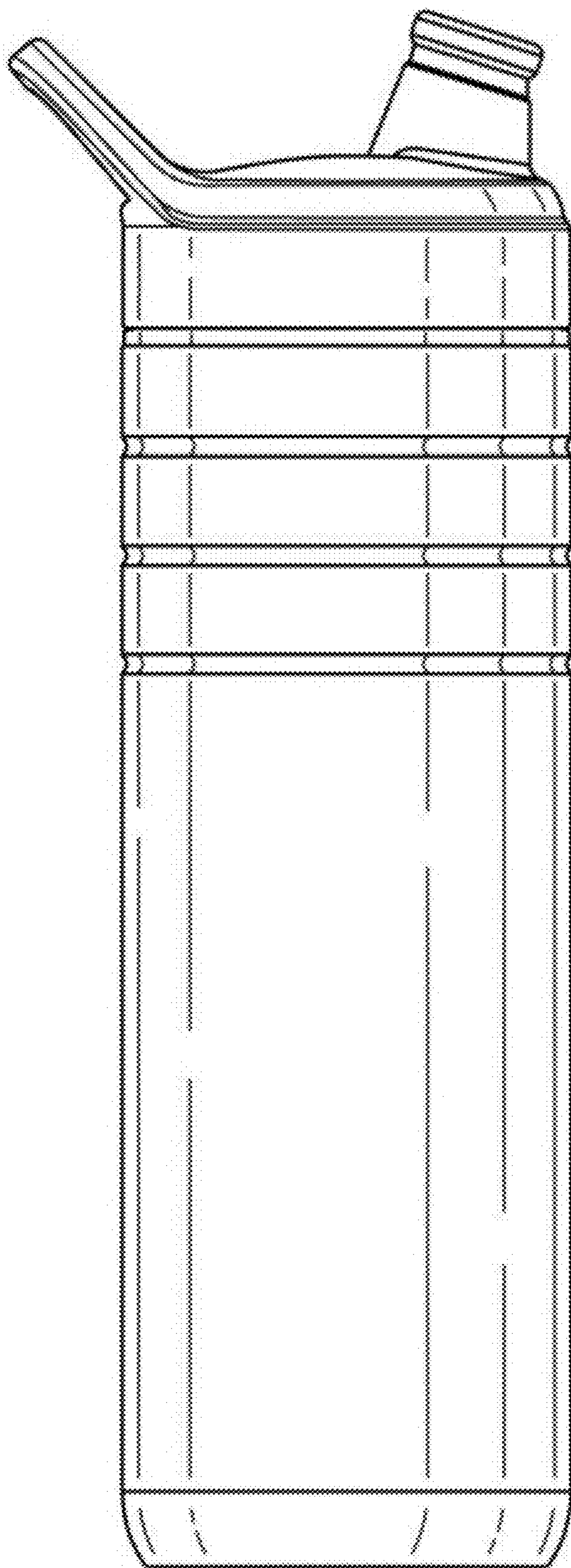


1.2

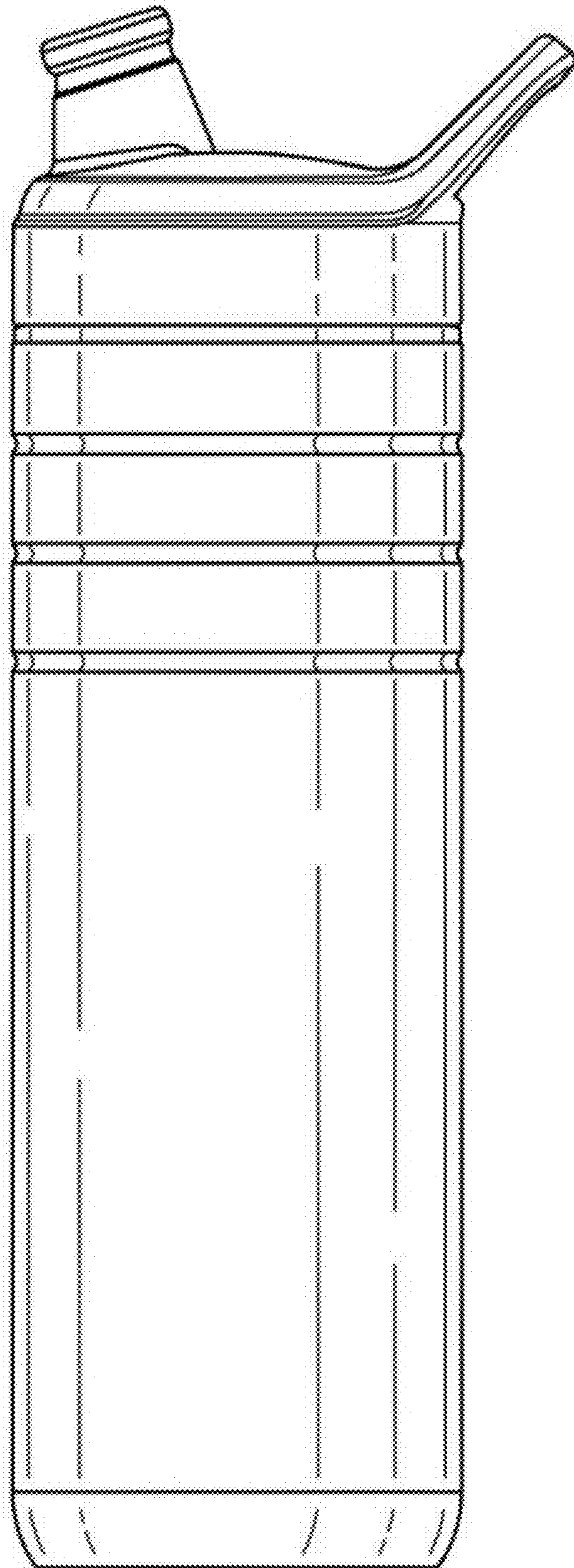




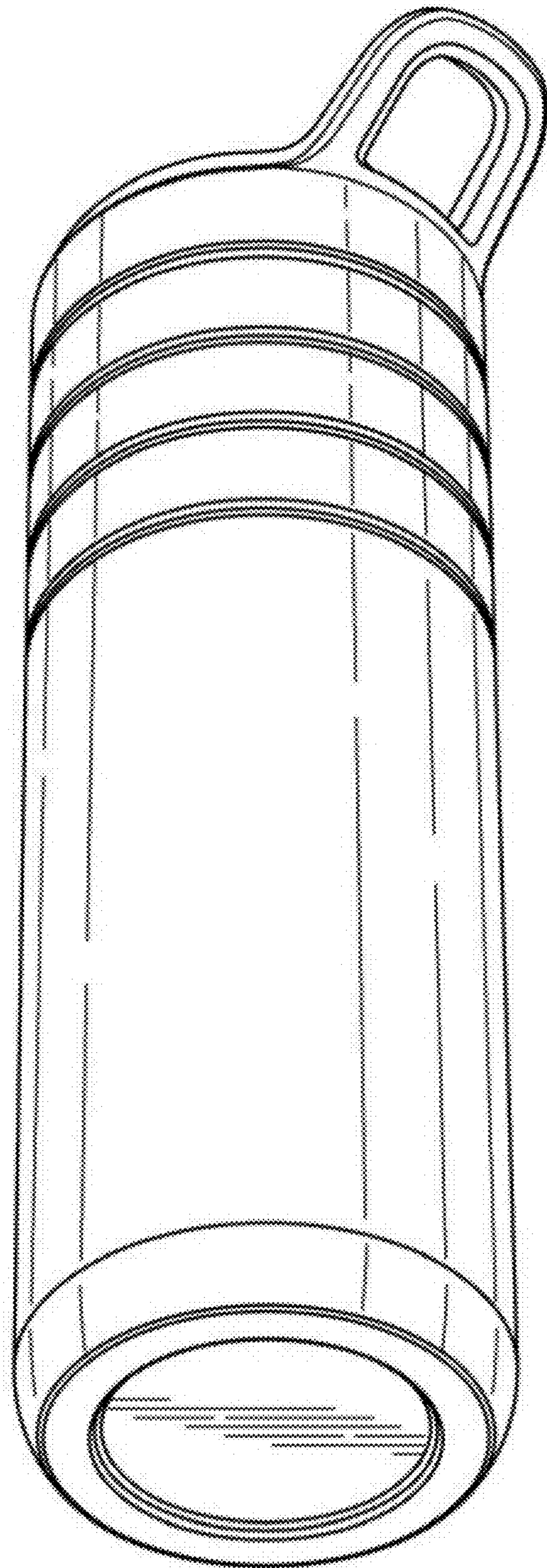
1.3



1.4

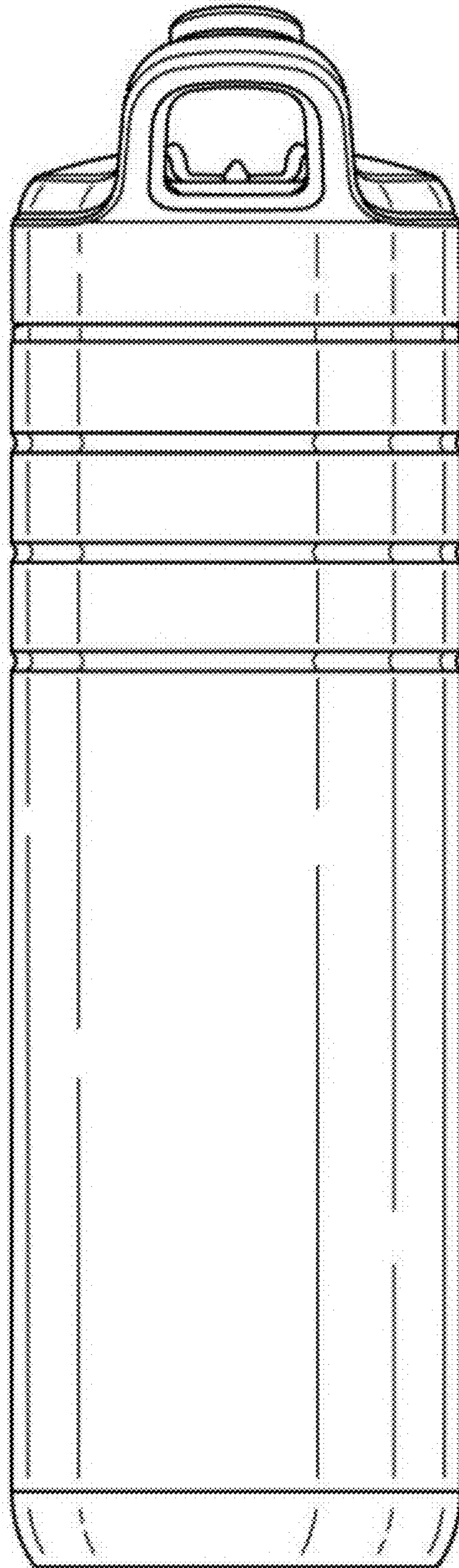


1.5

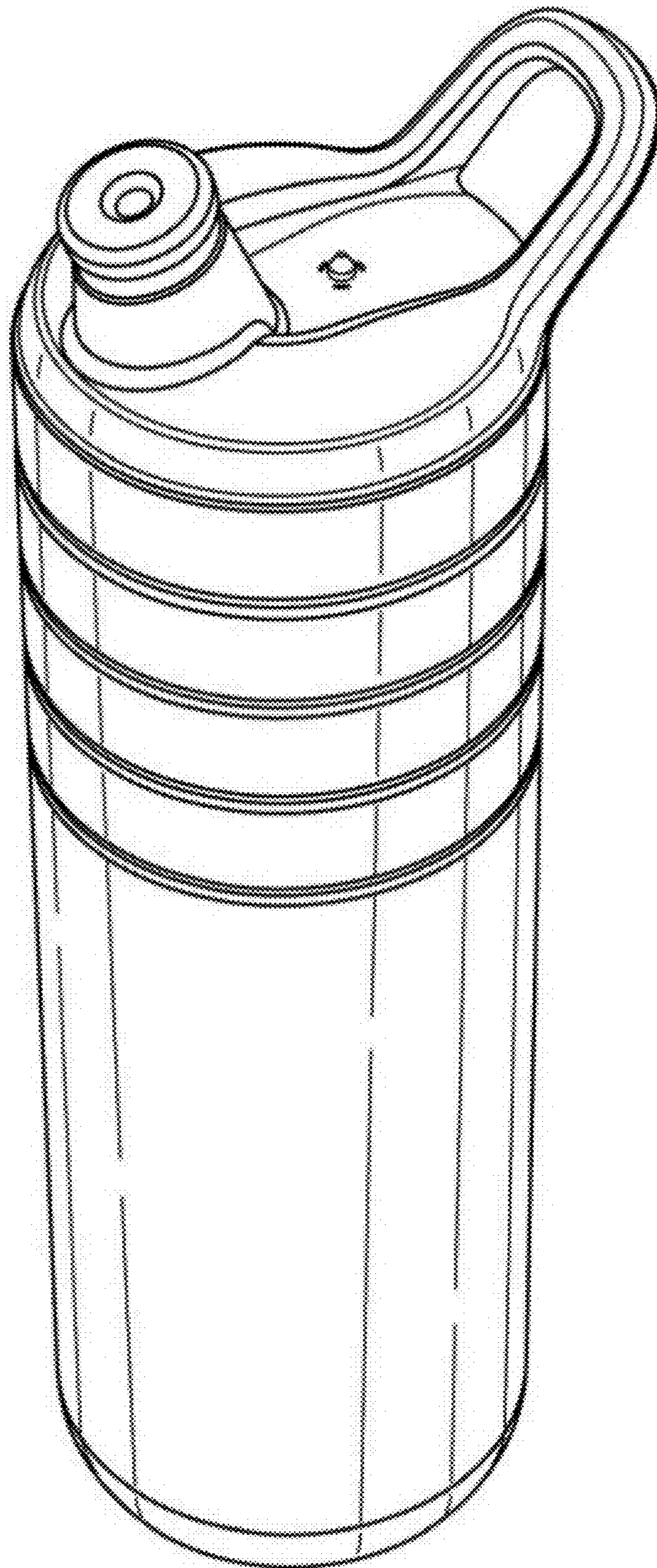




1.6



1.7





1.8

