

US00D860730S

(12) **United States Design Patent**
Moynihan

(10) **Patent No.:** **US D860,730 S**

(45) **Date of Patent:** **** Sep. 24, 2019**

(54) **DRINKING VESSEL**

(71) Applicant: **Kelly Lynn Moynihan**, Delray Beach,
FL (US)

(72) Inventor: **Kelly Lynn Moynihan**, Delray Beach,
FL (US)

(**) Term: **15 Years**

(21) Appl. No.: **29/645,591**

(22) Filed: **Apr. 27, 2018**

(51) **LOC (12) Cl.** **07-01**

(52) **U.S. Cl.**
USPC **D7/523**

(58) **Field of Classification Search**
USPC D7/507, 509, 511, 514, 515, 523, 532,
D7/538, 540, 301, 302, 619.1, 619.2, 213;
D9/715, 719, 516, 575
CPC A47G 19/22; A47G 19/2205; A47G
19/2222; A47G 19/2227; B65D 3/06;
B65D 39/00

See application file for complete search history.

(56) **References Cited**

U.S. PATENT DOCUMENTS

D285,032 S * 8/1986 Alonzo D11/152
D527,223 S * 8/2006 Thun D7/523
D564,894 S * 3/2008 Buoy D7/524
D705,064 S * 5/2014 Sy D11/154
D717,603 S * 11/2014 Federighi D7/509

D741,110 S * 10/2015 Haessig D7/523
D810,513 S * 2/2018 McCoy D7/514
D830,799 S * 10/2018 Najera D8/18
D837,595 S * 1/2019 Ward D7/507
D842,654 S * 3/2019 Born D7/515
2017/0174402 A1* 6/2017 Rogers B65D 55/14

* cited by examiner

Primary Examiner — Derrick E Holland

Assistant Examiner — Andrew Kerr

(74) *Attorney, Agent, or Firm* — Ingram IP Law, P.A.

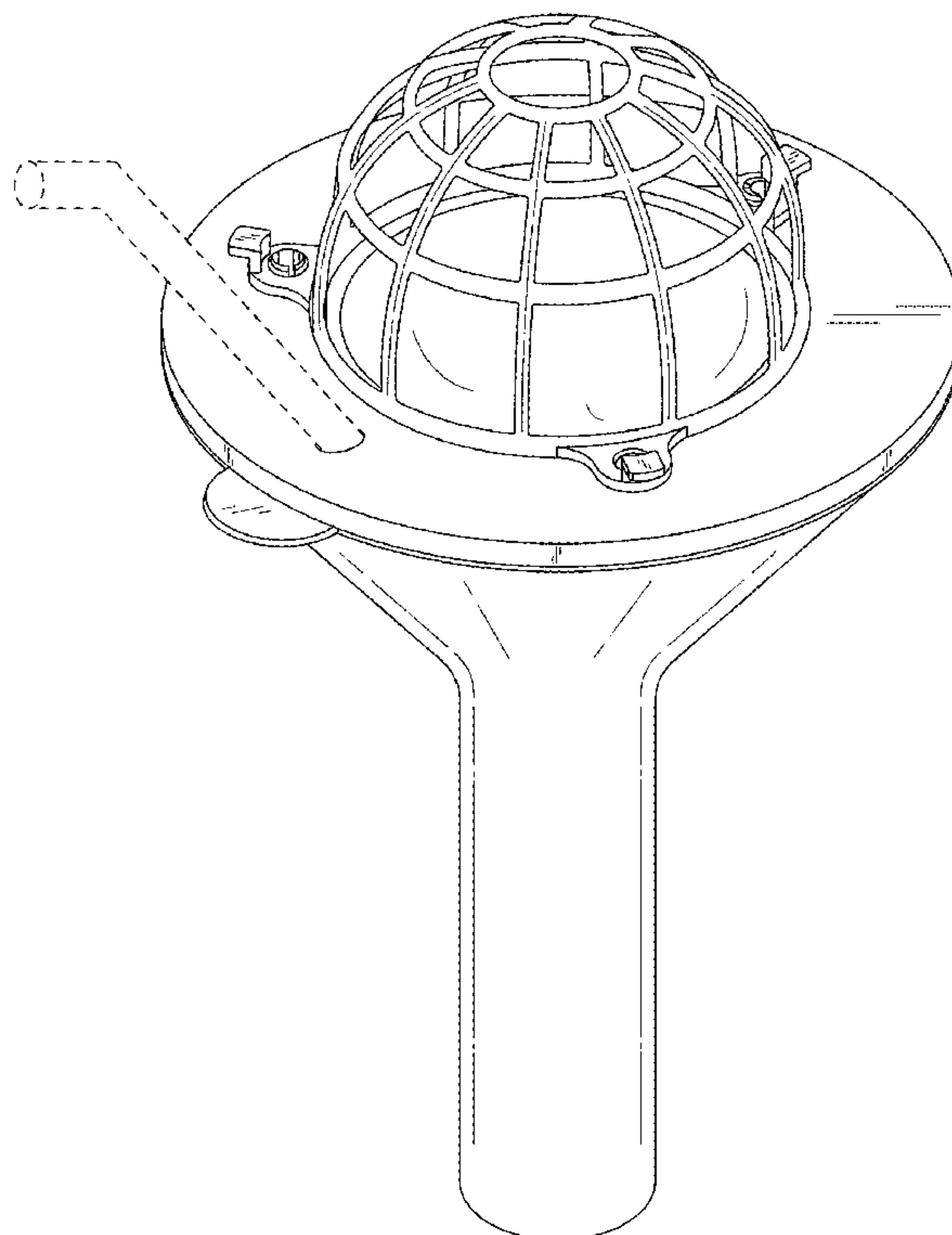
(57) **CLAIM**

I claim the ornamental design for a drinking vessel, as shown and described.

DESCRIPTION

FIG. 1 is a top perspective view of a drinking vessel showing my new design;
FIG. 2 is a bottom perspective view thereof;
FIG. 3 is a front view thereof;
FIG. 4 is a rear view thereof;
FIG. 5 is a left side view thereof;
FIG. 6 is a right side view thereof;
FIG. 7 is a top view thereof;
FIG. 8 is a bottom view thereof; and,
FIG. 9 is a rear perspective view thereof in use condition.
The broken lines in the figures illustrate the portions of the design that form no part of the claimed design.

1 Claim, 9 Drawing Sheets



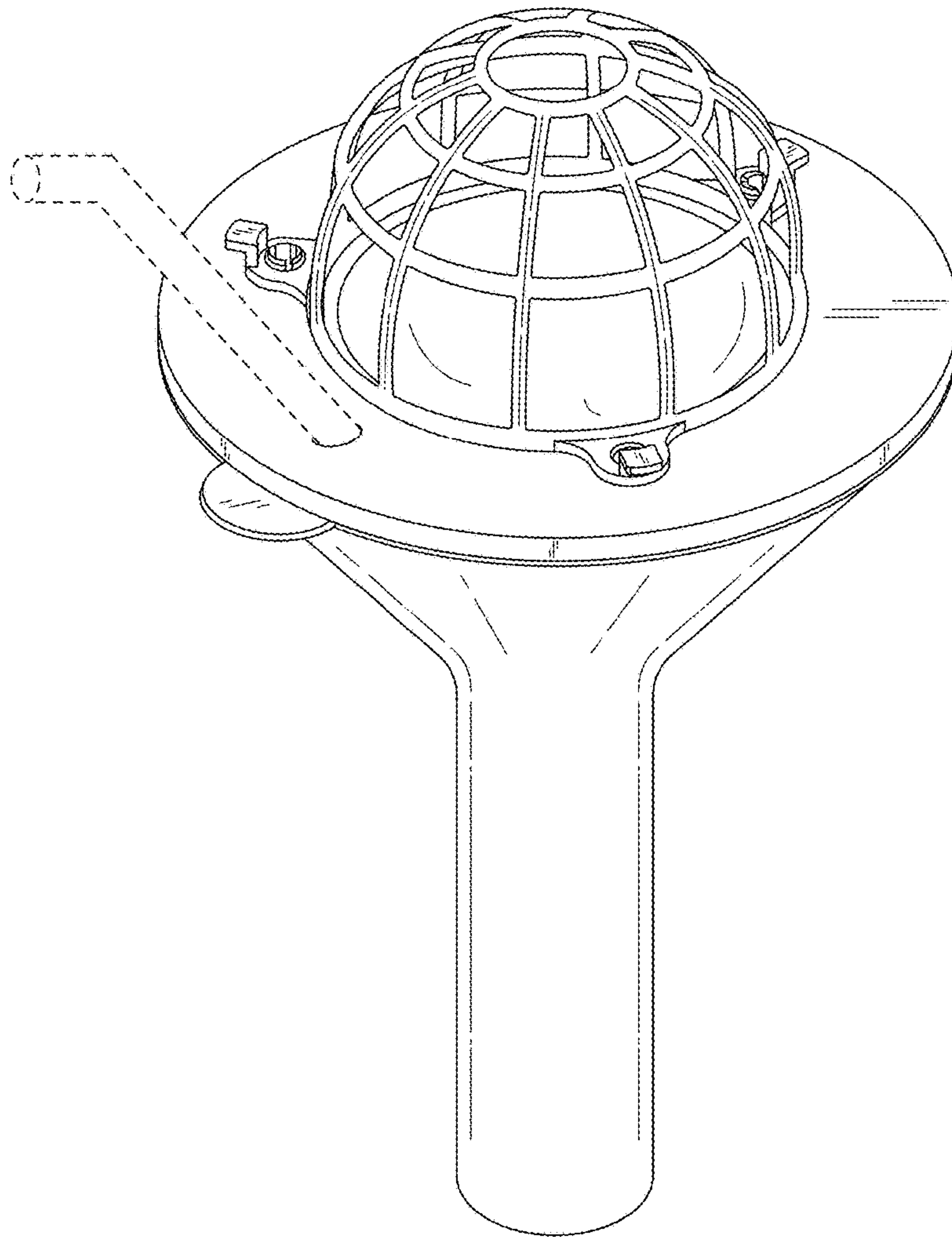


FIG. 1

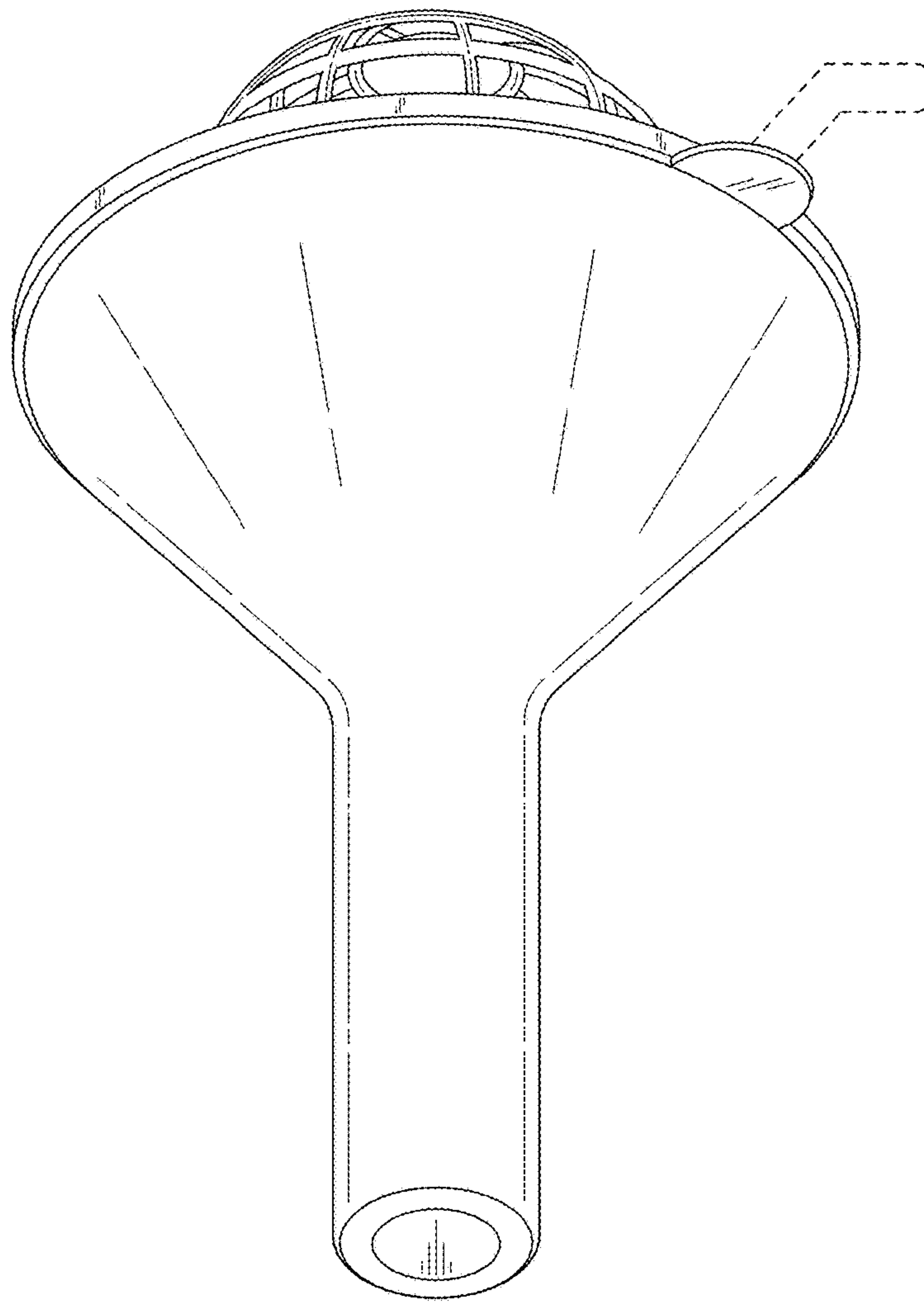


FIG. 2

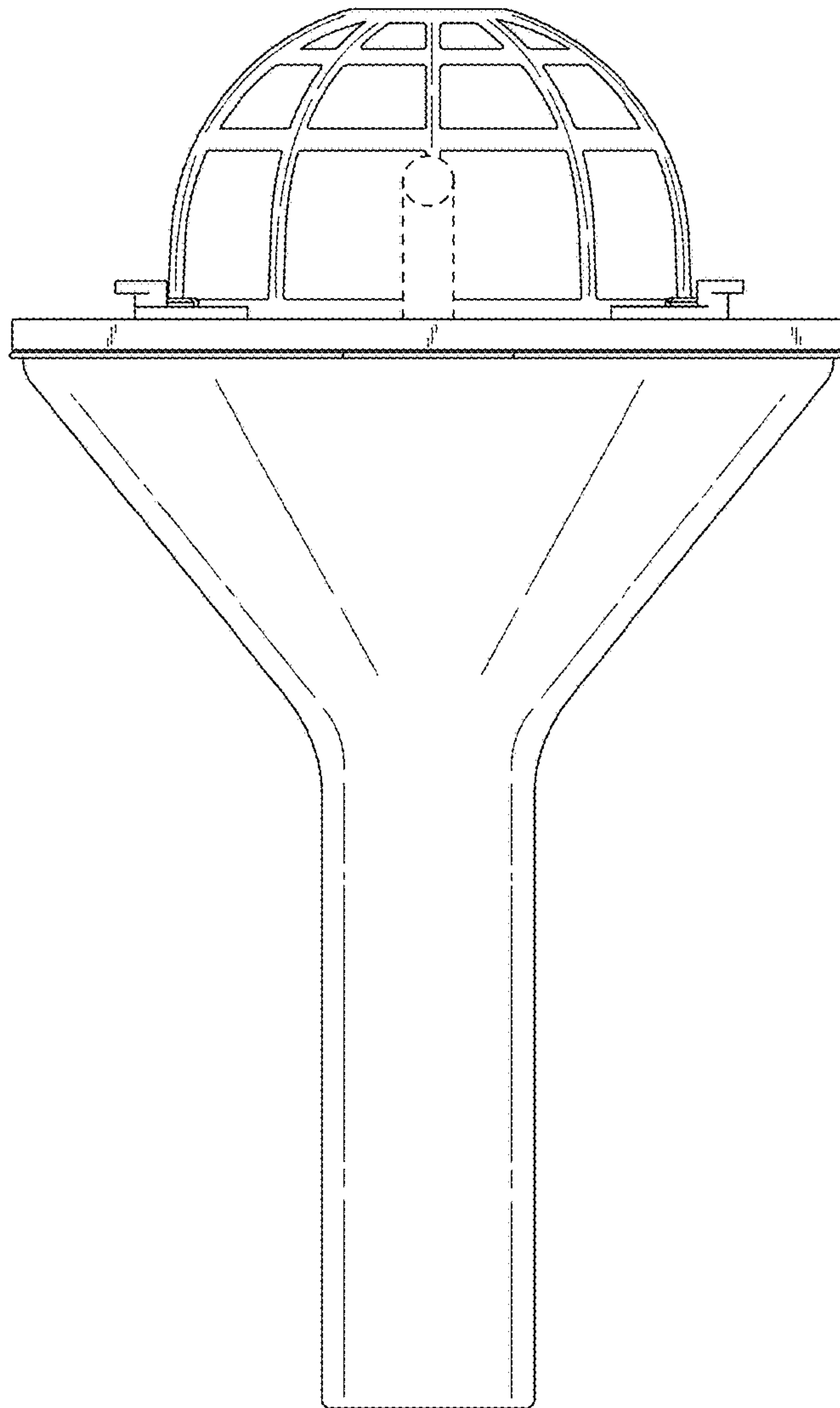


FIG. 3

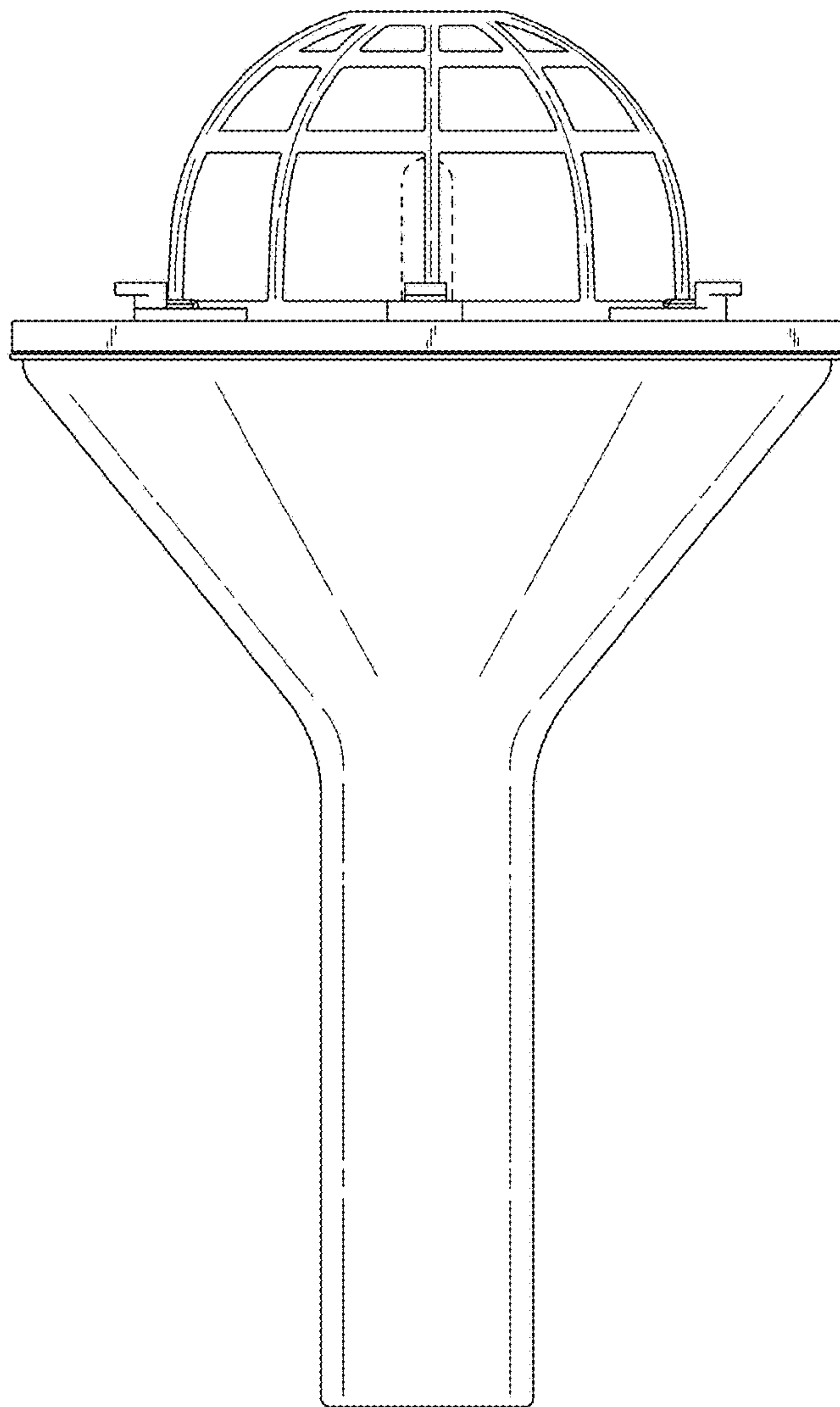


FIG. 4

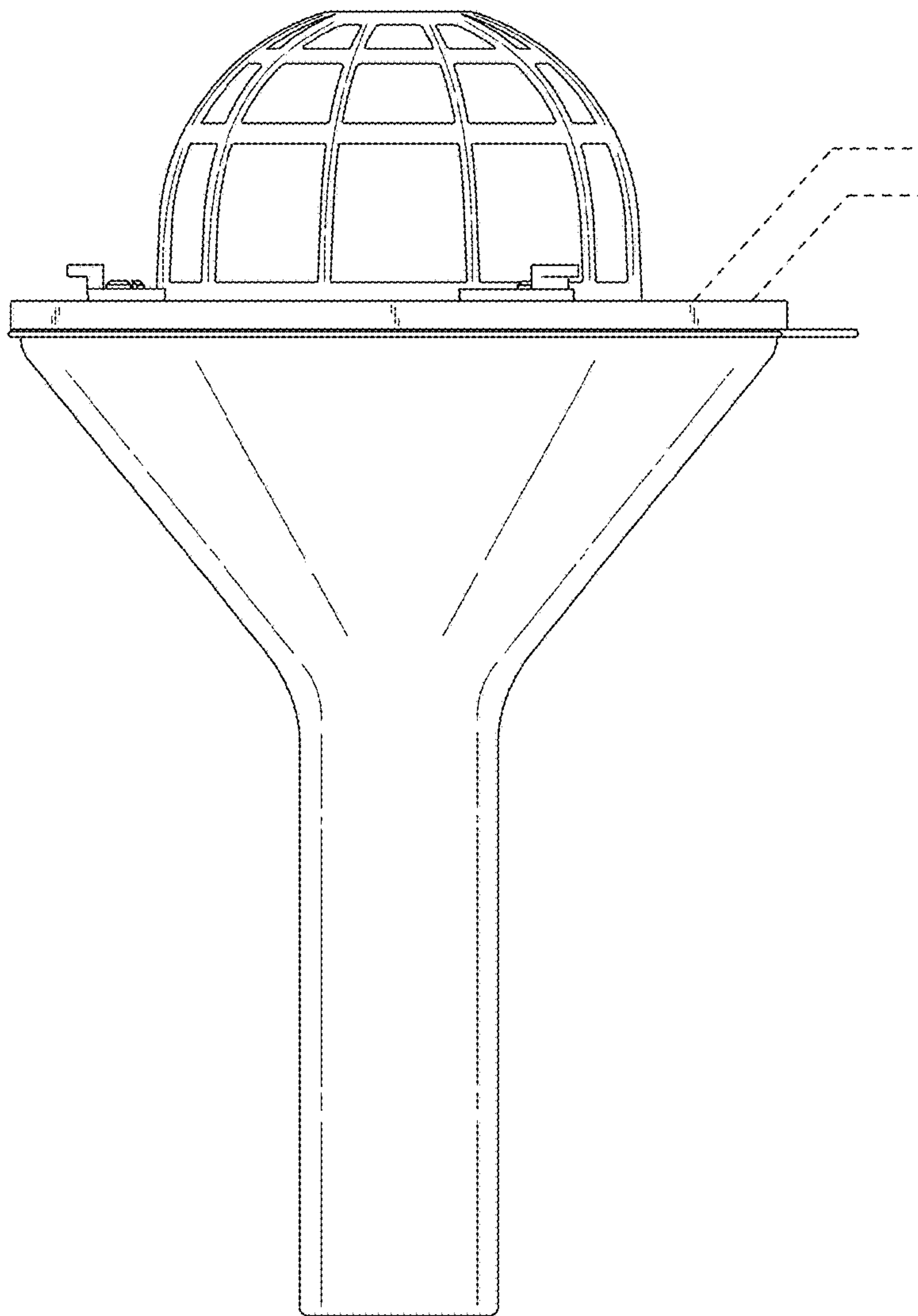


FIG. 5

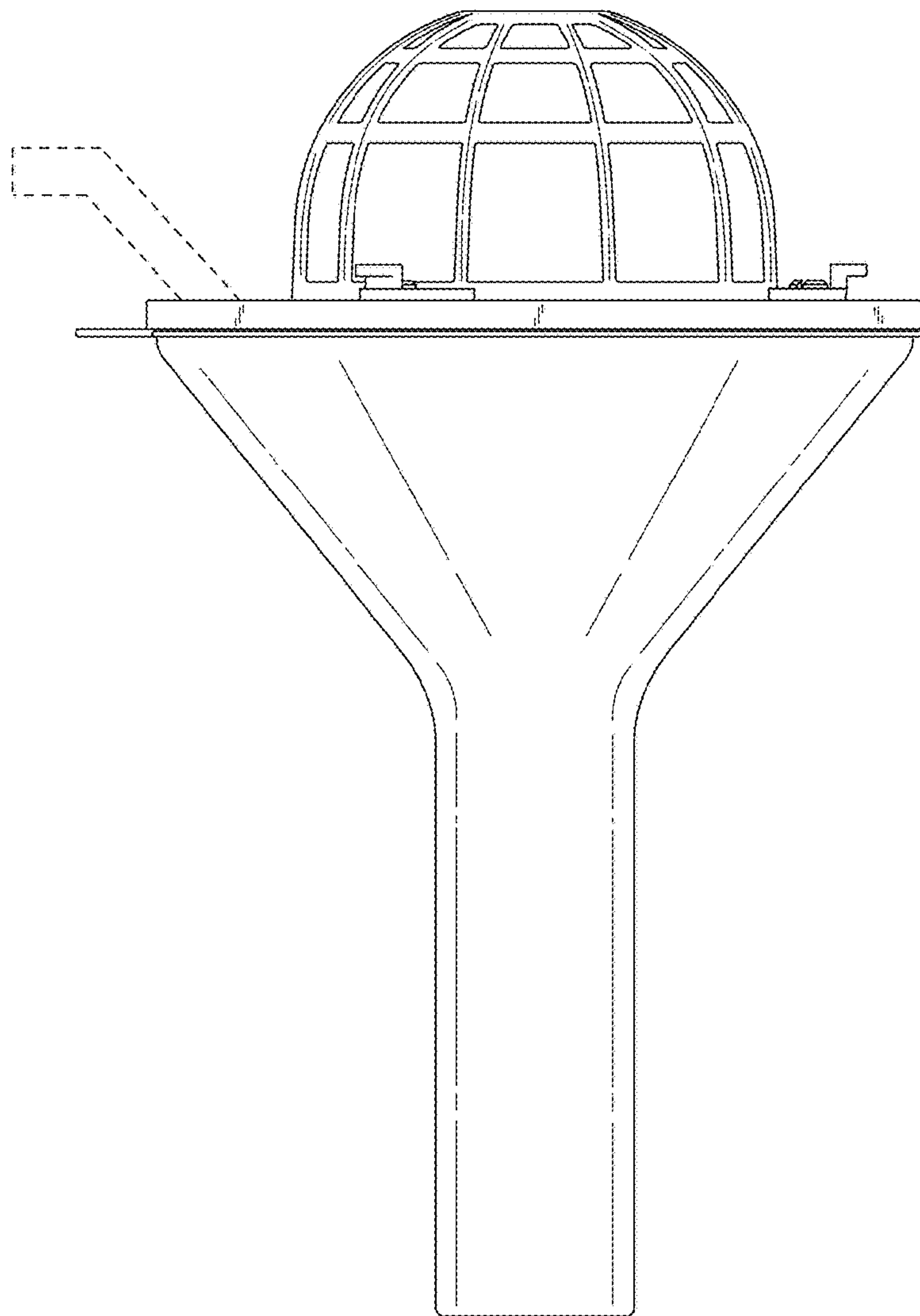


FIG. 6

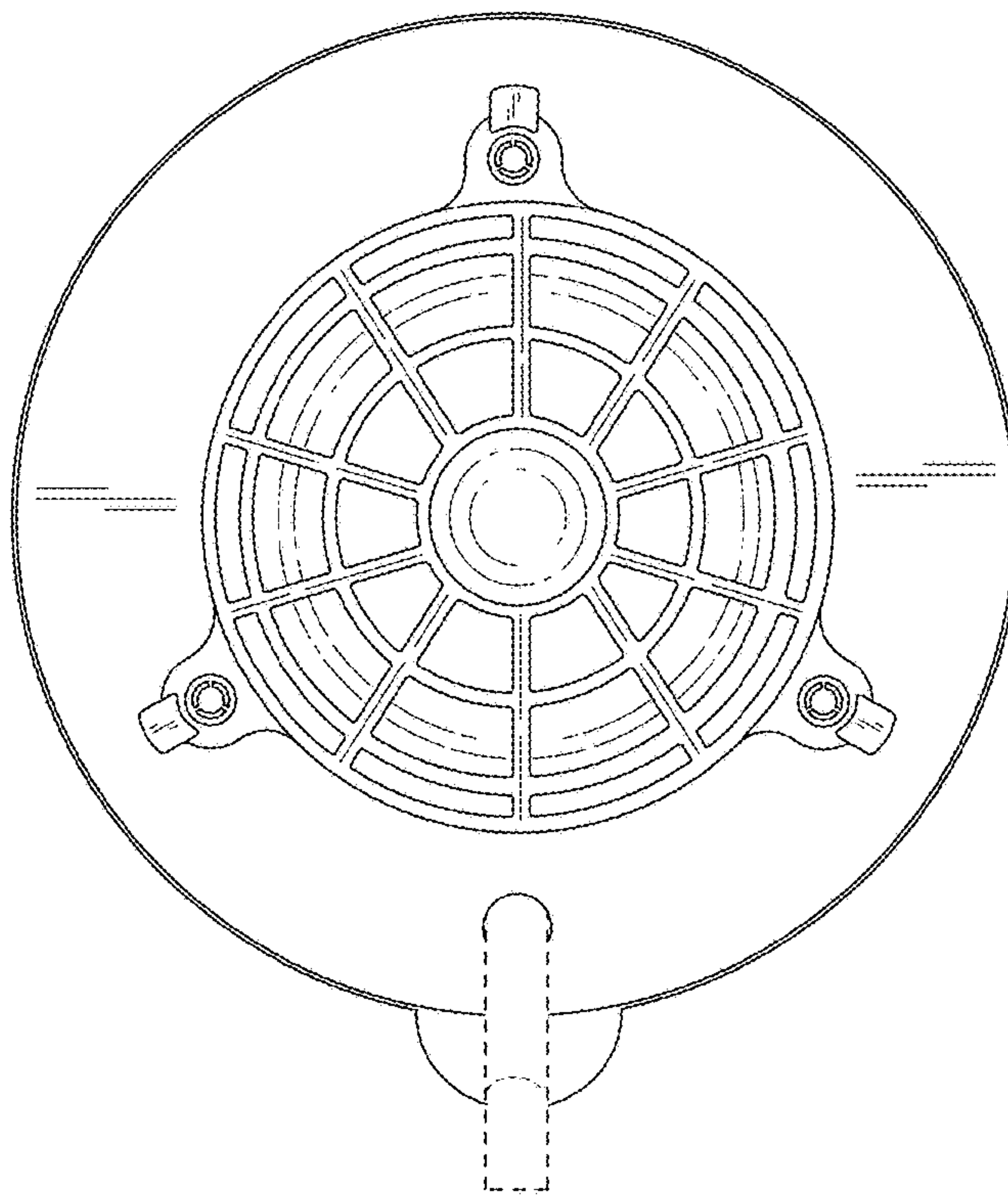


FIG. 7

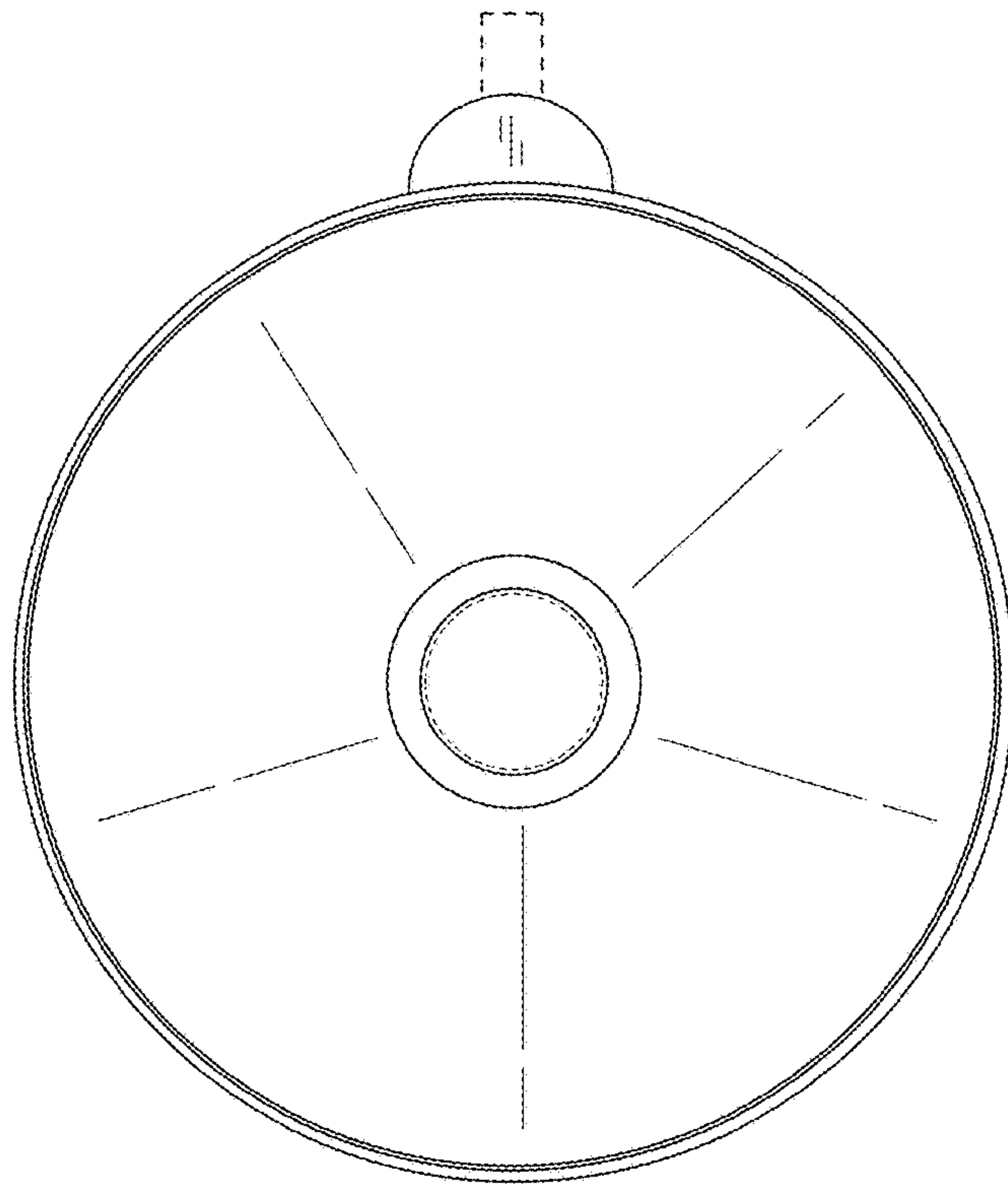


FIG. 8

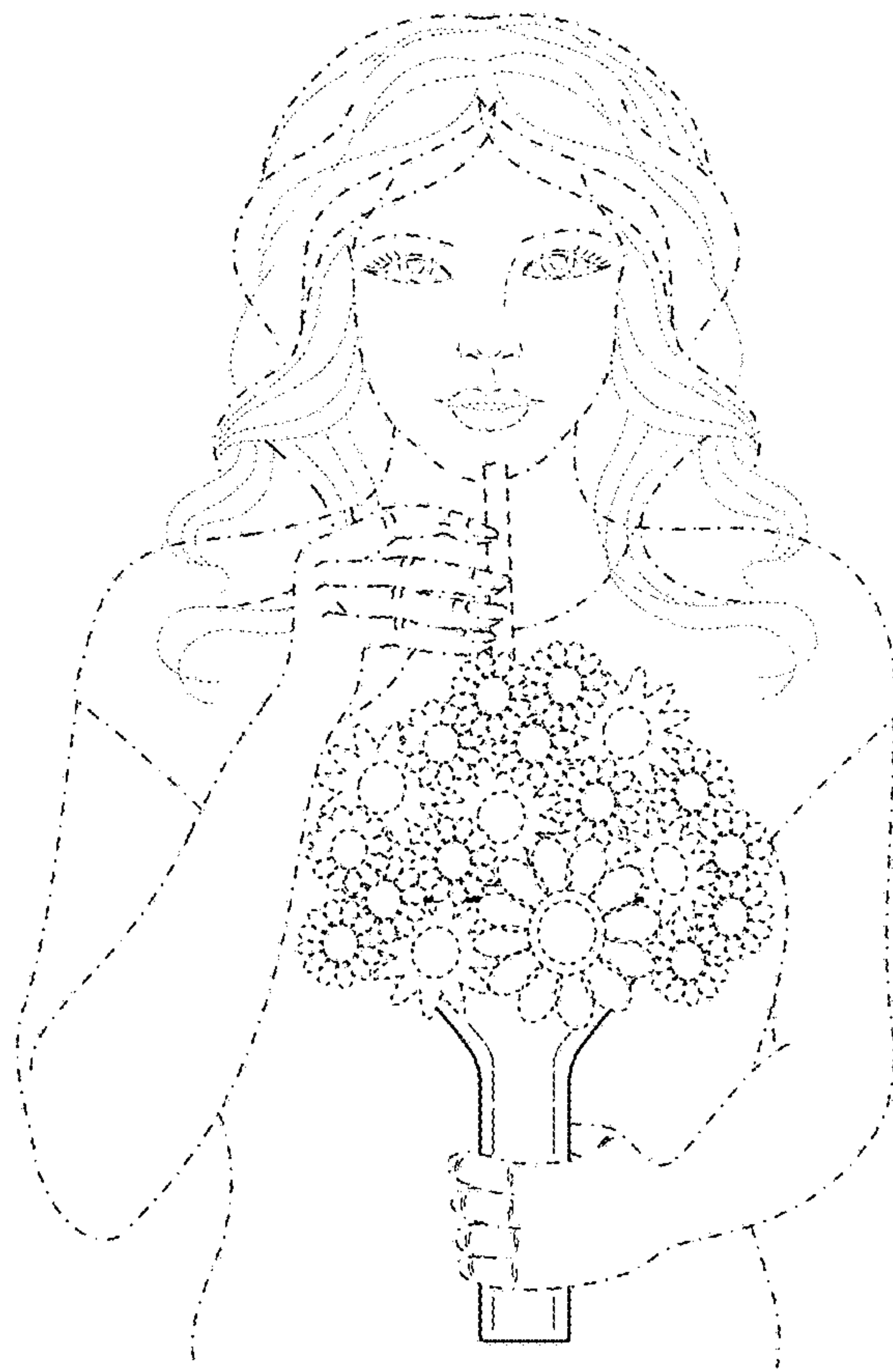


FIG. 9