



US00D860729S

(12) **United States Design Patent** (10) **Patent No.:** **US D860,729 S**
Shen (45) **Date of Patent:** **** Sep. 24, 2019**

(54) **HELICALLY COLLAPSIBLE BOTTLE**

(71) Applicant: **Yang Shen**, Emeryville, CA (US)

(72) Inventor: **Yang Shen**, Emeryville, CA (US)

(**) Term: **15 Years**

(21) Appl. No.: **29/605,893**

(22) Filed: **May 31, 2017**

(51) **LOC (12) Cl.** **07-01**

(52) **U.S. Cl.**

USPC **D7/512**

(58) **Field of Classification Search**

USPC D7/509-512, 529, 523, 532; D9/549,
D9/552, 565, 502, 500

CPC A45F 3/16; A45F 3/20; B65D 1/02; B65D
1/0292; B65D 23/00; B65D 47/66; A47G
2019/2277

See application file for complete search history.

(56) **References Cited**

U.S. PATENT DOCUMENTS

RE36,377 E	*	11/1999	Gilbert	B65D 23/00 215/382
D447,422 S	*	9/2001	Peek	D9/552
D483,225 S	*	12/2003	Gain	D7/512
D486,036 S	*	2/2004	Chuang	D7/509
D618,110 S	*	6/2010	Arnell	D9/537
D658,008 S	*	4/2012	Wahl	D7/510
D710,650 S	*	8/2014	Blum	D7/510

D739,757 S	*	9/2015	Newton	D9/520
D739,758 S	*	9/2015	Kissinger	D9/552
D756,705 S	*	5/2016	Abrams	D7/510
9,969,521 B2	*	5/2018	Shen	B65D 1/0292

OTHER PUBLICATIONS

Helical Water Bottle posted at www.dhgate.com © 2004-2018 [online], [site visited Jul. 3, 2018]. Available from Internet, <URL:<https://www.dhgate.com/store/product/collapsible-sports-travel-water-bottle-18oz/404132783.html>>.*

* cited by examiner

Primary Examiner — Derrick E Holland

Assistant Examiner — Andrew Kerr

(74) *Attorney, Agent, or Firm* — WHS Law Firm

(57) **CLAIM**

The ornamental design for a helically collapsible bottle, as shown and described.

DESCRIPTION

FIG. 1 is a perspective view of a helically collapsible bottle, showing my new design;

FIG. 2 is a front view thereof;

FIG. 3 is a left-side view thereof;

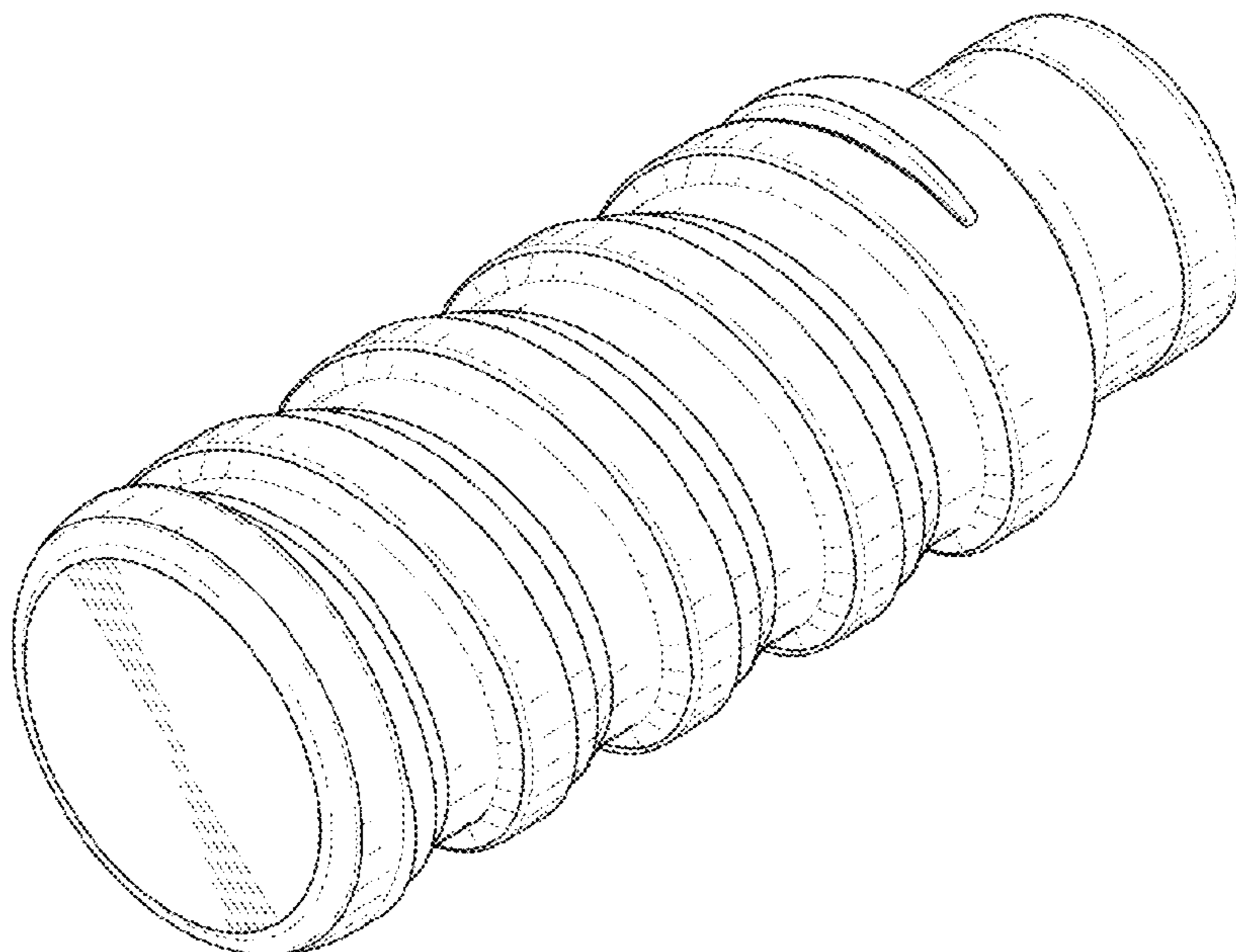
FIG. 4 is a right-side view thereof;

FIG. 5 is a back view thereof;

FIG. 6 is a top view thereof; and,

FIG. 7 is a bottom view thereof.

1 Claim, 6 Drawing Sheets



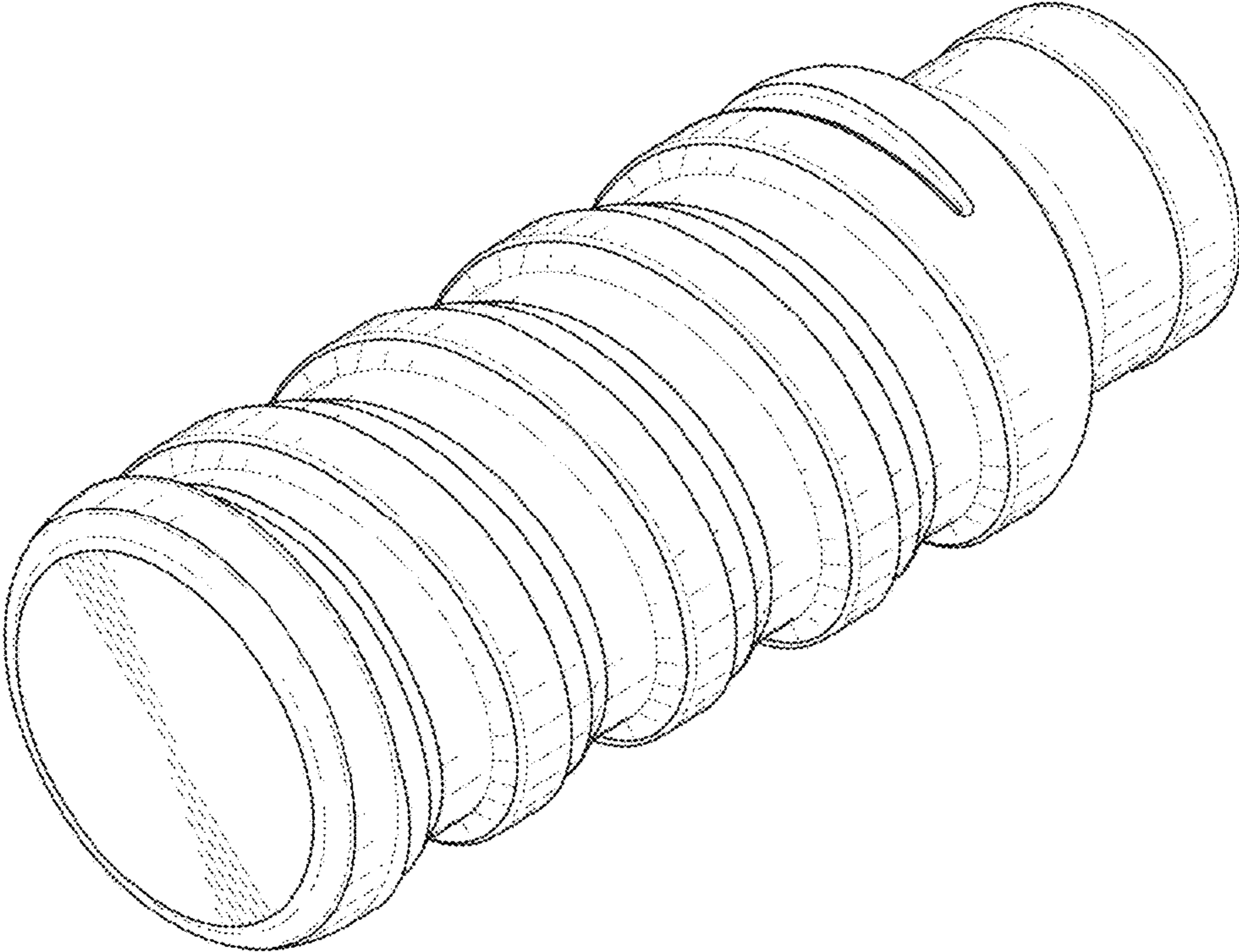


FIG. 1

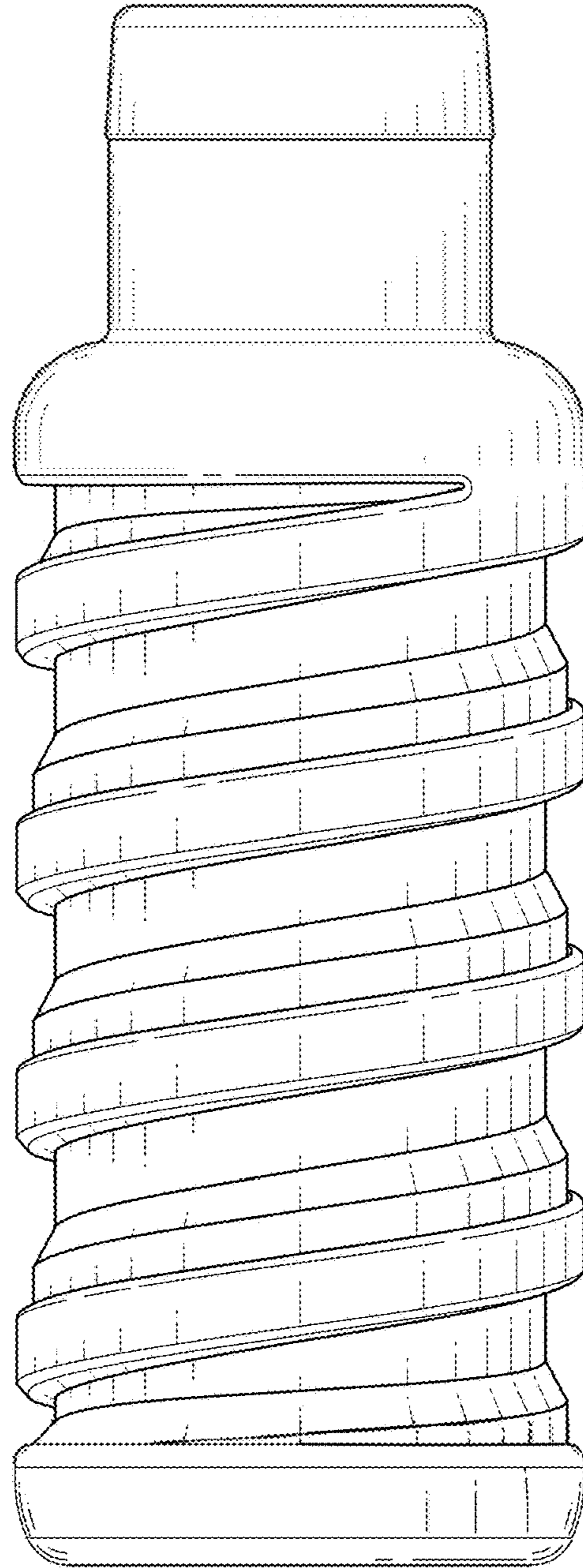


FIG. 2

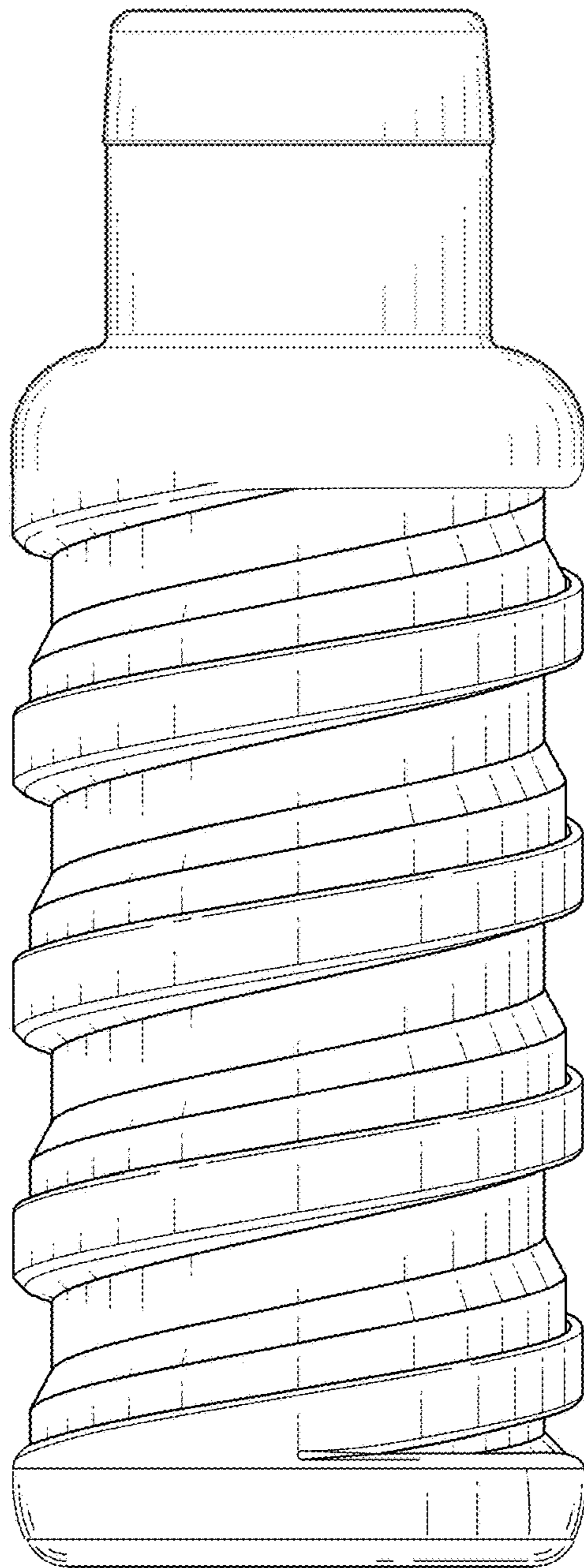


FIG. 3

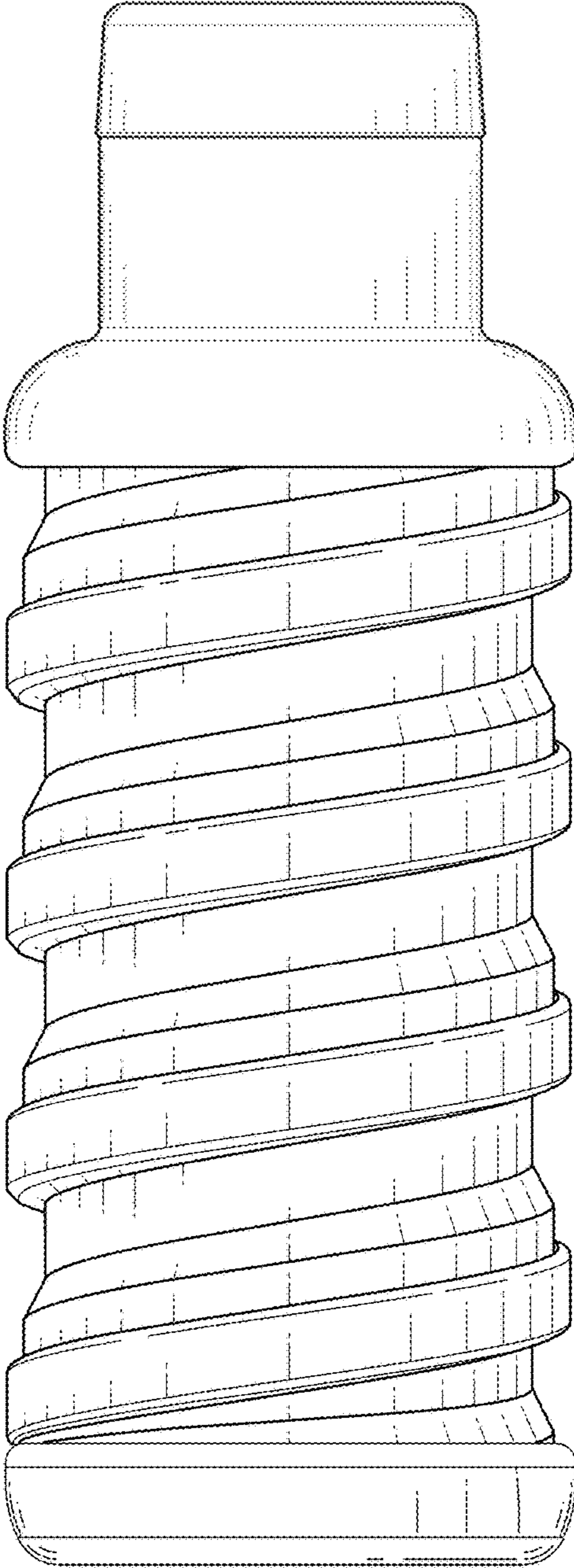


FIG. 4

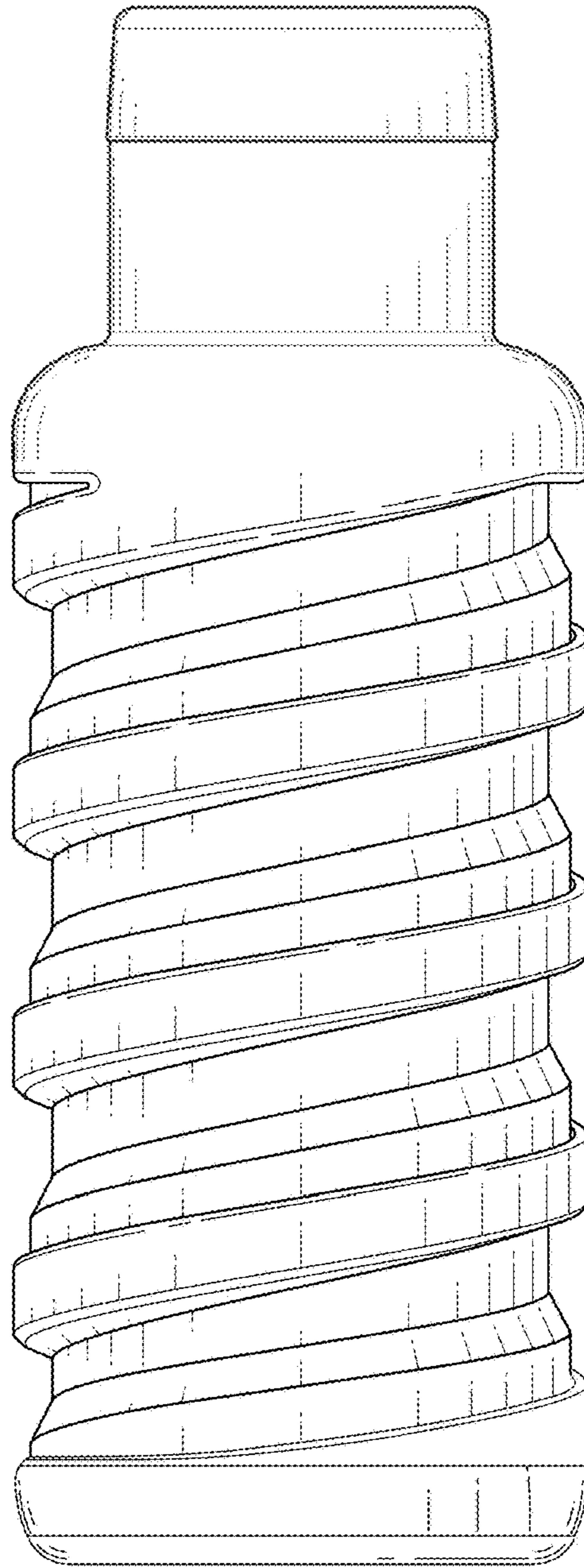


FIG. 5

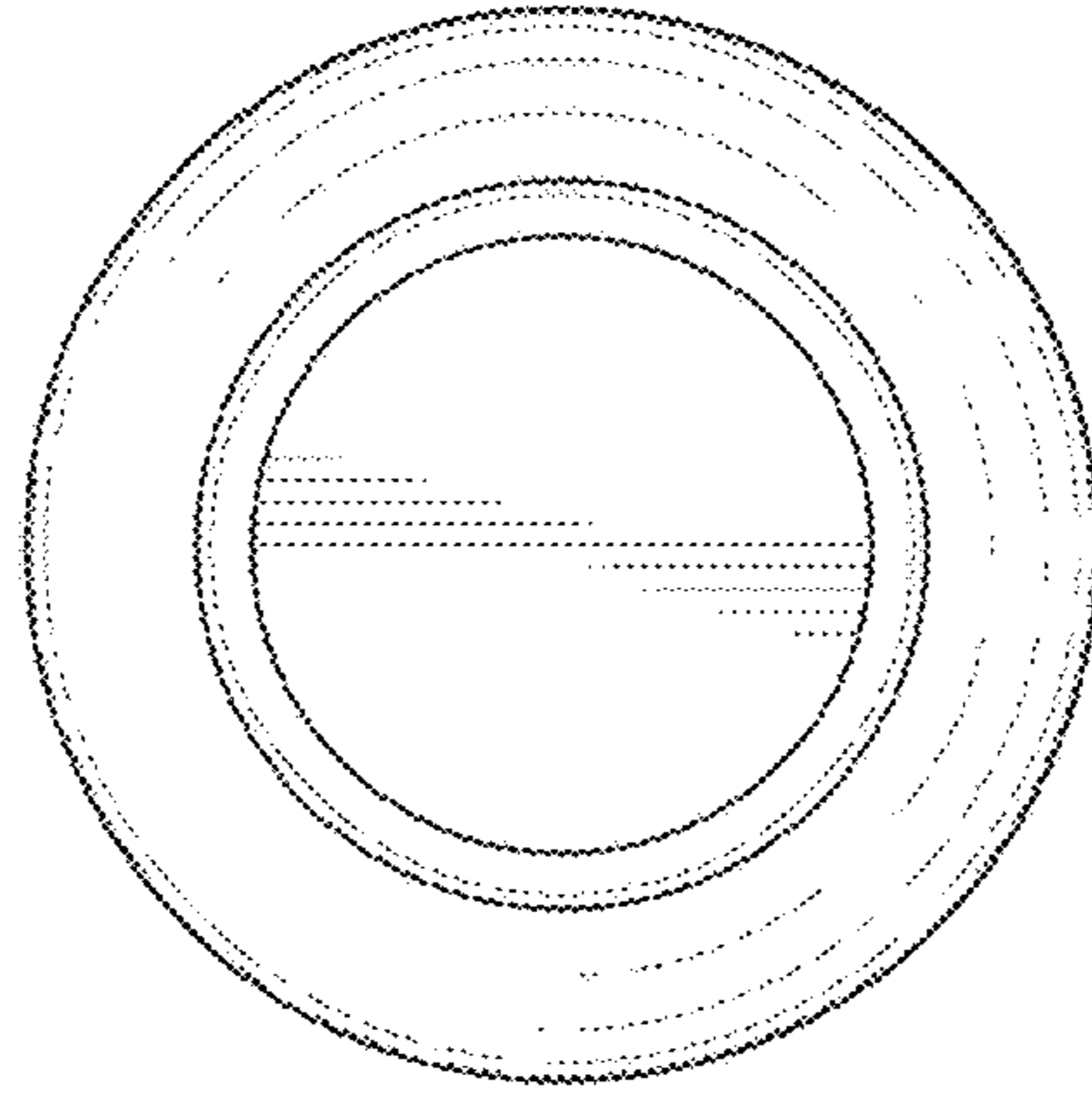


FIG. 6

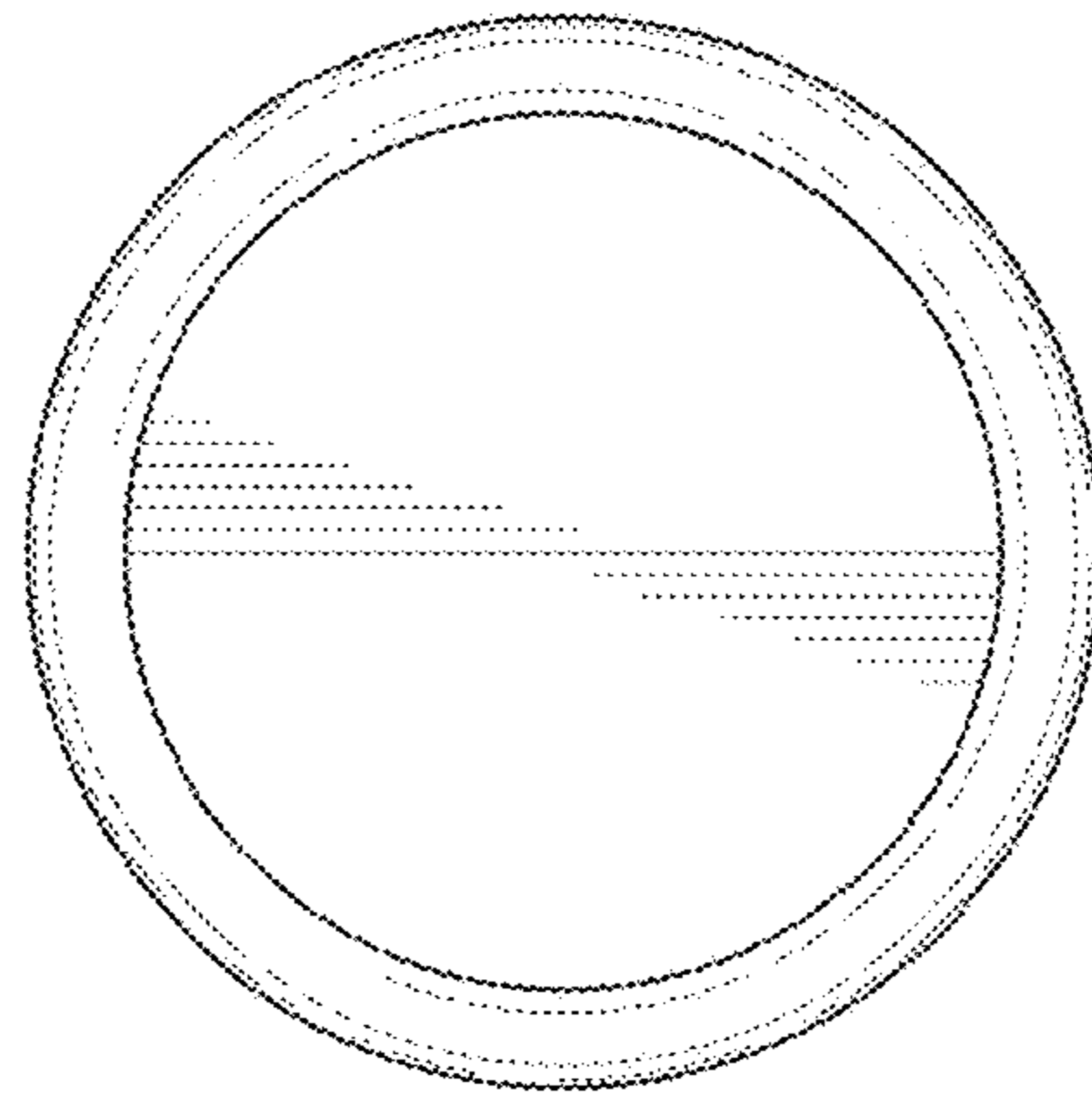


FIG. 7