

US00D860727S

(12) **United States Design Patent**
Eom

(10) **Patent No.:** **US D860,727 S**

(45) **Date of Patent:** **** Sep. 24, 2019**

(54) **GRILL**
(71) Applicant: **Mommypot**, Osan, Gyeonggi-do (KR)
(72) Inventor: **Sunhee Eom**, Gyeonggi-do (KR)
(73) Assignee: **MOMMYPOT**, Osan, Gyeonggi-Do (KR)

(**) Term: **15 Years**

(21) Appl. No.: **29/653,856**

(22) Filed: **Jun. 19, 2018**

(51) **LOC (12) Cl.** **07-02**

(52) **U.S. Cl.**
USPC **D7/409**; D7/354; D7/359; D7/361

(58) **Field of Classification Search**
USPC D7/323, 332, 335-337, 354-355,
D7/359-364, 387-388, 402, 407-409
CPC A21B 2/00; A21B 3/00; A21B 3/13; A21B
3/15; A21B 5/00; A21B 5/02; A23N
12/06; A23N 12/08; A23N 12/10; A47J
27/002; A47J 37/00; A47J 37/04; A47J
37/041; A47J 37/042; A47J 37/06; A47J
37/0688; A47J 37/0694; A47J 37/07;
A47J 37/0704; A47J 37/10; A47J 47/20;
A47J 2037/00; A47J 2037/06; A47J
2037/0611; A47J 2037/07; A47J
2037/0786; A47J 2037/0795; B65D 7/22;
F24C 15/10; F24C 15/12; F24C 15/14;
F24C 15/16; F24C 15/164; F24C 15/18
See application file for complete search history.

(56) **References Cited**

U.S. PATENT DOCUMENTS

D85,804 S * 12/1931 Axford D7/359
3,717,478 A * 2/1973 Lipfert B65D 7/22
426/109

D296,409 S * 6/1988 Pomroy D7/359
D373,285 S * 9/1996 Coroama D7/359
D525,078 S * 7/2006 Hoenstein D7/359
D528,354 S * 9/2006 Lin D7/361
D717,586 S * 11/2014 Whitehead D7/354
D761,614 S * 7/2016 Zemel D7/354
D764,858 S * 8/2016 Whitehead D7/354
D779,871 S * 2/2017 Zemel D7/354
D796,252 S * 9/2017 Gabbay D7/354
2011/0041708 A1 * 2/2011 Groll A47J 27/002
99/422
2012/0055346 A1 * 3/2012 Navare A47J 37/10
99/445

* cited by examiner

Primary Examiner — Ricky Pham

(74) *Attorney, Agent, or Firm* — Lucas & Mercanti, LLP

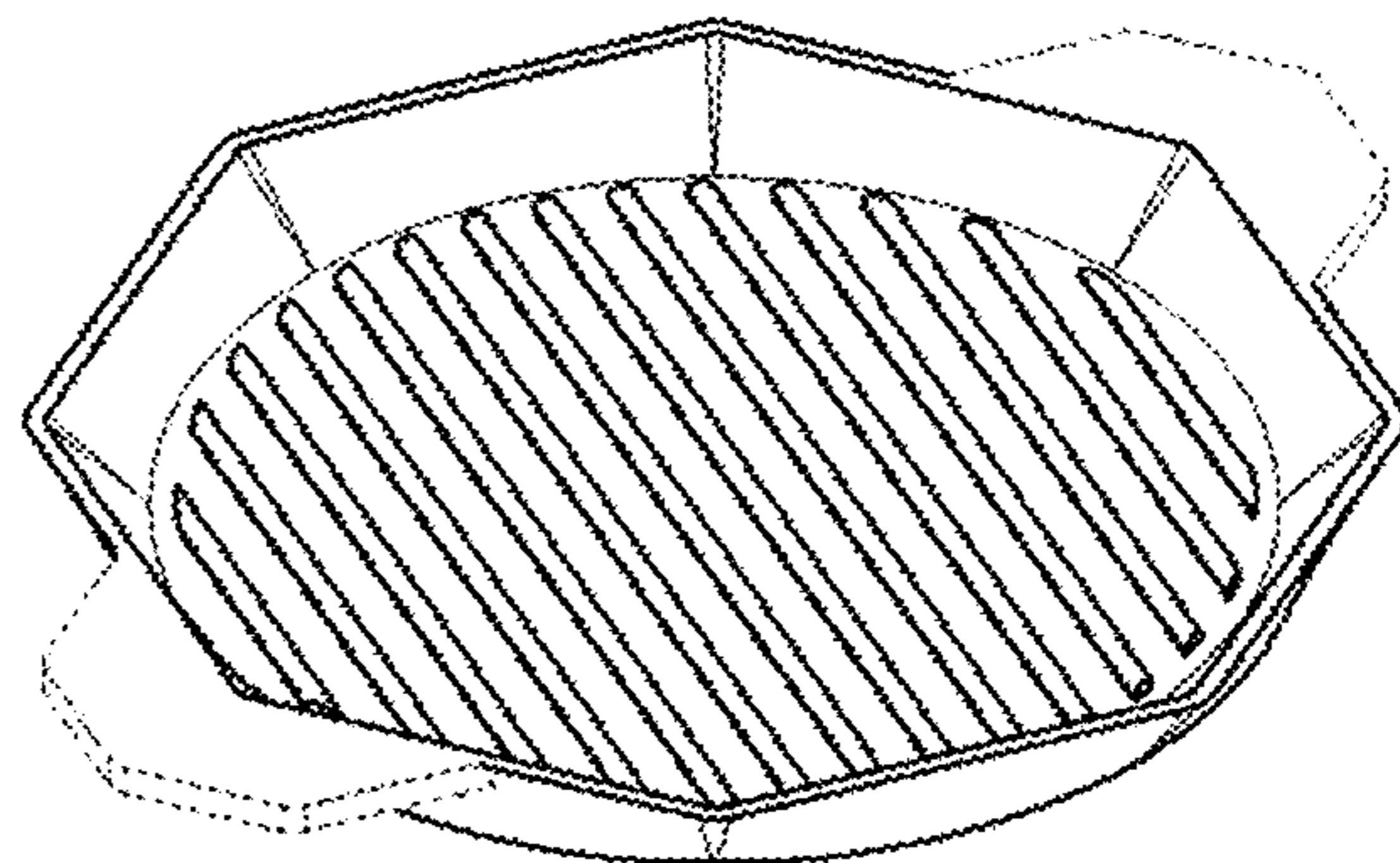
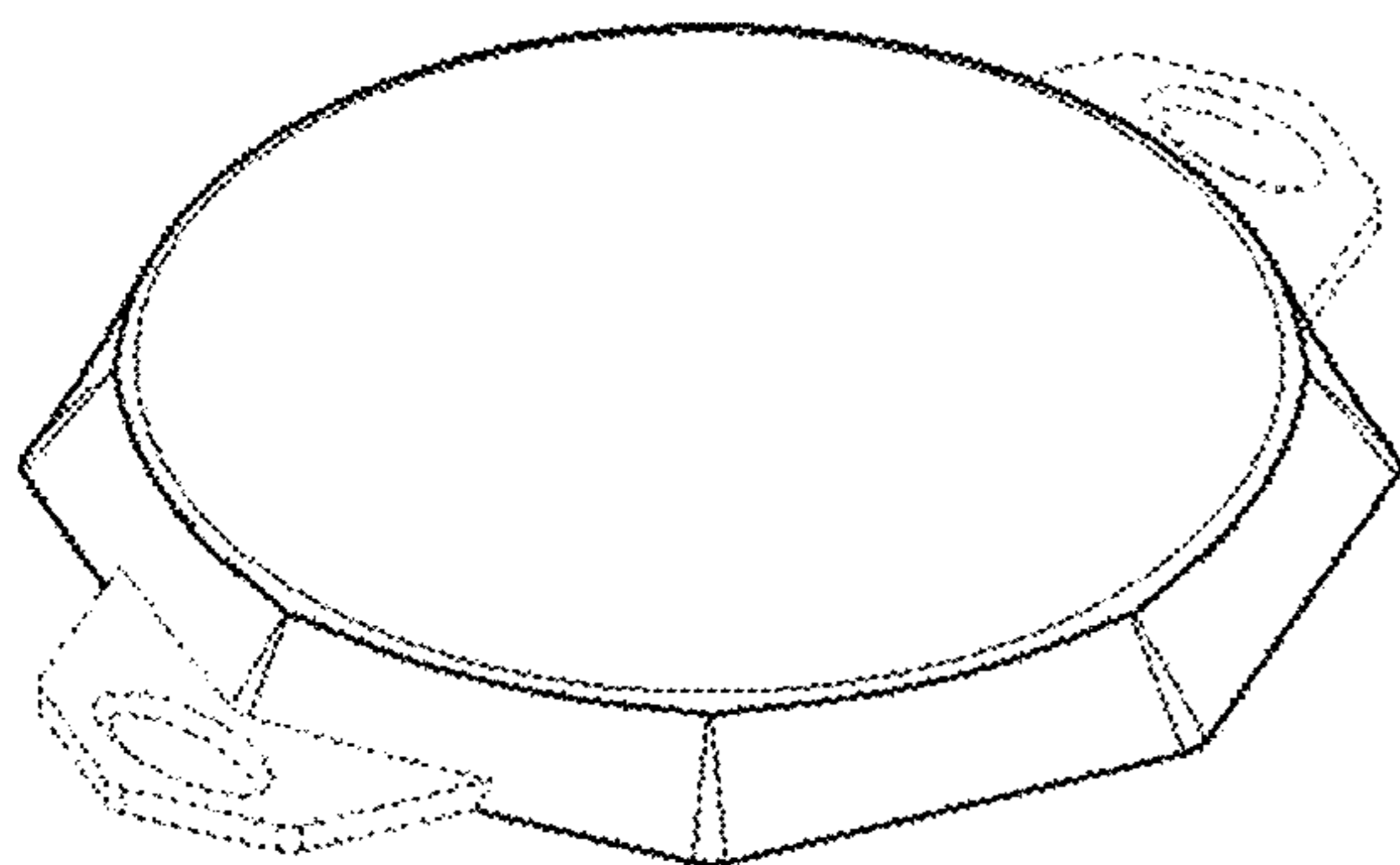
(57) **CLAIM**

The ornamental design for a grill, as shown and described.

DESCRIPTION

FIG. 1 is a bottom perspective view of the grill showing my new design;
FIG. 2 is a top perspective view thereof;
FIG. 3 is a right side view thereof;
FIG. 4 is a front view thereof;
FIG. 5 is a back view of thereof;
FIG. 6 is a bottom view thereof;
FIG. 7 is a left side view; and,
FIG. 8 is a top view thereof.
The broken lines claim no part of the claimed design.

1 Claim, 8 Drawing Sheets



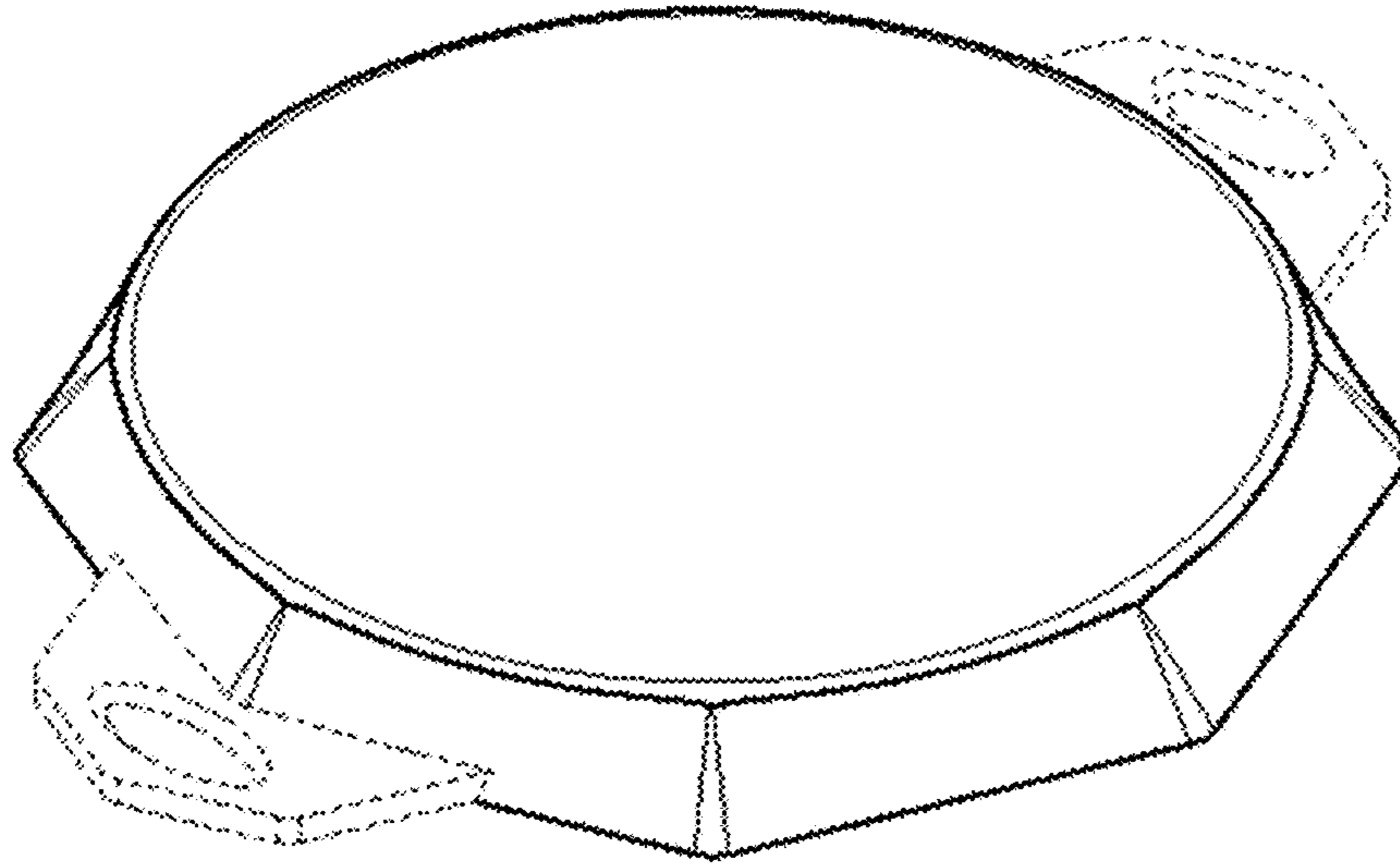


FIG. 1

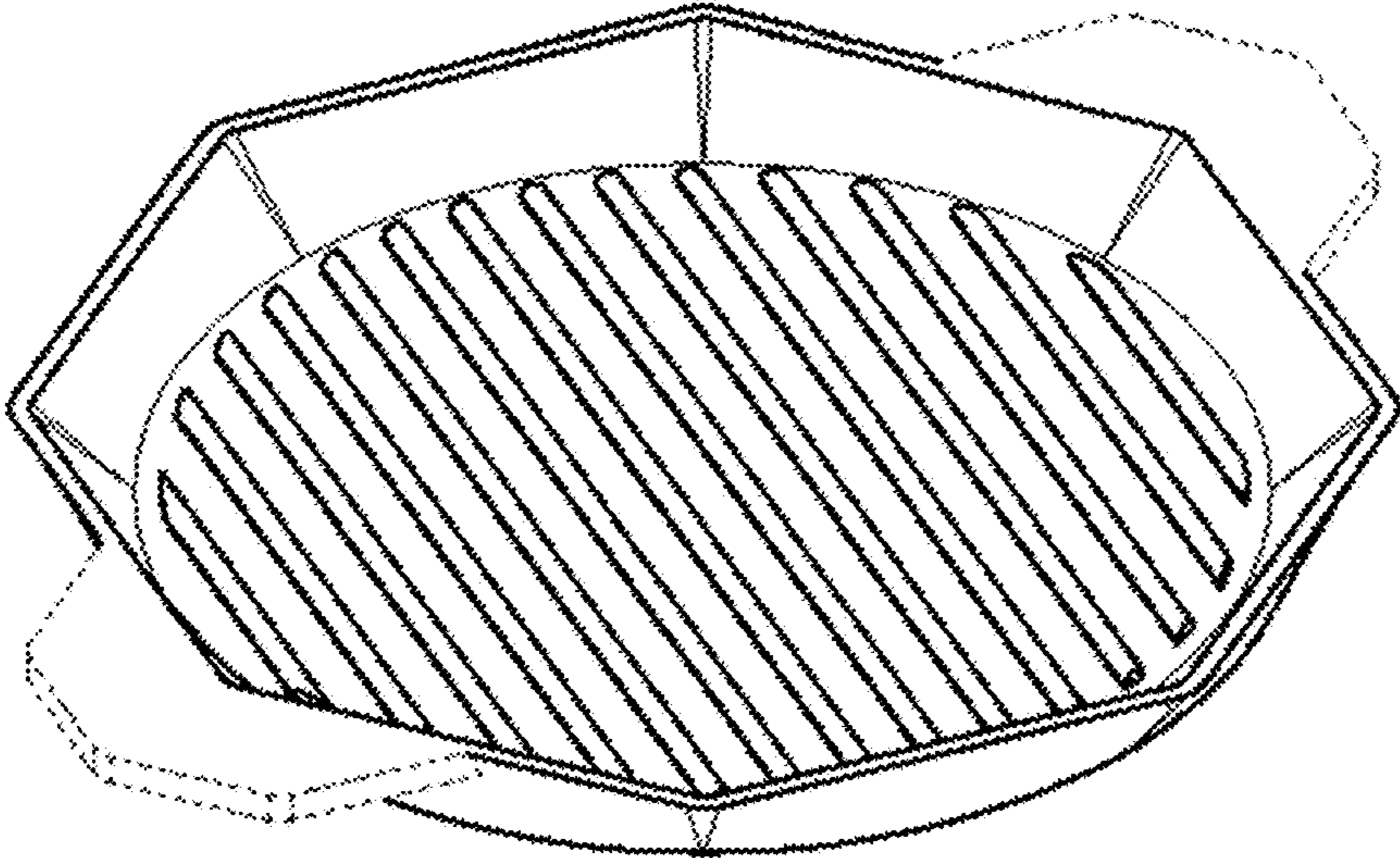


FIG. 2

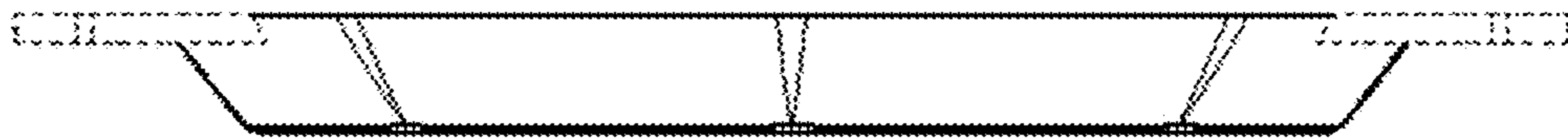


FIG. 3



FIG. 4



FIG. 5

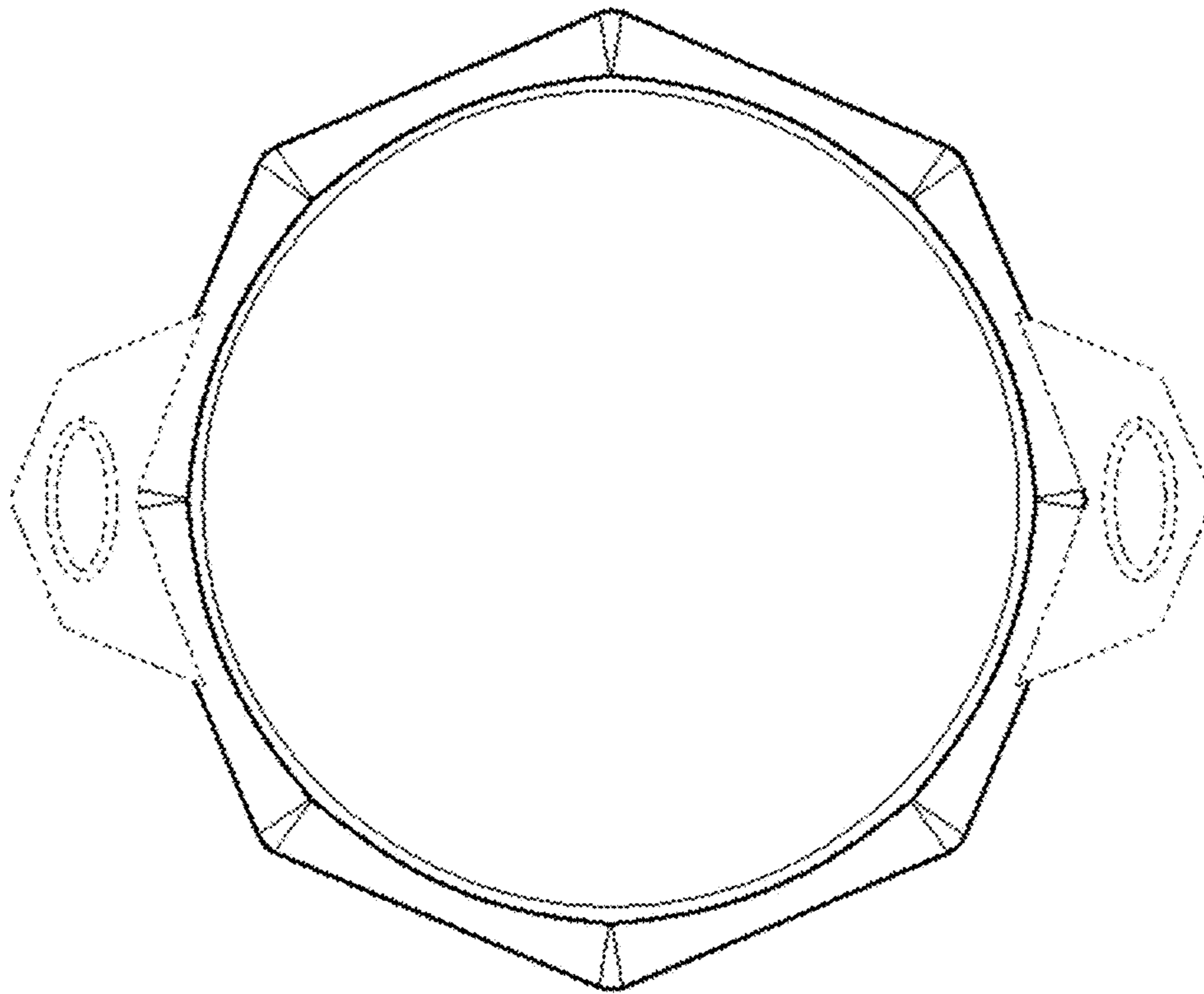


FIG. 6



FIG. 7

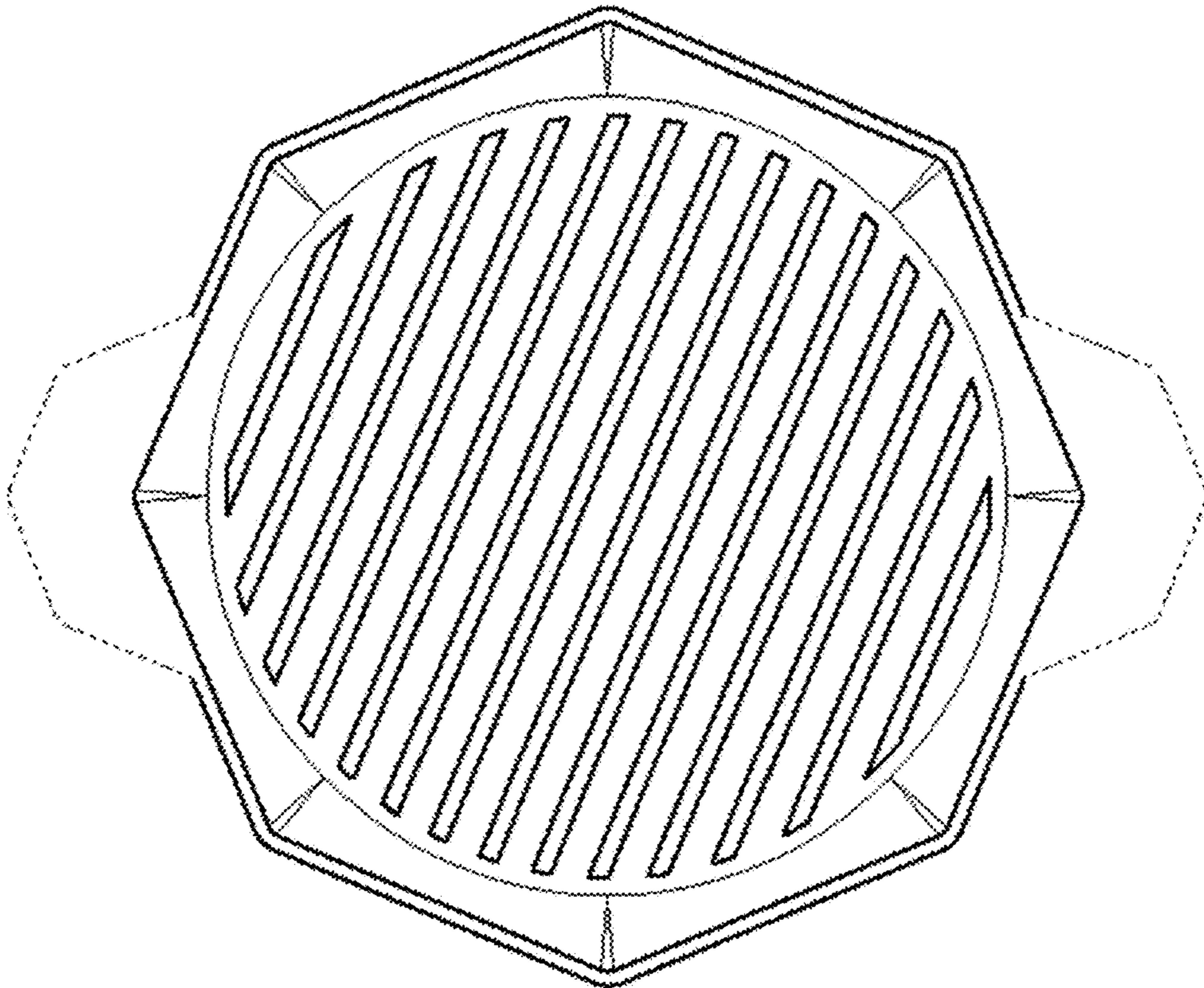


FIG. 8