



US00D860725S

(12) **United States Design Patent** (10) **Patent No.:** **US D860,725 S**
Mirchandani et al. (45) **Date of Patent:** **** *Sep. 24, 2019**

(54) **COOKING APPARATUS**

FOREIGN PATENT DOCUMENTS

(71) Applicant: **Tristar Products, Inc.**, Fairfield, NJ (US)

CA 99505 A 6/1906
CN 203776009 U 8/2014

(Continued)

(72) Inventors: **Keith Mirchandani**, Fairfield, NJ (US);
Paul McGrath, Flanders, NJ (US);
James Mitrik, Long Pond, PA (US);
Alejandro G. Lozano, Guttenberg, NJ (US)

Primary Examiner — Ricky Pham

(74) *Attorney, Agent, or Firm* — Bakos & Kritzer

(*) Notice: This patent is subject to a terminal disclaimer.

(57) **CLAIM**

The ornamental design for a cooking apparatus, as shown and described.

(**) Term: **15 Years**

DESCRIPTION

(21) Appl. No.: **29/596,497**

(22) Filed: **Mar. 8, 2017**

Related U.S. Application Data

(63) Continuation-in-part of application No. 29/595,954, filed on Mar. 3, 2017, now Pat. No. Des. 801,104, and (Continued)

(51) **LOC (12) Cl.** **07-02**

(52) **U.S. Cl.**
USPC **D7/409; D7/354; D7/359**

(58) **Field of Classification Search**
USPC D7/323, 332, 335-337, 354-355, D7/359-364, 387-388, 402, 407-409, D7/552.1, 629

(Continued)

(56) **References Cited**

U.S. PATENT DOCUMENTS

1,671,450 A 5/1928 Ross
3,199,438 A * 8/1965 Myler A47J 37/041
248/175

(Continued)

The patent or application file contains at least one drawing executed in color. Copies of this patent or patent application publication with color drawing(s) will be provided by the Office upon request and payment of the necessary fee.

FIG. 1 is a top perspective view of a first embodiment of a cooking apparatus in accordance with the subject disclosure. FIG. 2 is a left side view of the cooking apparatus of FIG. 1.

FIG. 3 is a right side view of the cooking apparatus of FIG. 1.

FIG. 4 is a front view of the cooking apparatus of FIG. 1.

FIG. 5 is a rear view of the cooking apparatus of FIG. 1.

FIG. 6 is a top view of the cooking apparatus of FIG. 1.

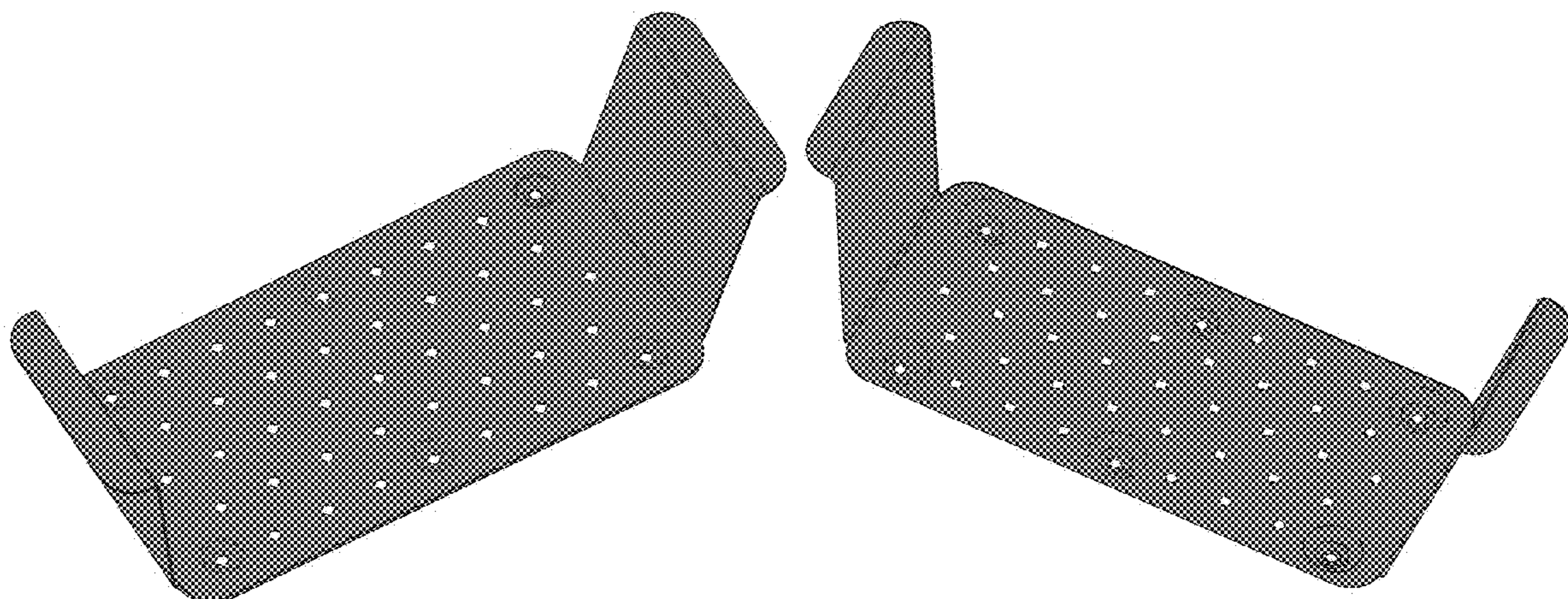
FIG. 7 is a bottom view of the cooking apparatus of FIG. 1.

FIG. 8 is another top perspective view of the cooking apparatus of FIG. 1; and,

FIG. 9 is a bottom perspective view of the cooking apparatus of FIG. 1.

The broken line showings are included for the purpose of illustrating portions of the invention and form no part of the claimed design.

1 Claim, 9 Drawing Sheets
(9 of 9 Drawing Sheet(s) Filed in Color)



Related U.S. Application Data

a continuation-in-part of application No. 29/595,957, filed on Mar. 3, 2017, now Pat. No. Des. 816,387, and a continuation-in-part of application No. 29/595,961, filed on Mar. 3, 2017, now Pat. No. Des. 816,404, and a continuation-in-part of application No. 29/595,966, filed on Mar. 3, 2017, now Pat. No. Des. 830,099, and a continuation-in-part of application No. 29/595,970, filed on Mar. 3, 2017, now Pat. No. Des. 827,374, and a continuation-in-part of application No. 29/596,213, filed on Mar. 6, 2017, now Pat. No. Des. 828,710.

(58) **Field of Classification Search**

CPC A21B 2/00; A21B 3/00; A21B 3/13; A21B 3/15; A21B 5/00; A21B 5/02; A23N 12/06; A23N 12/08; A23N 12/10; A47J 36/16; A47J 37/00; A47J 37/04; A47J 37/041; A47J 37/042; A47J 37/06; A47J 37/067; A47J 37/0688; A47J 37/0694; A47J 37/07; A47J 37/0704; A47J 37/10; A47J 47/20; A47J 2037/00; A47J 2037/06; A47J 2037/0611; A47J 2037/07; A47J 2037/0786; A47J 2037/0795; F24C 15/10; F24C 15/12; F24C 15/14; F24C 15/16; F24C 15/164; F24C 15/18

See application file for complete search history.

(56)

References Cited

U.S. PATENT DOCUMENTS

4,014,451 A 3/1977 Cannon et al.
 4,106,486 A 8/1978 Lee
 4,195,747 A 4/1980 Hare
 4,865,858 A 9/1989 Petcavich
 5,400,703 A * 3/1995 Ashcom A47J 37/00
 99/400
 D384,555 S 10/1997 Bradley
 5,800,853 A 9/1998 Wang
 D418,717 S * 1/2000 Dudley D7/409

D437,180 S 2/2001 Emrich
 D445,633 S 7/2001 Bradley
 D466,758 S 12/2002 Bradley
 6,546,850 B1 4/2003 Akiyama-Warren
 D528,376 S 9/2006 Munson et al.
 D558,520 S * 1/2008 Raichlen D7/409
 D559,621 S 1/2008 Raichlen et al.
 D569,169 S 5/2008 Munson
 D584,112 S 1/2009 Ehrenhaus et al.
 D588,859 S 3/2009 Simon et al.
 D615,825 S 5/2010 Curtin
 D641,217 S 7/2011 Chen et al.
 D658,441 S * 5/2012 Borovicka A47J 37/00
 D7/354
 D684,733 S 6/2013 Altoon
 D702,499 S * 4/2014 Zemel D7/409
 D717,598 S * 11/2014 Lu D7/409
 D777,535 S 1/2017 Zemel et al.
 D815,881 S * 4/2018 Mirchandani D7/354
 D816,404 S * 5/2018 Mirchandani A47J 37/041
 D7/409
 D816,406 S * 5/2018 Mirchandani D7/409
 D827,374 S * 9/2018 Mirchandani D7/409
 D828,710 S * 9/2018 Mirchandani D7/354
 2005/0098046 A1 5/2005 Morgan
 2008/0066734 A1 * 3/2008 Bright A47J 37/067
 126/25 R
 2010/0263552 A1 10/2010 Hendrickson
 2015/0069215 A1 3/2015 Kohnen
 2015/0250189 A1 9/2015 Marin Moro

FOREIGN PATENT DOCUMENTS

GB 802872 A 10/1958
 GB 835370 A 5/1960
 GB 2073582 A 10/1981
 GB 2075824 A 11/1981
 GB 2451496 A 2/2009
 JP 2009508512 A 3/2009
 WO WO-890210 A1 1/1989
 WO WO-9533360 A1 12/1995
 WO WO-2006062527 A1 6/2006

* cited by examiner

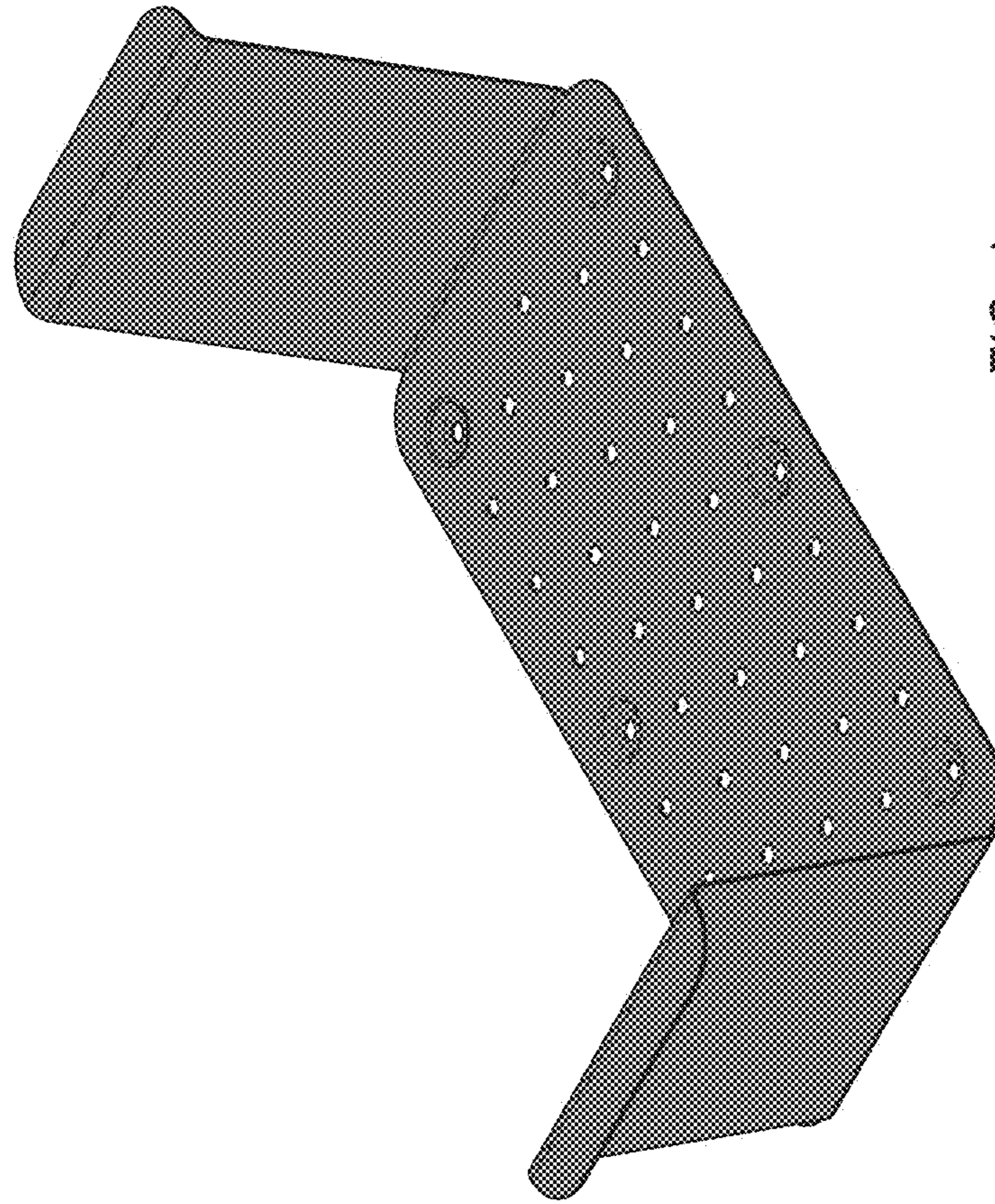


FIG. 1

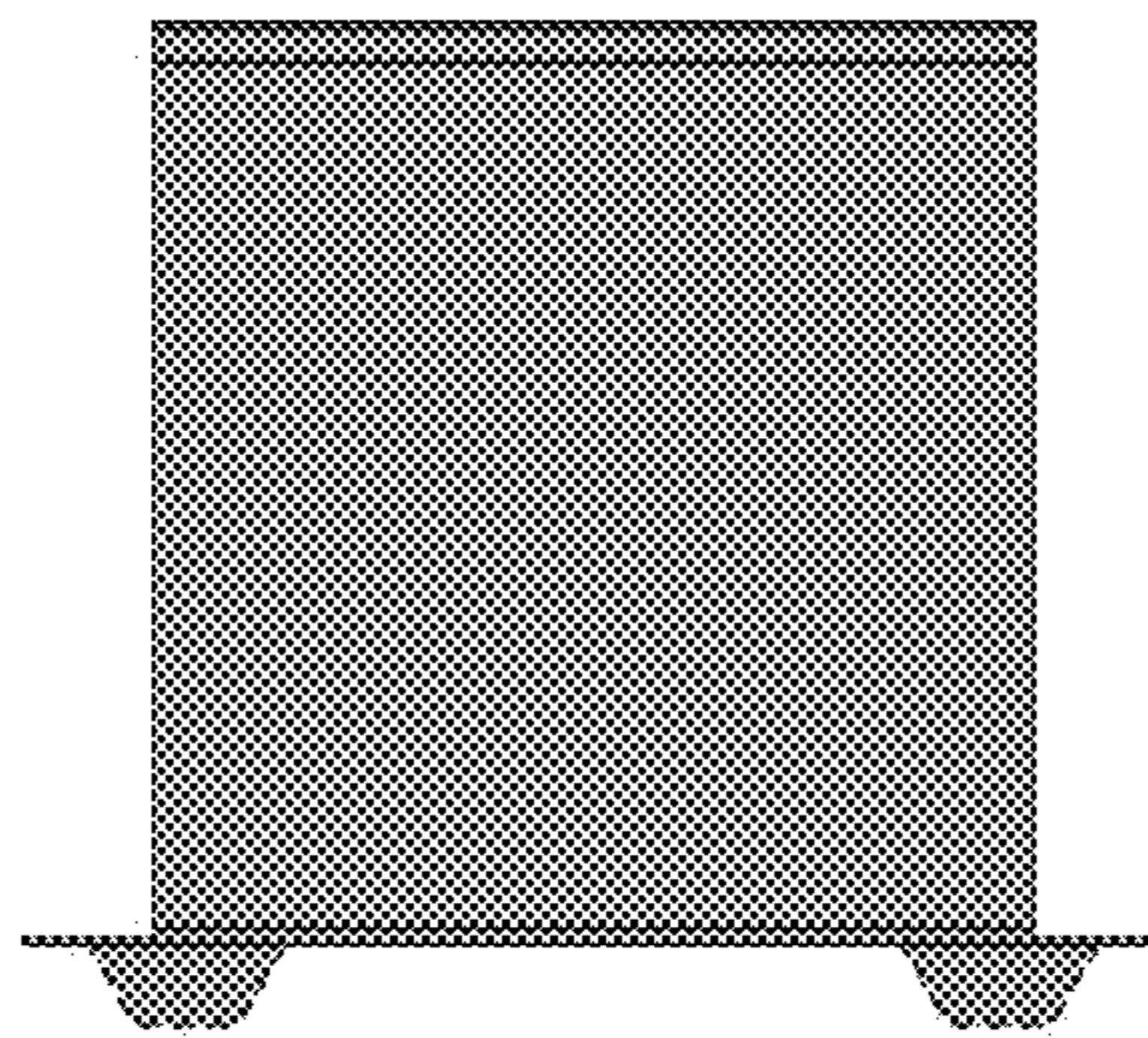


FIG. 2

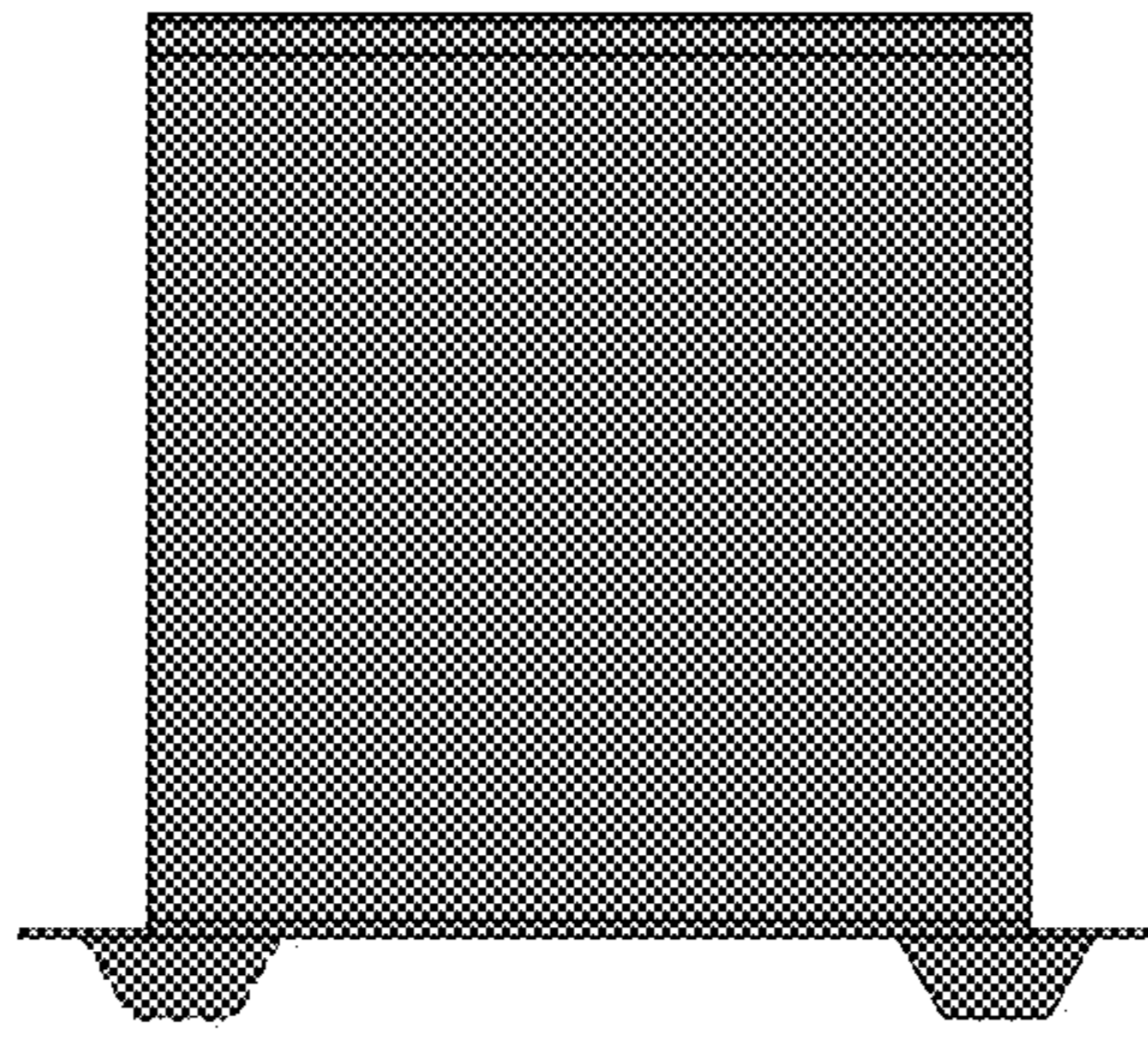


FIG. 3

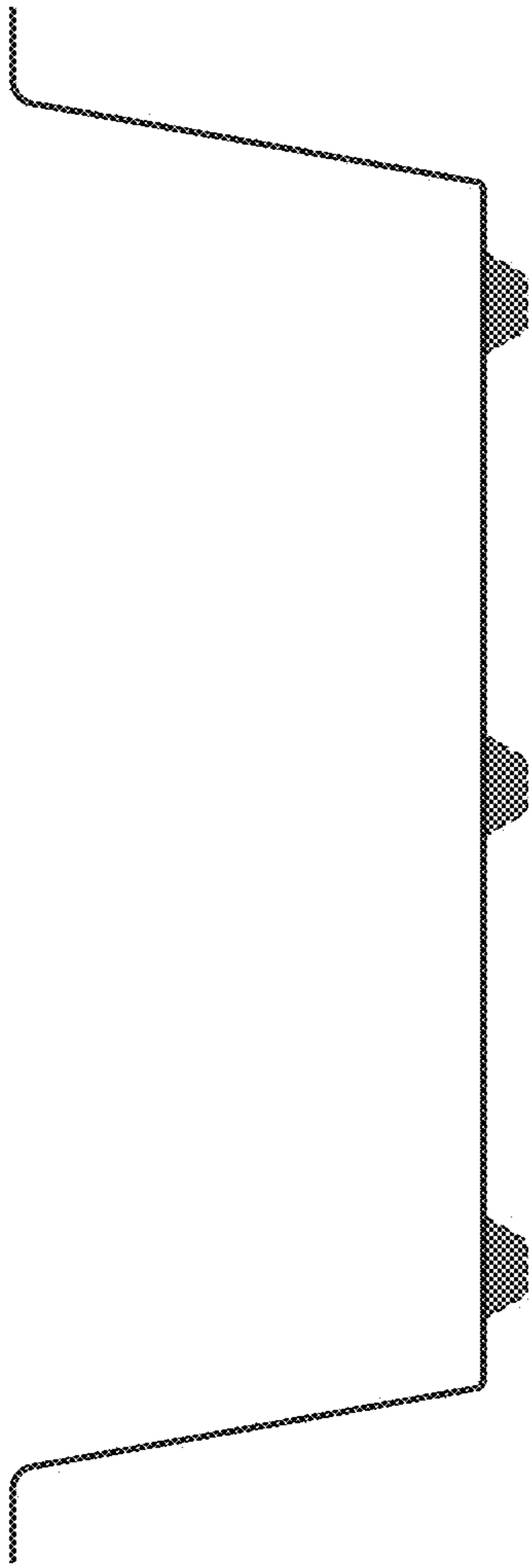


FIG. 4

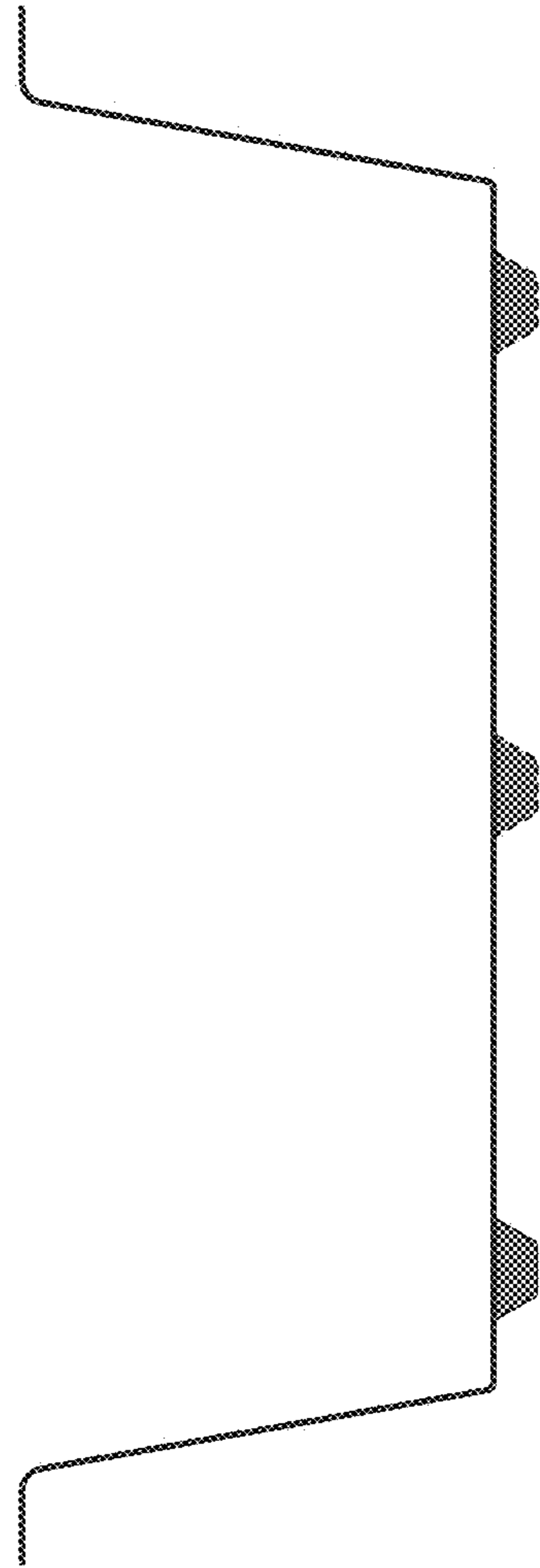


FIG. 5

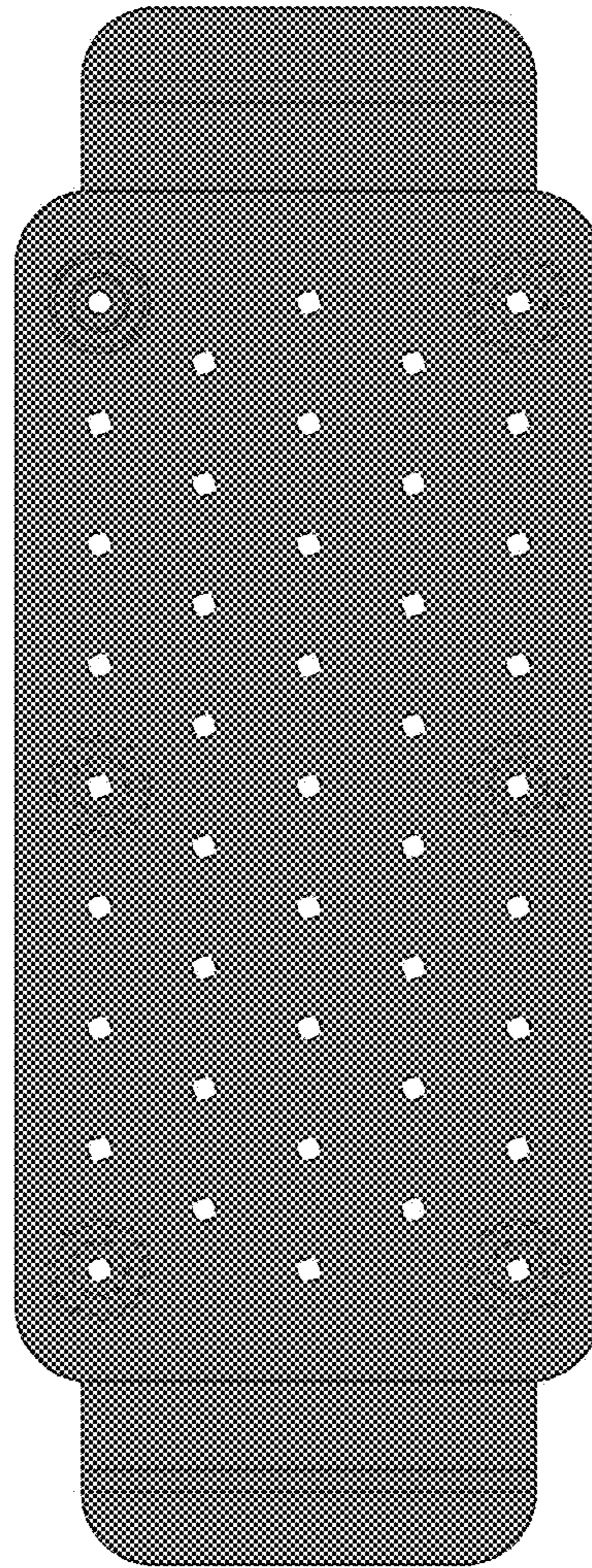


FIG. 6

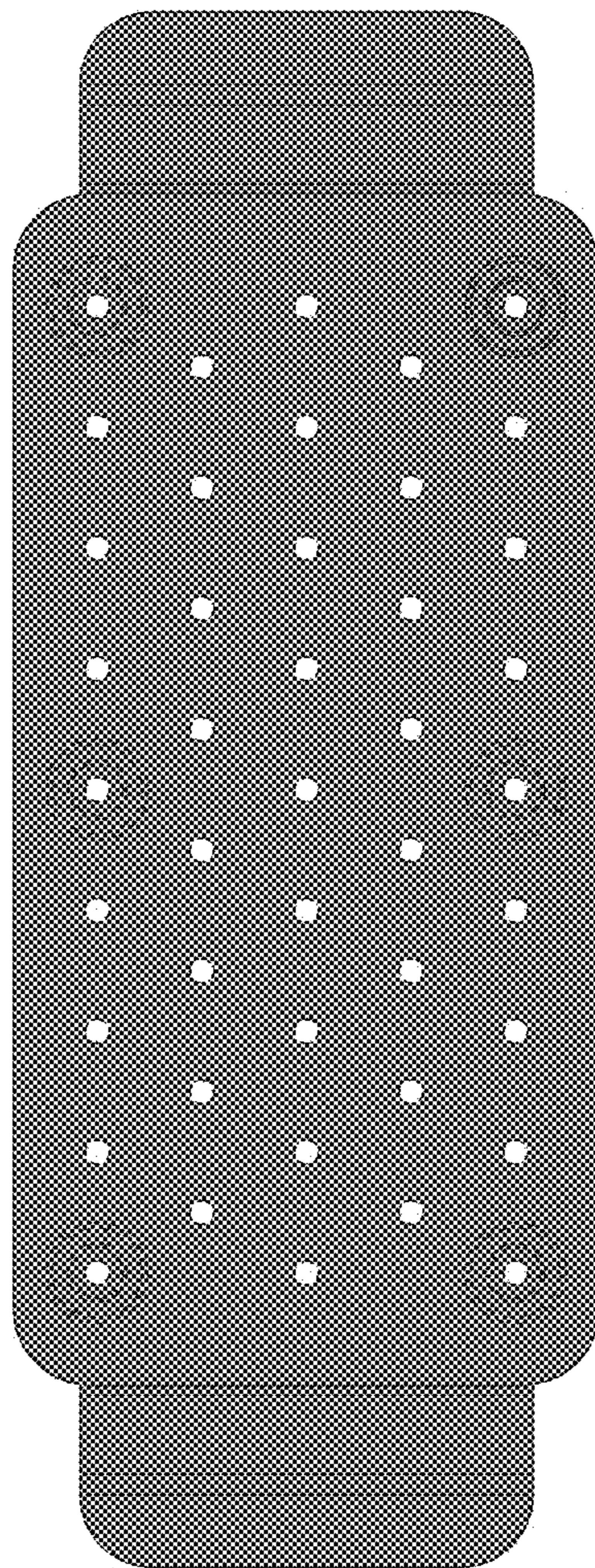


FIG. 7

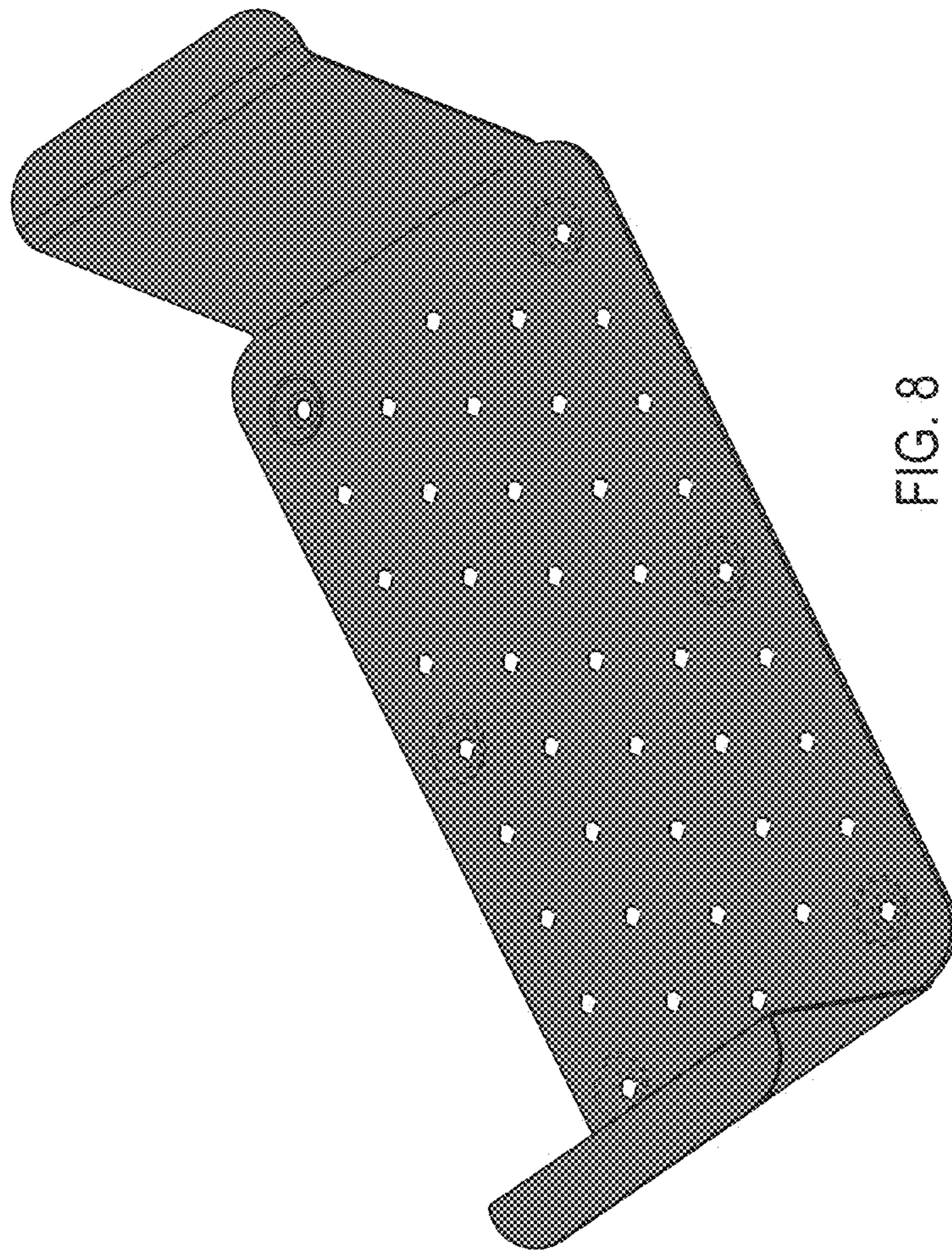


FIG. 8

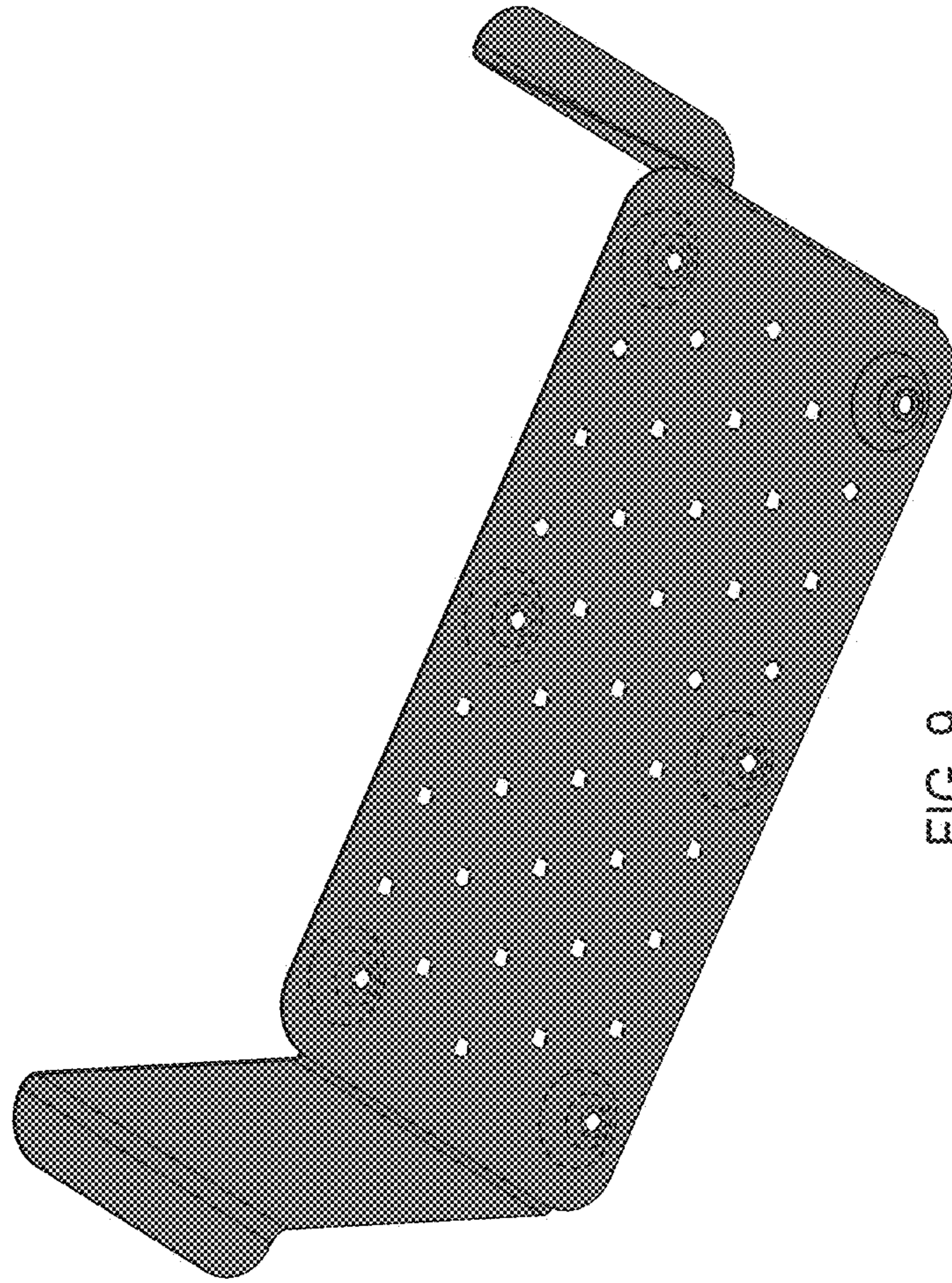


FIG. 9