



US00D860724S

(12) **United States Design Patent** (10) **Patent No.:** **US D860,724 S**
Kassin et al. (45) **Date of Patent:** **** Sep. 24, 2019**

(54) **COFFEE FILTER**

(71) Applicants: **Albert Kassin**, Levittown, NY (US);
George Lai, Portland, OR (US)

(72) Inventors: **Albert Kassin**, Levittown, NY (US);
George Lai, Portland, OR (US)

(73) Assignee: **Best Brands Consumer Products, Inc.**,
New York, NY (US)

(**) Term: **15 Years**

(21) Appl. No.: **29/577,859**

(22) Filed: **Sep. 15, 2016**

(51) **LOC (12) Cl.** **07-99**

(52) **U.S. Cl.**
USPC **D7/400**

(58) **Field of Classification Search**
USPC D7/300, 302, 303, 305, 397, 399,
D7/316-319, 321, 400, 401, 600, 602,
D7/619.1, 667; D9/516, 523, 524, 527,
D9/528; D23/209, 212, 261; D3/273,
D3/294
CPC A47J 27/21058; A47J 31/40; A47J 31/41;
A47J 31/44; A47J 47/00; A47G 19/12;
A47G 19/14; A47G 19/145; B01D 35/02;
B65B 39/00; B65D 47/06
See application file for complete search history.

D694,579 S * 12/2013 Khubani D7/400
D717,594 S * 11/2014 Taketani D7/399
D721,536 S * 1/2015 Advani D7/400
D723,868 S * 3/2015 Hertaus D7/399
D764,226 S * 8/2016 Ming D7/400
D767,331 S * 9/2016 Burrows D7/399
D771,434 S * 11/2016 Burrows D7/399
2012/0276264 A1 * 11/2012 Rivera A47J 31/0689
426/433

* cited by examiner

Primary Examiner — Derrick E Holland
Assistant Examiner — Andrew Kerr
(74) *Attorney, Agent, or Firm* — Goldberg Cohen LLP

(57) **CLAIM**

We claim the ornamental design for a coffee filter, as shown and described.

DESCRIPTION

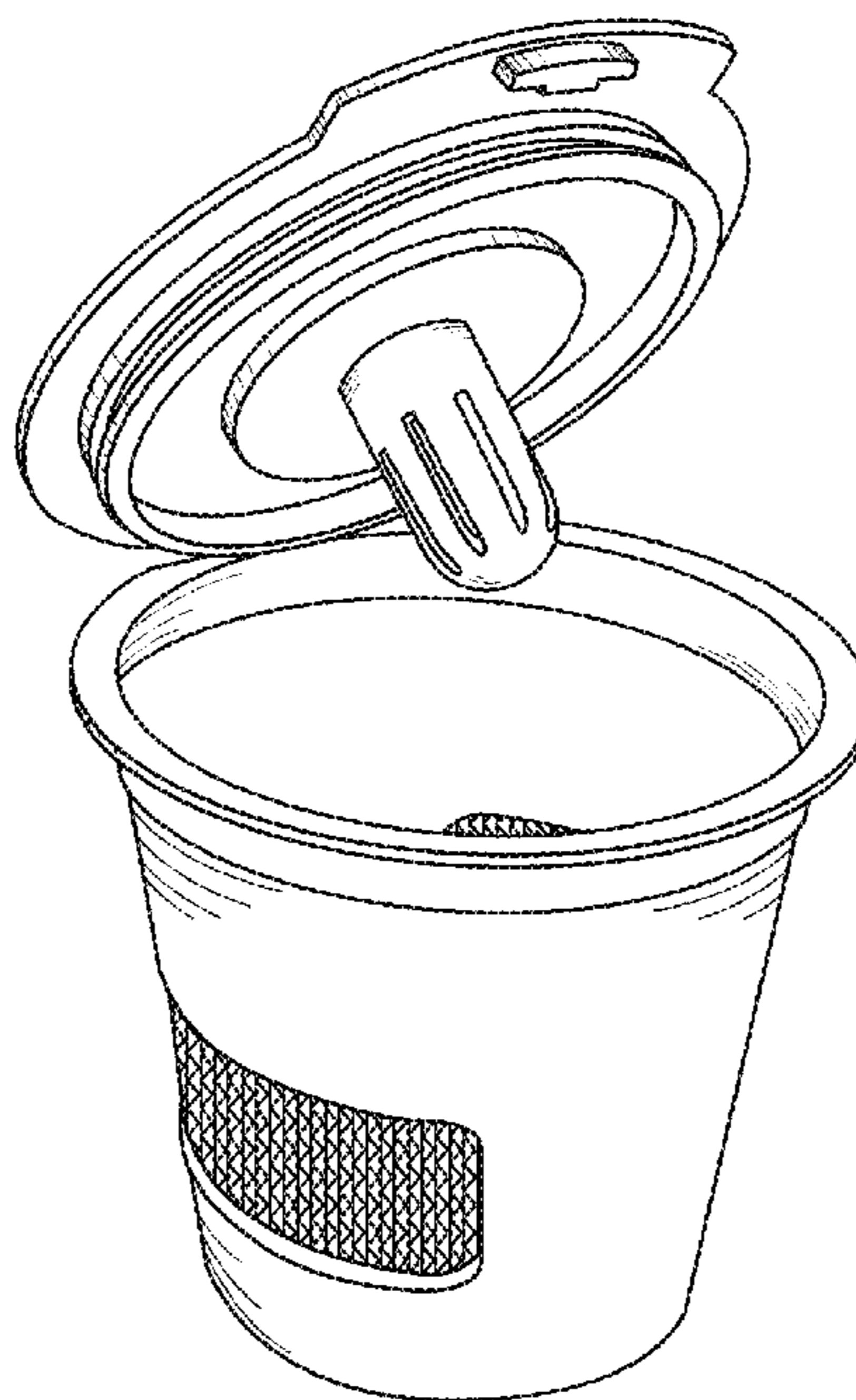
FIG. 1 is a perspective view of a coffee filter showing my new design in an open configuration;
FIG. 2 is a left side view thereof, in an open configuration;
FIG. 3 is a left side view thereof, in a closed configuration;
FIG. 4 is a right side view thereof, in an open configuration;
FIG. 5 is a right side view thereof, in a closed configuration;
FIG. 6 is a front view thereof;
FIG. 7 is a back view thereof;
FIG. 8 is a top view thereof;
FIG. 9 is a bottom view thereof; and,
FIG. 10 is a top view thereof, in an open configuration.
The broken lines in the drawing views represent unclaimed portions of a coffee filter, which are included for the purpose of illustrating unclaimed environment only, and forms no part of the claimed design.

(56) **References Cited**

U.S. PATENT DOCUMENTS

D349,211 S * 8/1994 Cerato D7/400
D677,120 S * 3/2013 DeMiglio A47J 31/0689
D7/400

1 Claim, 6 Drawing Sheets



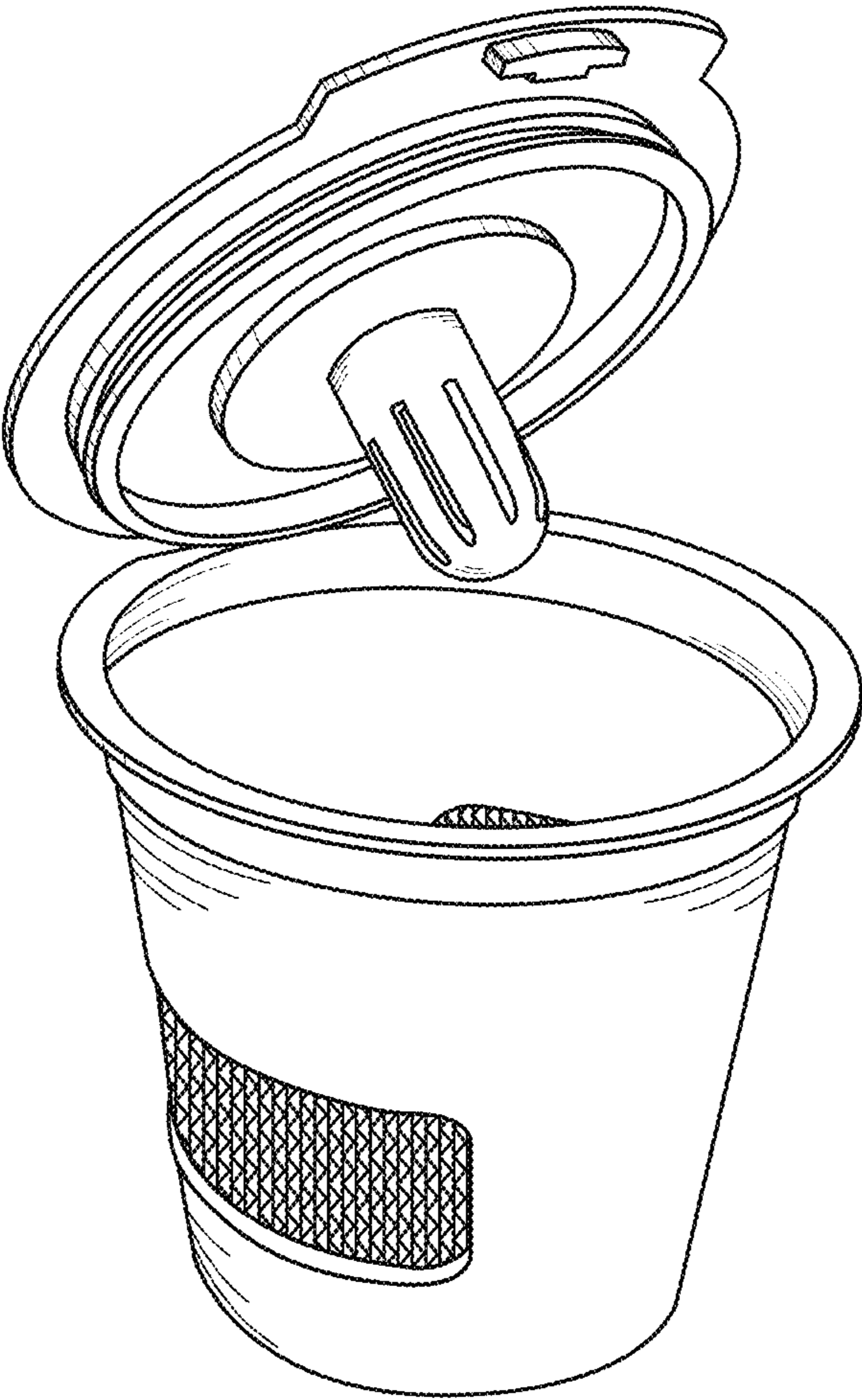


FIG. 1

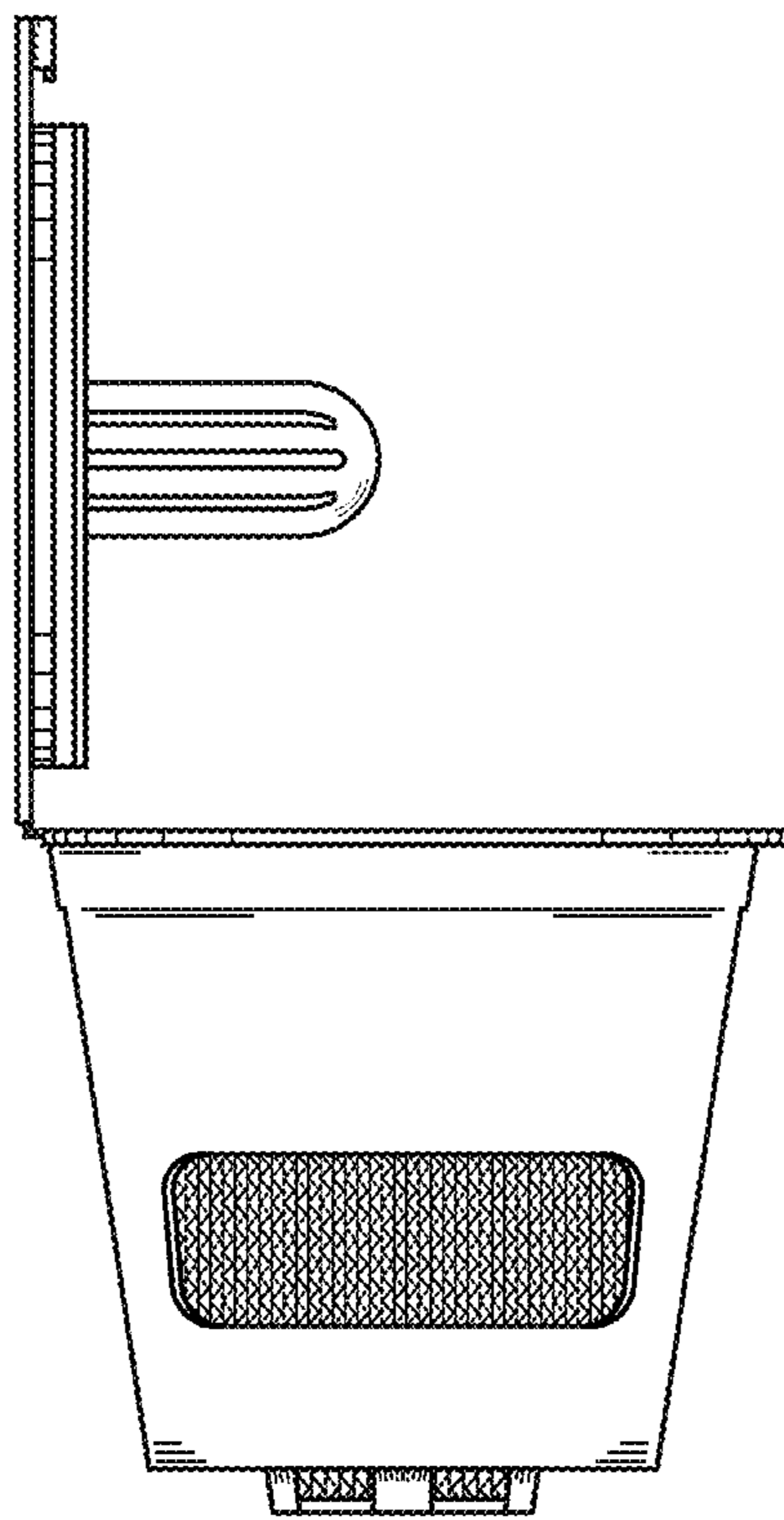


FIG. 2

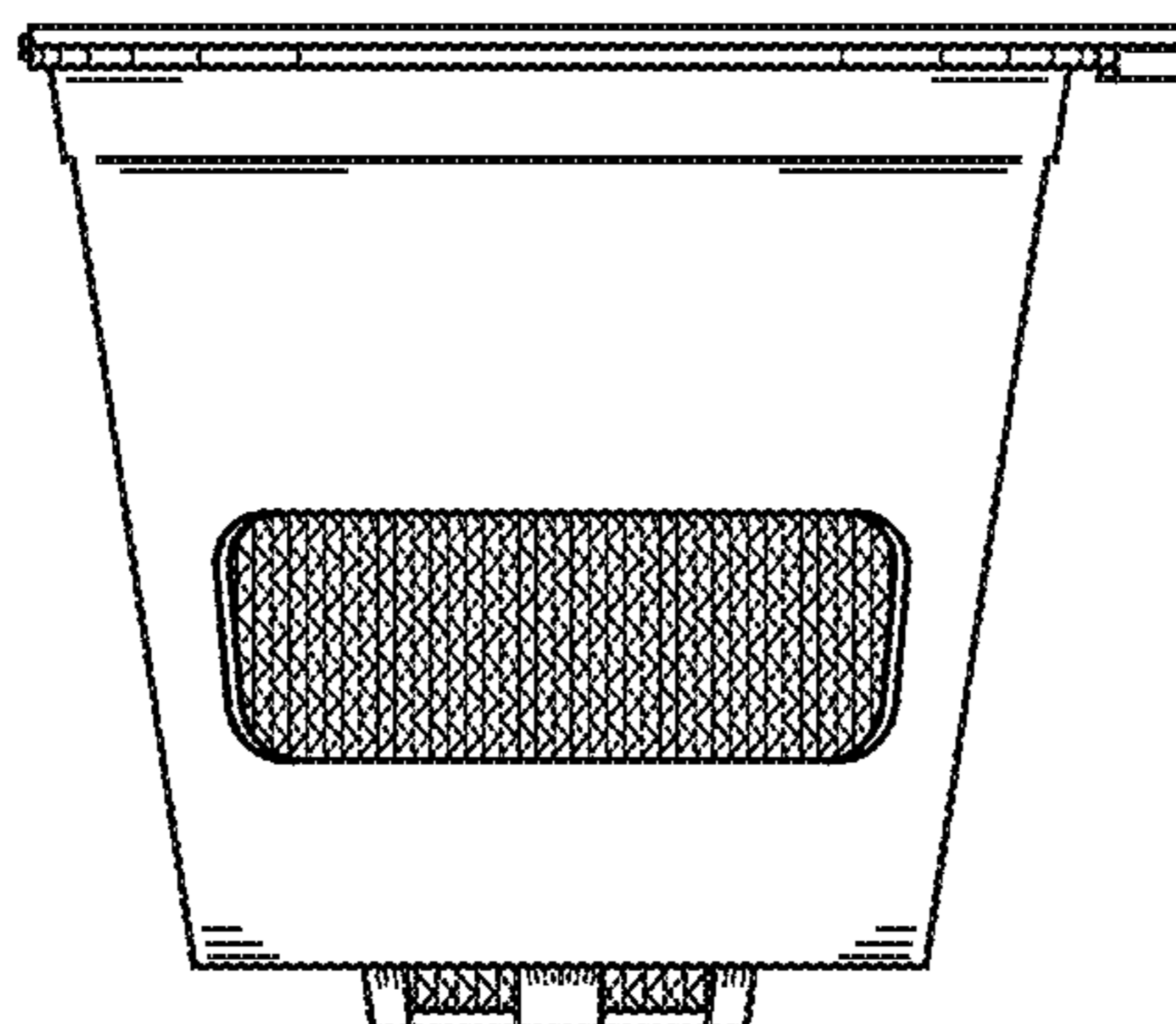


FIG. 3

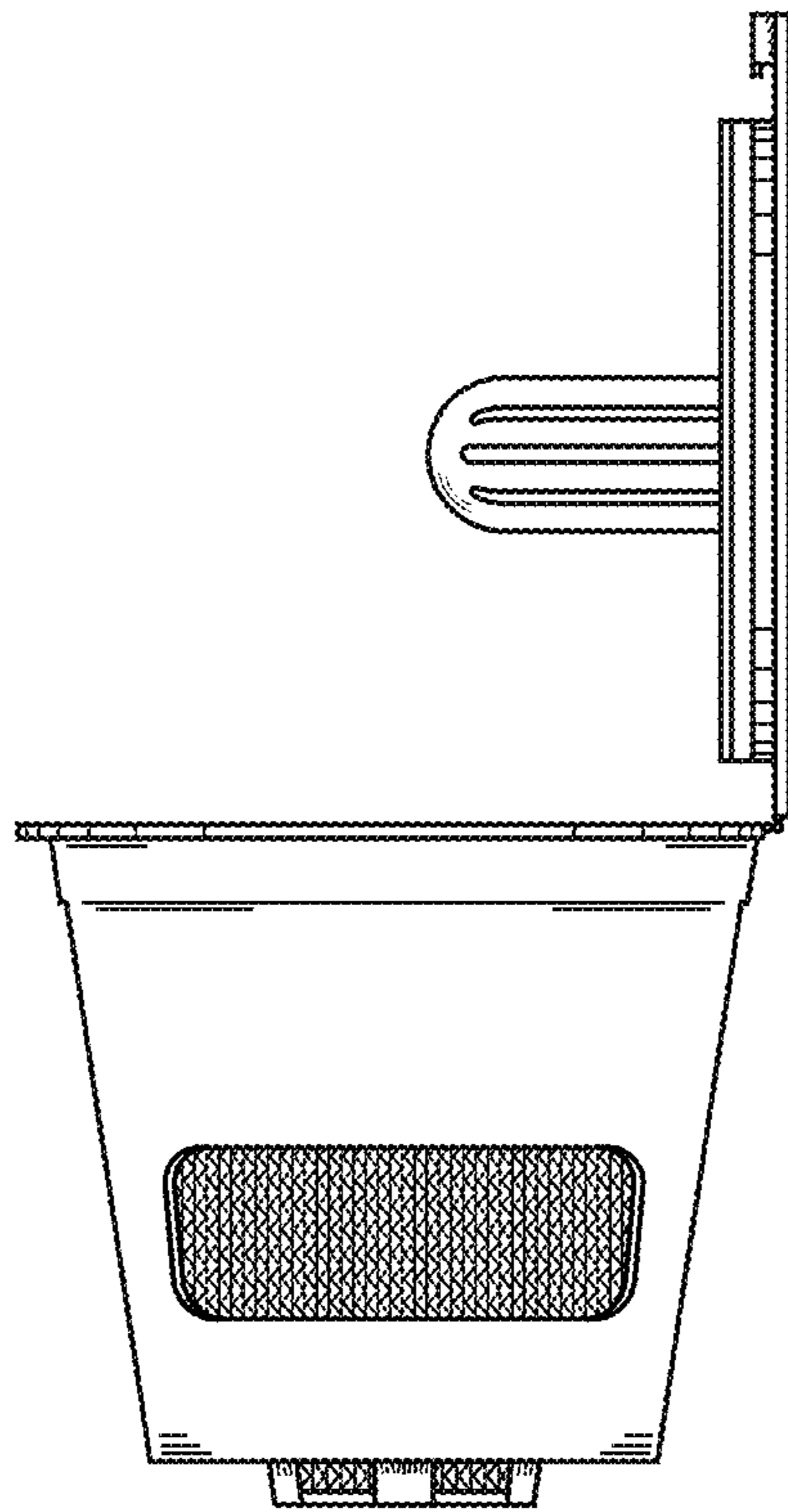


FIG. 4

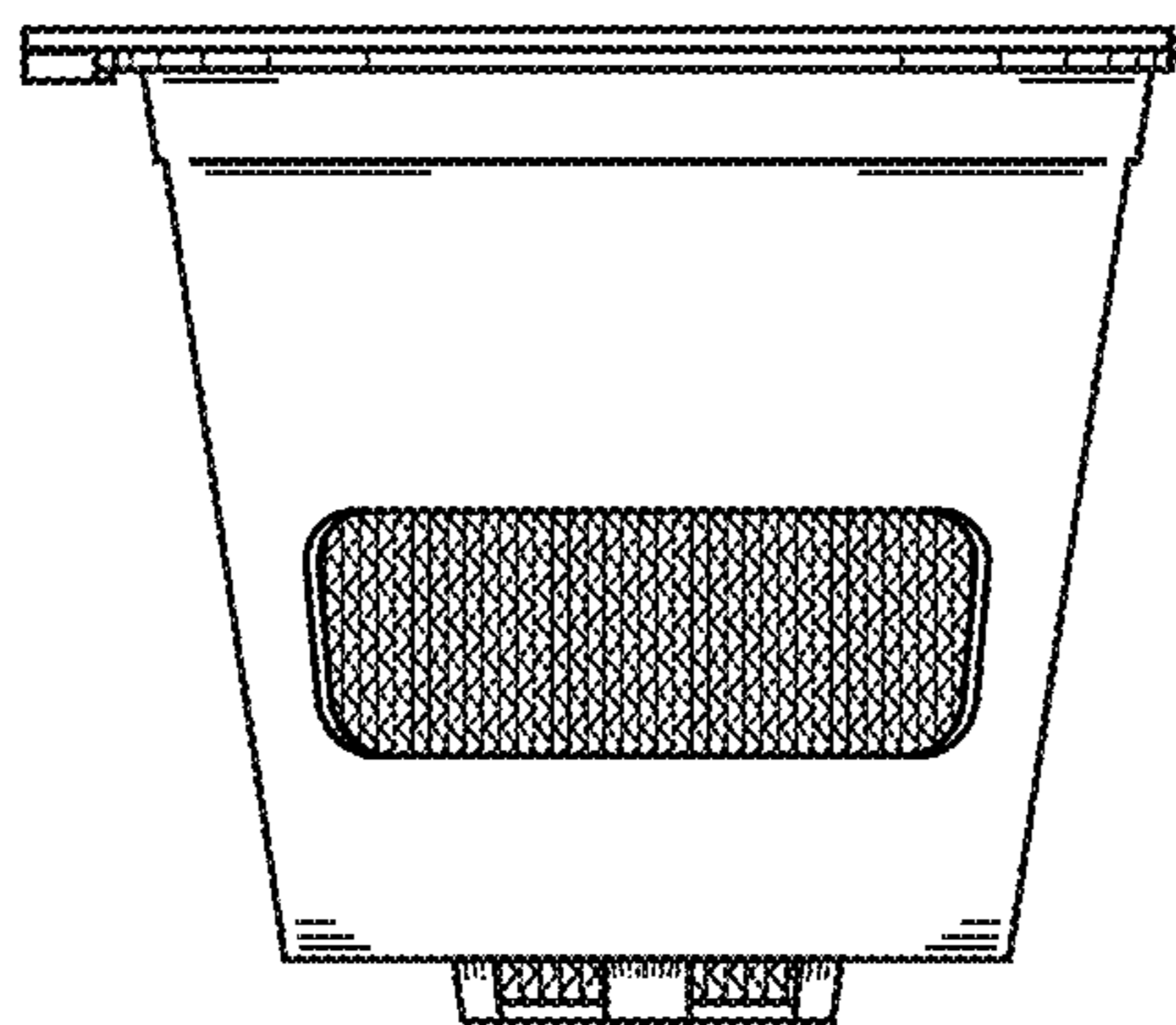


FIG. 5

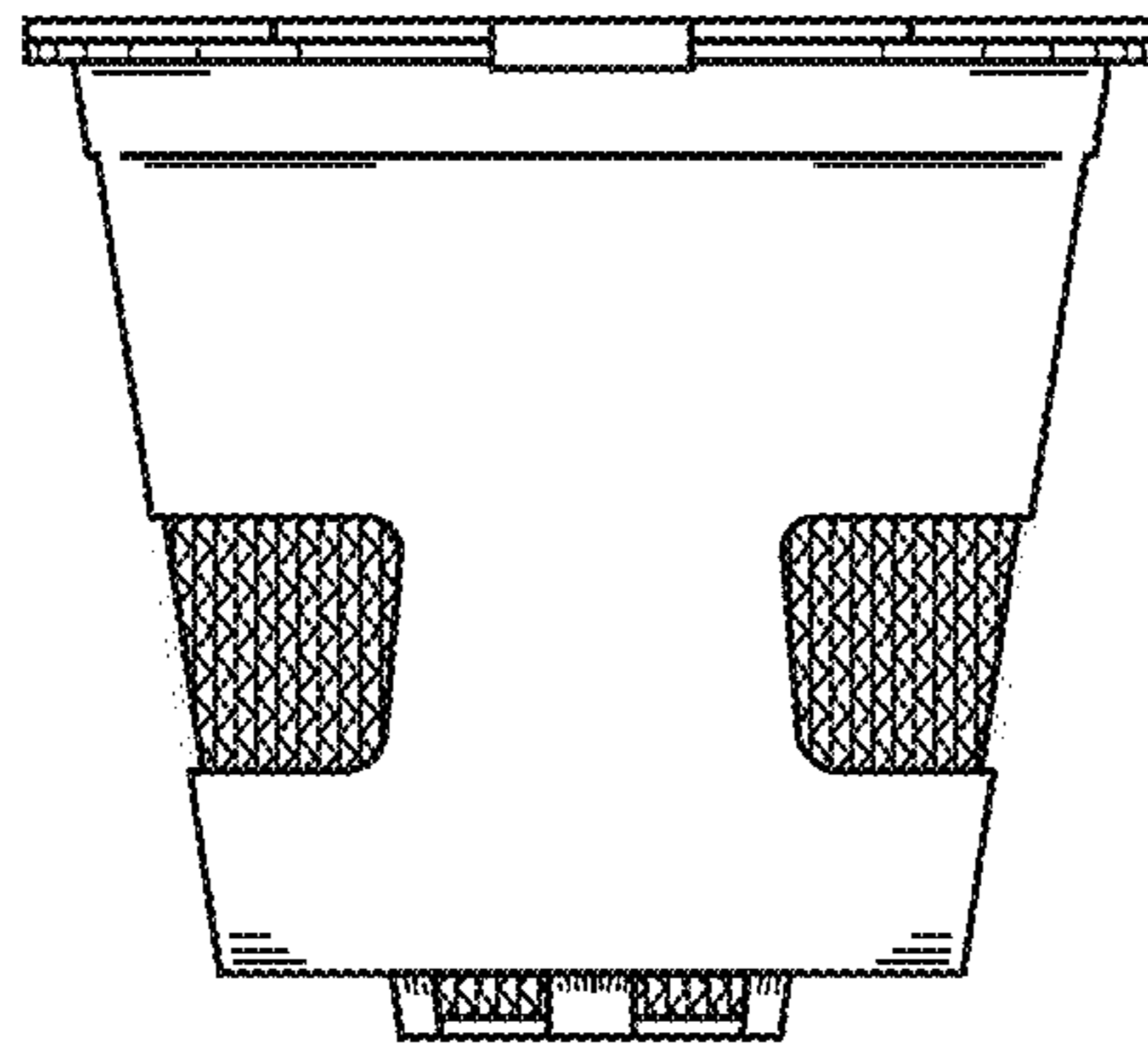


FIG. 6

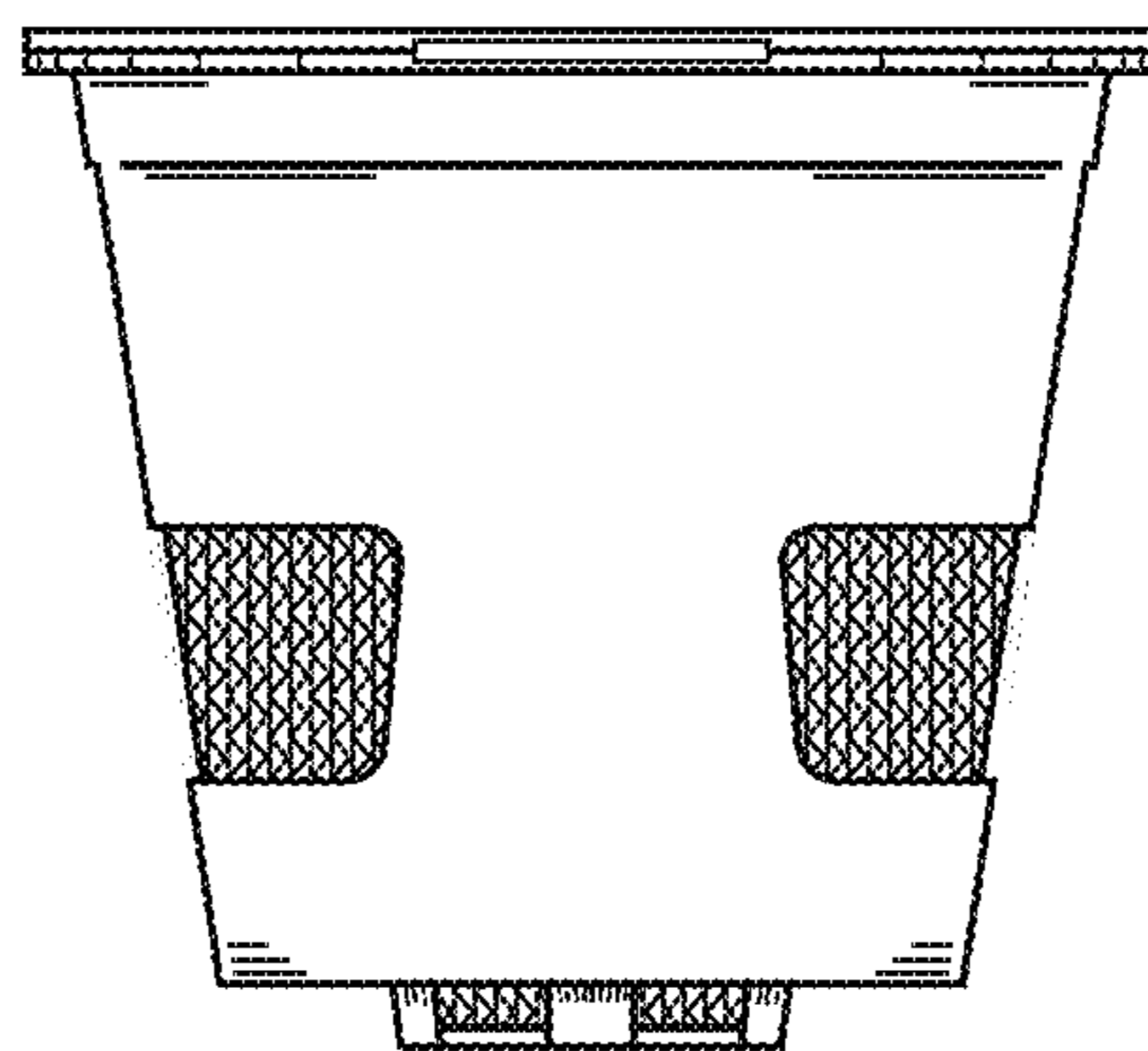


FIG. 7

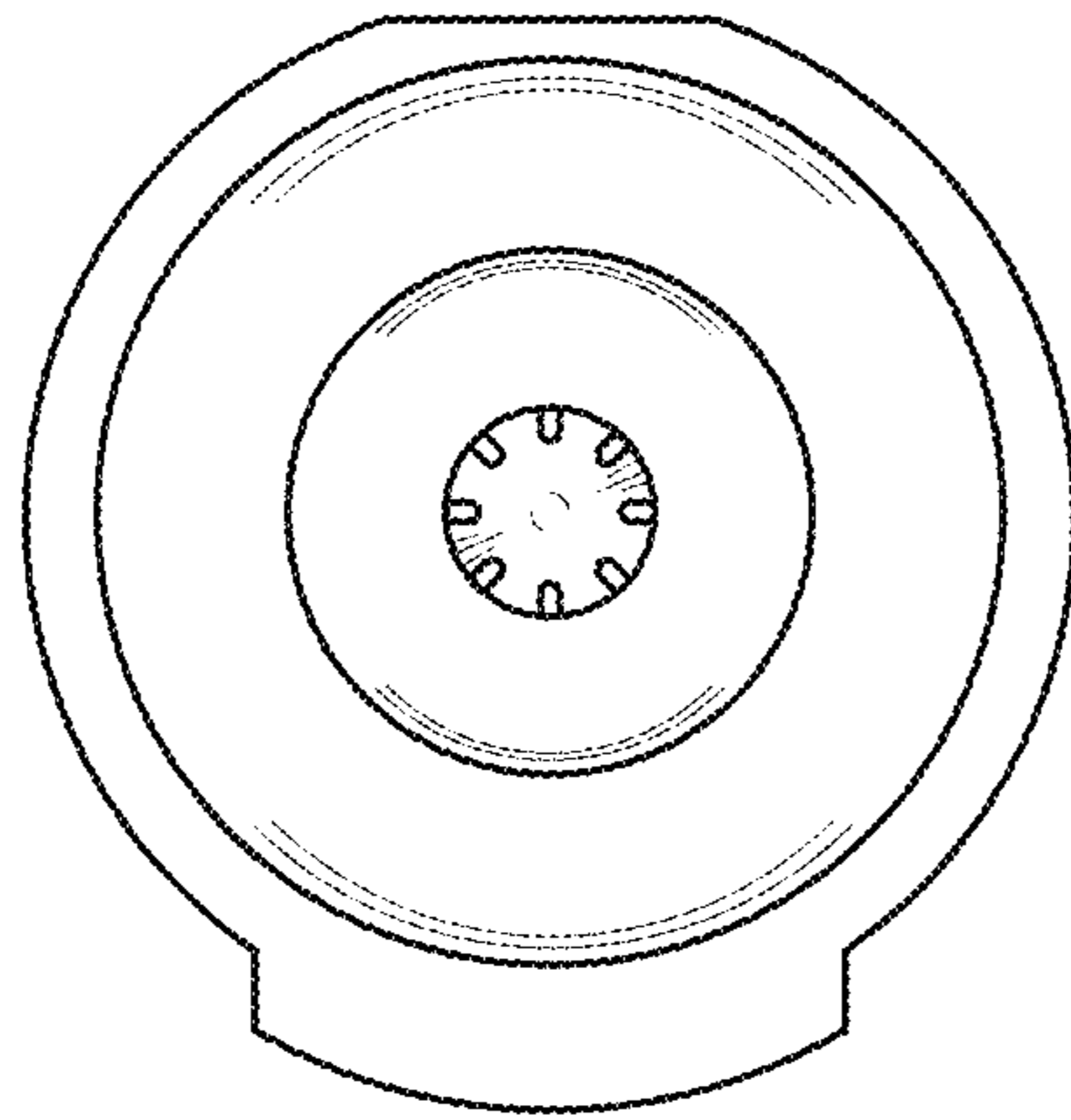


FIG. 8

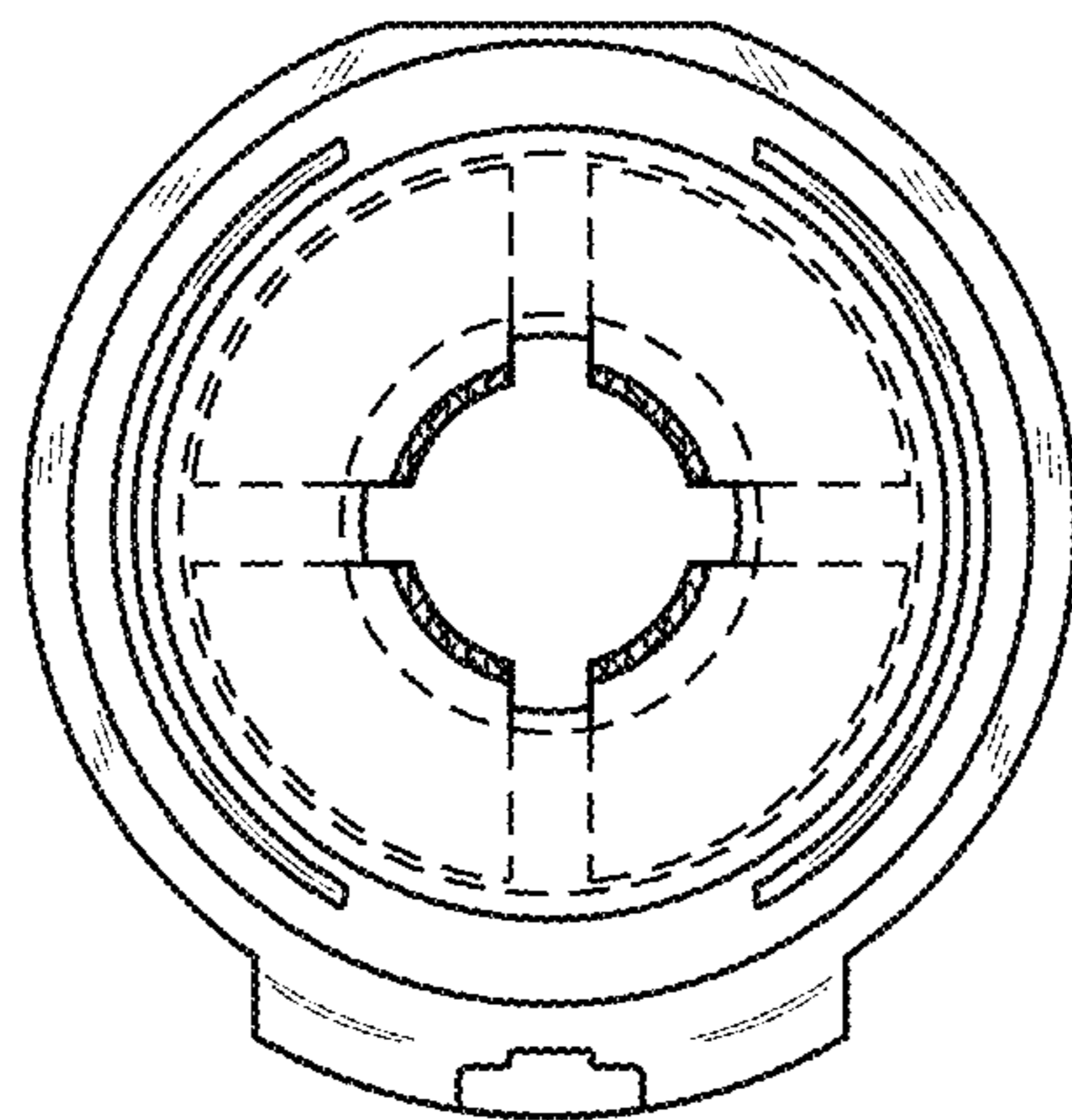


FIG. 9

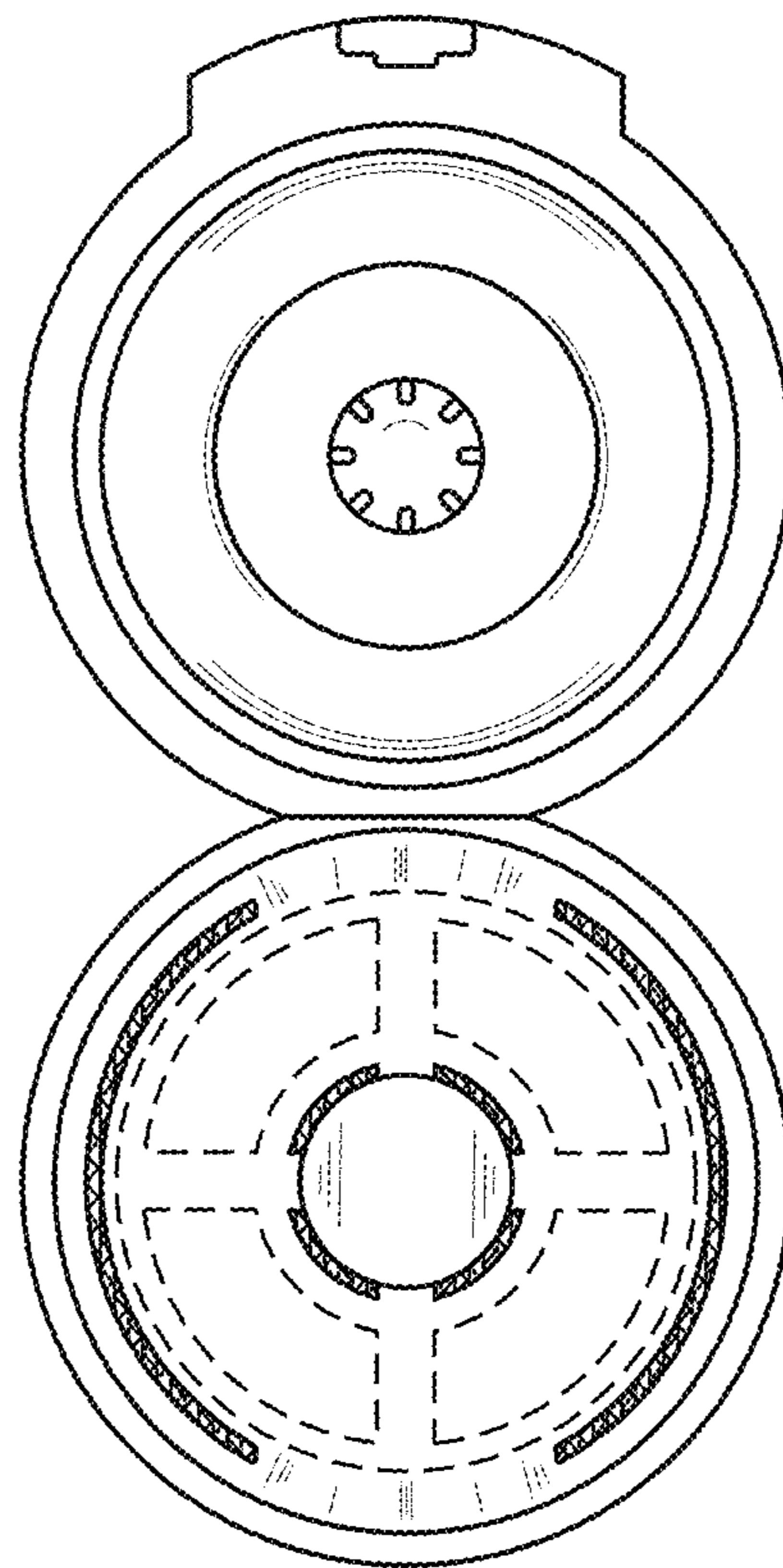


FIG. 10