

US00D860720S

(12) **United States Design Patent**
Gallagher

(10) **Patent No.:** **US D860,720 S**

(45) **Date of Patent:** **** Sep. 24, 2019**

- (54) **BOTTLE DISPENSER BASE**
- (71) Applicant: **Kenneth John Gallagher**, Las Vegas, NV (US)
- (72) Inventor: **Kenneth John Gallagher**, Las Vegas, NV (US)

5,143,247	A *	9/1992	Gavle	A47G 23/0216
					220/630
D334,874	S *	4/1993	Mealey	D7/388
D366,391	S *	1/1996	Haley	D7/387
5,984,136	A *	11/1999	Mason	A47G 23/0225
					220/23.83
6,305,817	B1 *	10/2001	Johnston	A47G 23/0216
					362/101
D488,962	S *	4/2004	Catt	D7/619.1
6,793,363	B2 *	9/2004	Jensen	A47G 23/0309
					362/101
D577,550	S *	9/2008	Pertuit	D7/619.1
D640,891	S *	7/2011	Smith	D7/307
D662,365	S *	6/2012	Howes	D7/603
D668,903	S *	10/2012	Walton	D7/306
D677,102	S *	3/2013	Walton	D7/306
D774,824	S *	12/2016	Gallagher	D7/313

(**) Term: **15 Years**

(21) Appl. No.: **29/633,436**

(22) Filed: **Jan. 13, 2018**

Related U.S. Application Data

(63) Continuation-in-part of application No. 29/618,780, filed on Sep. 24, 2017, now Pat. No. Des. 832,037, which is a continuation-in-part of application No. 29/589,064, filed on Dec. 27, 2016, now Pat. No. Des. 807,115, which is a continuation-in-part of application No. 29/571,331, filed on Jul. 18, 2016, now abandoned.

(51) **LOC (12) Cl.** **07-99**

(52) **U.S. Cl.**
USPC **D7/397; D7/313; D7/619.1**

(58) **Field of Classification Search**
USPC D7/300, 306-311, 305, 397, 313, 619.1, D7/355, 362, 365, 367, 624.1, 387, 388; 222/146.6, 185.1, 135; 99/295, 273, 304, 99/288, 279, 307, 283; D9/455
CPC A47J 31/46; A47J 31/407; A47J 31/50; A47J 31/18; A47J 31/00; A47J 27/04; A47J 31/0573; A47J 31/52
See application file for complete search history.

(56) **References Cited**

U.S. PATENT DOCUMENTS

2,784,577	A *	3/1957	Beaham	A47G 23/0216
					215/393
4,290,573	A *	9/1981	Shapiro	A23G 9/503
					248/152

(Continued)

Primary Examiner — Marianne N Pandozzi

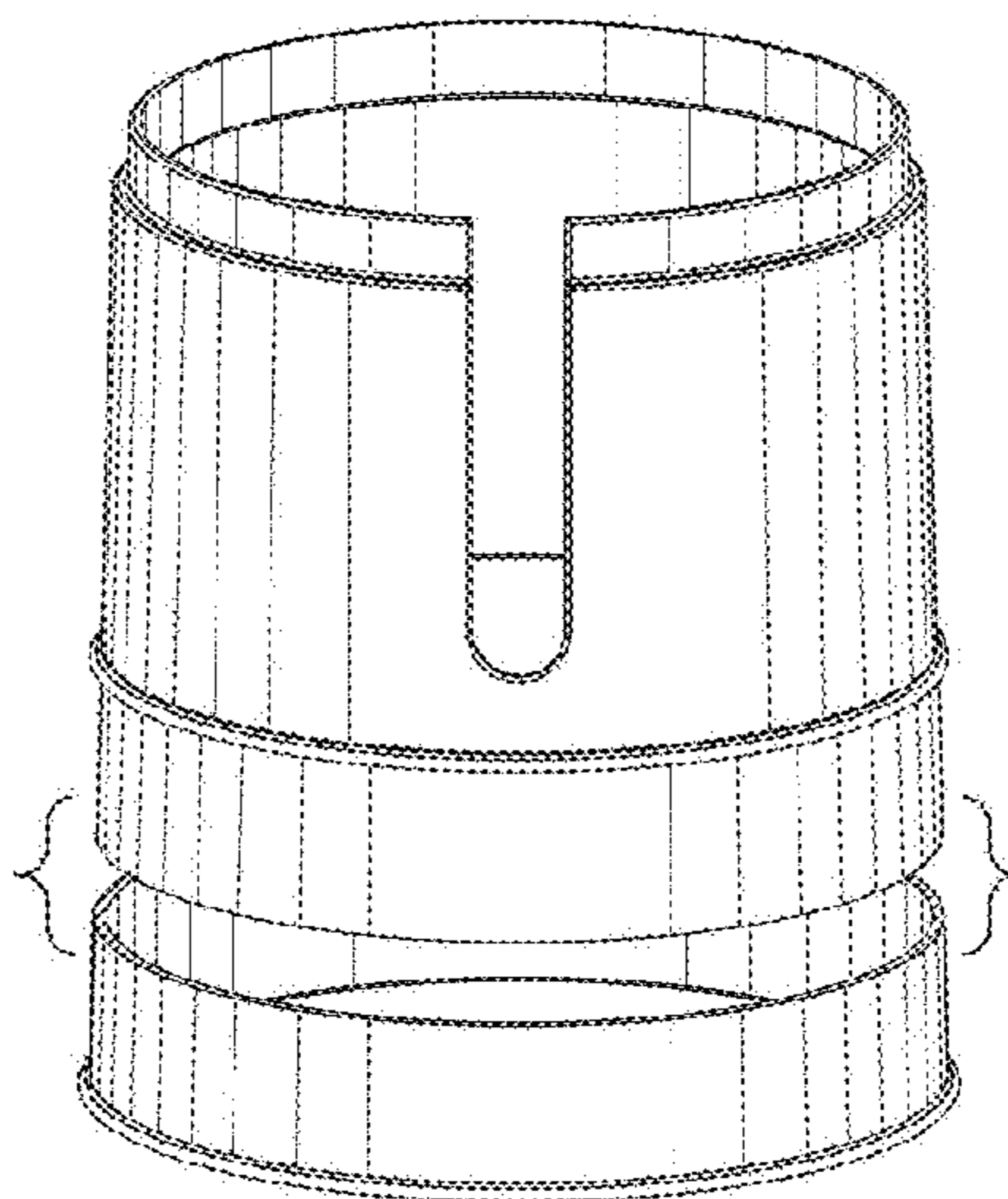
(57) **CLAIM**

The ornamental design for a bottle dispenser base, as shown and described.

DESCRIPTION

FIG. 1 is a front perspective view of a bottle dispenser base showing my new design;
FIG. 2 is a top right perspective view thereof;
FIG. 3 is a bottom left perspective view thereof;
FIG. 4 is an exploded perspective view thereof;
FIG. 5 is a front elevational view thereof;
FIG. 6 is a rear elevational view thereof;
FIG. 7—is a right side elevational view thereof;
FIG. 8—is a left side elevational view thereof;
FIG. 9—is a top plan view thereof; and,
FIG. 10—is a bottom plan view thereof.
The appearance of any portion of the bottle dispenser base between the break lines forms no part of my ornamental design.

1 Claim, 4 Drawing Sheets



(56)

References Cited

U.S. PATENT DOCUMENTS

D775,901 S * 1/2017 Lee D7/603
D789,157 S * 6/2017 Esposito D7/619.1
D807,115 S * 1/2018 Gallagher D7/397

* cited by examiner

FIG. 1

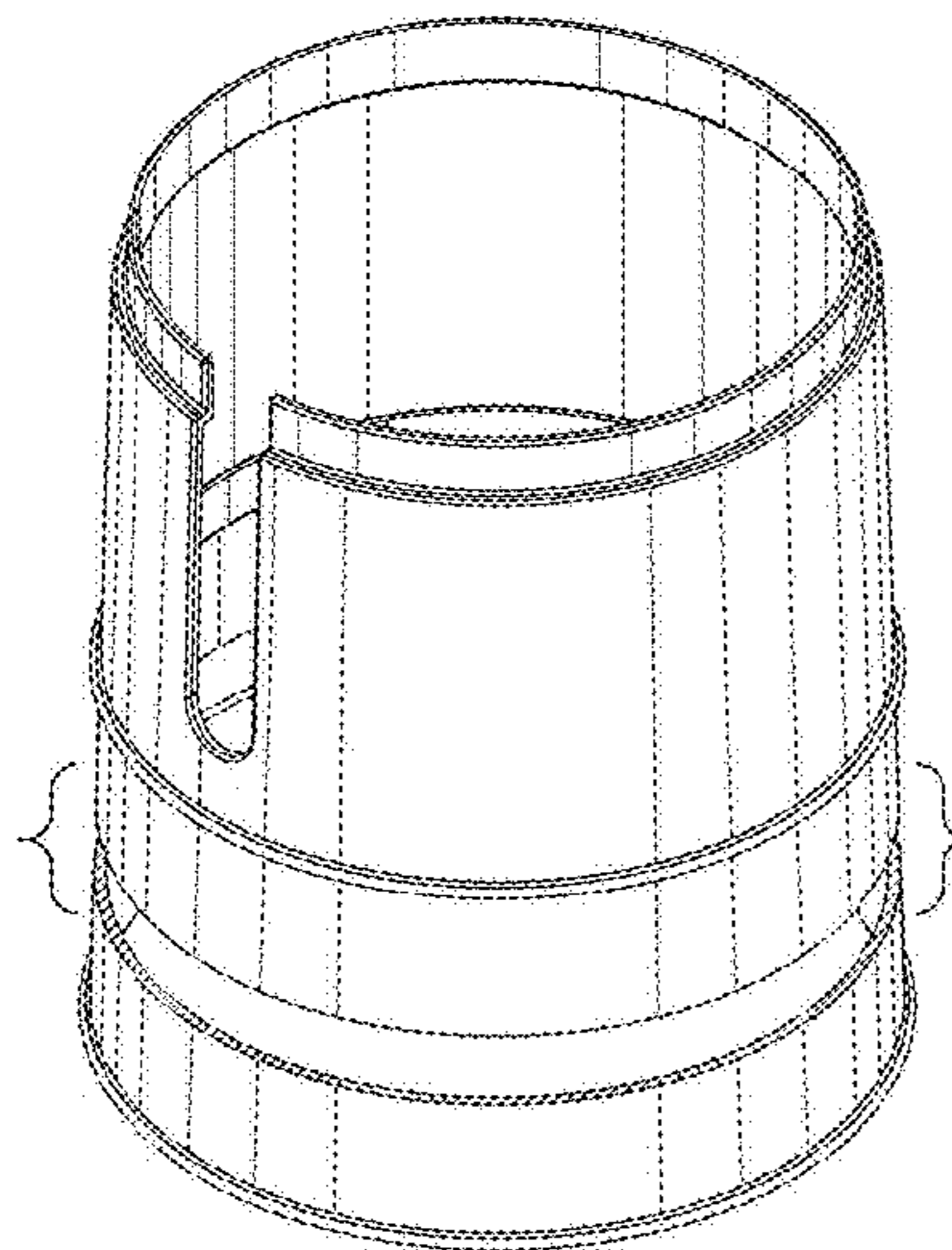
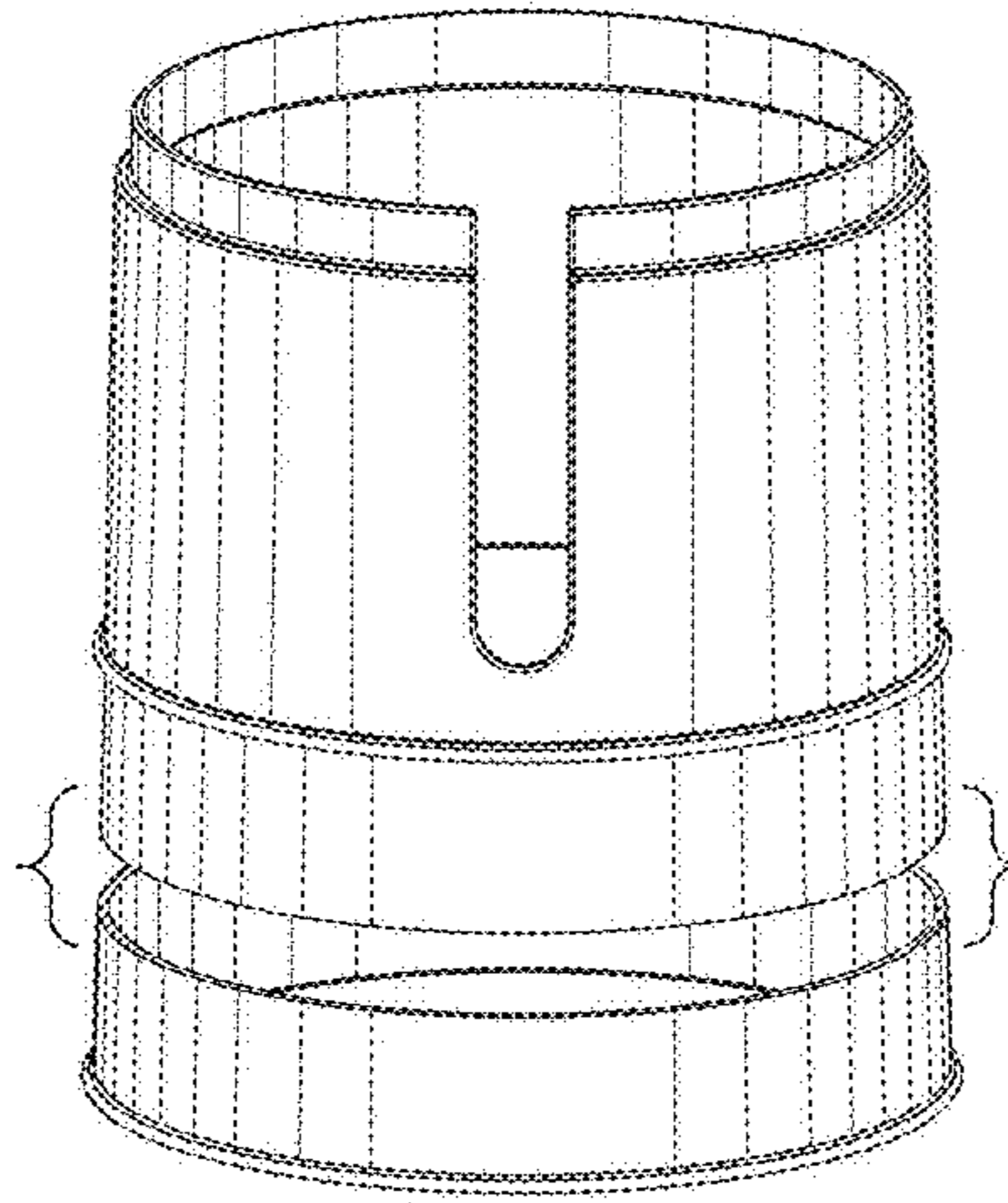


FIG. 2

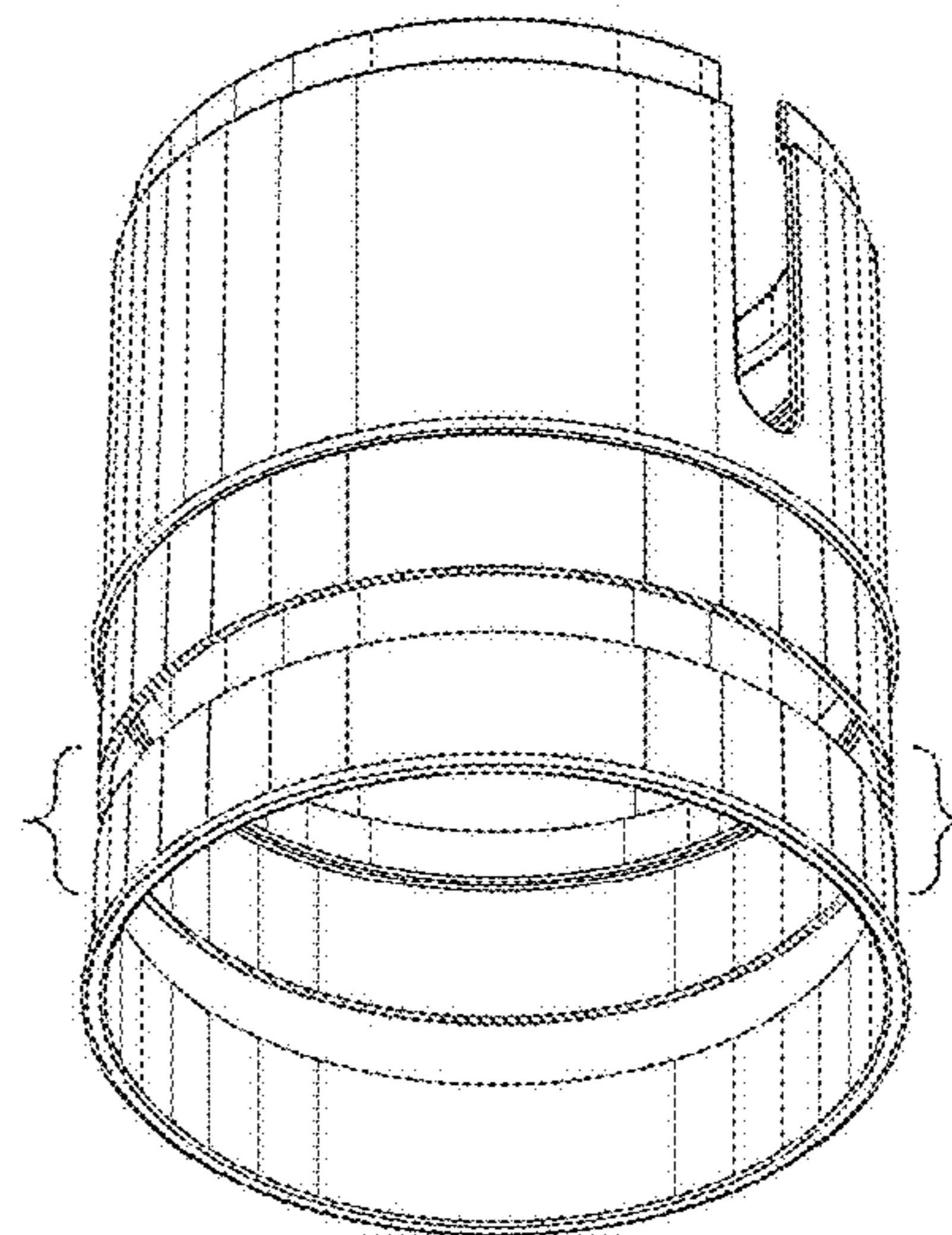


FIG. 3

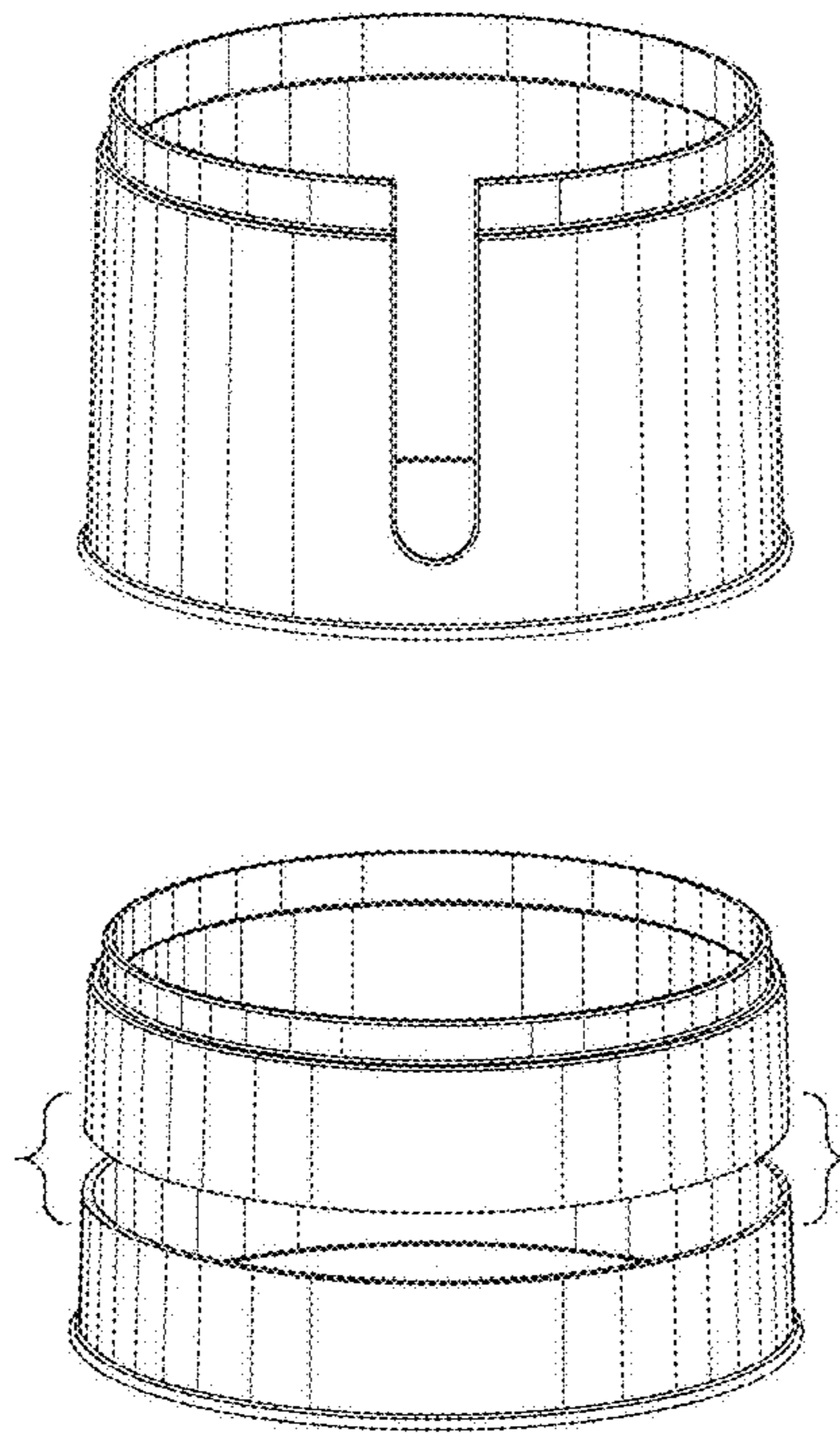


FIG. 4

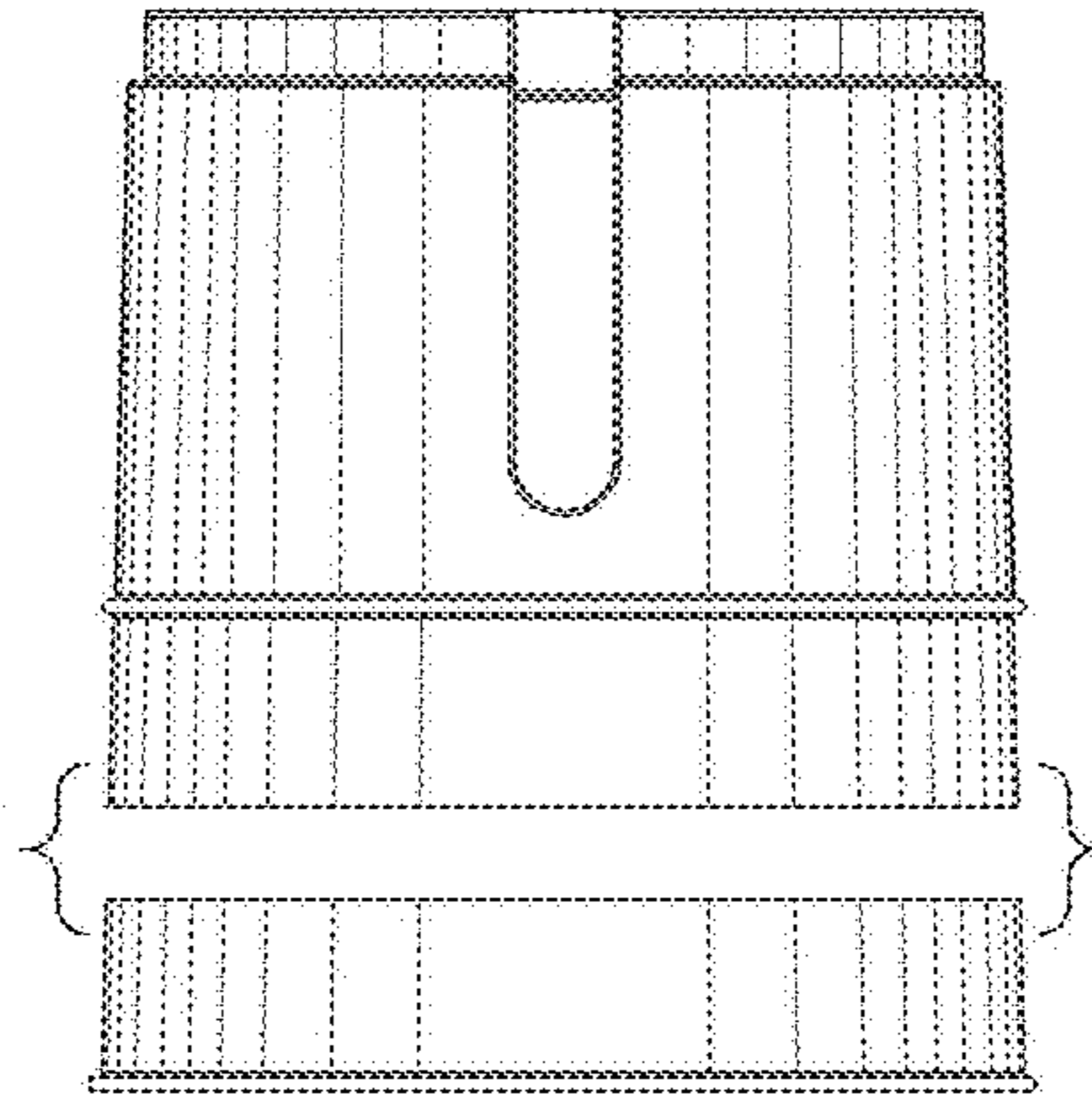


FIG. 5

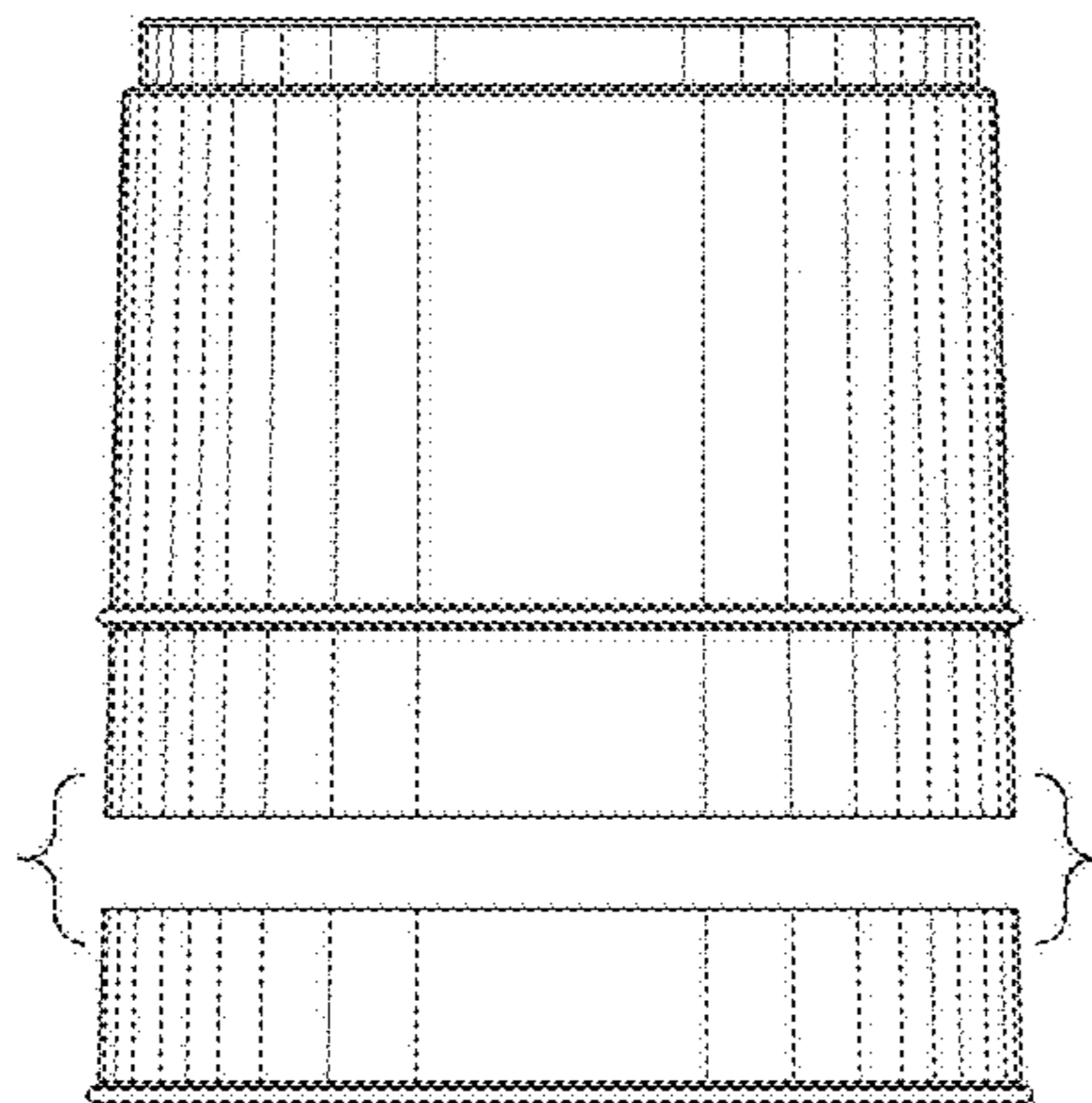


FIG. 6

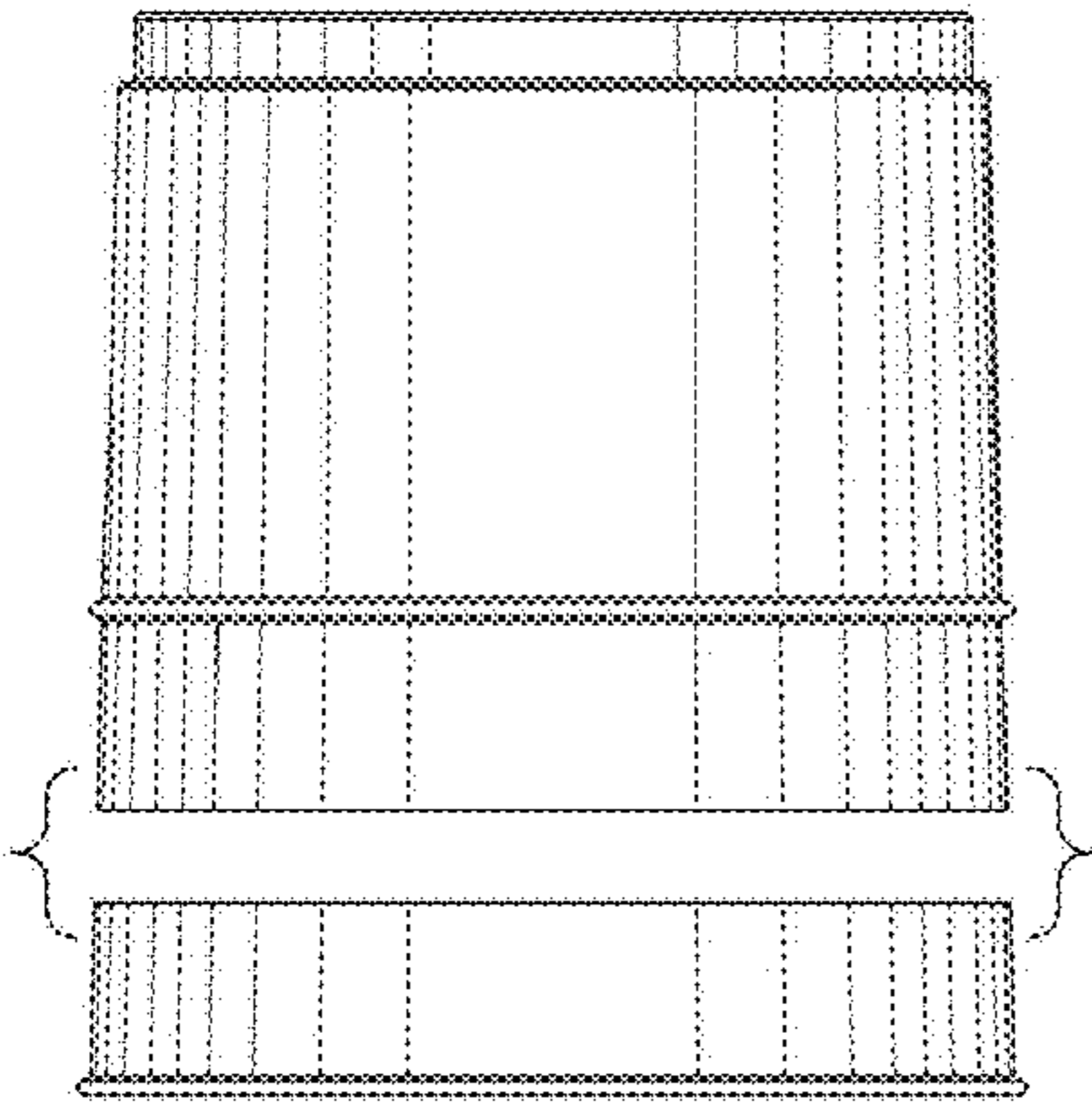


FIG. 7

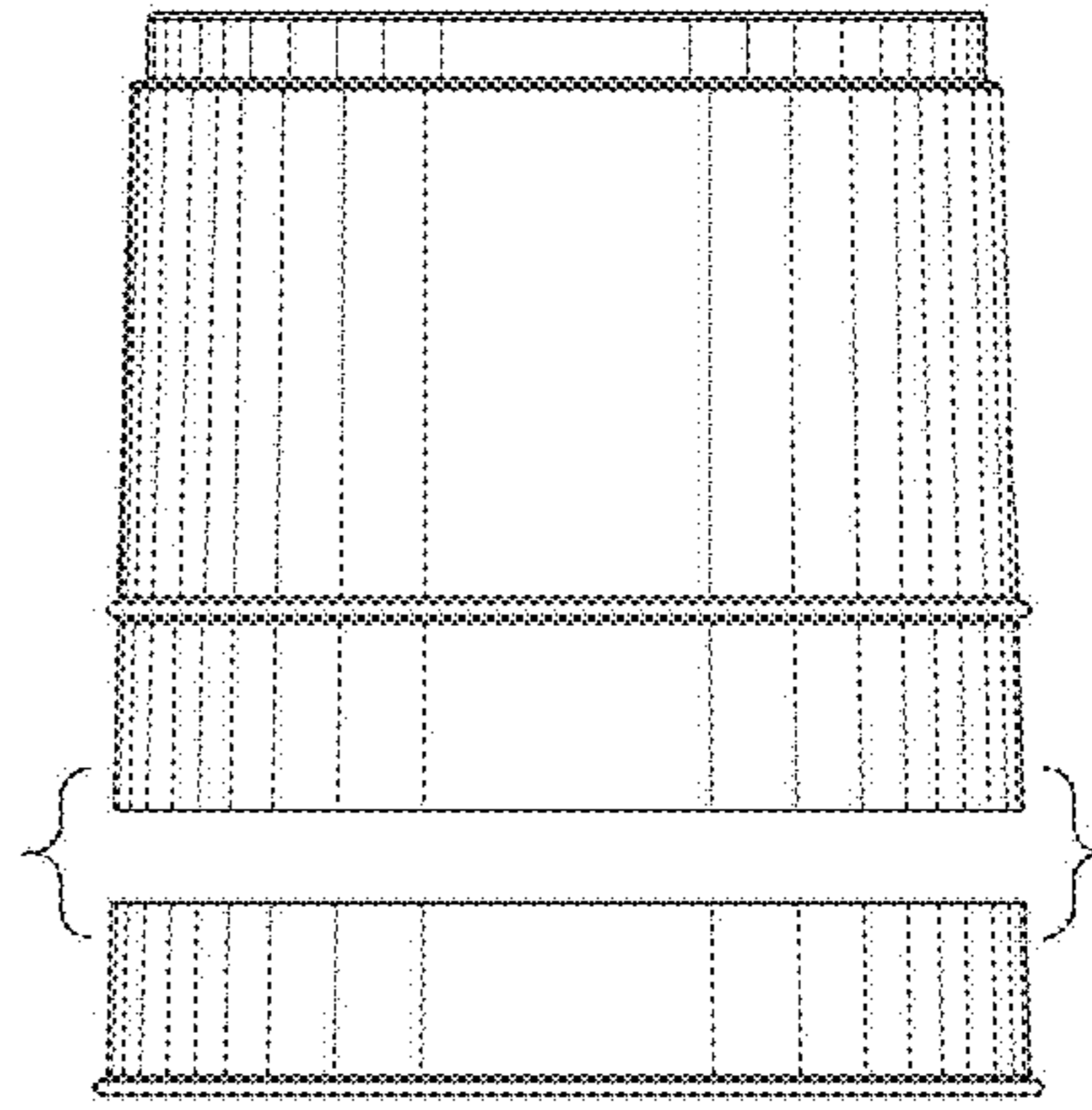


FIG. 8

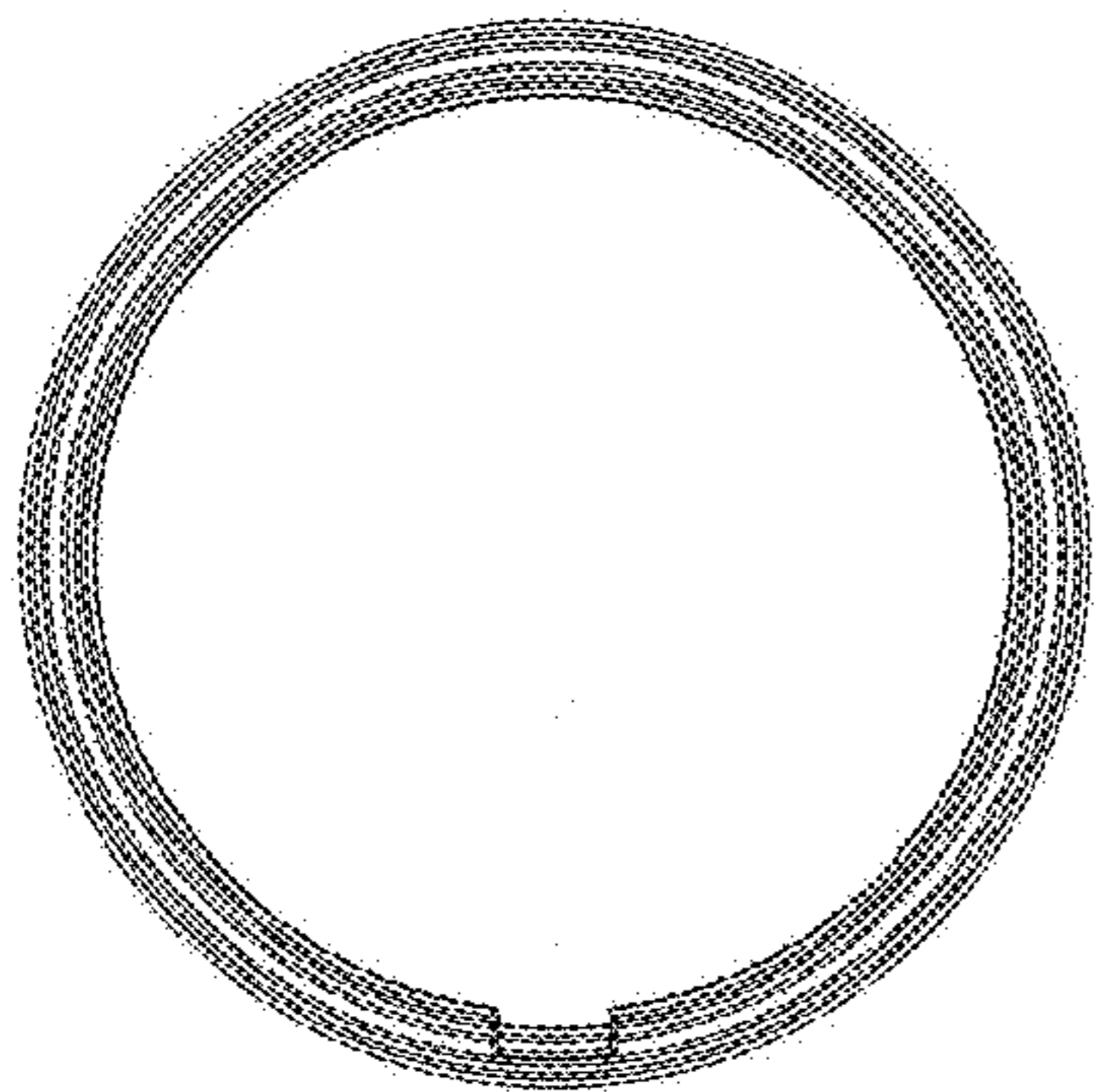


FIG. 9

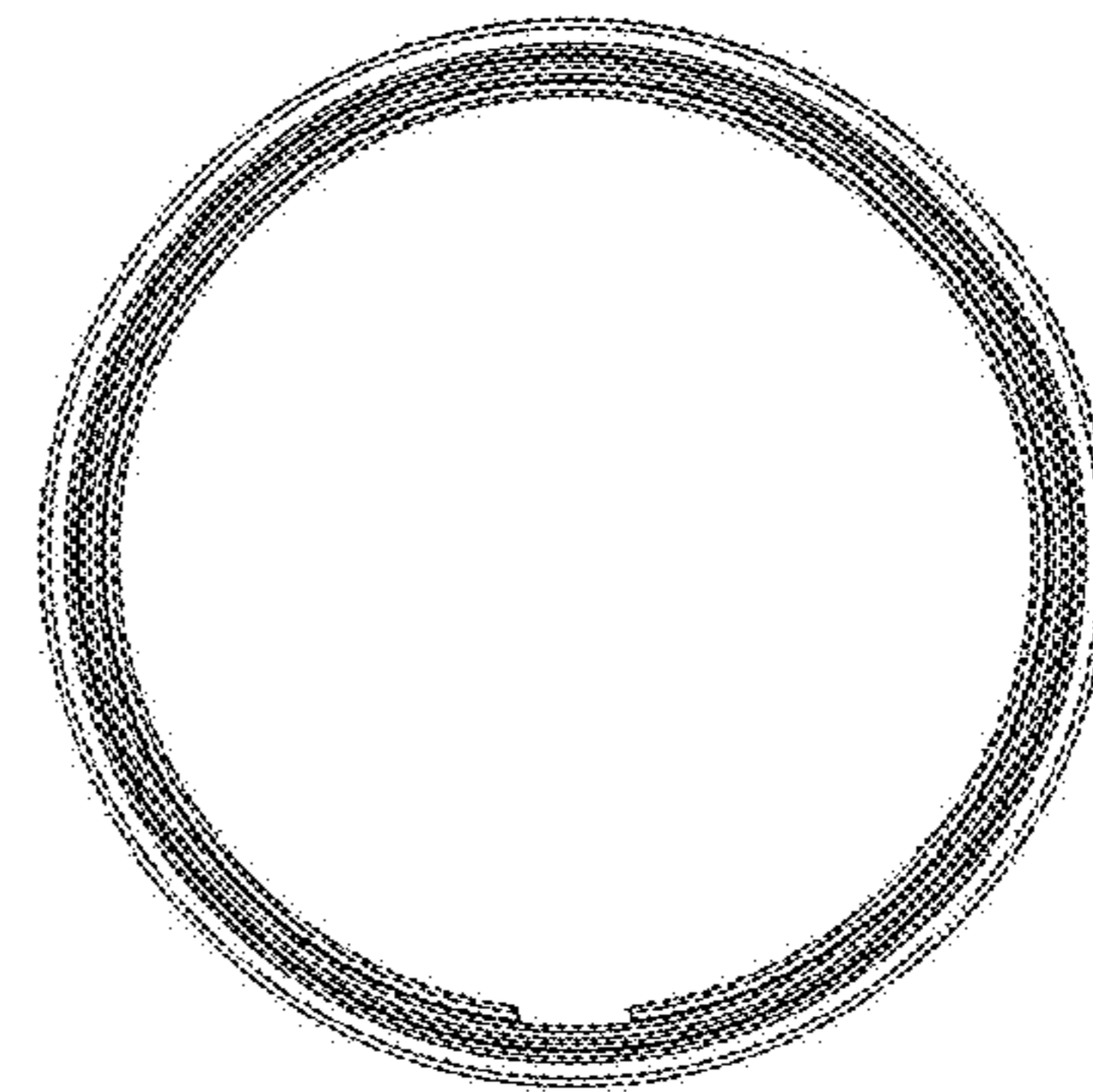


FIG. 10