



US00D860719S

(12) **United States Design Patent** (10) **Patent No.:** **US D860,719 S**
Eyal (45) **Date of Patent:** **** Sep. 24, 2019**

(54) **BEVERAGE CONTAINER LID**
(71) Applicant: **ETS EXPRESS, INC.**, Oxnard, CA (US)
(72) Inventor: **Sharon Eyal**, Oxnard, CA (US)
(73) Assignee: **ETS EXPRESS, INC.**, Oxnard, CA (US)
(**) Term: **15 Years**

D458,134 S * 6/2002 Berish D9/443
D568,740 S * 5/2008 Williams D9/436
D572,585 S * 7/2008 Perrin D9/443
D616,744 S * 6/2010 Cresswell D9/443
D620,798 S * 8/2010 Cresswell D9/443
D621,257 S * 8/2010 Gullickson D9/443
D631,666 S * 2/2011 Lim D4/129
D635,457 S * 4/2011 Lane D7/511
D656,840 S * 4/2012 Tacconi D9/443
D657,196 S * 4/2012 Beyers, III D7/513
D664,809 S * 8/2012 Eyal D7/510

(Continued)

(21) Appl. No.: **29/654,043**
(22) Filed: **Jun. 20, 2018**
(51) **LOC (12) Cl.** **07-99**
(52) **U.S. Cl.**
USPC **D7/392.1; D9/443**
(58) **Field of Classification Search**
USPC D9/428, 429, 432, 434, 435, 436, 439,
D9/440, 443, 444, 445, 447, 449-455,
D9/499, 500, 503, 504, 705, 446;
D7/317, 387, 391, 392, 392.1, 393, 396.1,
D7/396.2, 509-511, 538, 900, 543, 545,
D7/547, 600, 600.1, 601, 619.1, 622, 709;
D3/202, 203.2, 294, 302, 318, 240;
D28/91
CPC .. A61J 1/00; A61J 1/1412; B65D 1/00; B65D
1/02; B65D 1/10; B65D 1/46; B65D
2585/56; B65D 2585/545; B65D 41/00;
B65D 41/38; B65D 41/56; B65D 41/62;
B65D 47/00; B65D 47/06; B65D 47/08;
B65D 2543/00046; B65D 2543/00092;
B65D 2543/00296; B65D 5/46; B65D
2251/00; B65D 23/10; B65D 23/104
See application file for complete search history.

OTHER PUBLICATIONS

Ets express "h2go nnarino" (online) posted May 2019. Retrieved from Internet on May 9, 2019; URL: https://etsexpress.com/pg_product_detail?id=23244 (3 pages).*

Primary Examiner — Michael A. Pratt
Assistant Examiner — Wendy L Arminio
(74) *Attorney, Agent, or Firm* — Kleinberg & Lerner, LLP; Marvin H. Kleinberg; Marshall A. Lerner

(57) **CLAIM**

The ornamental design for a beverage container lid, as shown and described.

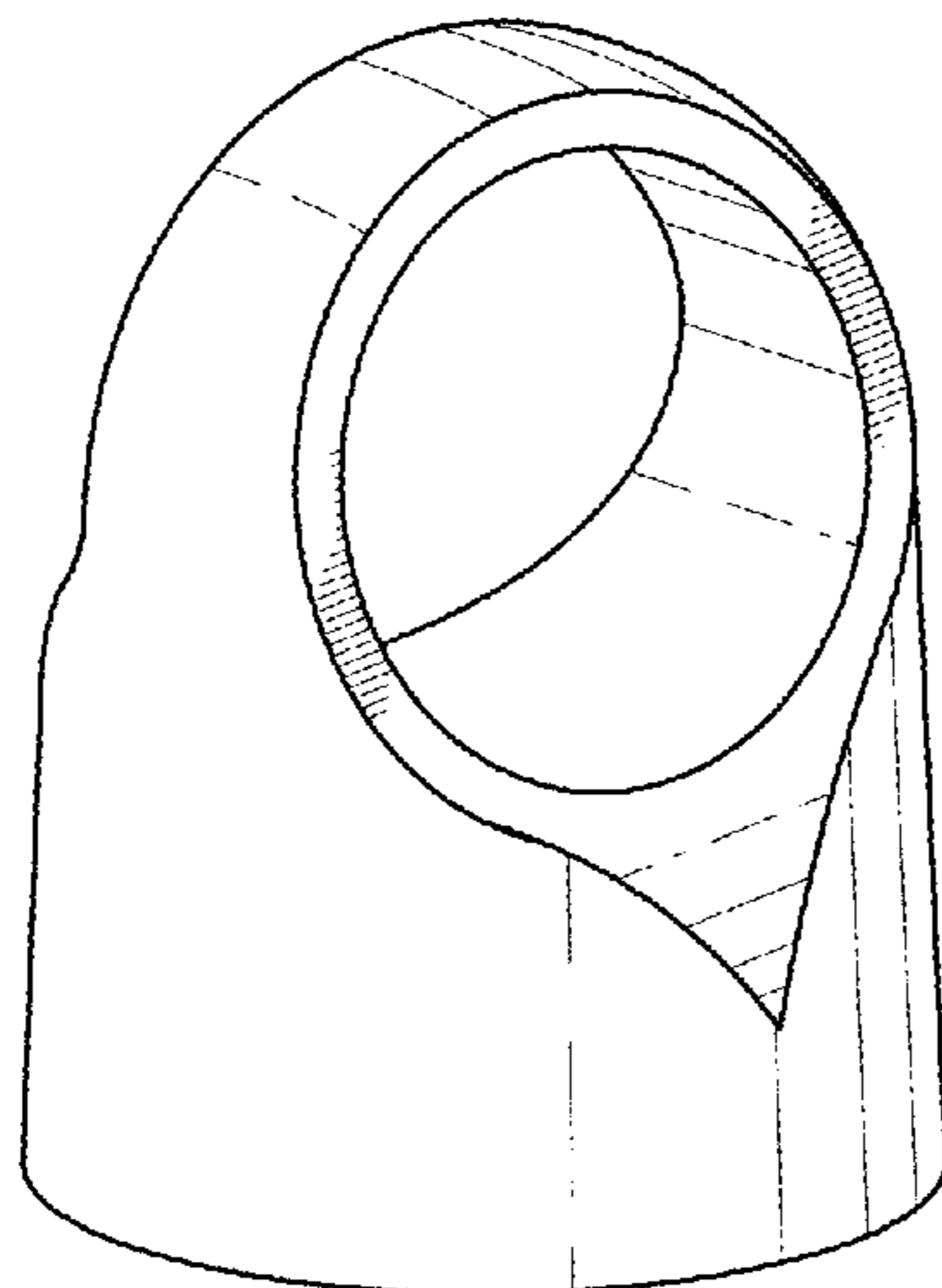
DESCRIPTION

FIG. 1 is a top perspective view of a beverage container lid showing my new design;
FIG. 2 is a front view thereof;
FIG. 3 is a rear view thereof;
FIG. 4 is a right side view thereof;
FIG. 5, is a left side view thereof;
FIG. 6 is a top view of thereof; and,
FIG. 7 is a bottom view thereof.
In FIG. 7 the innermost solid line forms the boundary of the claim. The broken lines and unshaded areas depict portions of the beverage container lid that form no part of the claimed design.

(56) **References Cited**
U.S. PATENT DOCUMENTS

D438,354 S * 2/2001 Cann D32/35
D454,066 S * 3/2002 Trabal D9/443
D458,133 S * 6/2002 Berish D9/443

1 Claim, 3 Drawing Sheets



(56)

References Cited

U.S. PATENT DOCUMENTS

D665,621 S *	8/2012	Eyal	D7/392.1
D679,995 S *	4/2013	Lee	D9/436
D705,544 S *	5/2014	Masalin	D4/129
D759,902 S *	6/2016	Kim	D29/125
D760,081 S *	6/2016	Berge	D9/447
D786,671 S *	5/2017	Khetarpaul	D7/394
D796,261 S *	9/2017	Khalifa	D7/392.1
D804,304 S *	12/2017	Pearson	D9/443
D847,630 S *	5/2019	Cotan	D9/439

* cited by examiner

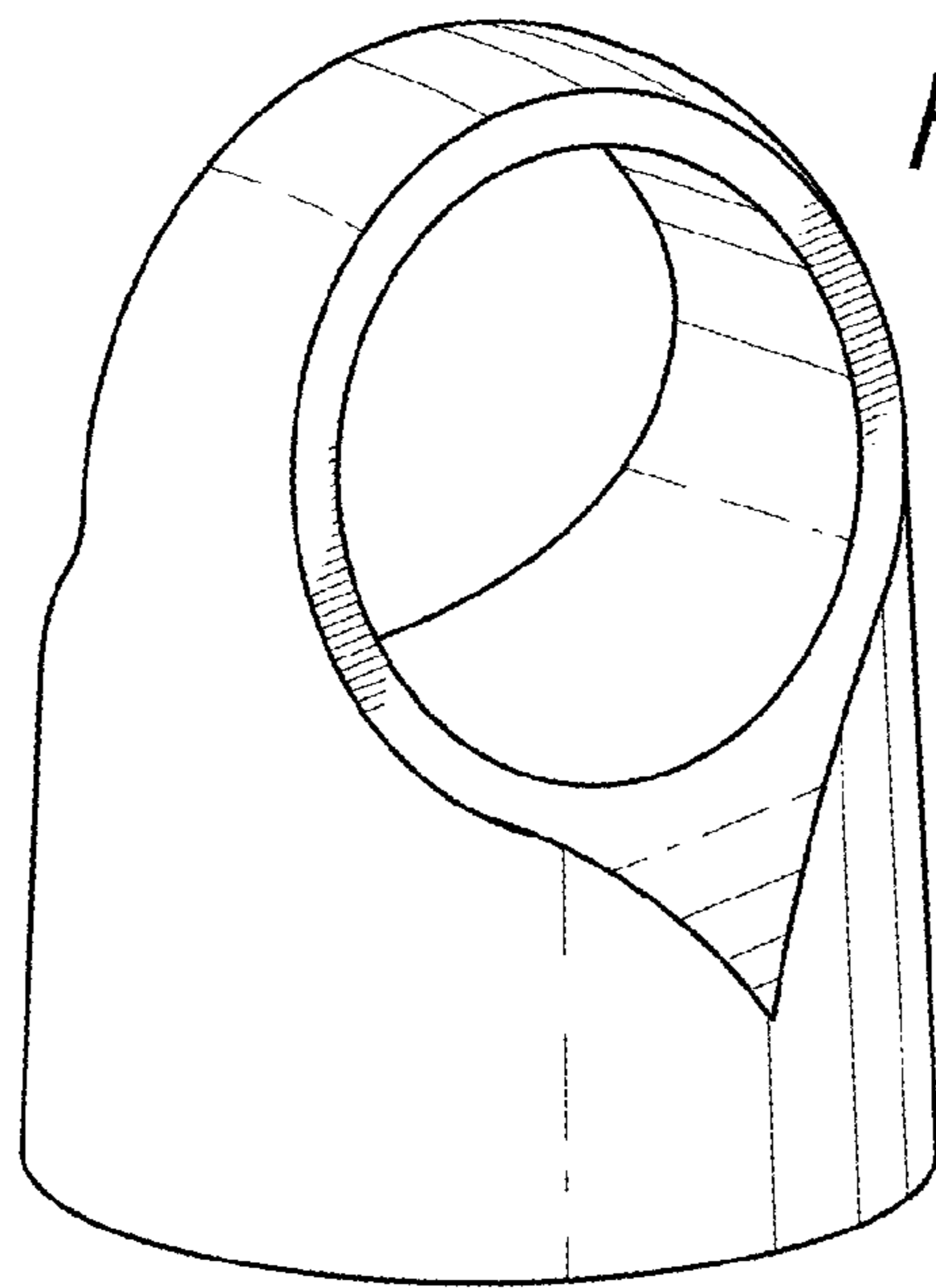


FIG. 1

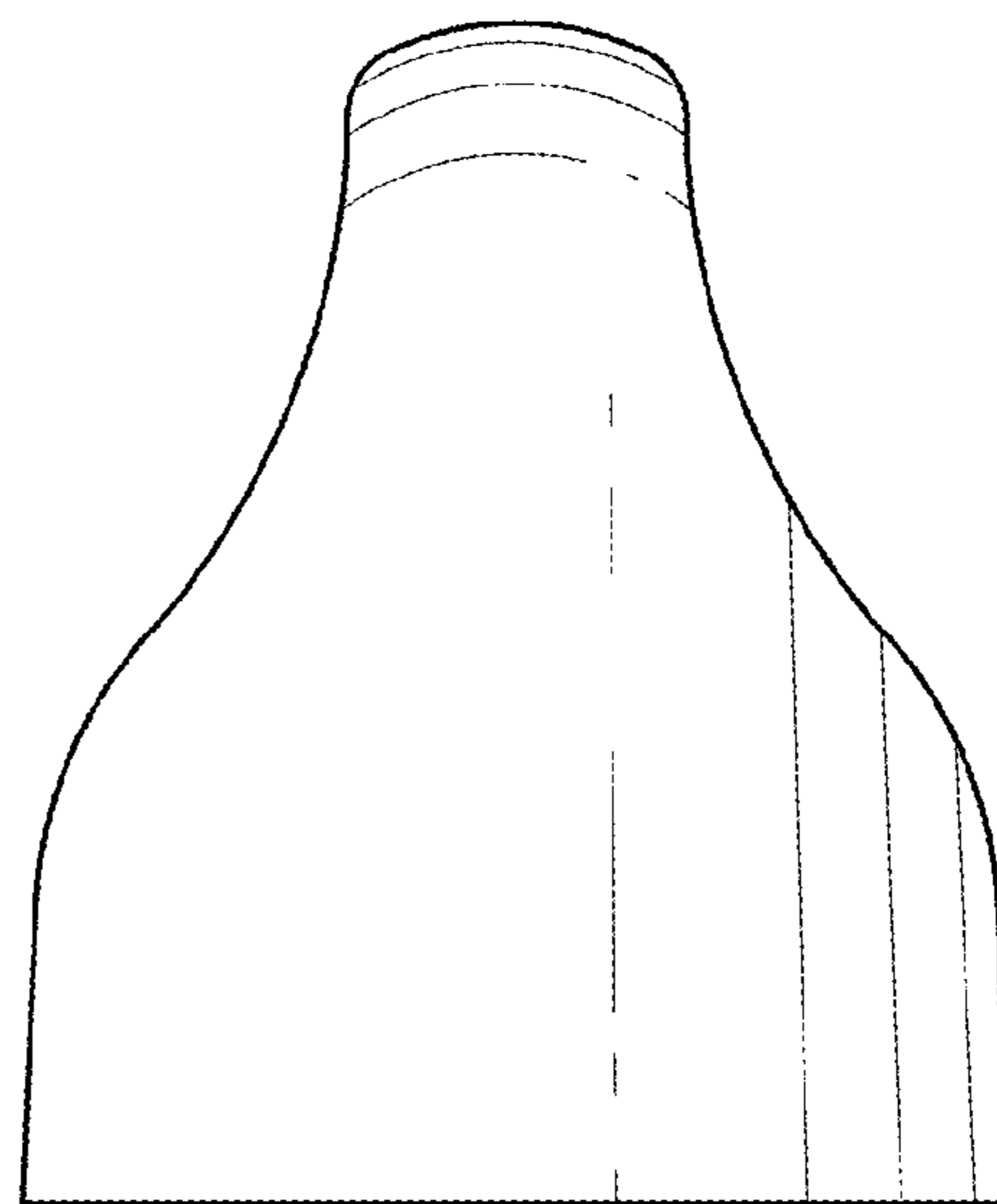


FIG. 2

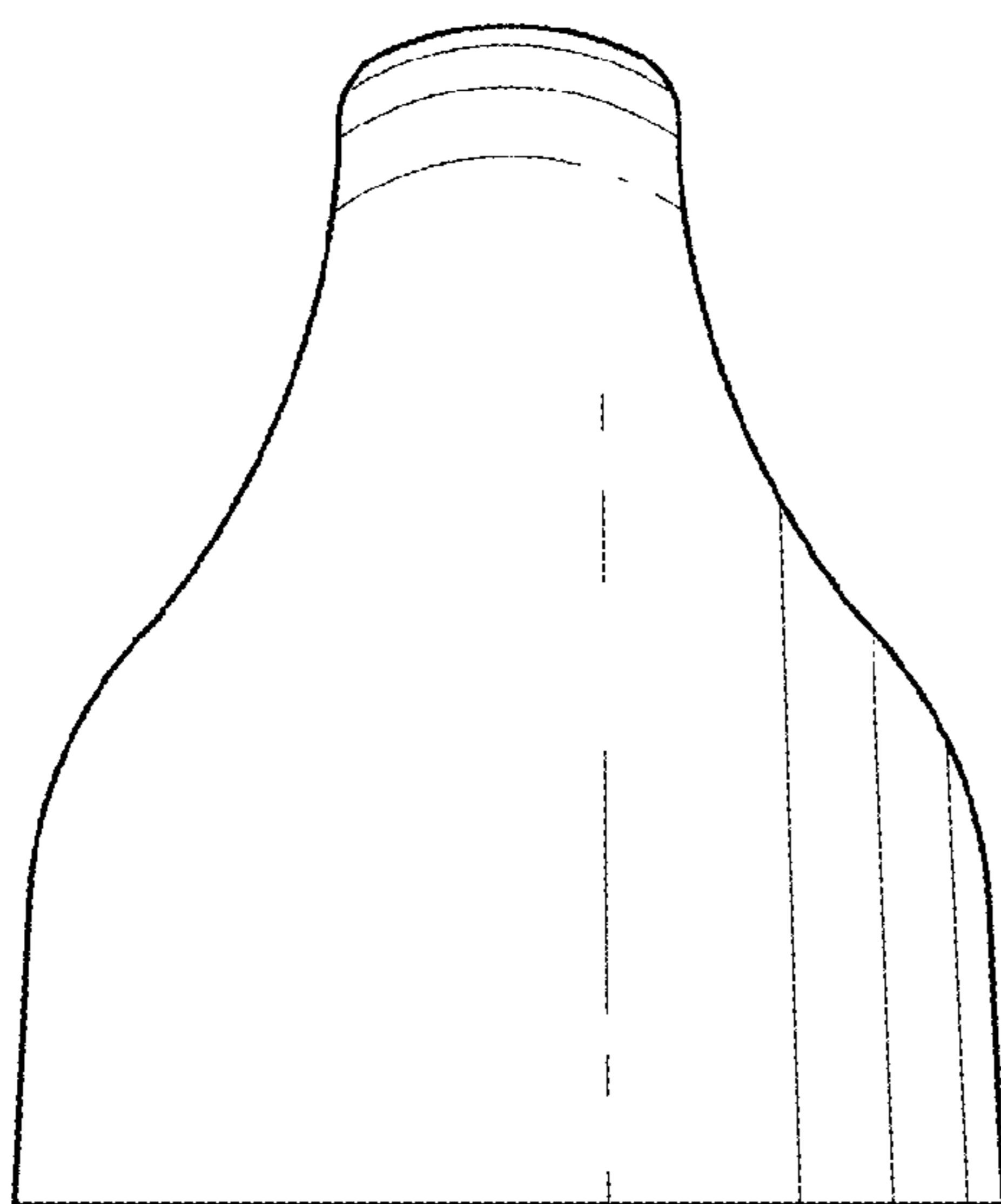


FIG. 3

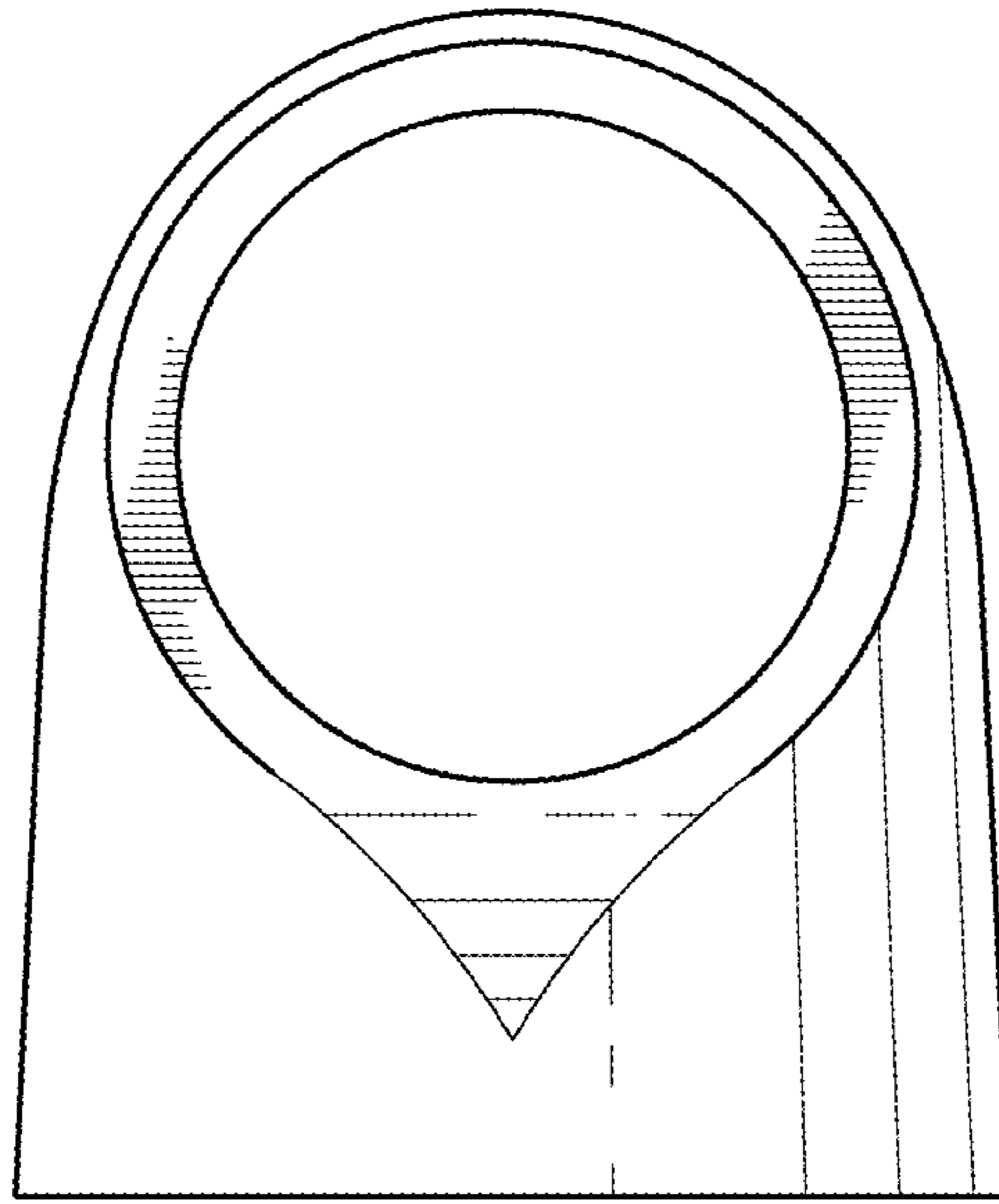


FIG. 4

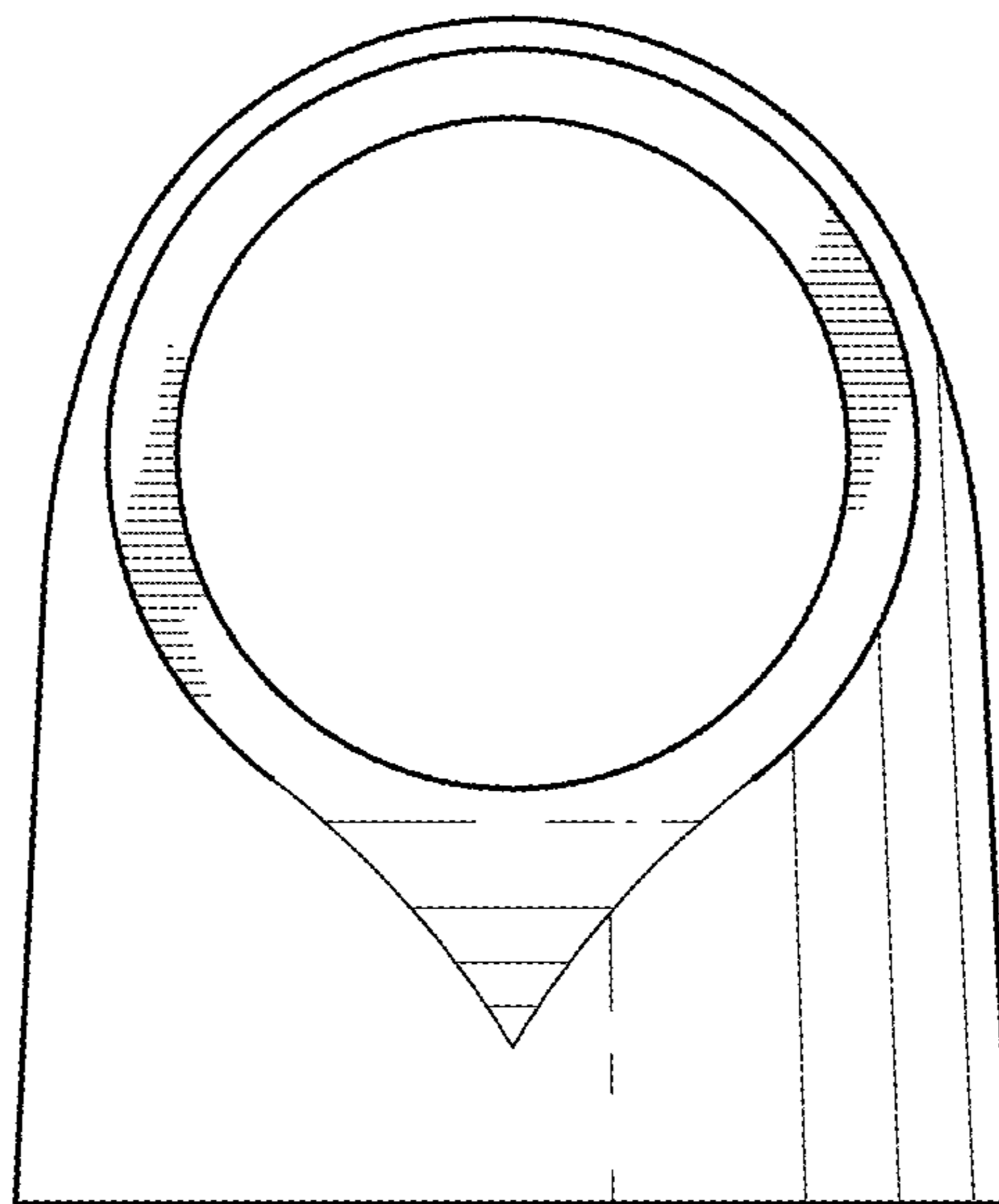


FIG. 5

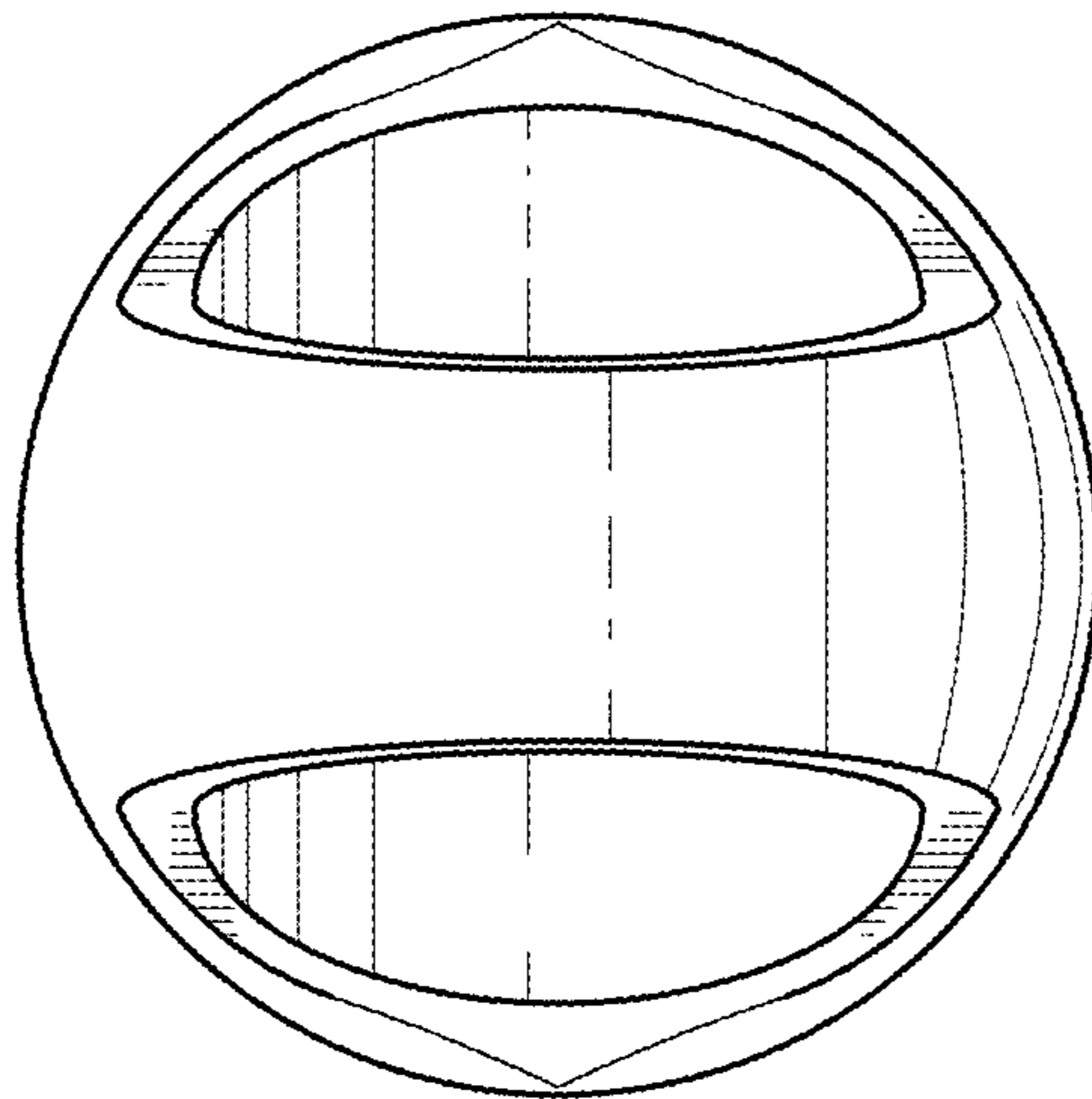


FIG. 6

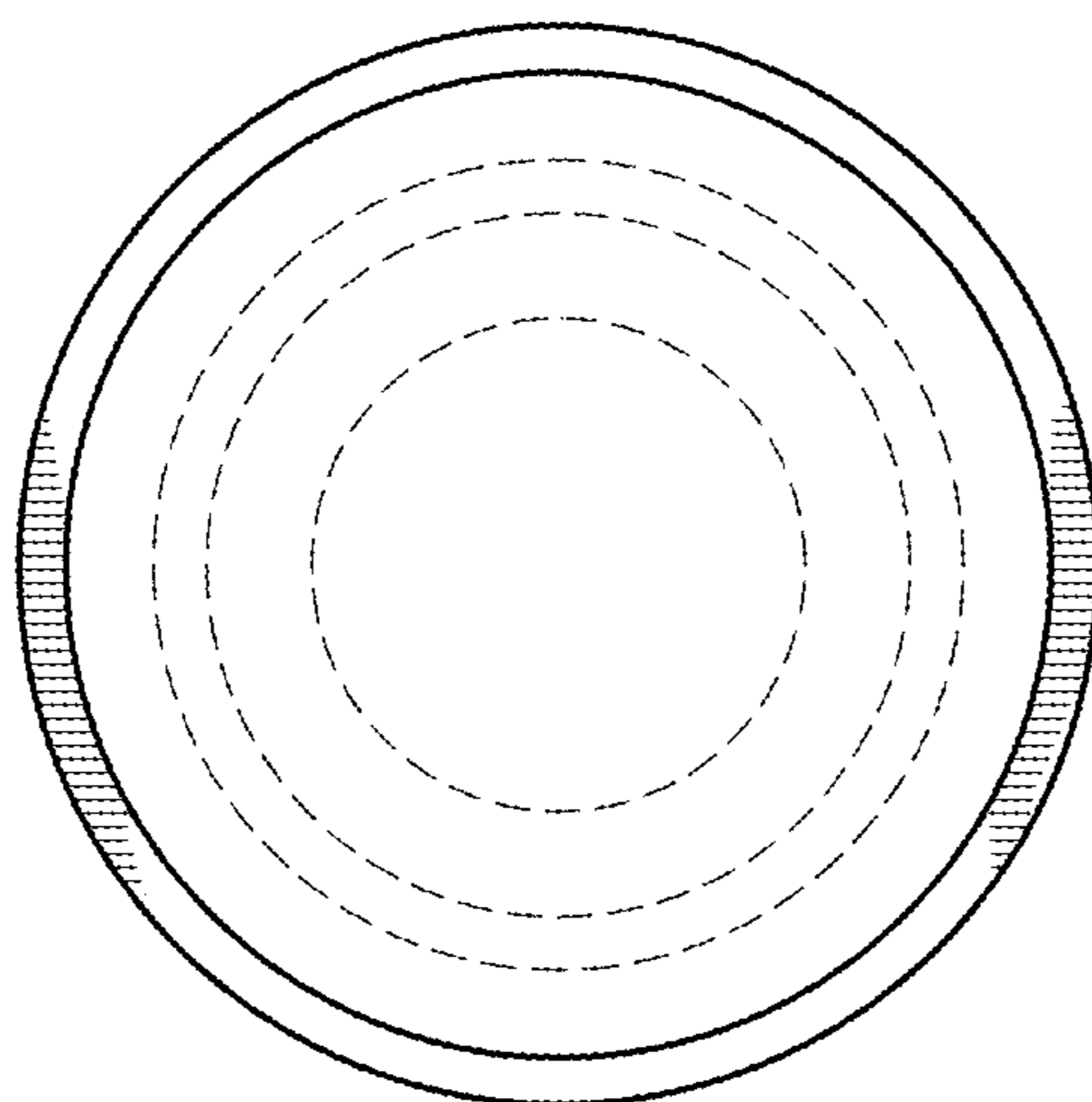


FIG. 7