

US00D860718S

(12) **United States Design Patent** (10) **Patent No.:** **US D860,718 S**
Eyal (45) **Date of Patent:** **** Sep. 24, 2019**

(54) **BEVERAGE CONTAINER LID**
(71) Applicant: **ETS EXPRESS, INC.**, Oxnard, CA (US)
(72) Inventor: **Sharon Eyal**, Oxnard, CA (US)
(73) Assignee: **ETS EXPRESS, INC.**, Oxnard, CA (US)
(**) Term: **15 Years**

D448,971 S * 10/2001 Hughes D7/392.1
D620,357 S * 7/2010 Jewett D9/443
D627,594 S * 11/2010 Boonprasop D7/392.1
D672,238 S * 12/2012 Aziz D7/510
D682,692 S * 5/2013 Adjeleian D9/439
D730,192 S * 5/2015 Zwettler D9/428
D735,578 S * 8/2015 Mazurkiewicz D9/443
D787,935 S * 5/2017 Kaiser D9/435
D803,683 S * 11/2017 Coey D9/436
D809,384 S * 2/2018 Best D9/443
D811,818 S * 3/2018 Wu D7/510
D812,428 S * 3/2018 Wu D7/510

(Continued)

(21) Appl. No.: **29/654,038**

(22) Filed: **Jun. 20, 2018**

(51) **LOC (12) Cl.** **07-99**

(52) **U.S. Cl.**
USPC **D7/392.1; D9/443**

(58) **Field of Classification Search**
USPC D9/428, 429, 432, 434, 435, 436, 439, D9/440, 443, 444, 445, 447, 449-455, D9/499, 500, 503, 504, 705, 446; D7/317, 387, 391, 392, 392.1, 393, 396.1, D7/396.2, 509-511, 538, 900, 543, 545, D7/547, 600, 600.1, 601, 619.1, 622, 709; D3/202, 203.2, 294, 302, 318, 240; D28/91

CPC .. A61J 1/00; A61J 1/1412; B65D 1/00; B65D 1/02; B65D 1/10; B65D 1/46; B65D 2585/56; B65D 2585/545; B65D 41/00; B65D 41/38; B65D 41/56; B65D 41/62; B65D 47/00; B65D 47/06; B65D 47/08; B65D 2543/00046; B65D 2543/00092; B65D 2543/00296; B65D 5/46; B65D 2251/00; B65D 23/10; B65D 23/104

See application file for complete search history.

(56) **References Cited**

U.S. PATENT DOCUMENTS

259,418 A * 6/1882 Norris B65D 47/0814 215/235
D342,903 S * 1/1994 Ricci D9/439

OTHER PUBLICATIONS

Ets express "h2go dj" (online) dated May 2019. Retrieved from Internet on May 9, 2019, URL: https://etsexpress.com/pg_product_detail?id=26141 (3 pages).*

Primary Examiner — Michael A. Pratt
Assistant Examiner — Wendy L Arminio
(74) *Attorney, Agent, or Firm* — Kleinberg & Lerner, LLP; Marvin H. Kleinberg; Marshall A. Lerner

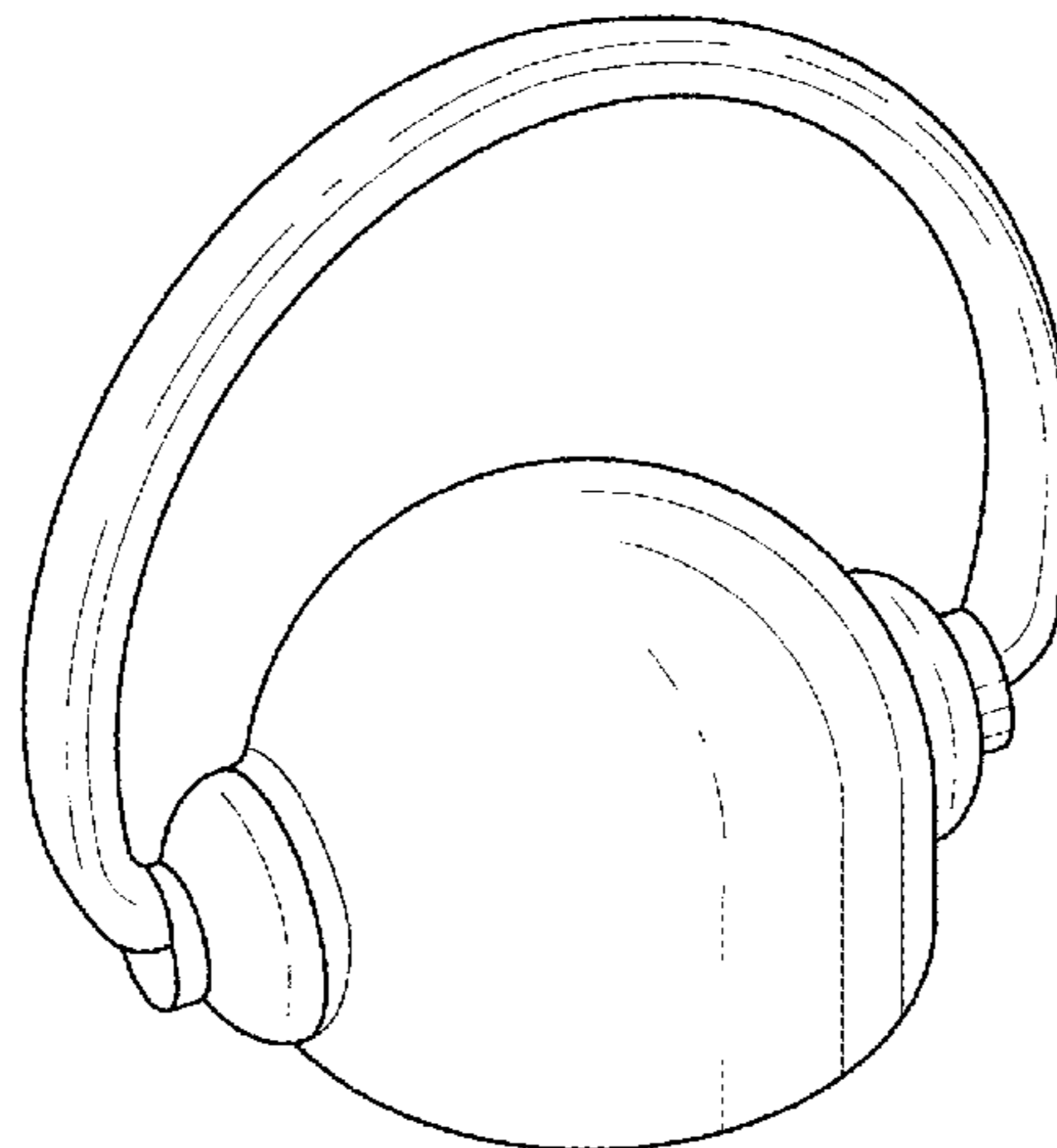
(57) **CLAIM**

The ornamental design for a beverage container lid, as shown and described.

DESCRIPTION

FIG. 1 is a top perspective view of a beverage container lid showing my new design;
FIG. 2 is a front view thereof;
FIG. 3 is a rear view thereof;
FIG. 4 is a right side view thereof;
FIG. 5, is a left side view thereof;
FIG. 6 is a top view of thereof; and,
FIG. 7 is a bottom view thereof.
The broken line and the space within the broken line in FIG. 7 depict portions of the beverage container lid that form no part of the claimed design.

1 Claim, 3 Drawing Sheets



(56)

References Cited

U.S. PATENT DOCUMENTS

D831,426 S * 10/2018 Best D7/511
D840,748 S * 2/2019 Lv D7/392.1
2011/0042342 A1* 2/2011 Adjeleian B65D 39/0035
215/355

* cited by examiner

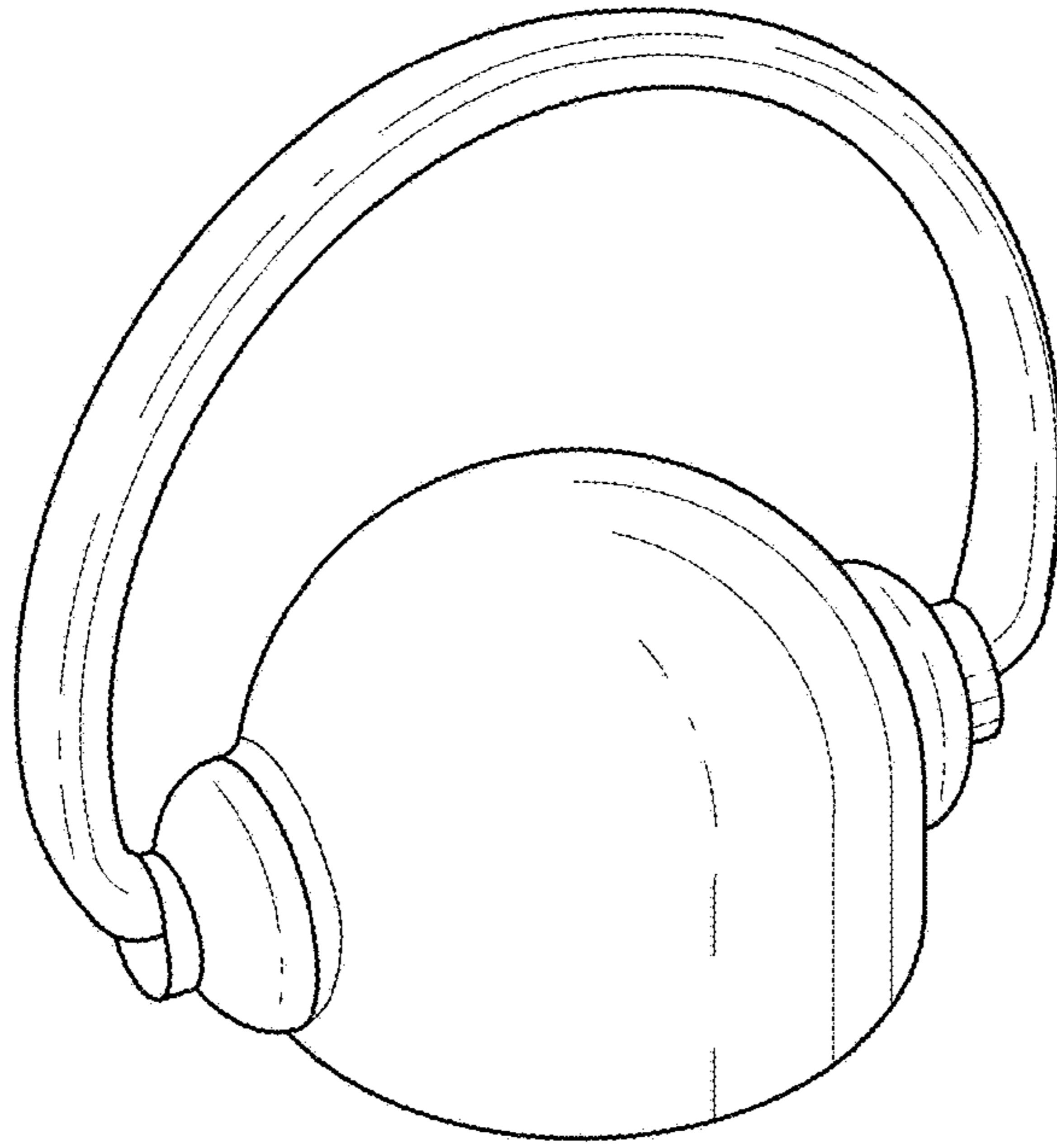


FIG. 1

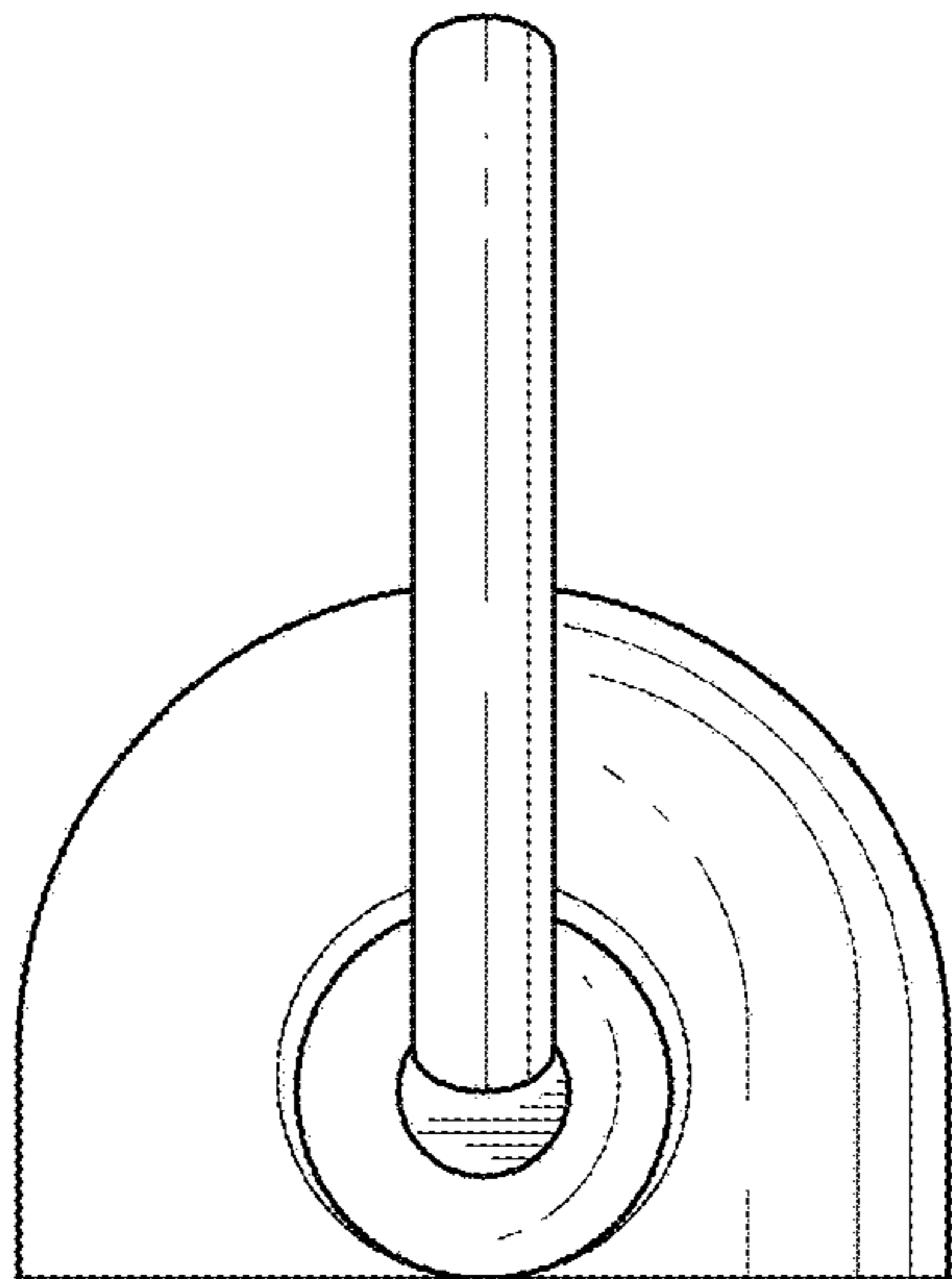


FIG. 2

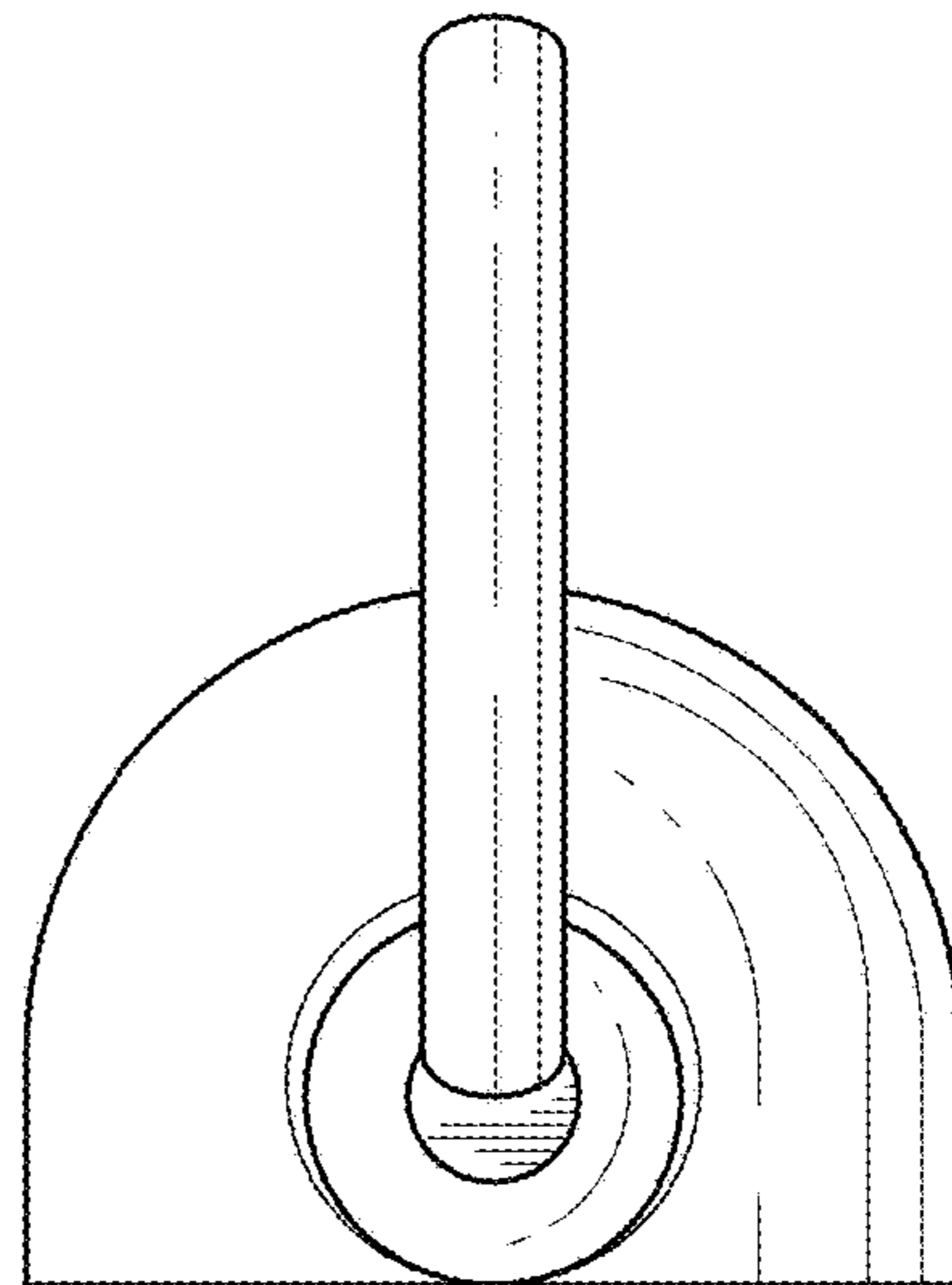


FIG. 3

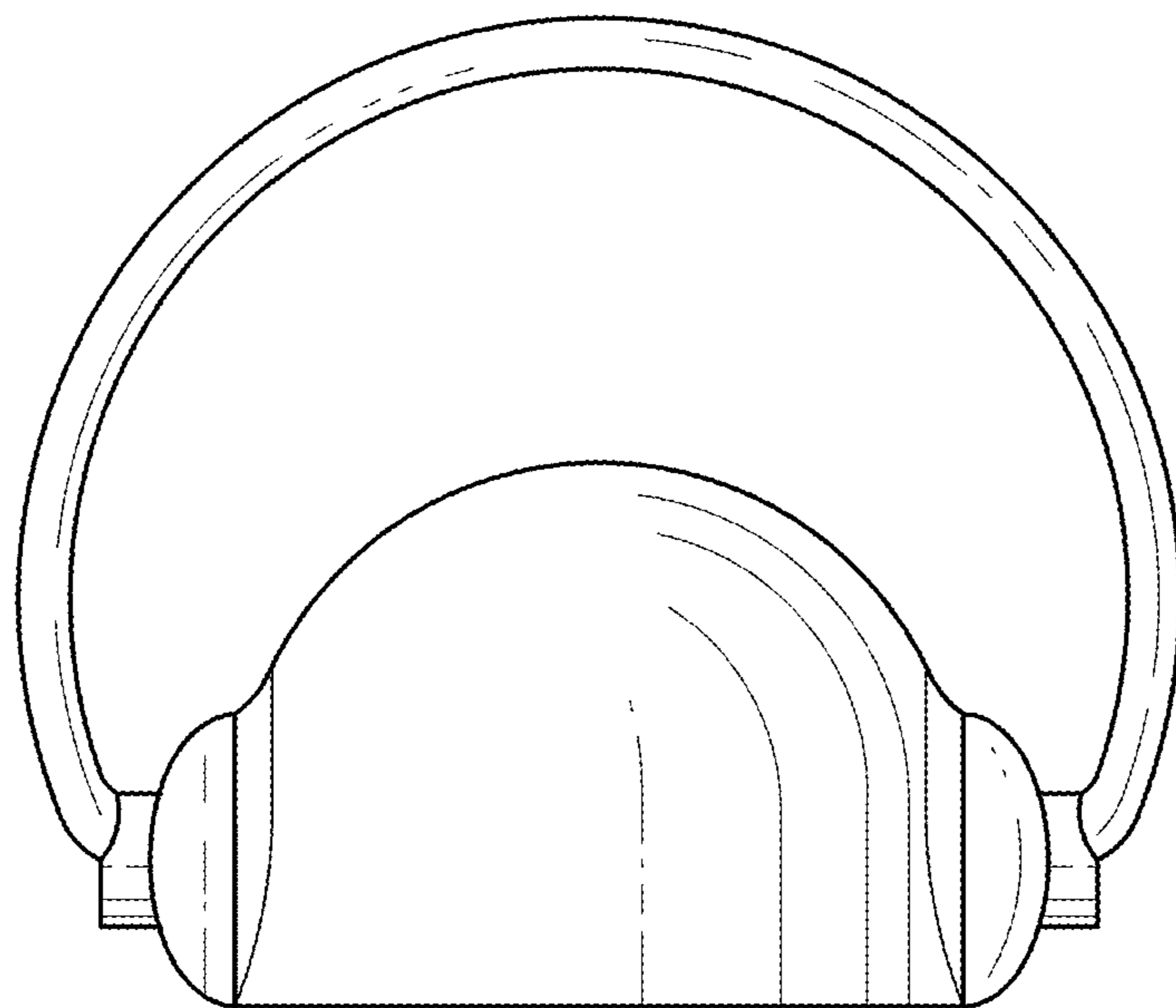


FIG. 4

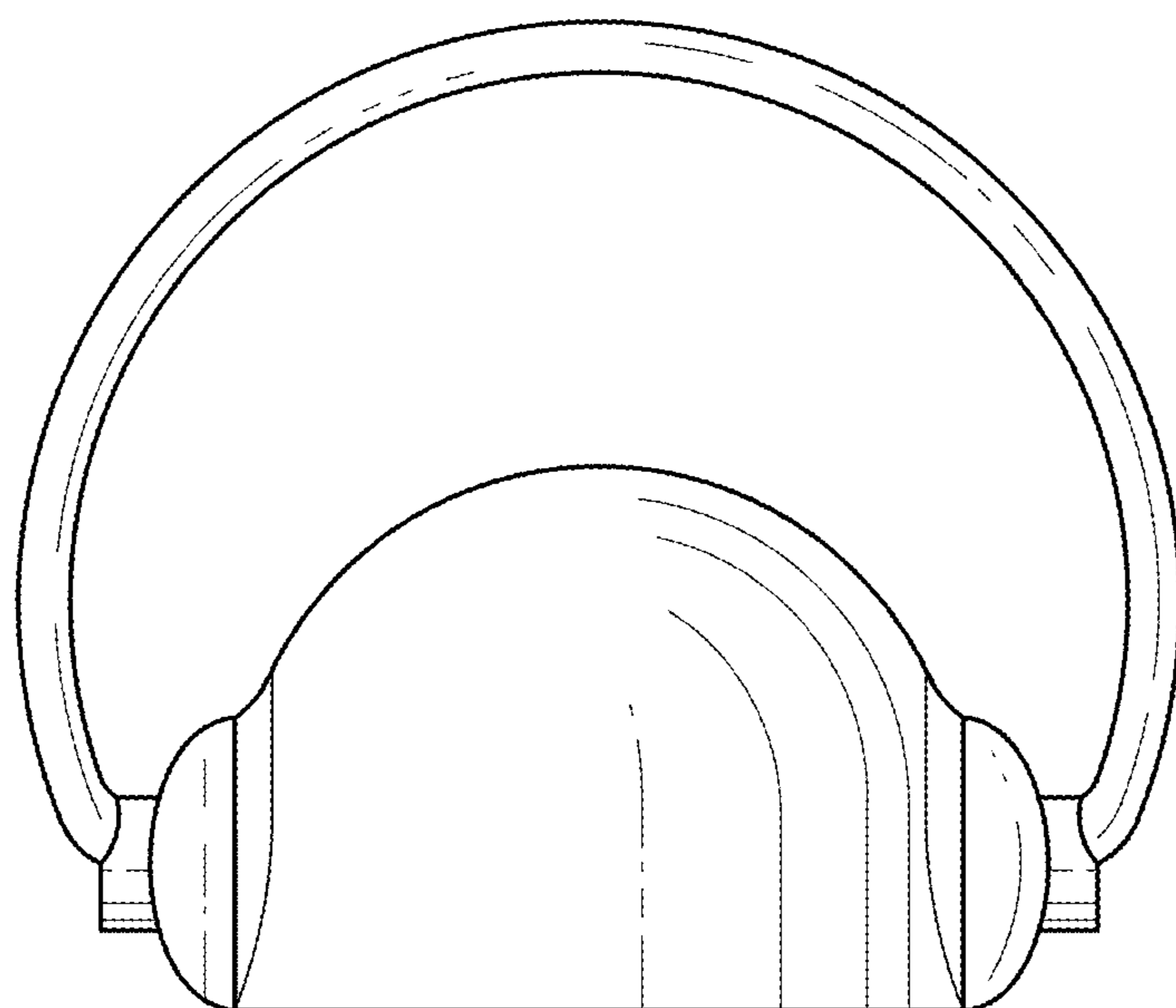


FIG. 5

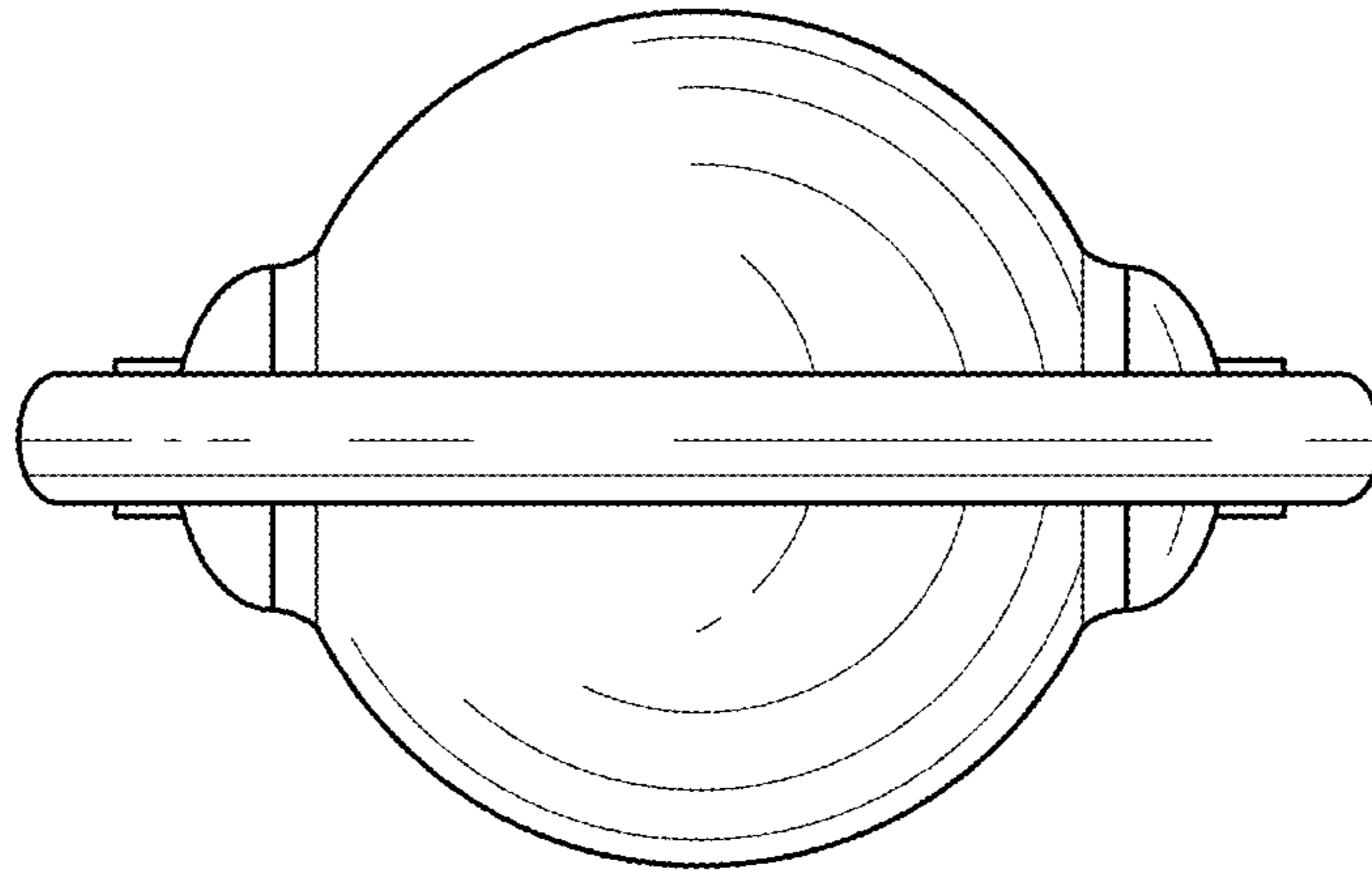


FIG. 6

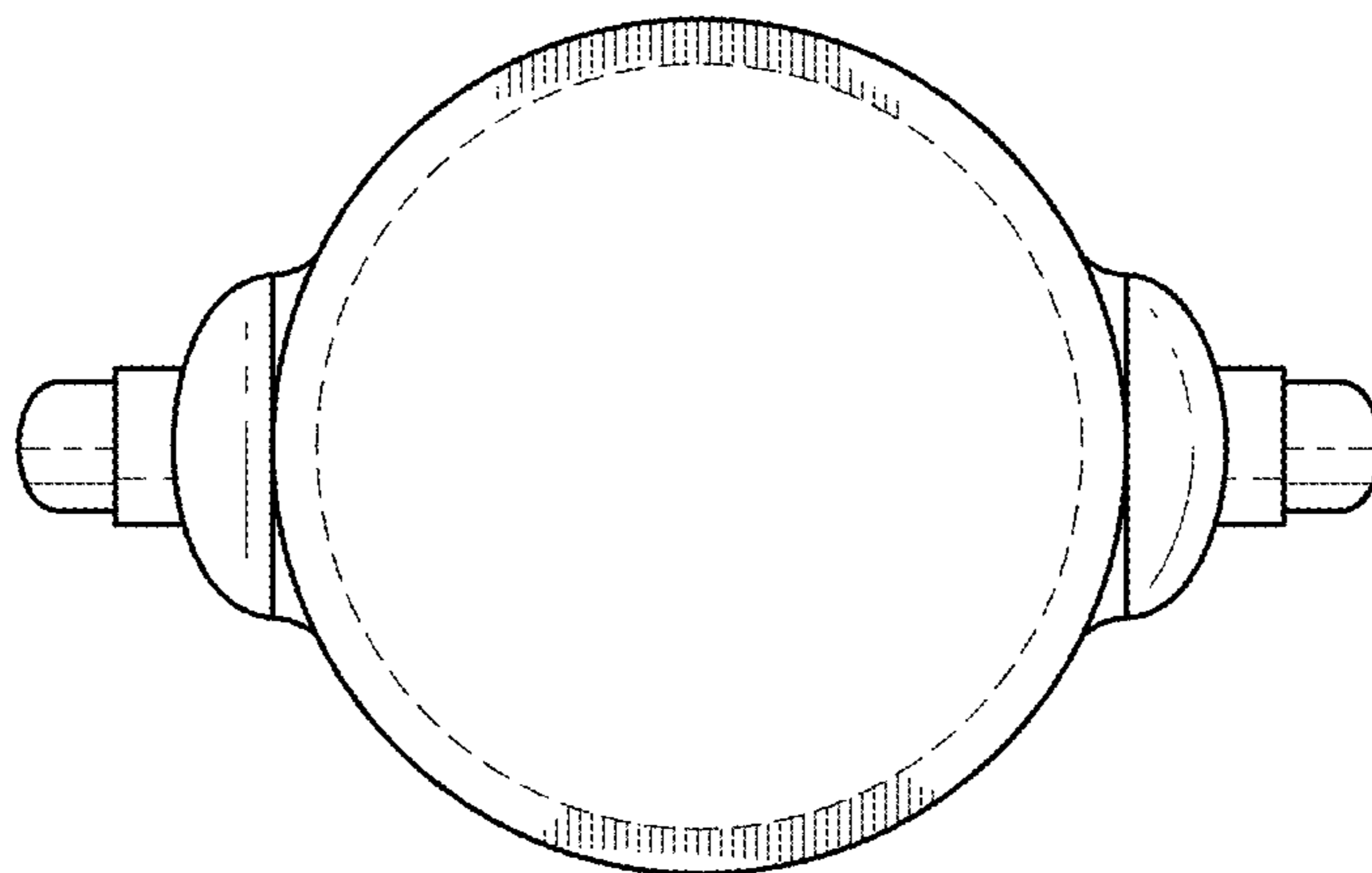


FIG. 7