



US00D860717S

(12) **United States Design Patent** (10) **Patent No.:** **US D860,717 S**
Barber (45) **Date of Patent:** **** Sep. 24, 2019**

(54) **LID FOR A CONTAINER**
(71) Applicant: **BRADSHAW INTERNATIONAL, INC.**, Rancho Cucamonga, CA (US)
(72) Inventor: **Tom Barber**, Manhattan Beach, CA (US)
(73) Assignee: **BRADSHAW INTERNATIONAL, INC.**, Rancho Cucamonga, CA (US)

D821,136 S * 6/2018 Silsby D7/392.1
D821,137 S * 6/2018 Boroski D7/392.1
D826,631 S * 8/2018 Baron D7/392.1

(**) Term: **15 Years**

(21) Appl. No.: **29/638,713**

(22) Filed: **Feb. 28, 2018**

(51) **LOC (12) Cl.** **07-99**

(52) **U.S. Cl.**
USPC **D7/392.1; D9/443**

(58) **Field of Classification Search**
USPC D9/434-436, 438, 440, 443, 446, 447,
D9/449, 452, 454, 499; D7/387, 392,
D7/392.1, 394, 396.1, 396.2
CPC A45F 3/16; A45F 3/20; B65D 47/122;
B65D 47/066
See application file for complete search history.

(56) **References Cited**

U.S. PATENT DOCUMENTS

D281,584 S * 12/1985 Berglund D9/438
D308,828 S * 6/1990 Magnusson D9/438
D600,973 S * 9/2009 Lane D7/387
D626,837 S * 11/2010 Meyers D9/443
D760,027 S * 6/2016 Meyers D7/510
D792,742 S * 7/2017 Meyers D7/523
D820,038 S * 6/2018 Sorensen D7/392.1

OTHER PUBLICATIONS

Amazon. GoBottle 40247 Pick-a-Side. Dec. 15, 2017. <URL:https://amzn.to/2PFJMtW>. (Year: 2017).*

* cited by examiner

Primary Examiner — George D. Kirschbaum

Assistant Examiner — Darcey E Gottschalk

(74) *Attorney, Agent, or Firm* — Birch, Stewart, Kolasch & Birch, LLP

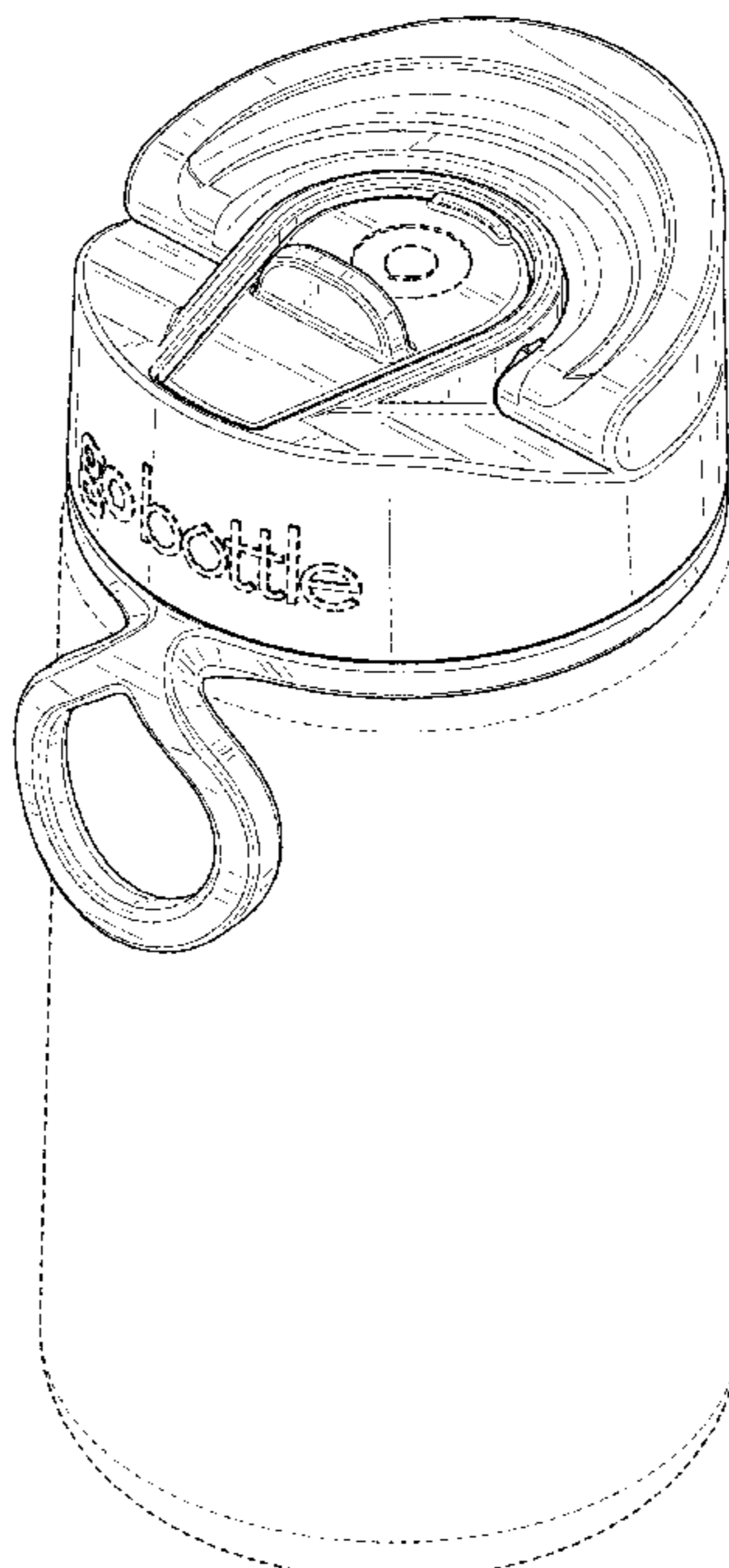
(57) **CLAIM**

The ornamental design for a lid for a container, as shown and described.

DESCRIPTION

FIG. 1 is a front, top, right perspective view of a lid for a container, showing my new design;
FIG. 2 is a front view thereof;
FIG. 3 is a rear view thereof;
FIG. 4 is a left side view thereof;
FIG. 5 is a right side view thereof;
FIG. 6 is a top plan view thereof; and,
FIG. 7 is a bottom plan view thereof.
The broken lines in the Figures are for the purpose of illustrating portions of the lid for a container and form no part of the claimed design.

1 Claim, 7 Drawing Sheets



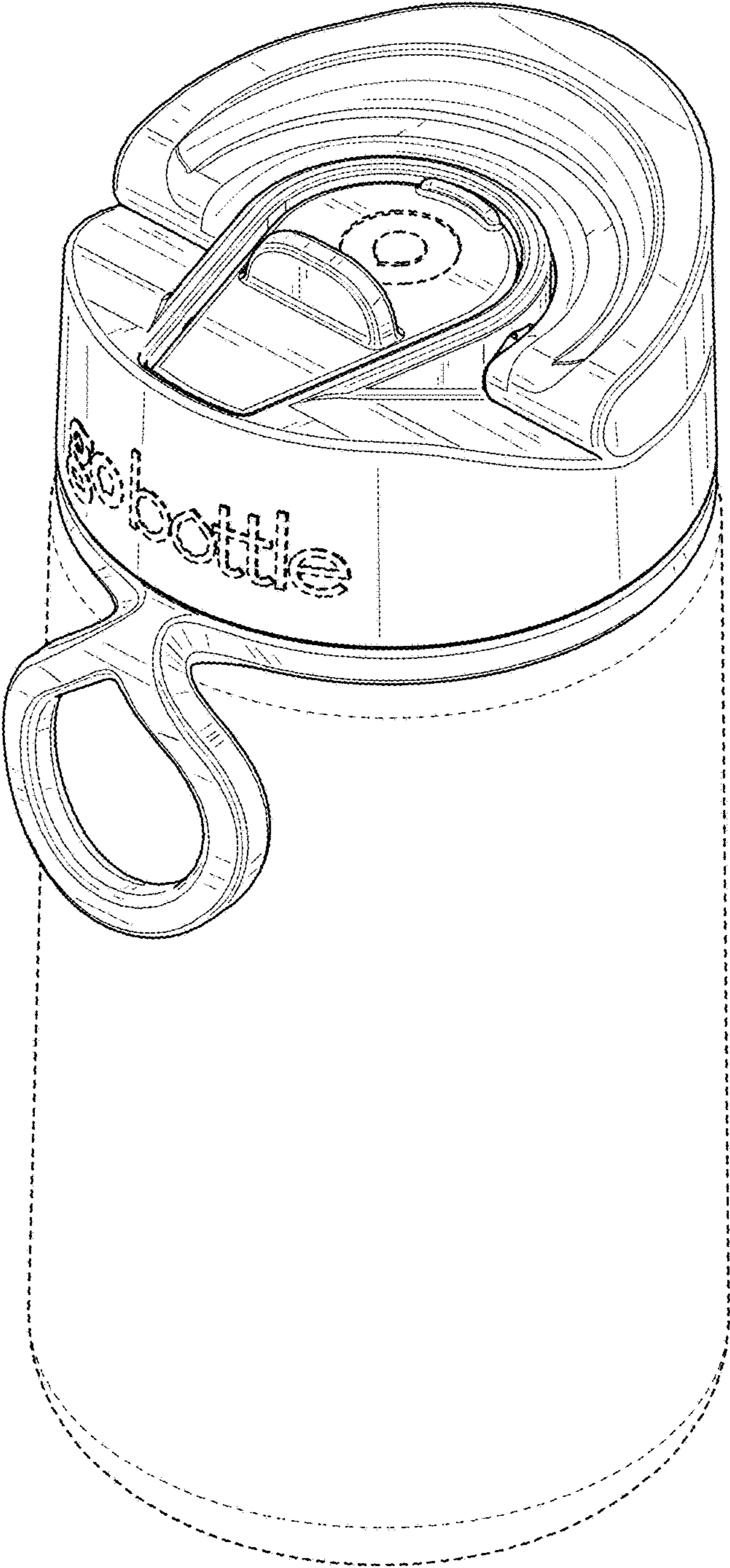


FIG. 1

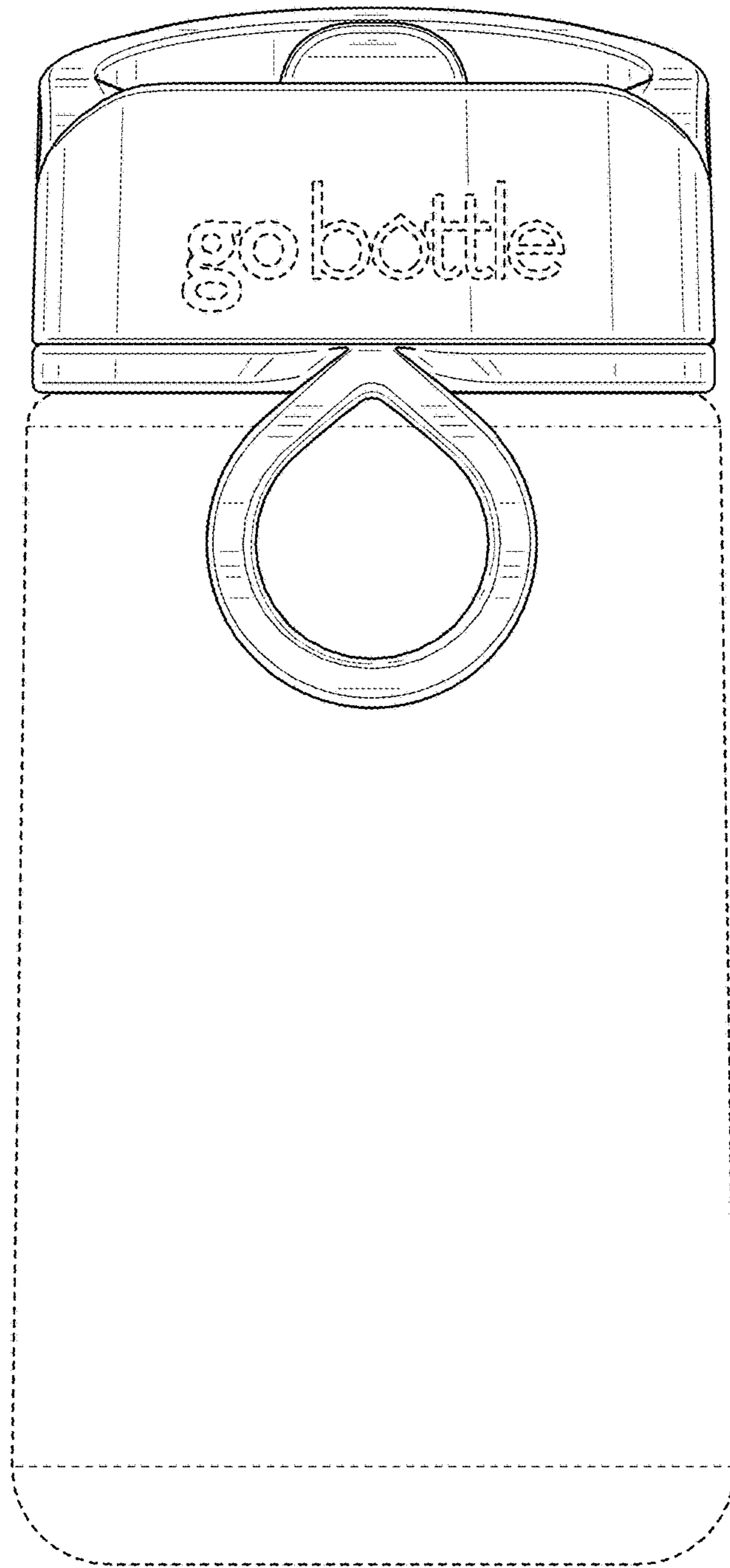


FIG. 2

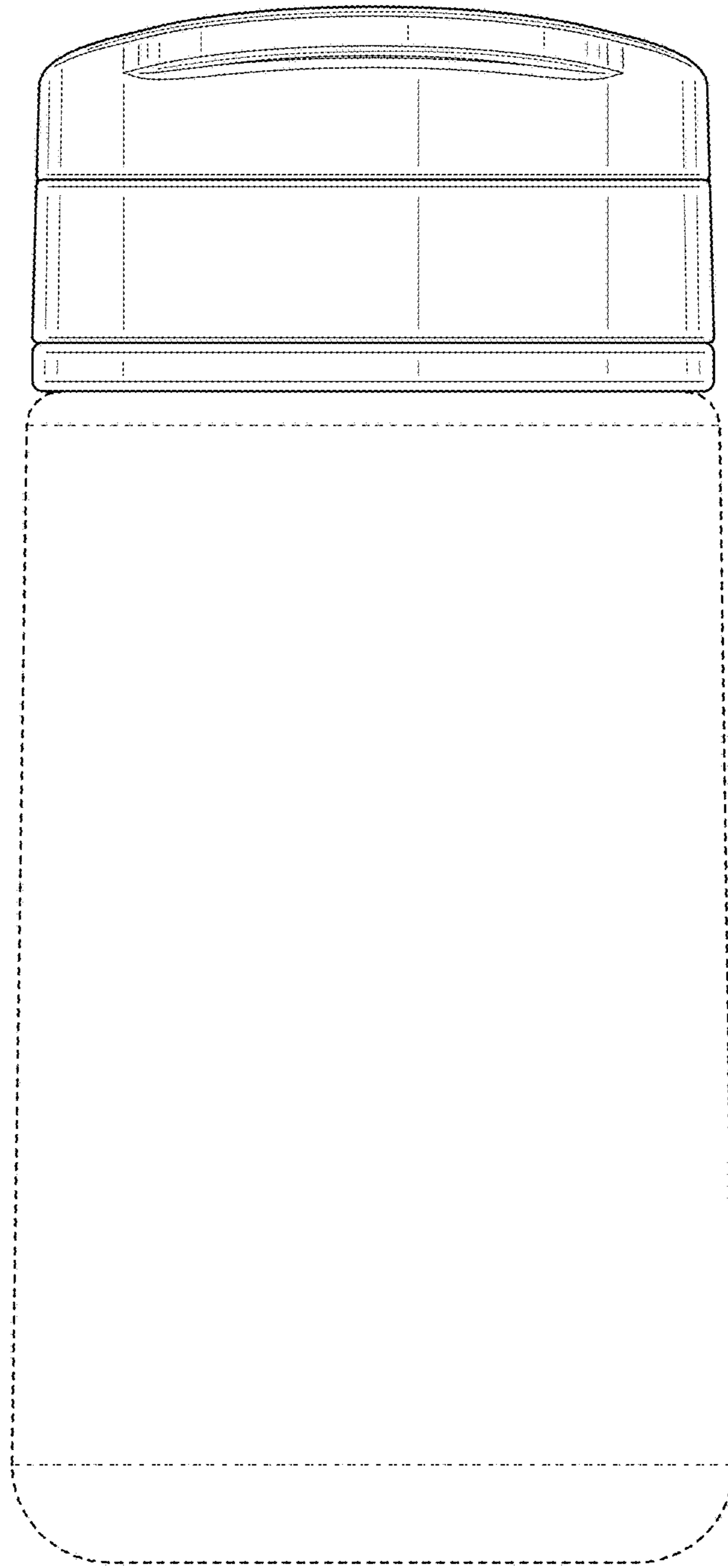


FIG. 3

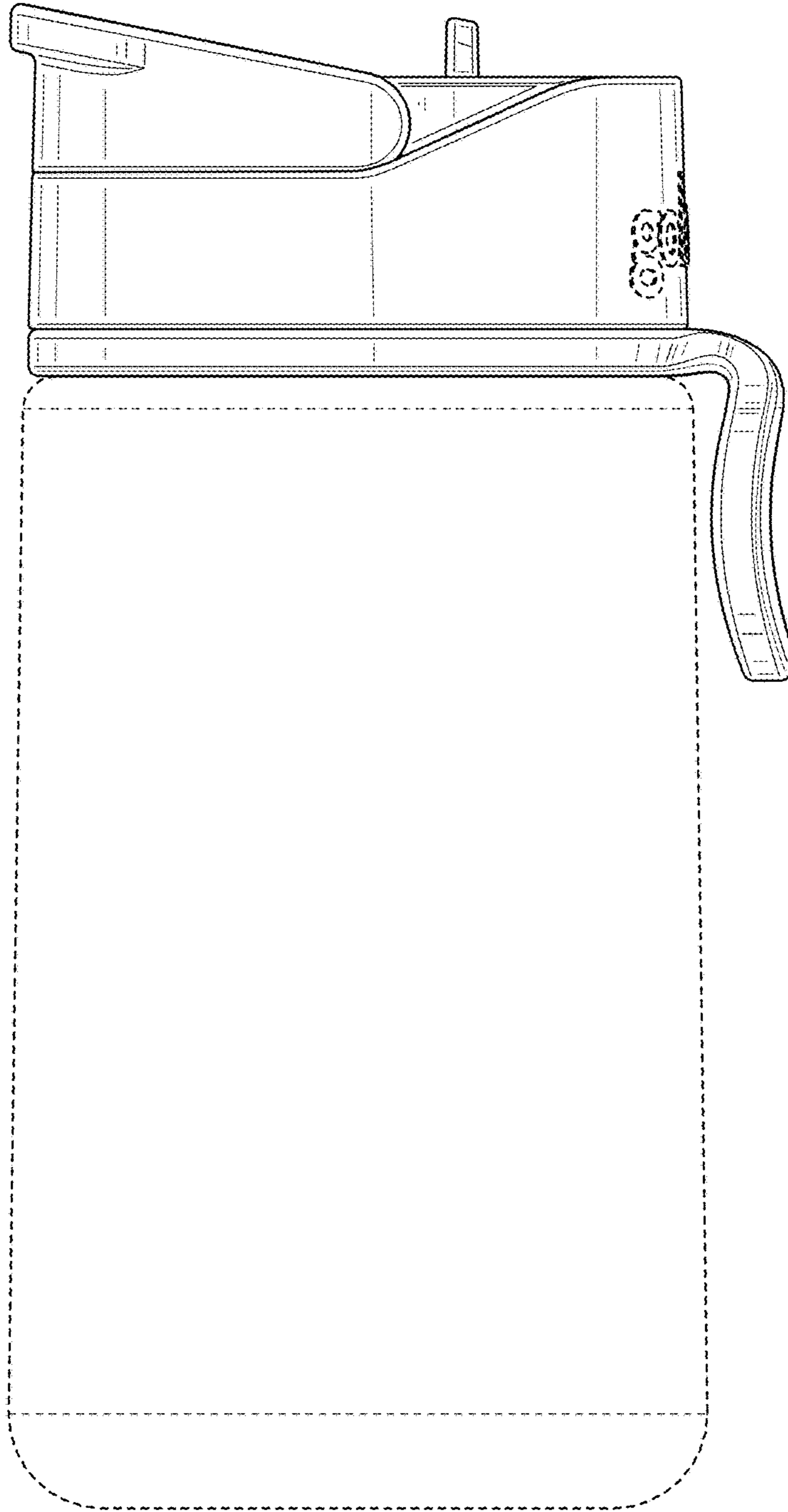


FIG. 4

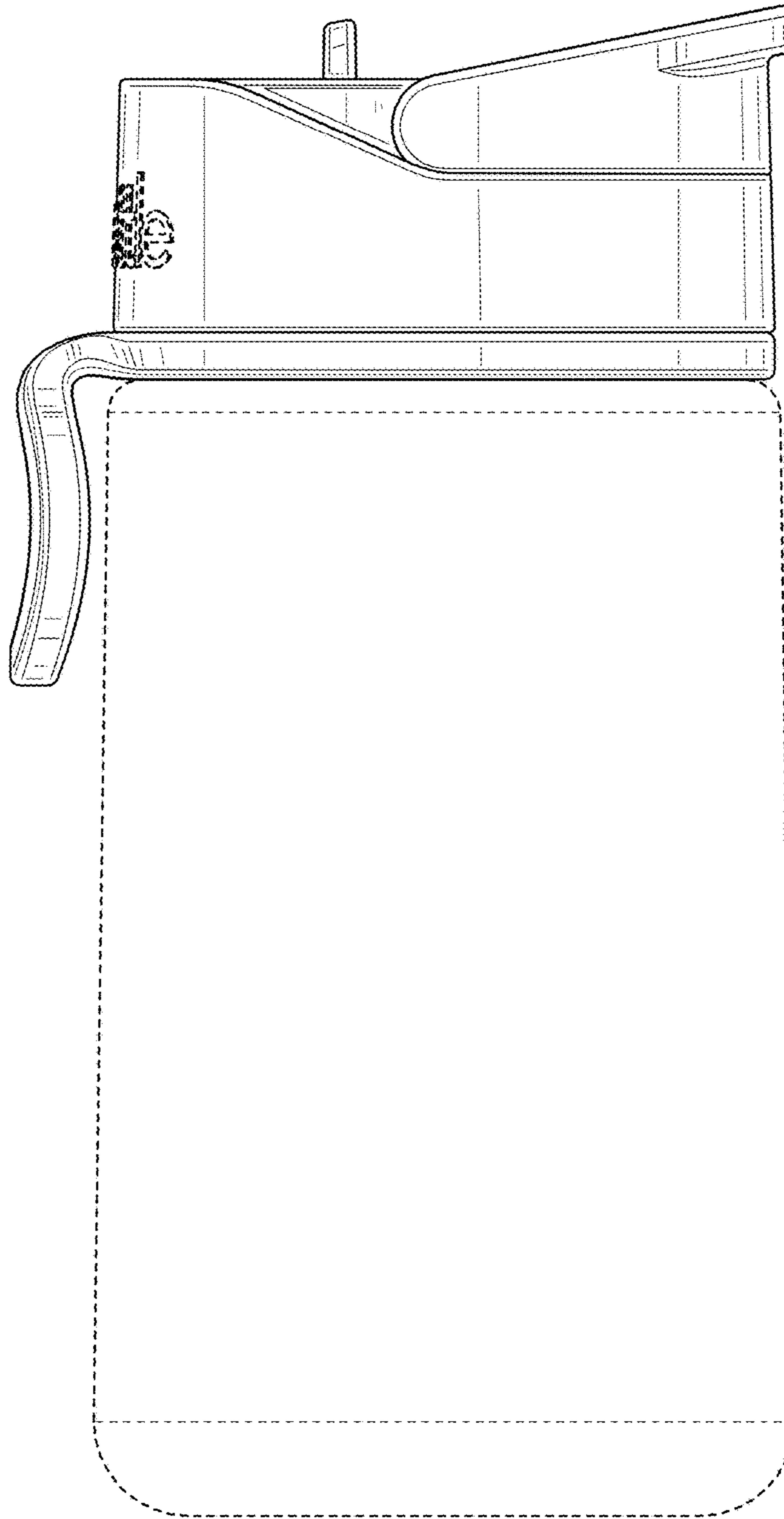


FIG. 5

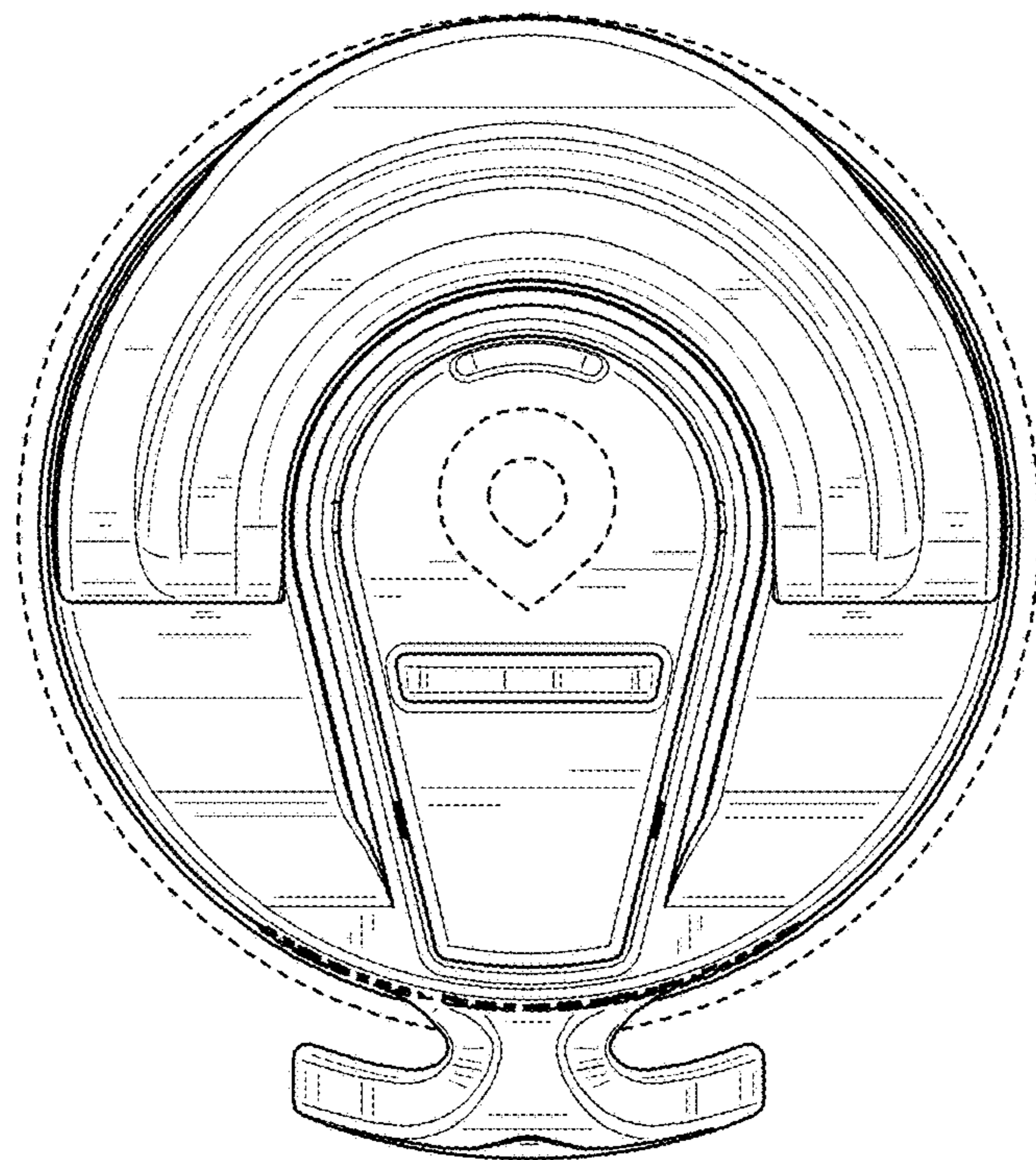


FIG. 6

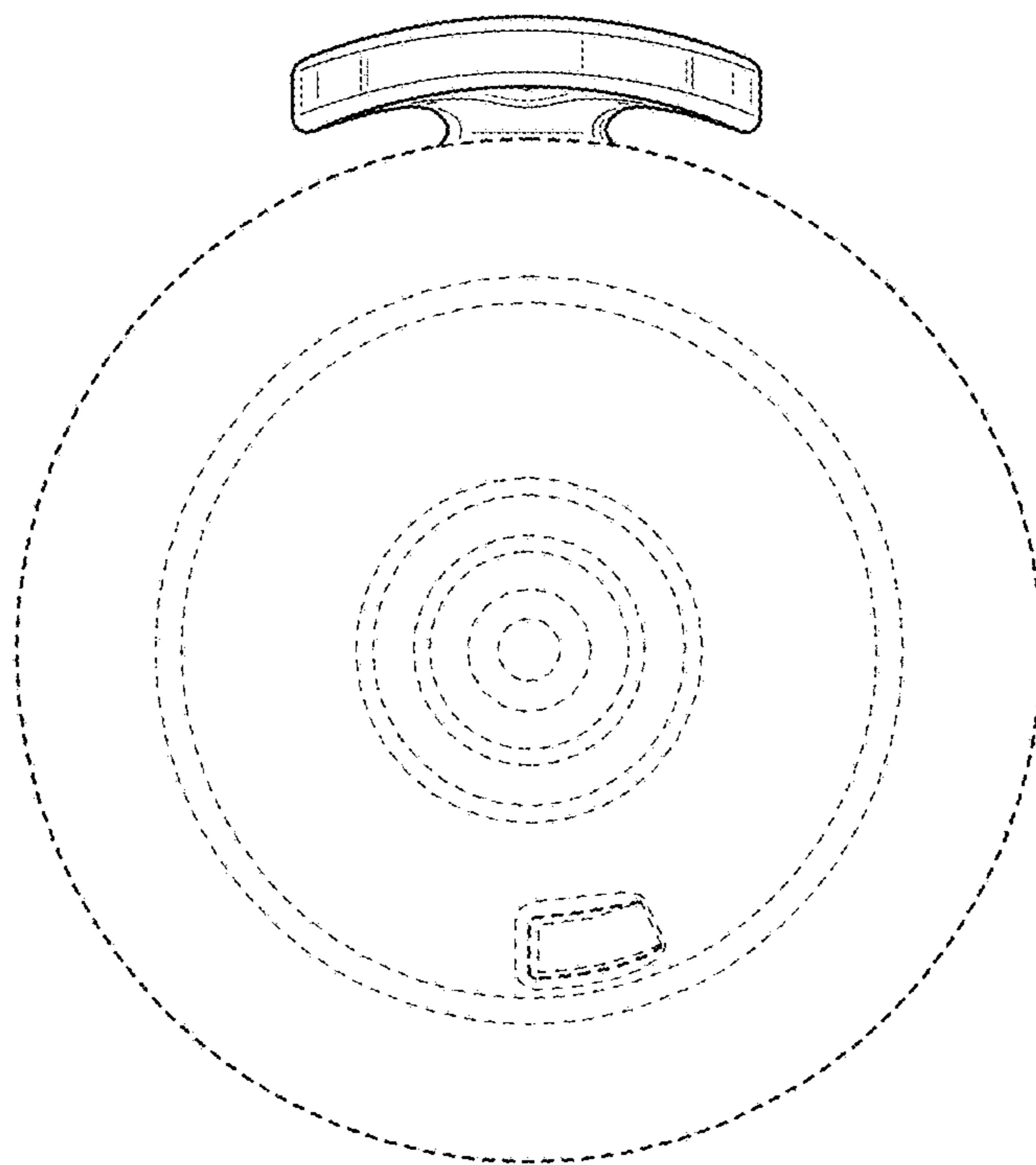


FIG. 7