



US00D860716S

(12) **United States Design Patent** (10) **Patent No.:** **US D860,716 S**
Abante et al. (45) **Date of Patent:** **** Sep. 24, 2019**

(54) **CONTAINER LID**
(71) Applicant: **YETI Coolers, LLC**, Austin, TX (US)
(72) Inventors: **Edward Abante**, Austin, TX (US);
Steve Charles Nichols, Austin, TX (US)
(73) Assignee: **YETI Coolers, LLC**, Austin, TX (US)
(**) Term: **15 Years**
(21) Appl. No.: **29/598,606**

(22) Filed: **Mar. 27, 2017**
(51) **LOC (12) Cl.** **07-99**
(52) **U.S. Cl.**
USPC **D7/392.1**
(58) **Field of Classification Search**
USPC D7/387, 392, 392.1, 392.2, 393, 396.2,
D7/396.3, 396.4, 401.1, 507, 509-511,
D7/538, 900; D9/414, 415, 420, 426,
D9/428, 429, 434, 435, 443-450,
D9/452-457, 499, 682, 685, 686
CPC B65D 51/28; B65D 21/0222; B65D 43/02;
B65D 2203/00; B65D 2231/022; B65D
2543/00046; B65D 2543/00092; B65D
2543/00296; B65D 2543/00537; A47G
19/2205; A47G 19/2222; A47G 19/2272
See application file for complete search history.

(56) **References Cited**

U.S. PATENT DOCUMENTS

1,018,379 A 2/1912 Seward
1,018,961 A 2/1912 Coffield
2,735,566 A 2/1956 Bramming
2,804,103 A 8/1957 Wall
3,140,799 A 7/1964 Mehr
3,141,586 A 7/1964 Wetterek
3,220,695 A 11/1965 Downey et al.
3,249,268 A 5/1966 Neuner
3,285,453 A 11/1966 Wagner

3,439,843 A 4/1969 Corsette
3,592,349 A 7/1971 Baugh
3,638,821 A 2/1972 Guala
3,776,433 A 12/1973 De Treitas
3,842,790 A 10/1974 Clark
3,863,798 A 2/1975 Kurihara et al.
(Continued)

FOREIGN PATENT DOCUMENTS

AU 2017280047 A1 1/2019
AU 2016368382 B2 2/2019
(Continued)

OTHER PUBLICATIONS

“Thermos Stainless King 60 Ounce Vacuum Insulated Beverage Bottle.” Found online Jul. 13, 2018 at www.amazon.com. Page dated Aug. 15, 2015. Retrieved from URL: <https://www.amazon.com/Thermos-Stainless-Insulated-Beverage-Midnight/dp/B008YB4V52> (Year: 2015).*
(Continued)

Primary Examiner — Garth Rademaker
Assistant Examiner — Katelin G Kloberg
(74) *Attorney, Agent, or Firm* — Banner & Witcoff, Ltd.

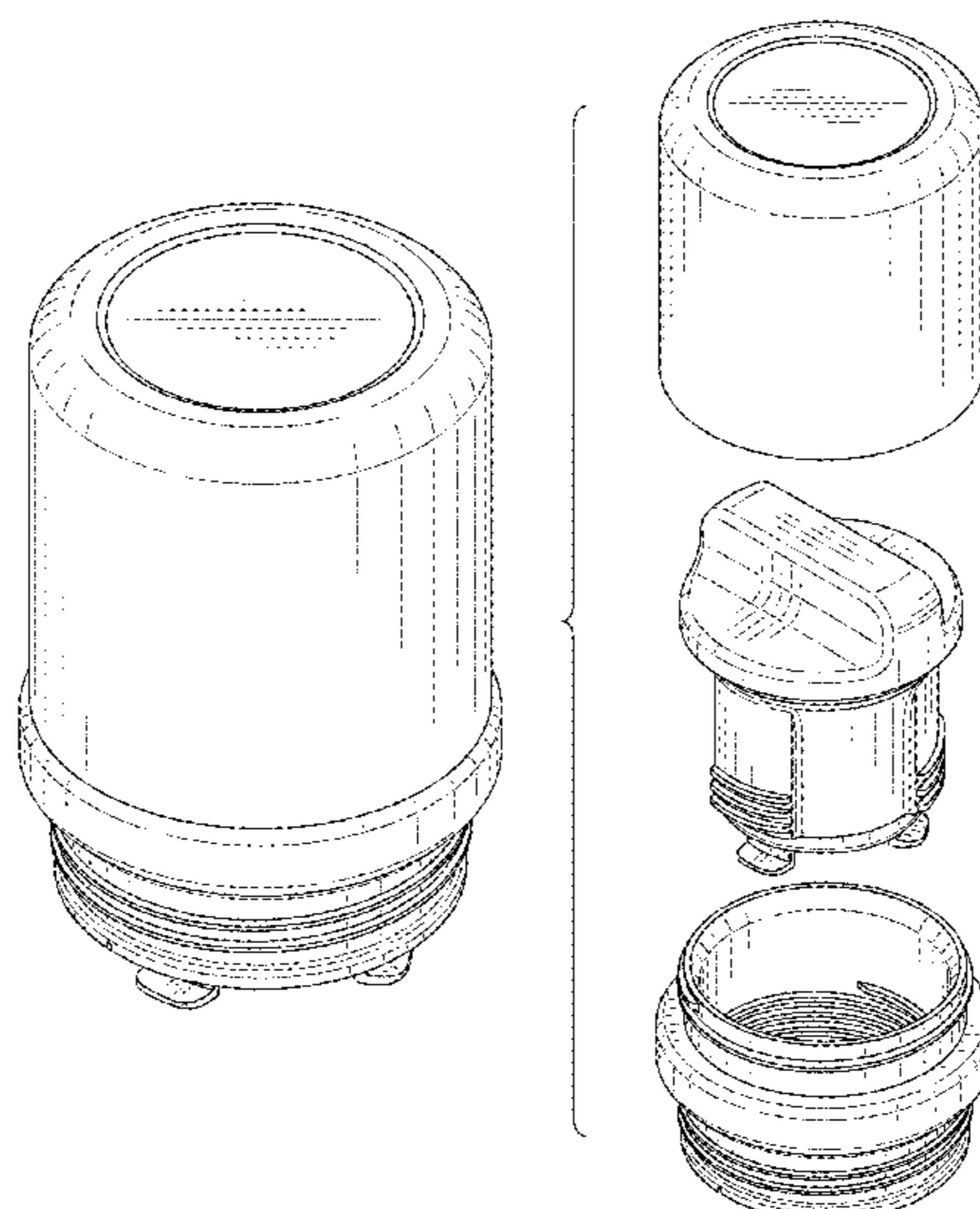
(57) **CLAIM**

The ornamental design for a container lid, as shown and described.

DESCRIPTION

FIG. 1 is a front perspective view of a container lid showing our new design;
FIG. 2 is a front view thereof;
FIG. 3 is a rear view thereof;
FIG. 4 is a side view thereof;
FIG. 5 is an opposite side view thereof;
FIG. 6 is a top view thereof; and,
FIG. 7 is an exploded front perspective view thereof.

1 Claim, 5 Drawing Sheets



(56)

References Cited

U.S. PATENT DOCUMENTS

3,874,541 A	4/1975	Lagneaux et al.	D735,033 S	7/2015	Lynd et al.
4,190,173 A	2/1980	Mason et al.	D735,038 S	7/2015	Tamarindo
4,358,024 A	11/1982	Underwood	9,126,731 B2	9/2015	Chen
4,497,422 A	2/1985	Klees	D743,255 S *	11/2015	Niggemyer D9/435
D289,614 S *	5/1987	Sanchez D7/392.1	D743,742 S	11/2015	Rummel et al.
4,723,677 A	2/1988	Nagel, Jr.	9,205,445 B2	12/2015	Fang
4,981,233 A	1/1991	Scheurer	9,215,942 B2	12/2015	Bodum
D325,167 S *	4/1992	Humfress D9/453	D748,472 S	2/2016	Seybel et al.
5,105,975 A *	4/1992	Patterson A47G 19/2272 215/229	D751,345 S	3/2016	Lane et al.
D329,809 S *	9/1992	Bloomfield D9/435	D751,399 S	3/2016	Lynd et al.
5,190,178 A	3/1993	Luch	D751,898 S	3/2016	D'Anglade
5,249,703 A	10/1993	Karp	9,346,591 B2	5/2016	Martinengo
5,392,967 A	2/1995	Satomi et al.	D760,586 S	7/2016	Seiders et al.
5,490,622 A	2/1996	Tardif	D761,624 S	7/2016	McLean et al.
5,498,333 A	3/1996	Canther	D763,076 S	8/2016	Lane et al.
5,839,611 A	11/1998	Obadia et al.	D767,390 S	9/2016	Miksovsky et al.
5,909,820 A	6/1999	Yeh	D772,652 S	11/2016	Yao
6,079,589 A	6/2000	Matsuyama et al.	D772,718 S	11/2016	Lee
6,102,227 A	8/2000	Cochrane	9,493,274 B2	11/2016	Ledun et al.
6,102,244 A	8/2000	Kuwano et al.	D773,250 S *	12/2016	Miller D7/523
6,357,628 B1	3/2002	Long, Jr.	D773,938 S	12/2016	Weber
6,536,618 B1	3/2003	Hwang et al.	9,522,770 B2	12/2016	Pichrt
D475,924 S *	6/2003	Haffner D9/435	9,532,671 B2	1/2017	Lin
6,601,740 B1	8/2003	Clive	D778,117 S	2/2017	Du
D479,995 S *	9/2003	Duceppe D9/434	D778,118 S	2/2017	Du
6,651,838 B2	11/2003	Bissell	D784,812 S *	4/2017	Miller D9/435
6,662,978 B2	12/2003	Lin et al.	9,694,953 B2	7/2017	Meyers et al.
6,675,998 B2	1/2004	Forsman et al.	9,708,108 B2	7/2017	Gregory et al.
6,702,138 B1	3/2004	Bielecki et al.	D795,008 S *	8/2017	Eyal D7/392.1
D494,064 S *	8/2004	Hook D9/435	9,745,110 B2 *	8/2017	Boyer B65D 47/121
6,908,015 B2	6/2005	Choi et al.	9,801,969 B2	10/2017	Griffis
D507,495 S *	7/2005	Williams D9/719	D806,543 S	1/2018	Finkbohner et al.
D521,314 S *	5/2006	Ball D7/393	9,919,860 B2 *	3/2018	Dabah B65D 51/28
D533,032 S	12/2006	Liu et al.	9,926,115 B2	3/2018	Jung et al.
D536,974 S *	2/2007	Smith D9/435	D814,852 S *	4/2018	Melanson D7/391
D553,914 S	10/2007	Wahl	D814,930 S *	4/2018	Tremayne D9/435
D567,021 S *	4/2008	Bach D7/387	D816,426 S *	5/2018	Washburn D7/608
7,458,486 B2	12/2008	Weist et al.	D817,114 S *	5/2018	Beckman D7/629
D587,533 S	3/2009	Carreno	D820,039 S *	6/2018	Fitzsimons D7/392.1
D594,346 S *	6/2009	Mouquet D9/690	10,029,832 B2	7/2018	Isogai
D599,616 S	9/2009	Cresswell et al.	10,040,593 B2	8/2018	Ross et al.
D614,955 S	5/2010	Cresswell et al.	10,086,980 B2	10/2018	Isogai
D615,361 S	5/2010	Goble	D834,938 S *	12/2018	Barnes D9/435
D621,257 S	8/2010	Gullickson et al.	D835,937 S *	12/2018	Nichols D7/392.1
D621,258 S	8/2010	Gullickson et al.	D836,387 S *	12/2018	Silsby D7/392.1
D621,648 S	8/2010	Lown et al.	D836,388 S *	12/2018	Abante D7/392.1
D623,480 S	9/2010	Moran	D836,389 S *	12/2018	Abante D7/392.1
D630,474 S	1/2011	Gilbert	10,167,120 B1	1/2019	Levy et al.
D634,160 S	3/2011	Cetera	10,189,619 B1	1/2019	Crawley
D639,177 S	6/2011	Pape	10,196,179 B2	2/2019	Wisniewski
D641,257 S *	7/2011	Thiebaut D9/454	10,196,186 B2	2/2019	Cox
D641,591 S	7/2011	Tsukida	10,202,224 B2	2/2019	Painchaud
8,011,535 B2	9/2011	Tauber et al.	10,214,323 B2	2/2019	Conley et al.
D657,196 S	4/2012	Beyers, III	2002/0014498 A1	2/2002	Forsman et al.
8,215,511 B1	7/2012	Lin	2003/0141321 A1	7/2003	Sekendur
D665,621 S	8/2012	Eyal	2004/0201224 A1	10/2004	Chang
8,245,870 B2	8/2012	McKinney et al.	2006/0180585 A1	8/2006	Cunningham et al.
8,256,631 B2	9/2012	Hoffmann et al.	2008/0230506 A1	9/2008	Lantz et al.
8,272,532 B2	9/2012	Michaelian et al.	2009/0084752 A1	4/2009	Coulson
8,292,133 B2	10/2012	Baughman et al.	2009/0101644 A1	4/2009	Maiwald et al.
D670,137 S	11/2012	Gilbert	2010/0012615 A1	1/2010	Brooks
D675,865 S *	2/2013	Wahl D7/392.1	2010/0200602 A1	8/2010	Chan
D677,119 S	3/2013	Ying	2010/0215294 A1	8/2010	Berman
D682,016 S	5/2013	Knight	2010/0237078 A1	9/2010	Lentz et al.
8,459,468 B2	6/2013	Lin	2011/0056386 A1	3/2011	Taketani
8,505,760 B2	8/2013	Ott	2011/0198352 A1	8/2011	Lown et al.
D702,092 S	4/2014	Mettler et al.	2014/0312077 A1	10/2014	Tajima et al.
8,708,176 B2	4/2014	Andis	2015/0374151 A1	12/2015	Lin
8,777,031 B2	7/2014	Aneas	2016/0167852 A1	6/2016	Moradi
D714,584 S	10/2014	Boroski	2017/0001772 A1	1/2017	Rho
D724,435 S *	3/2015	Kaufman D9/435	2017/0144811 A1	5/2017	Wohlgenannt
8,967,414 B2	3/2015	Lane	2018/0050845 A1	2/2018	Chin et al.
8,985,406 B2	3/2015	Tachi	2018/0105346 A1 *	4/2018	Tolman B65D 81/3869
D734,638 S *	7/2015	Wahl D7/392.1	2018/0118427 A1	5/2018	Lee et al.
			2018/0134457 A1	5/2018	Mutterle et al.
			2018/0141722 A1	5/2018	Langelaan
			2018/0162608 A1	6/2018	Kim
			2018/0162610 A1	6/2018	Kim
			2019/0002164 A1	1/2019	Nakatani et al.

(56)

References Cited

U.S. PATENT DOCUMENTS

2019/0039782 A1 2/2019 Campbell
 2019/0047754 A1 2/2019 Dubiel et al.
 2019/0047773 A1 2/2019 Bullock et al.
 2019/0062010 A1 2/2019 Apte et al.

FOREIGN PATENT DOCUMENTS

CA 3030583 A1 11/2018
 CA 3012127 A1 2/2019
 CN 201694495 U 1/2011
 CN 202030152 U 11/2011
 CN 202287503 U 7/2012
 CN 103112651 A 5/2013
 CN 202981686 U 6/2013
 CN 203127394 U 8/2013
 CN 103538798 A 1/2014
 CN 103619723 A 3/2014
 CN 102730301 B 3/2015
 CN 103086061 B 8/2015
 CN 105705425 A 6/2016
 CN 303894653 10/2016
 CN 303899030 10/2016
 CN 303902404 11/2016
 CN 303905254 11/2016
 CN 303905266 11/2016
 CN 303944047 11/2016
 CN 303956194 12/2016
 CN 303965272 12/2016
 CN 303965286 12/2016
 CN 303965392 12/2016
 CN 303965400 12/2016
 CN 303966239 12/2016
 CN 303974938 12/2016
 CN 303984407 12/2016
 CN 303984493 12/2016
 CN 304011213 1/2017
 CN 304011214 1/2017
 CN 108313494 A 7/2018
 CN 107224167 B 8/2018
 CN 108394633 A 8/2018
 CN 106458394 B 10/2018
 CN 105050907 B 12/2018
 CN 105358441 B 12/2018
 CN 108945789 A 12/2018
 CN 105595863 B 2/2019
 CN 106255648 B 2/2019
 CN 106414269 B 2/2019
 CN 106458396 B 2/2019
 CN 109319295 A 2/2019
 CN 208470495 U 2/2019
 CN 208485029 U 2/2019
 CN 208531194 U 2/2019
 DE 2226556 B2 8/1977
 DE 3514261 A1 1/1986
 DE 69509827 T2 10/1999
 DE 29912668 U1 12/1999
 DK 402016101176-0008 11/2016
 DK 402016101176-0010 11/2016
 EA 004539732-0003 12/2017
 EM 00528504-0004 12/2016

EP 1693310 A1 8/2006
 EP 2457842 B1 5/2015
 EP 3066018 A4 11/2016
 EP 2851311 B1 6/2018
 EP 3157833 A 8/2018
 EP 2796078 B1 10/2018
 EP 3398484 A1 11/2018
 EP 3398871 A1 11/2018
 EP 3441320 A1 2/2019
 FR 1359912 A 4/1964
 FR 2521957 B1 10/1986
 FR 2830848 A1 4/2003
 GB 729903 A 5/1955
 GB 2114959 B 7/1985
 JP H02-052759 U 4/1990
 JP H03159974 U 7/1991
 JP H08-0117119 A 5/1996
 JP 2000333847 A 12/2000
 JP 2003125912 A 5/2003
 JP 2008162679 A 7/2008
 JP 2010280402 A 12/2010
 JP 2011093544 A 5/2011
 JP 2016141412 A 8/2016
 JP 6408837 B2 10/2018
 JP 6409250 B1 10/2018
 JP 2019001538 A 1/2019
 JP 6467720 B2 2/2019
 JP 2019503943 A 2/2019
 KR 200169857 Y1 2/2000
 KR 20100008131 A 1/2010
 KR 3020150002495 12/2015
 KR 101581270 B1 1/2016
 KR 101668309 B1 10/2016
 KR 300878085.0000 10/2016
 KR 300883384.0000 11/2016
 KR 300884377.0000 12/2016
 KR 300885455.0000 12/2016
 KR 300885851.0000 12/2016
 KR 300888536.0000 1/2017
 KR 101785906 B1 10/2017
 KR 20-2019-0000204 U 1/2019
 KR 101922235 B1 2/2019
 RU 00100680 11/2016
 WO 14041325 A3 9/2014
 WO 14184341 A1 11/2014
 WO 16180908 A1 11/2016
 WO 17097485 A1 6/2017
 WO 17115193 A1 7/2017
 WO 18149763 A1 8/2018
 WO 17223093 A3 2/2019
 WO 19025589 A1 2/2019

OTHER PUBLICATIONS

“Stanley Classic Vacuum Bottle.” Found online Jul. 13, 2018 at www.amazon.com. Page dated Nov. 30, 2014. Retrieved from URL: <https://tinyurl.com/y8nnytm9> (Year: 2014).*
 Avex, “40oz. 3Sixty Pour Stainless Steel Thermal Bottle”, Accessed May 18, 2017. <http://www.avexoutdoor.com/3sixty-pour-realtree-thermal-bottle.html>.
 Feb. 11, 2019—(CN) Office Action—App. No. 201680059619.7.

* cited by examiner

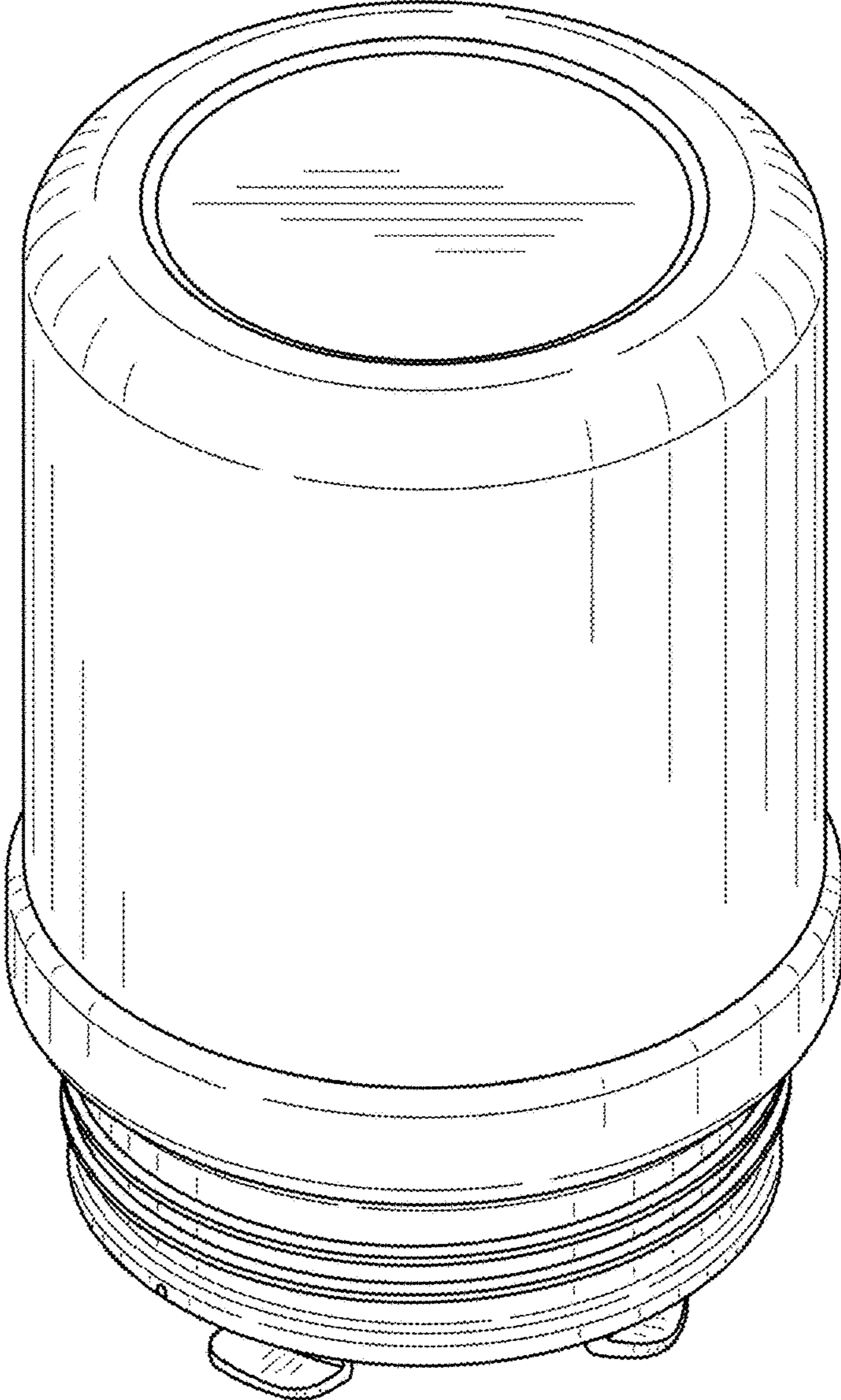


FIG. 1

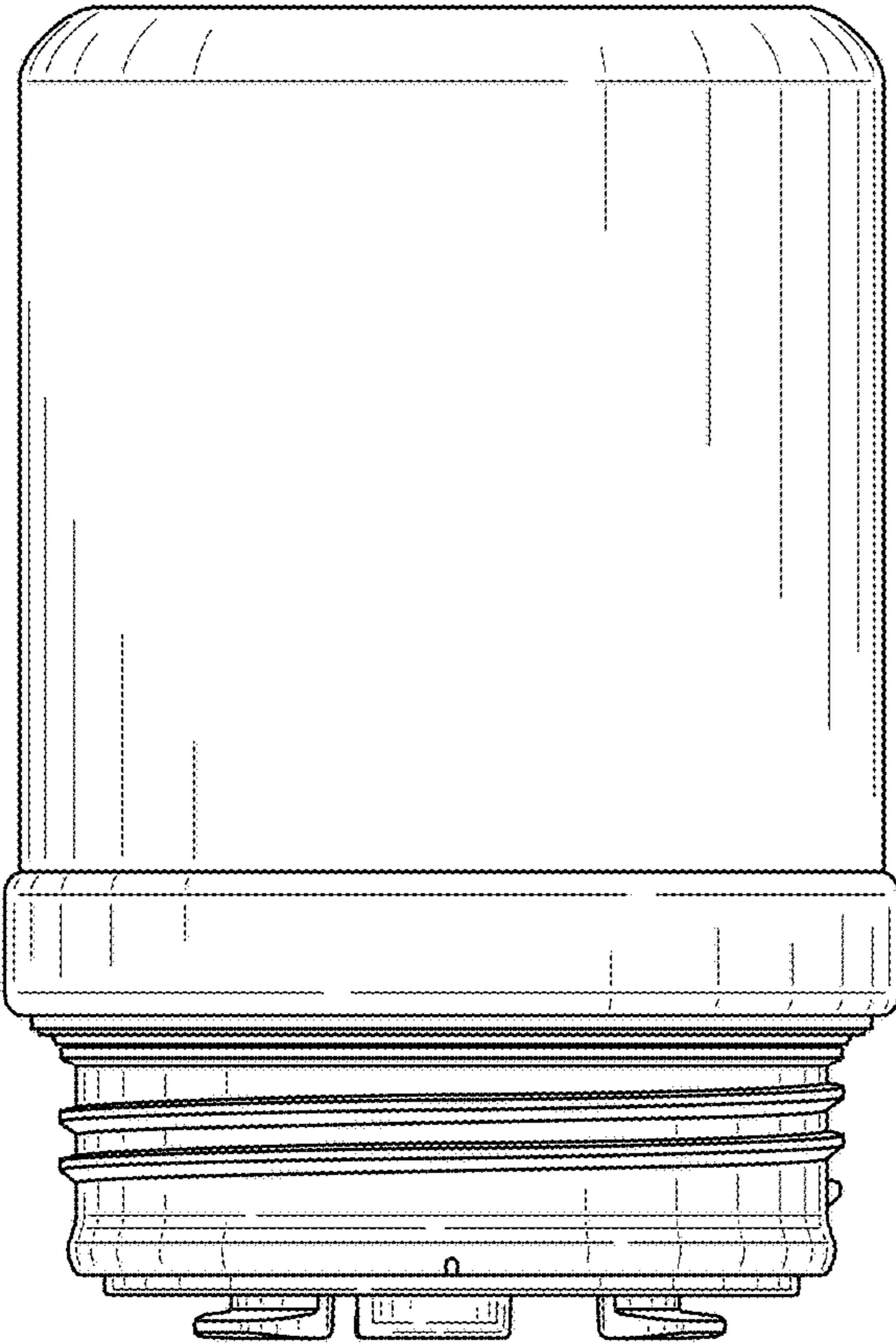


FIG. 2

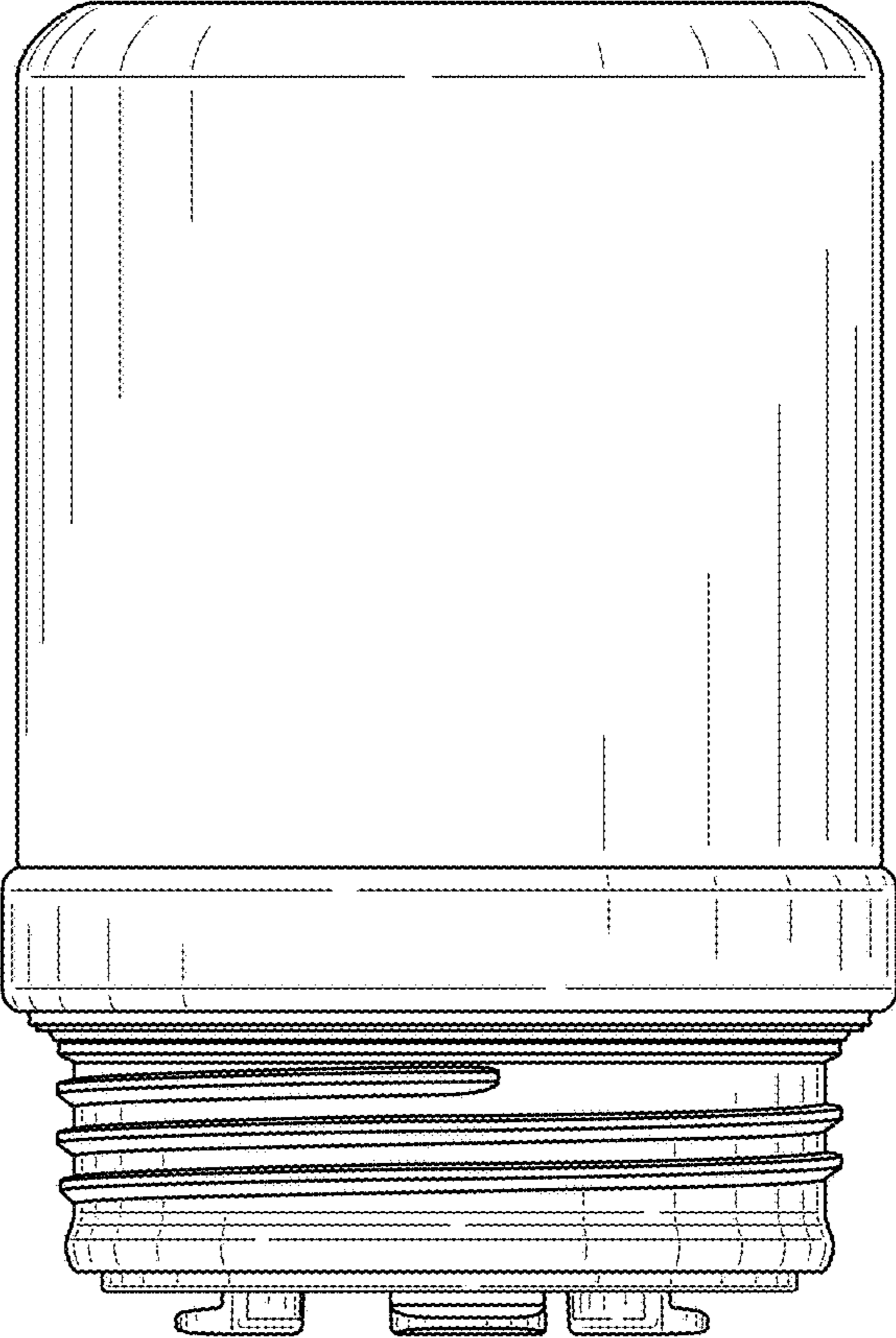


FIG. 3

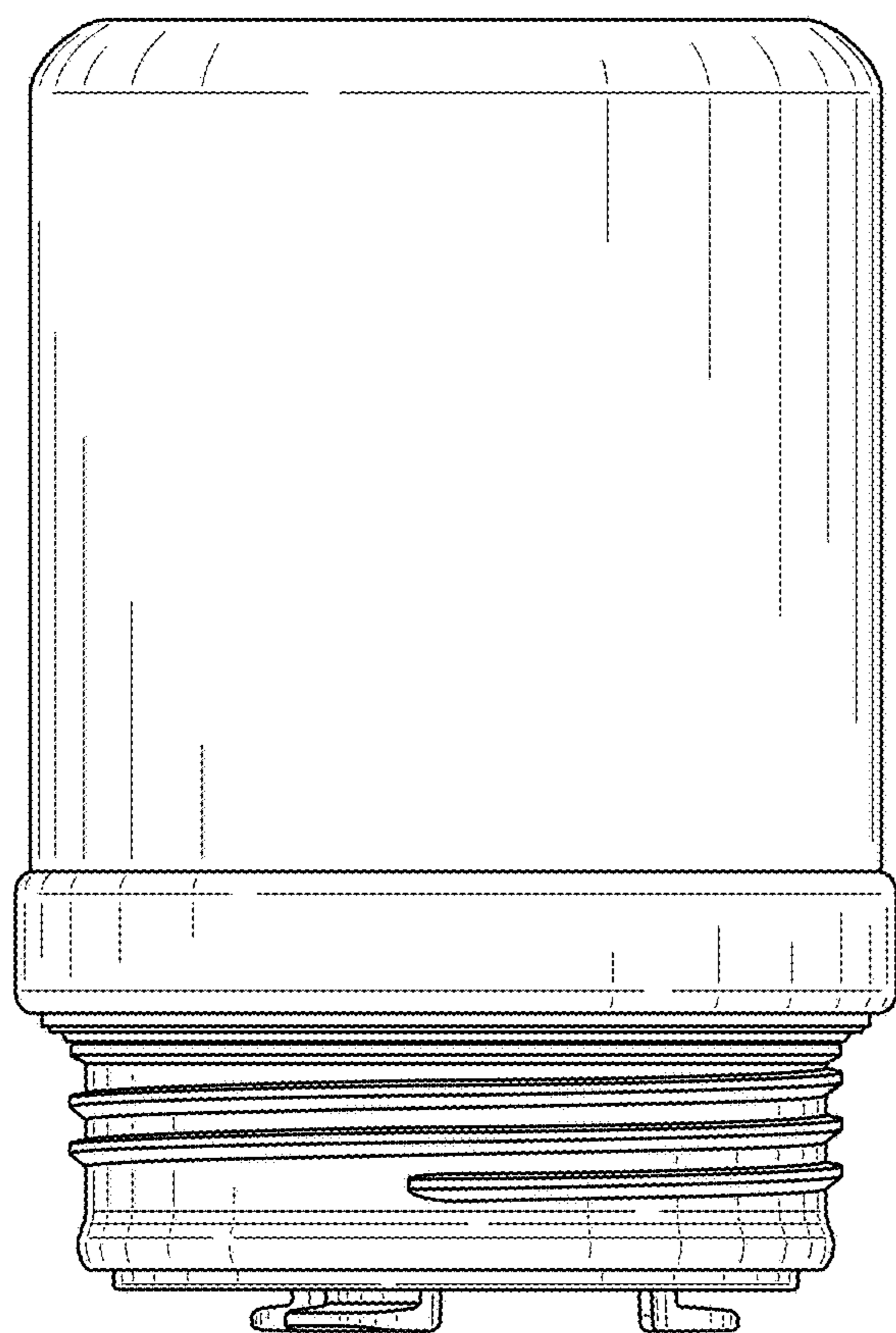


FIG. 4

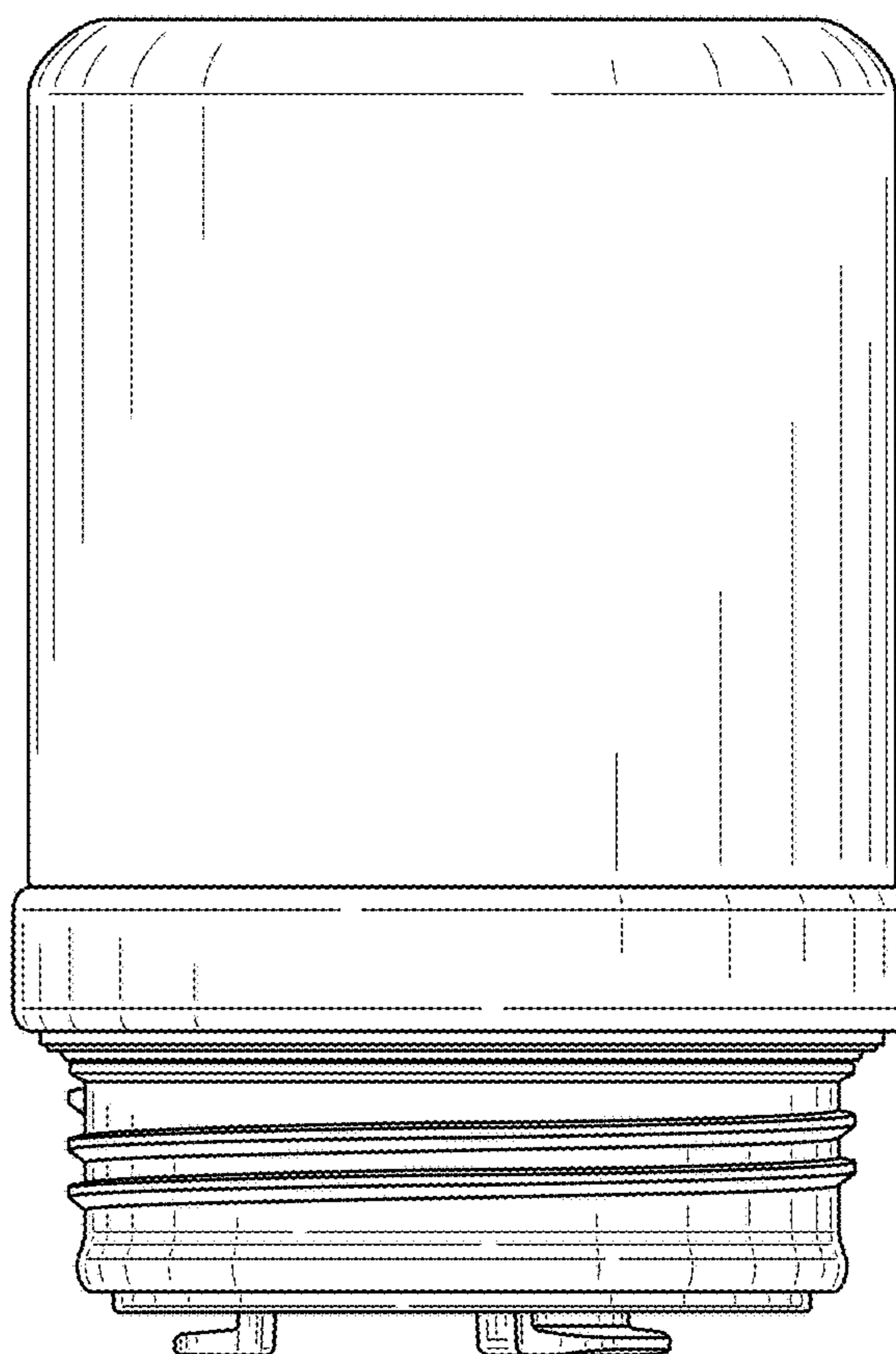


FIG. 5

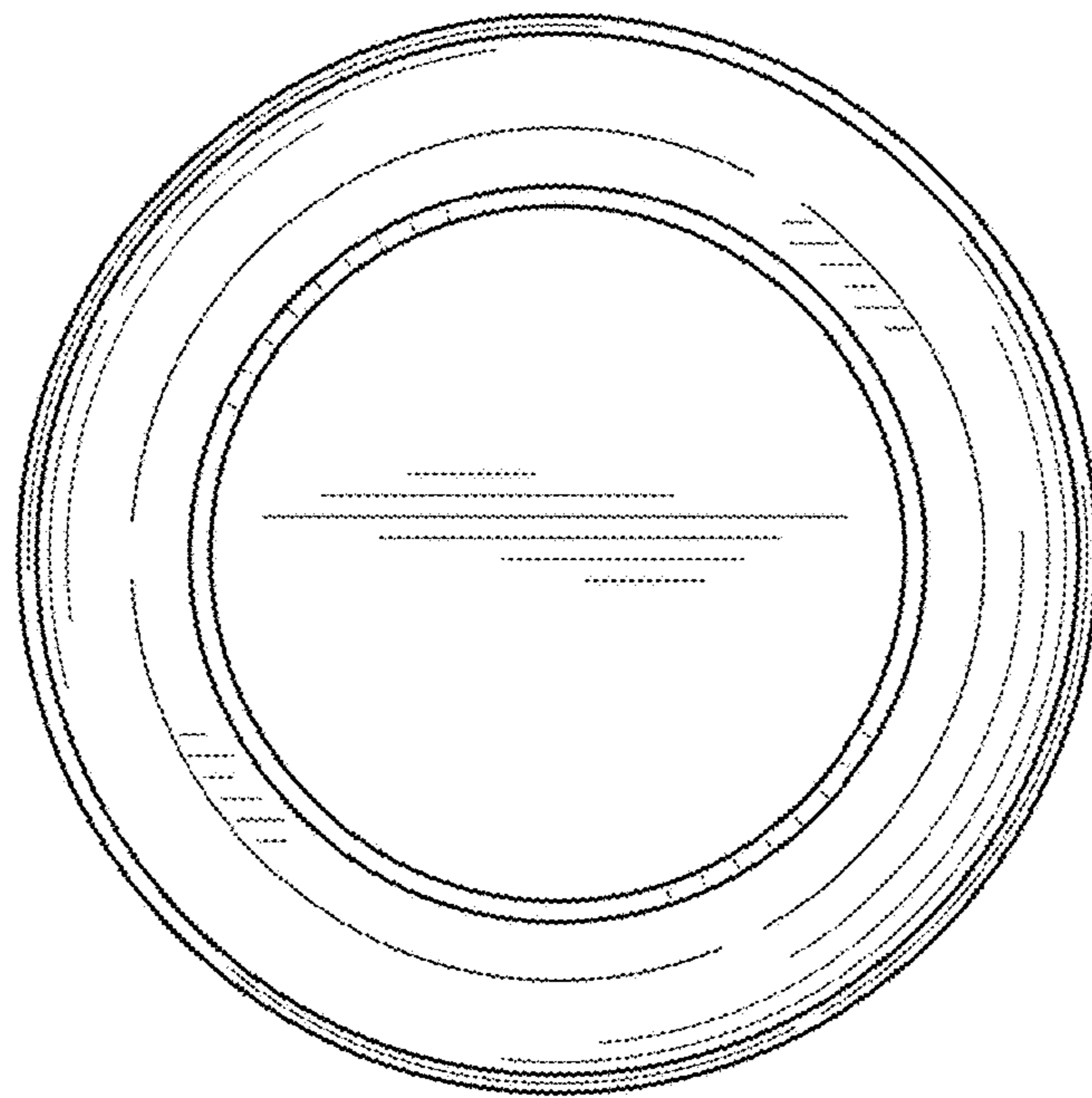


FIG. 6

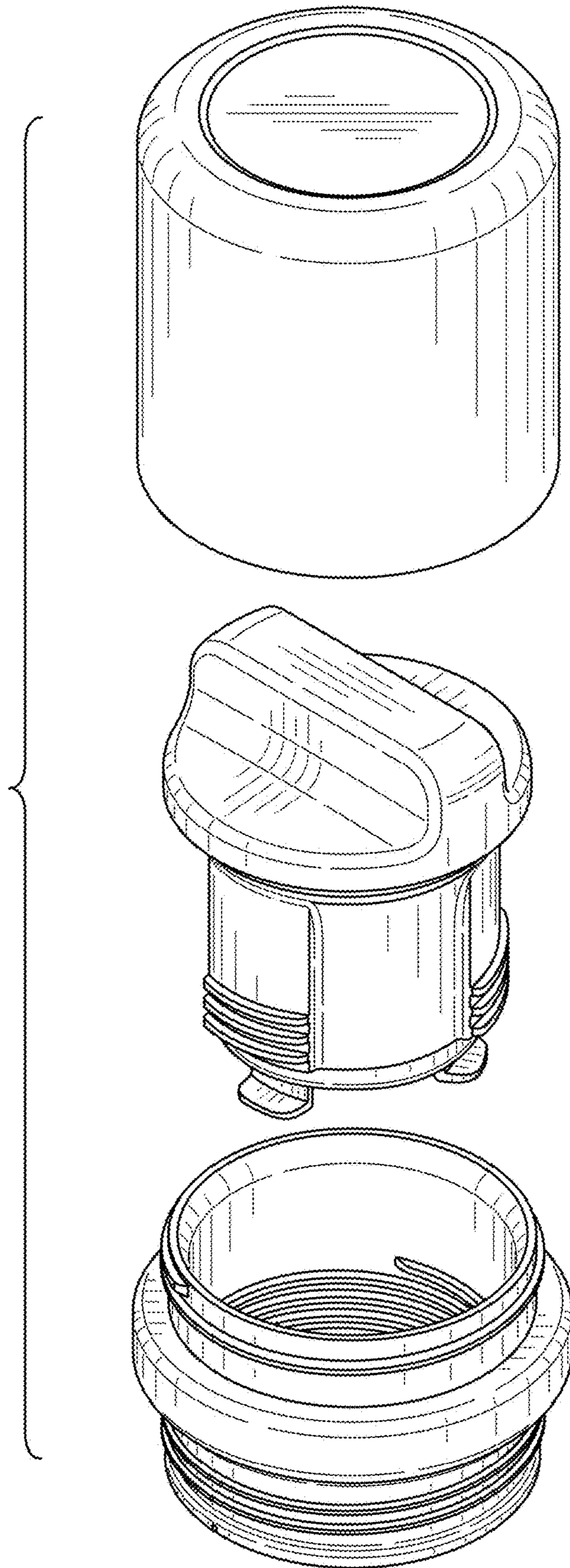


FIG. 7