

US00D860715S

(12) **United States Design Patent**
Bohman et al.

(10) **Patent No.:** **US D860,715 S**

(45) **Date of Patent:** **** Sep. 24, 2019**

(54) **LID FOR A BEVERAGE CONTAINER**

(71) Applicant: **OTTER PRODUCTS, LLC**, Fort Collins, CO (US)

(72) Inventors: **David J. Bohman**, Fort Collins, CO (US); **Jason Sagen**, Fort Collins, CO (US)

(73) Assignee: **Otter Products, LLC**, Fort Collins, CO (US)

(**) Term: **15 Years**

(21) Appl. No.: **29/663,603**

(22) Filed: **Sep. 17, 2018**

(51) **LOC (12) Cl.** **07-99**

(52) **U.S. Cl.**
USPC **D7/392; D7/392.1; D7/900**

(58) **Field of Classification Search**
USPC **D7/392, 392.1, 510, 511, 536, 900; D9/447, 503, 532, 549**
CPC **B65D 81/3869; B65D 41/0407; B65D 39/00; A47J 41/0011**

See application file for complete search history.

(56) **References Cited**

U.S. PATENT DOCUMENTS

2,608,841 A	9/1952	Rice
2,754,866 A	7/1956	Coltman
2,957,596 A	10/1960	Rehborg
3,312,366 A	4/1967	Harry
D282,234 S	1/1986	Henderson
D287,919 S	1/1987	Clements
D298,731 S	11/1988	Cook
D321,628 S	11/1991	Kobayashi et al.
D346,718 S	5/1994	Timmermans
D355,119 S	2/1995	Zimmermann et al.
D371,304 S	7/1996	Onneweer
D375,019 S	10/1996	Goto et al.
D385,956 S	11/1997	Doughty et al.

D390,462 S	2/1998	Mao
5,909,821 A	6/1999	Guridi
D411,954 S	7/1999	Williamson
D415,651 S	10/1999	Trombly
6,059,140 A	5/2000	Hicks
D429,118 S	8/2000	Hurlbut
D441,288 S	5/2001	Pillers et al.
D450,583 S	11/2001	Freed

(Continued)

FOREIGN PATENT DOCUMENTS

EP 2555658 A1 2/2013

OTHER PUBLICATIONS

US D775,903 S, 01/2017, Seiders et al. (withdrawn)

(Continued)

Primary Examiner — Karen S Acker

Assistant Examiner — Steven B Reinholdt, Jr.

(57) **CLAIM**

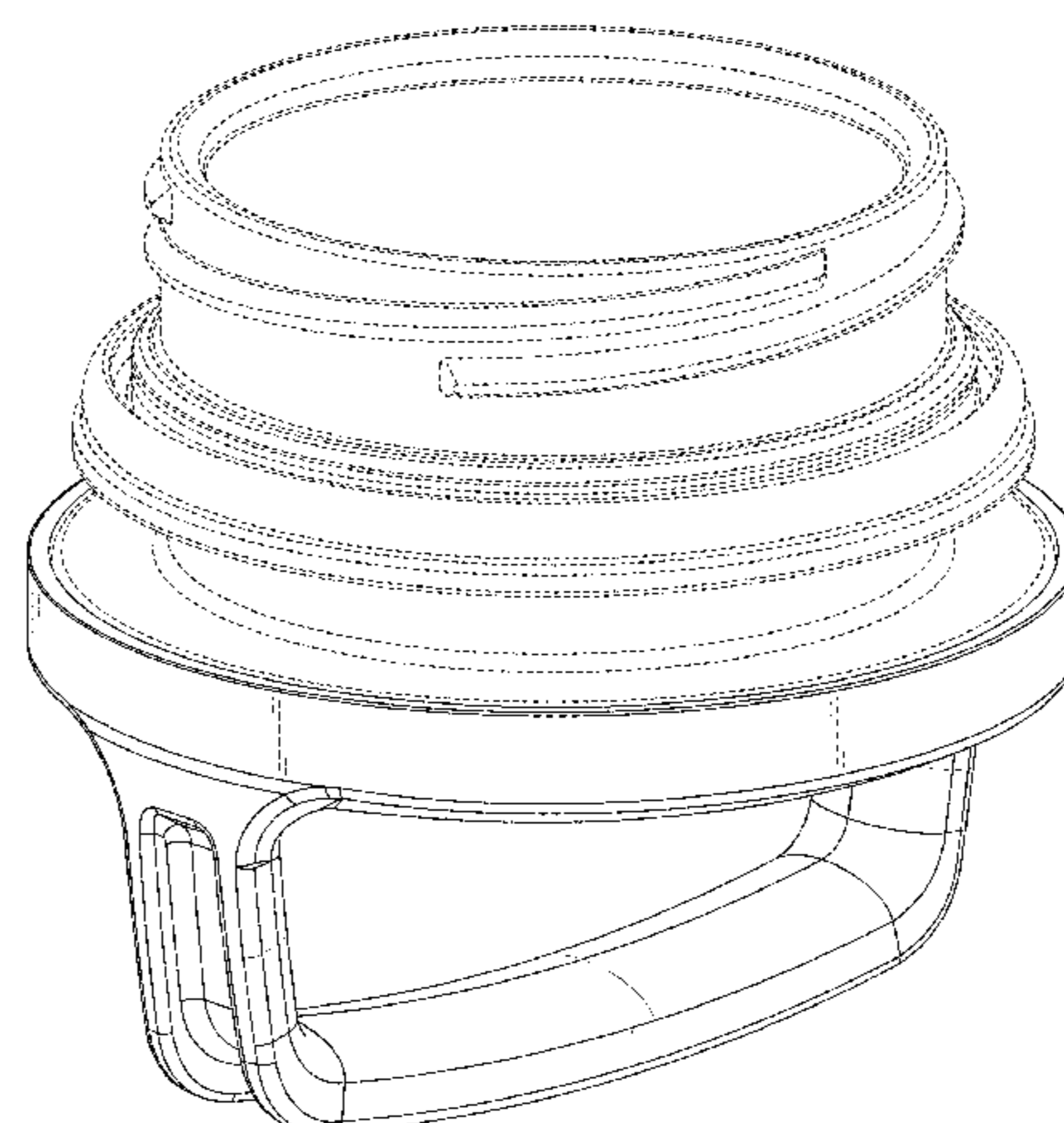
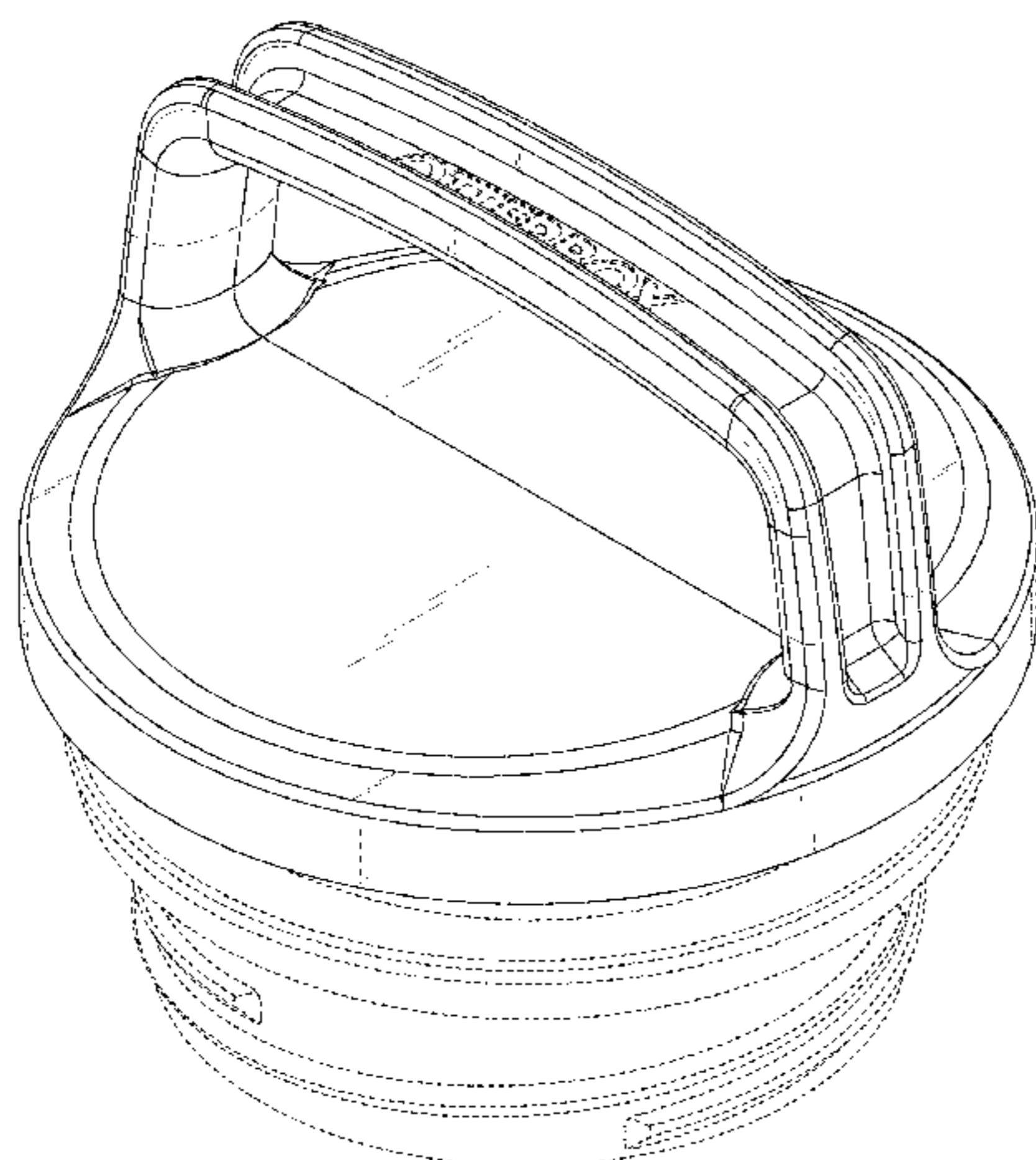
The ornamental design for a lid for a beverage container, as shown and described.

DESCRIPTION

FIG. 1 is a front, top perspective view of a lid for a beverage container showing our new design; FIG. 2 is a rear, bottom perspective view thereof; FIG. 3 is a front view thereof; FIG. 4 is a rear view thereof; FIG. 5 is a left view thereof; FIG. 6 is a right view thereof; FIG. 7 is a top view thereof; and, FIG. 8 is a bottom view thereof.

The broken lines and unshaded surfaces within them on the bottom of the article and the broken lines forming letters on the handle depict portions of the lid for a beverage container that from no part of the claimed design.

1 Claim, 8 Drawing Sheets



(56)

References Cited

U.S. PATENT DOCUMENTS

D450,982 S	11/2001	Gaze et al.	D712,723 S	9/2014	Seiders
6,324,966 B1	12/2001	Joergensen	D714,125 S	9/2014	Seiders
D453,472 S	2/2002	Kwong	8,844,762 B2	9/2014	Chiou et al.
D455,052 S	4/2002	Gullickson et al.	D714,584 S	10/2014	Boroski
D455,612 S	4/2002	Gullickson et al.	D716,657 S	11/2014	Caneer
6,422,133 B1	7/2002	Brady	D719,827 S	12/2014	Duran et al.
D476,859 S	7/2003	Short	D720,217 S	12/2014	Oates et al.
D479,800 S	9/2003	McRae	8,905,252 B2	12/2014	Latham et al.
6,626,326 B2	9/2003	Murakami	8,910,819 B2	12/2014	Seiders
D482,607 S	11/2003	McRae	8,939,305 B2	1/2015	Meyers et al.
D488,960 S	4/2004	Wahl et al.	D722,474 S	2/2015	Seiders
6,763,964 B1	7/2004	Hurlbut et al.	D722,475 S	2/2015	Seiders
6,797,304 B2	9/2004	McGonagle	D723,918 S	3/2015	Karl et al.
D505,294 S	5/2005	Gauss	D725,966 S	4/2015	Boroski et al.
7,011,227 B2	3/2006	Ward et al.	D727,097 S	4/2015	Sorensen et al.
D519,835 S	5/2006	Dubs et al.	D727,457 S	4/2015	Seiders
D524,909 S	7/2006	Bakke et al.	D729,579 S	5/2015	Molayem
D533,032 S	12/2006	Liu et al.	D731,614 S	6/2015	Seiders
D546,178 S	7/2007	McClain	D732,348 S	6/2015	Seiders et al.
D547,607 S	7/2007	Forsman	D732,349 S	6/2015	Seiders et al.
D547,610 S	7/2007	Edelstein et al.	D732,350 S	6/2015	Seiders et al.
D548,012 S	8/2007	Tien	D732,392 S	6/2015	Duran et al.
D564,841 S	3/2008	Clemens et al.	D732,899 S	6/2015	Seiders et al.
D570,213 S	6/2008	Newman	D734,150 S	7/2015	Rigel
D572,981 S	7/2008	Carreno	D736,622 S	8/2015	Nishijima et al.
D582,767 S	12/2008	Batton et al.	9,107,541 B2	8/2015	Bodum
D587,533 S	3/2009	Carreno	9,113,698 B2	8/2015	Blain et al.
D592,906 S	5/2009	Allen et al.	D739,174 S	9/2015	Elsaden et al.
7,533,783 B2	5/2009	Choi et al.	9,139,352 B2	9/2015	Seiders et al.
D597,816 S	8/2009	Thompson	D740,605 S	10/2015	Wodka et al.
7,578,231 B2	8/2009	Liu	D742,684 S	11/2015	Hurley et al.
D604,984 S	12/2009	Kalamaras	9,187,232 B2	11/2015	Seiders
D621,257 S	8/2010	Gullickson et al.	D748,942 S	2/2016	Boroski et al.
D622,089 S *	8/2010	Daniel D7/313	D751,338 S	3/2016	Seiders et al.
D623,480 S	9/2010	Moran	D751,339 S	3/2016	Seiders et al.
D623,481 S	9/2010	Moran	D751,340 S	3/2016	Seiders et al.
D623,896 S	9/2010	Wahl et al.	D751,341 S	3/2016	Seiders et al.
D626,837 S	11/2010	Meyers et al.	D752,347 S	3/2016	Seiders et al.
D628,018 S	11/2010	Gilbert	D752,397 S	3/2016	Seiders et al.
D630,093 S	1/2011	Bardet	D752,434 S	3/2016	Willows et al.
D631,284 S	1/2011	Fuller	D752,976 S	4/2016	Koffel et al.
D632,522 S *	2/2011	Wahl D7/392.1	D754,483 S	4/2016	Elsaden et al.
D634,160 S	3/2011	Cetera	D754,486 S	4/2016	Ott
D644,060 S	8/2011	Komeiji	D757,496 S	5/2016	Julier et al.
D644,489 S	9/2011	Trombly	9,351,597 B2	5/2016	Liu et al.
D651,847 S	1/2012	Gilbert	D758,127 S	6/2016	Zhao
D651,852 S	1/2012	George	D758,137 S	6/2016	Soltz et al.
D653,521 S	2/2012	Wike	D758,791 S	6/2016	Hanna et al.
D656,360 S	3/2012	Miller et al.	D758,792 S	6/2016	Karussi
D656,820 S	4/2012	Willows et al.	D758,859 S *	6/2016	Sorensen D7/393
D657,196 S	4/2012	Beyers	D759,485 S	6/2016	Boroski et al.
D658,006 S	4/2012	Yao	D760,026 S	6/2016	Smith et al.
D660,648 S	5/2012	Gilbert	D760,586 S	7/2016	Seiders et al.
8,191,727 B2	6/2012	Davies et al.	D761,619 S	7/2016	Seiders et al.
8,251,247 B1	8/2012	Breckner	D761,648 S	7/2016	Karl et al.
8,313,644 B2	11/2012	Harris et al.	D762,117 S	7/2016	Joseph et al.
D672,648 S	12/2012	Goto et al.	9,387,961 B2	7/2016	Mithal
D675,059 S	1/2013	Carreno	D762,418 S	8/2016	Sorensen et al.
D682,034 S	5/2013	Ei-Saden et al.	D763,076 S	8/2016	Lane et al.
8,469,226 B2	6/2013	Davies et al.	D764,787 S	8/2016	Montminy
D686,871 S	7/2013	Lane	D766,029 S	9/2016	Lin
D690,556 S	10/2013	Boroski	D766,652 S	9/2016	Joseph et al.
D690,988 S	10/2013	Audette	D766,668 S *	9/2016	Garcia D7/608
8,602,238 B2	12/2013	Ei-Saden et al.	D767,328 S	9/2016	Boroski et al.
8,622,237 B2	1/2014	Choi et al.	D768,437 S	10/2016	Lane
D700,012 S	2/2014	Hurley et al.	D769,046 S	10/2016	Beckman et al.
D700,802 S	3/2014	Miller	9,456,710 B2	10/2016	Blain et al.
D702,092 S	4/2014	Mettler et al.	9,462,904 B2	10/2016	Coon et al.
8,695,830 B2	4/2014	Meyers et al.	D770,222 S	11/2016	Boroski et al.
D707,124 S	6/2014	Blain et al.	D771,990 S	11/2016	Horowitz
8,777,048 B2	7/2014	Choi et al.	D772,064 S	11/2016	Boroski et al.
D712,254 S	9/2014	Geis et al.	D772,651 S	11/2016	Leonard et al.
D712,720 S	9/2014	Seiders	9,505,527 B1	11/2016	Campbell
D712,721 S	9/2014	Seiders	D774,359 S	12/2016	Boroski
D712,722 S	9/2014	Seiders	D774,363 S	12/2016	Seiders et al.
			D774,837 S	12/2016	Seiders et al.
			9,521,918 B2	12/2016	Coon et al.
			D775,892 S	1/2017	Smith
			D777,508 S	1/2017	Goodwin et al.

(56)

References Cited

U.S. PATENT DOCUMENTS

D778,725 S 2/2017 Sorensen et al.
 D779,285 S 2/2017 Seiders et al.
 D779,891 S 2/2017 Seiders et al.
 D779,892 S 2/2017 Seiders et al.
 D780,530 S 3/2017 Seiders et al.
 D780,531 S 3/2017 Seiders et al.
 D780,532 S 3/2017 Seiders et al.
 D780,533 S 3/2017 Seiders et al.
 D780,577 S 3/2017 Seiders et al.
 D781,145 S 3/2017 Seiders et al.
 D781,146 S 3/2017 Seiders et al.
 D781,662 S 3/2017 Seiders et al.
 D782,881 S 4/2017 Seiders et al.
 D783,367 S 4/2017 Seiders et al.
 D783,368 S 4/2017 Seiders et al.
 D784,775 S 4/2017 Seiders et al.
 D786,025 S 5/2017 Seiders et al.
 D786,072 S 5/2017 Breit et al.
 D787,893 S 5/2017 Seiders et al.
 D787,894 S 5/2017 Seiders et al.
 9,637,270 B2 5/2017 Campbell
 D788,544 S 6/2017 Seiders et al.
 D789,737 S 6/2017 Eyal
 D790,285 S 6/2017 Seiders et al.
 D790,920 S 7/2017 Goodwin et al.
 D791,532 S 7/2017 Yao
 D791,542 S 7/2017 Miksovsky et al.
 D791,543 S 7/2017 Mulhauser et al.
 D791,549 S 7/2017 Goodwin et al.
 D792,215 S 7/2017 Eyal
 D792,216 S 7/2017 Breit et al.
 9,694,953 B2 7/2017 Meyers et al.
 D794,397 S 8/2017 Seiders et al.
 D795,007 S 8/2017 Plassmeyer
 D795,008 S 8/2017 Eyal
 D795,013 S * 8/2017 Shultz D7/392.1
 D795,019 S 8/2017 Seiders et al.
 D795,020 S 8/2017 Seiders et al.
 D795,646 S 8/2017 Sorensen et al.
 D798,105 S 9/2017 Stover et al.
 9,771,189 B2 9/2017 Miksovsky et al.
 D799,320 S 10/2017 Goodwin et al.
 D799,906 S 10/2017 Seiders et al.
 D799,907 S 10/2017 Seiders et al.
 D799,908 S 10/2017 Seiders et al.
 D801,111 S 10/2017 Eyal
 9,776,777 B2 10/2017 Gorbold
 9,782,028 B2 10/2017 Davies et al.
 D801,746 S 11/2017 Thuma et al.
 D802,419 S 11/2017 Seiders et al.
 D802,994 S 11/2017 Seiders et al.
 D803,619 S 11/2017 Seiders et al.
 D803,632 S 11/2017 Seiders et al.
 D803,684 S 11/2017 Seiders et al.
 D804,254 S 12/2017 Seiders et al.
 D804,255 S 12/2017 Seiders et al.
 D804,256 S 12/2017 Seiders et al.
 D804,905 S 12/2017 Seiders et al.
 D805,852 S 12/2017 Seiders et al.
 D807,110 S 1/2018 Lown
 D807,125 S 1/2018 Seiders et al.
 D807,126 S 1/2018 Seiders et al.
 D808,218 S 1/2018 Seiders et al.
 D808,713 S 1/2018 Rane et al.
 D809,344 S * 2/2018 Guthrie D7/511
 D809,924 S * 2/2018 Miros D9/532
 D811,162 S 2/2018 Rane et al.
 D812,432 S 3/2018 Seiders et al.
 D812,970 S 3/2018 Rane et al.
 D812,979 S 3/2018 Seiders et al.
 D813,593 S 3/2018 Cornu et al.
 9,908,687 B2 3/2018 Chiou et al.
 D814,852 S 4/2018 Melanson et al.
 D814,853 S 4/2018 Melanson et al.
 D814,854 S 4/2018 Melanson et al.

D814,928 S * 4/2018 Seiders D9/443
 D816,397 S 5/2018 Karl et al.
 D816,493 S * 5/2018 Seiders D9/443
 D817,084 S 5/2018 Hammer
 D817,085 S 5/2018 Davis
 D817,683 S 5/2018 Melanson et al.
 D818,312 S 5/2018 Burns et al.
 D819,396 S * 6/2018 Seiders D7/392.1
 D820,650 S * 6/2018 Seiders D7/608
 D822,428 S 7/2018 Thuma et al.
 D823,068 S * 7/2018 Seiders D7/608
 D823,069 S * 7/2018 Seiders D7/608
 D824,721 S 8/2018 Hu
 D825,332 S 8/2018 Miksovsky et al.
 D827,363 S 9/2018 Matsui
 D828,722 S 9/2018 Davis
 D831,414 S 10/2018 Diener et al.
 D831,436 S * 10/2018 Seiders D7/608
 D834,368 S 11/2018 Oas
 D834,882 S 12/2018 Seiders et al.
 D836,386 S 12/2018 Ayriss et al.
 D836,974 S 1/2019 Seiders et al.
 D839,049 S 1/2019 Seiders et al.
 D839,054 S * 1/2019 Rane D7/608
 D839,055 S * 1/2019 Rane D7/608
 D842,027 S * 3/2019 Boroski D7/392.1
 D842,028 S 3/2019 Melanson et al.
 D842,104 S * 3/2019 Ke D9/436
 D843,212 S * 3/2019 Seiders D9/443
 2005/0046211 A1 3/2005 Nole et al.
 2006/0016819 A1 1/2006 Paslawski et al.
 2007/0114236 A1 5/2007 Shifter et al.
 2007/0240580 A1 10/2007 Lusareta et al.
 2008/0011762 A1 1/2008 Boone
 2008/0017654 A1 1/2008 Chu
 2008/0087624 A1 4/2008 Buckley
 2009/0236341 A1 9/2009 McKinney et al.
 2010/0288782 A1 11/2010 Lin
 2011/0147421 A1 6/2011 Pedrol
 2011/0278216 A1 11/2011 Hull et al.
 2012/0145713 A1 * 6/2012 Jung A47J 41/0011
 2012/0152968 A1 6/2012 Bailey
 2012/0168441 A1 7/2012 Lane
 2013/0043263 A1 2/2013 Yang
 2013/0119060 A1 5/2013 Chiou et al.
 2013/0240549 A1 9/2013 Beggins et al.
 2014/0061208 A1 3/2014 Boyd
 2014/0360908 A1 12/2014 Sorensen et al.
 2015/0041500 A1 2/2015 Ismail
 2016/0153690 A1 6/2016 Patsis et al.
 2016/0244217 A1 8/2016 Maple et al.
 2016/0270602 A1 9/2016 Casey
 2016/0318693 A1 11/2016 Hein et al.
 2017/0119212 A1 * 5/2017 Petrillo A47J 41/0072
 2017/0121073 A1 5/2017 Seiders et al.
 2017/0129665 A1 5/2017 Rolfes
 2017/0253392 A1 9/2017 Bann
 2017/0253396 A1 9/2017 Coon et al.
 2018/0009576 A1 * 1/2018 Sullivan B65D 25/2894

OTHER PUBLICATIONS

Amazon website, Otterbox Elevation Growler w/Twist on Lid, Publication date unknown, [site visited Jun. 29, 2019], Available on the Internet URL <https://www.amazon.com/Otterbox-Elevation-Growler-Silver-Panther/dp/B07R69TTPF/> (Year: 2019).
 Otterbox, "Elevation 10 & 20 Closed Lid," downloaded from https://www.otterbox.com/en-us/elevation-10-20/closed-lid/78-51779.html?KPID=78-51779.html?KPID=78-51779&scid=?eml_pop=no&gclid=Cj0KCQiAtvPjBRDPAIsAJfZz0pvo6AuVi-907IIGN3Ldy_bZz8-o Mar. 4, 2019, 1 page.
 Bar Products, Nuance Stainless Steel Cocktail Shaker. 2018 [earliest online date], [site visited Jan. 29, 2018]. Available from Internet, <<https://www.barproducts.com/nuance-stainless-steel-cocktail-shaker-16-9-oz>>. (Year: 2018).

(56)

References Cited

OTHER PUBLICATIONS

Brittany A. Roston, Slash Gear, "Venture Coolers are like the camping version of OtterBox phone cases," May 9, 2017, downloaded from <https://www.slashgear.com/venture-coolers-are-like-the-camping-version-of-otterbox-phone-cases-09484519/>, 5 pages.

Custom Tumbler Shop. 30 oz. SIC Cocktail Shaker Lid. Jan. 12, 2017 [earliest online date], [site visited Jan. 29, 2018]. Available from Internet, <https://customtumblers.com/sic-30-oz-cocktail-shaker-lid>. (Year: 2017).

Genuine Thermos Brand, Mugs & Tumblers, downloaded from http://www.thermos.com/product_catalog.aspx?CatCode=MUGS May 8, 2017, 5 pages.

Kevin Curry, Gear & Grit, "OtterBox Just Beat Yeti at Its own Game with Their Venture Line of Coolers," downloaded from <https://gearandgrit.com/otterbox-venture-cooler/> May 9, 2017, 5 pages.

Otter Products, Inc, OtterBox Outdoor Venture Coolers and Elevation Tumblers, downloaded from <http://www.otterbox.com/en-us/outdoor-coming-soon.html> May 9, 2017, 2 pages.

Otterbox, OtterBox Outdoor Elevation Tumblers, retrieved from <https://www.otterbox.com/en-us/elevation-tumblers.html> on Jan. 5, 2018, 6 pages.

Otterbox, PR Newswire "Unrule the Outdoors with New OtterBox Venture Coolers", downloaded from <http://www.prnewswire.com/news-releases/unrule-the-outdoors-with-new-otterbox-venture-coolers-300453988.html> May 9, 2017, 3 pages.

Otterbox, Rugged & Versatile Elevation 20 Tumbler Accessories, retrieved from <https://www.otterbox.com/en-us/tumbler-accessories> Jan. 5, 2018, 2 pages.

Pelican Consumer, Traveler Tumbler Series Drinkware, downloaded from <http://www.pelican.com/us/en/products/drinkware> May 8, 2017, 2 pages.

Tervis Official Store, Shaker Top, downloaded from <http://www.tervis.com/shaker-top> May 8, 2017, 4 pages.

Tervis Official Store, Stainless Steel Tumblers, downloaded from <http://www.tervis.com/stainless-steel> May 8, 2017, 4 pages.

Tervis Official Store, Travel Lids, downloaded from <http://www.tervis.com/travel-lids> May 8, 2017, 11 pages.

Yeti Coolers, Rambler Drinkware Series, downloaded from <http://yeti.com/rambler> May 8, 2017, 6 pages.

Yeti Coolers, Yeti Accessories & Parts, downloaded May 8, 2017 from <http://yeti.com/accessories>, 5 pages.

Otterbox, "OtterBox Elevation Tumbler with Flip Lid (20 oz)," dated Aug. 30, 2018, downloaded from https://www.amazon.com/Otterbox-Elevation-Tumbler-Flip-Lid/dp/B07DHX4NS9/ref=sr_3?ie=UTF8&qid=1549297189&sr=8-3&keywords=Elevation+20+Tumbler Feb. 4, 2019, 1 page.

amazon.com, "Silver Buffalo 20 oz Stainless Steel Tumbler, Red," dated Dec. 22, 2016, downloaded from <https://www.amazon.com/Silver-Buffer-20-oz-Stainless-Steel-Tumbler/dp/B01MT1T7WG> Jun. 13, 2018, 1 page.

Liquid Logic, "Pro32: Double Wall, Insulated Vacuum, Condensation Free Tumbler," dated Apr. 5, 2016, downloaded from www.amazon.com/Pro32-Insulated-Condensation-Tumbler-Stainless/dp/B01DUBM6CO/ref=lp_2595554011_1_7?srs=2595554011&ie=UTF8& Jun. 13, 2018, 1 page.

Ninja, "Ninja Single Serve Cup Set," dated Jul. 13, 2013, downloaded from https://www.amazon.com/...UTF8&pd_rd_i=BO11IW4XD8&pd_rd_r=4CQK27ABX6AHV038GMGF&pd_rd_w=jABEu&pd_rd_wg=zgOK2&ppsc=1 on Mar. 9, 2017, 3 pages.

OtterBox, "OtterBox Elevation Tumbler (20oz)," dated Jul. 10, 2018, downloaded from <https://www.amazon.com/OtterBox-Elevation-Tumbler-Global-Stainless/dp/BOOZ7RVVN6> Dec. 15, 2018, 1 page.

* cited by examiner

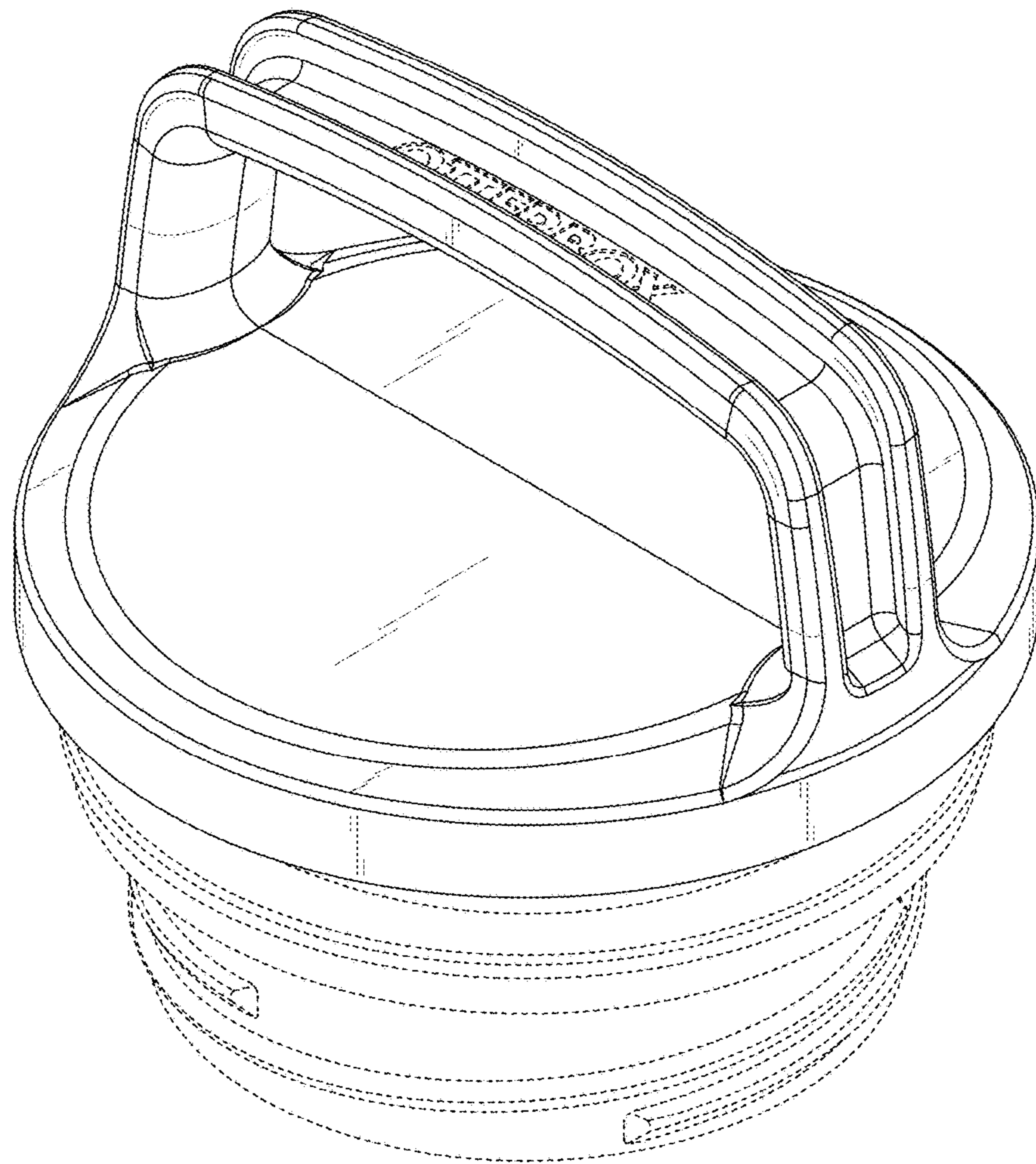


FIG. 1

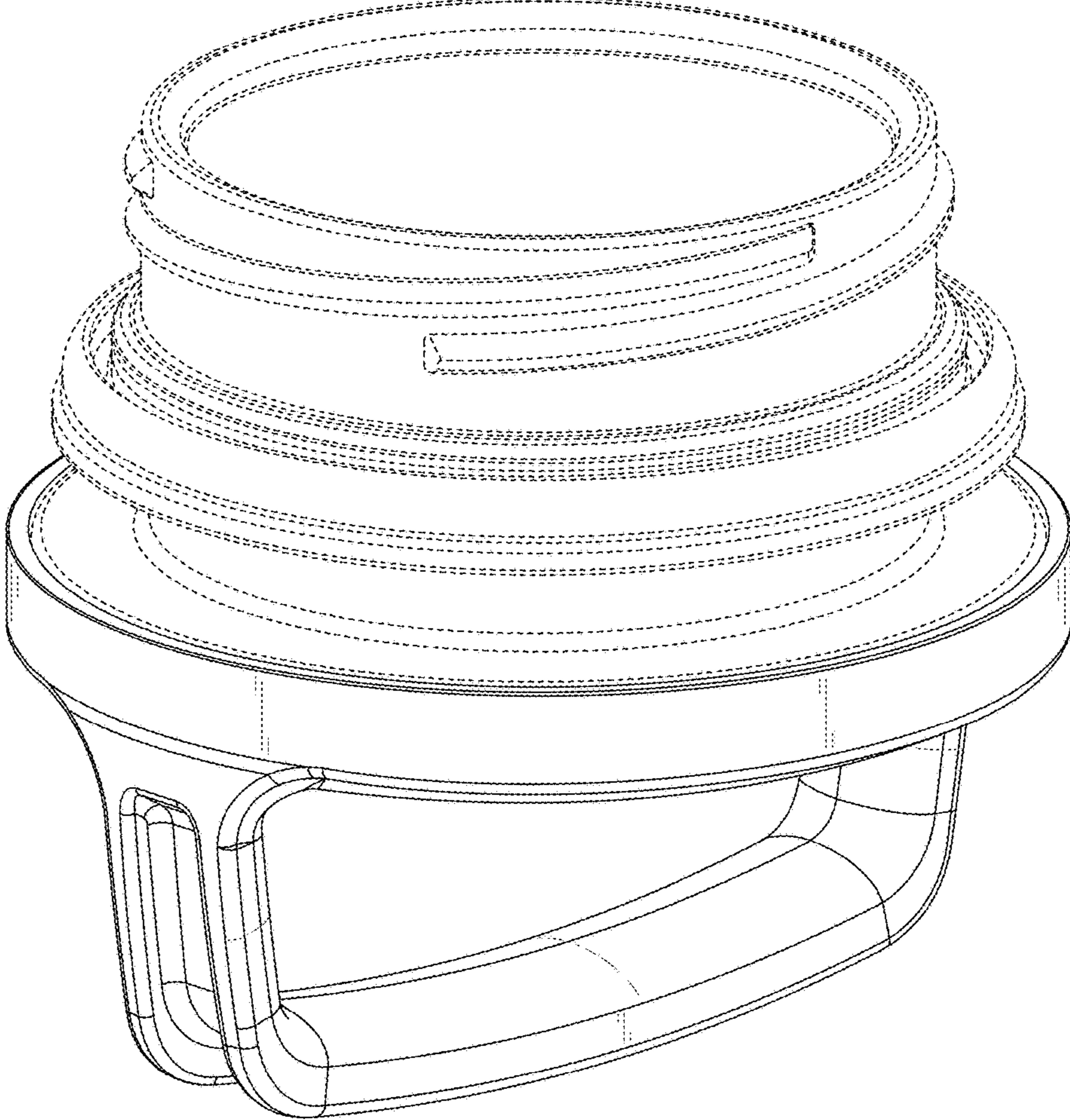


FIG. 2

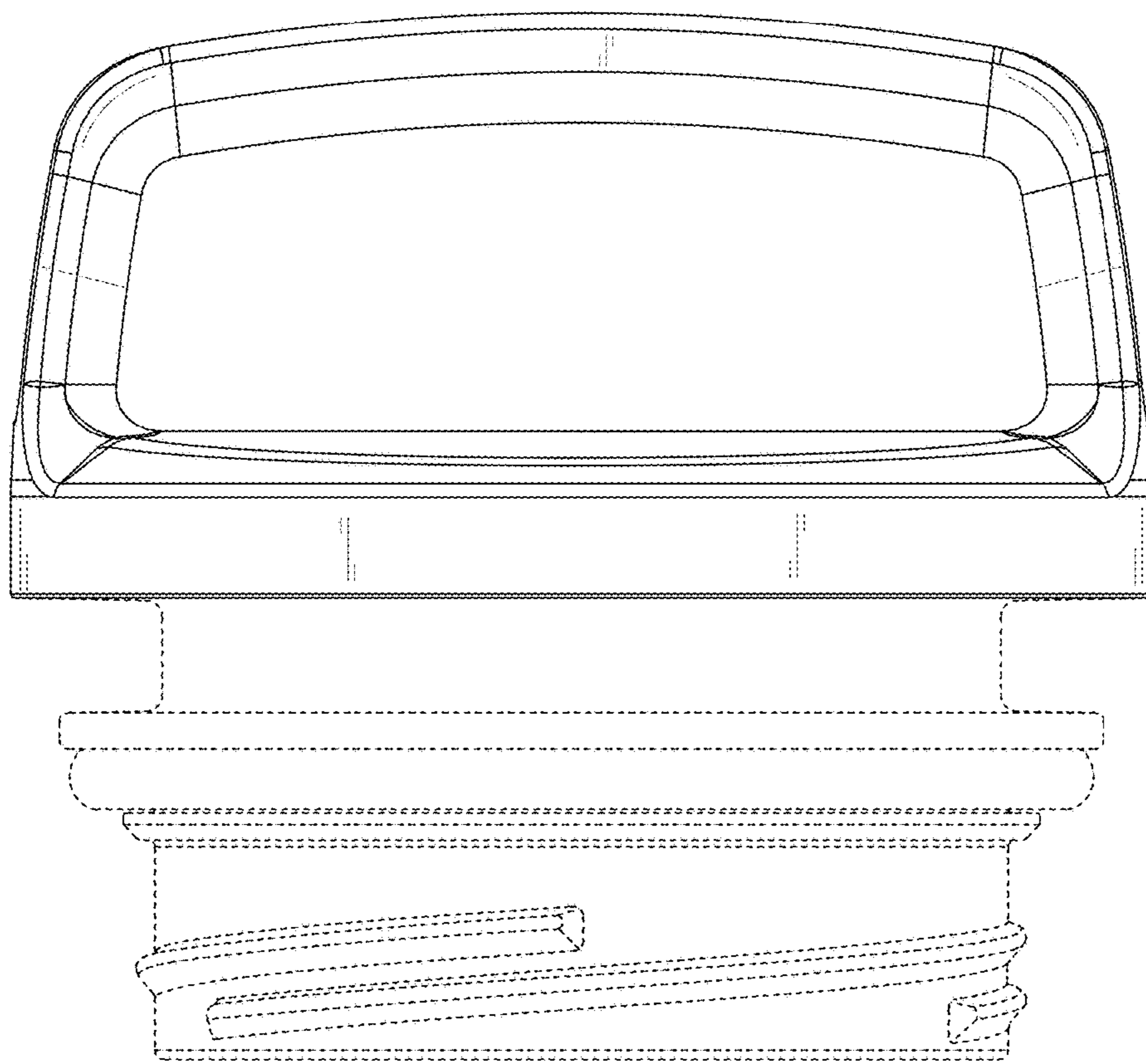


FIG. 3

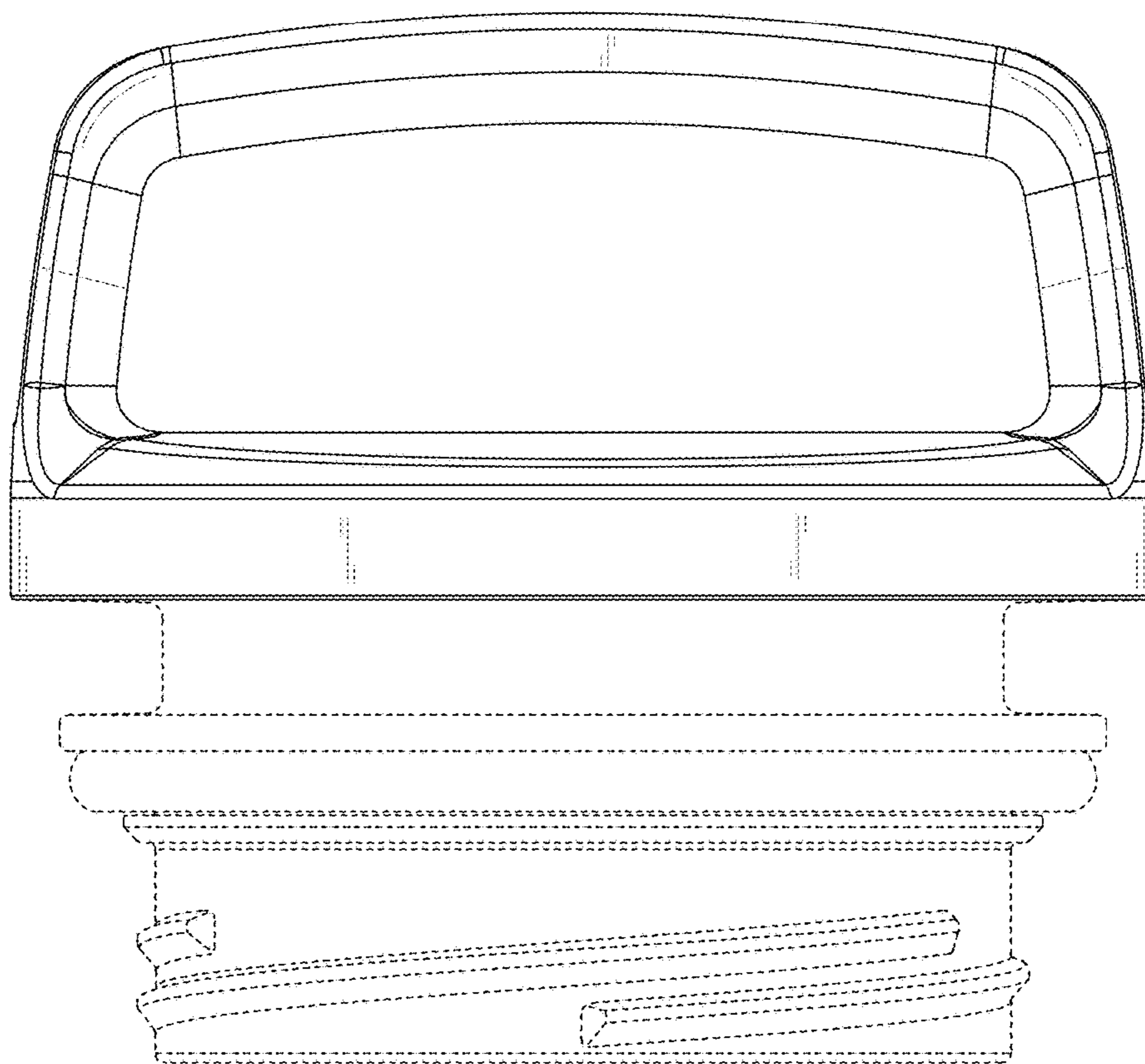


FIG. 4

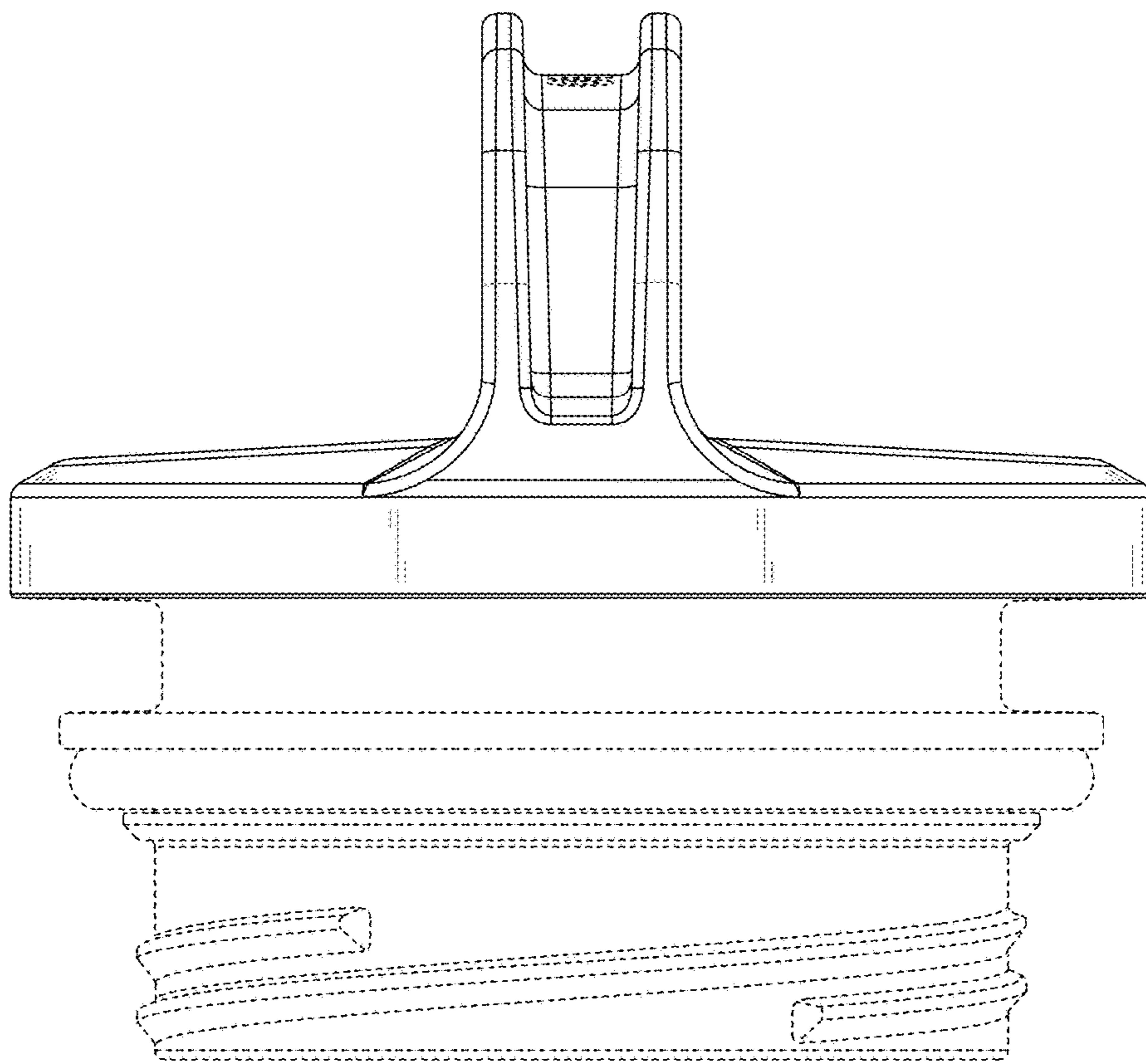


FIG. 5

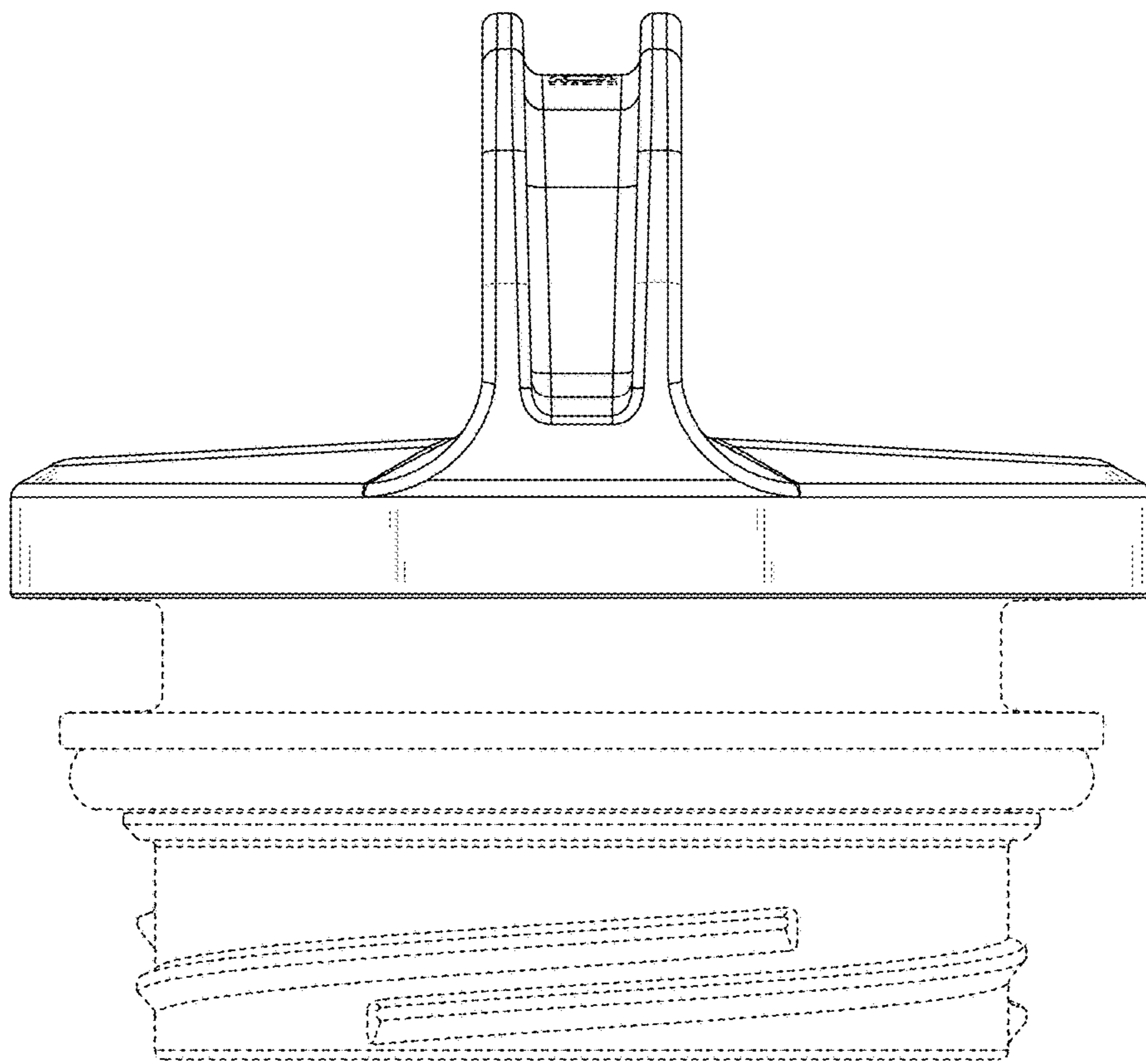


FIG. 6

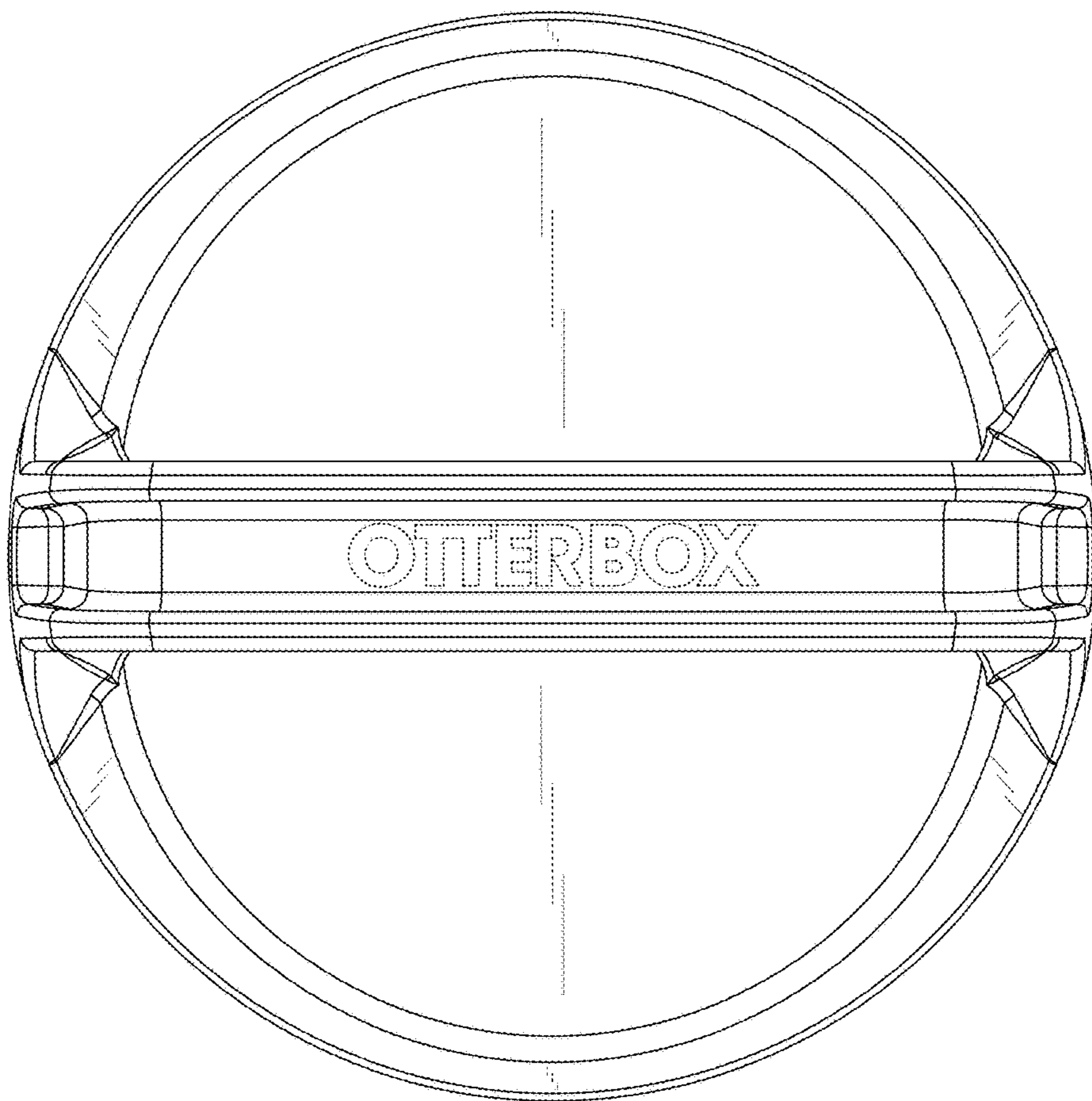


FIG. 7

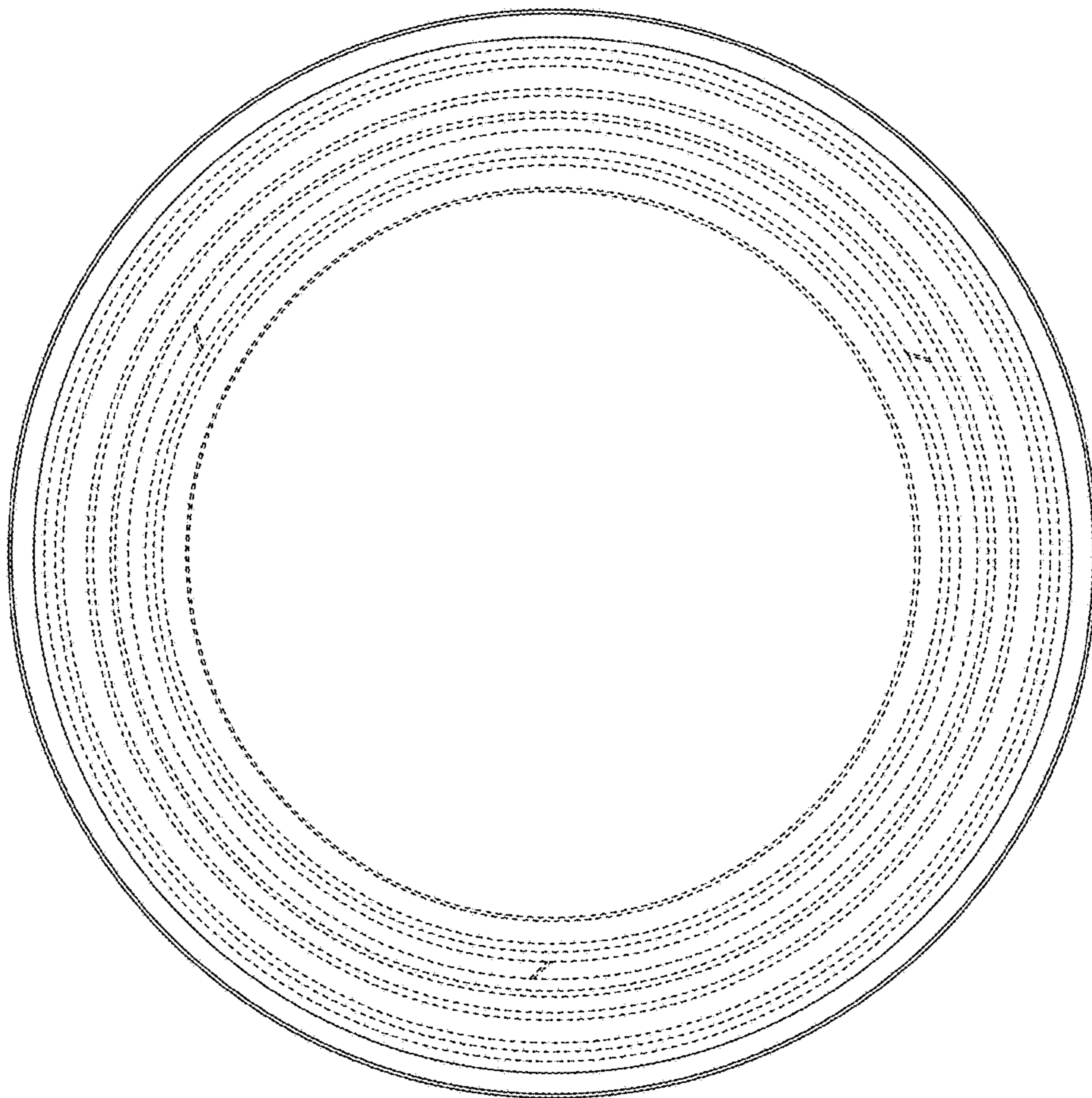


FIG. 8