

US00D860714S

(12) **United States Design Patent**  
**Dai**

(10) **Patent No.:** **US D860,714 S**

(45) **Date of Patent:** **\*\* Sep. 24, 2019**

- (54) **LID**
- (71) Applicant: **ShenZhen YiHong Technology Co., LTD**, ShenZhen, Guangdong (CN)
- (72) Inventor: **Yi Dai**, ShenZhen (CN)
- (73) Assignee: **SHENZHEN YIHONG TECHNOLOGY CO., LTD**, ShenZhen, Guangdong Province (CN)
- (\*\*) Term: **15 Years**
- (21) Appl. No.: **29/696,165**
- (22) Filed: **Jun. 25, 2019**
- (51) **LOC (12) Cl.** ..... **07-02**
- (52) **U.S. Cl.**  
USPC ..... **D7/391**
- (58) **Field of Classification Search**  
USPC ..... D7/391, 392, 392.1, 393, 397, 601–602, D7/605, 629–630, 538–542; D9/414, D9/424–432, 435, 451–452  
CPC ..... A47G 19/02; A47J 36/027; A47J 36/06; A47J 37/10; A47J 37/101; B29C 45/0025; B29C 45/0081; B65D 21/0209; B65D 25/04; B65D 43/00; B65D 43/02; B65D 43/0206; B65D 43/0218; B65D 43/022; B65D 43/161; B65D 43/162; B65D 45/00; B65D 45/16; B65D 45/18; B65D 45/20; B65D 51/16; B65D 51/1683; B65D 51/1688; B65D 51/1694; B65D 53/00; B65D 2251/00; B65F 1/1615  
See application file for complete search history.

- (56) **References Cited**  
U.S. PATENT DOCUMENTS  
6,415,947 B1 \* 7/2002 Kim ..... B29C 45/0025  
220/326  
D481,910 S \* 11/2003 Kim ..... D7/629

- D549,519 S \* 8/2007 Moon ..... D7/391
- D651,477 S 1/2012 Nie
- D651,479 S \* 1/2012 Nie ..... D7/629
- D675,057 S \* 1/2013 Harvey ..... D7/391
- D677,116 S \* 3/2013 Smyers ..... D7/391
- D677,117 S \* 3/2013 Smyers ..... D7/391
- D692,281 S \* 10/2013 George ..... D7/629
- D700,010 S \* 2/2014 Duvigneau ..... D7/391
- D722,832 S \* 2/2015 Ra ..... D7/602
- D722,834 S \* 2/2015 Beckman ..... D7/629
- D763,629 S \* 8/2016 Swartz ..... D7/629
- D796,266 S \* 9/2017 Croft ..... D7/538
- D800,494 S \* 10/2017 Peng ..... D7/391
- D803,631 S \* 11/2017 Min ..... D7/605
- D820,636 S \* 6/2018 Zhang ..... D7/392.1
- D825,284 S \* 8/2018 Morales ..... D7/629
- D828,083 S \* 9/2018 Zhang ..... D7/392.1
- D828,084 S \* 9/2018 Zhang ..... D7/392.1
- D828,716 S \* 9/2018 Zhang ..... D7/392.1
- D828,717 S 9/2018 Zhang

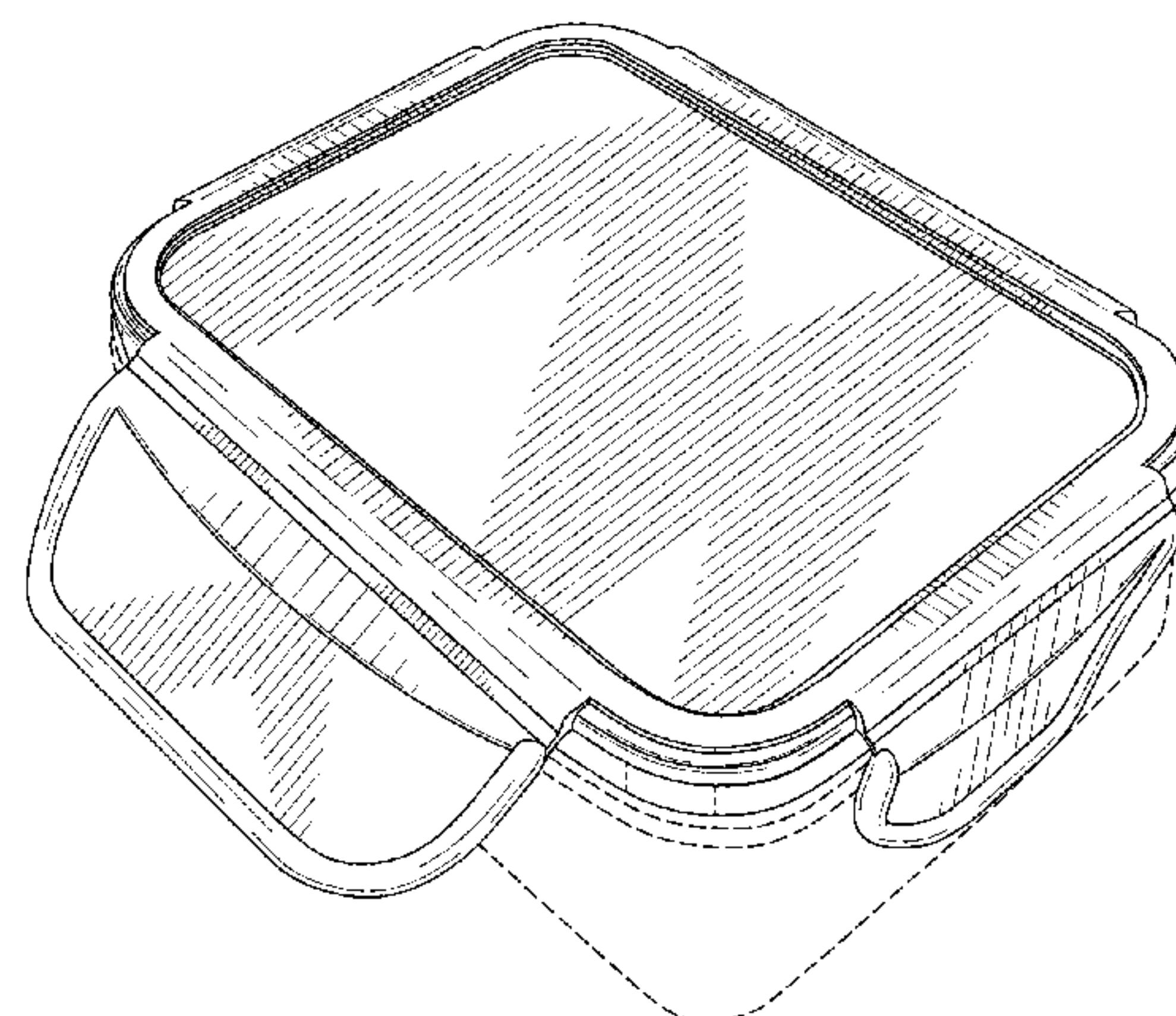
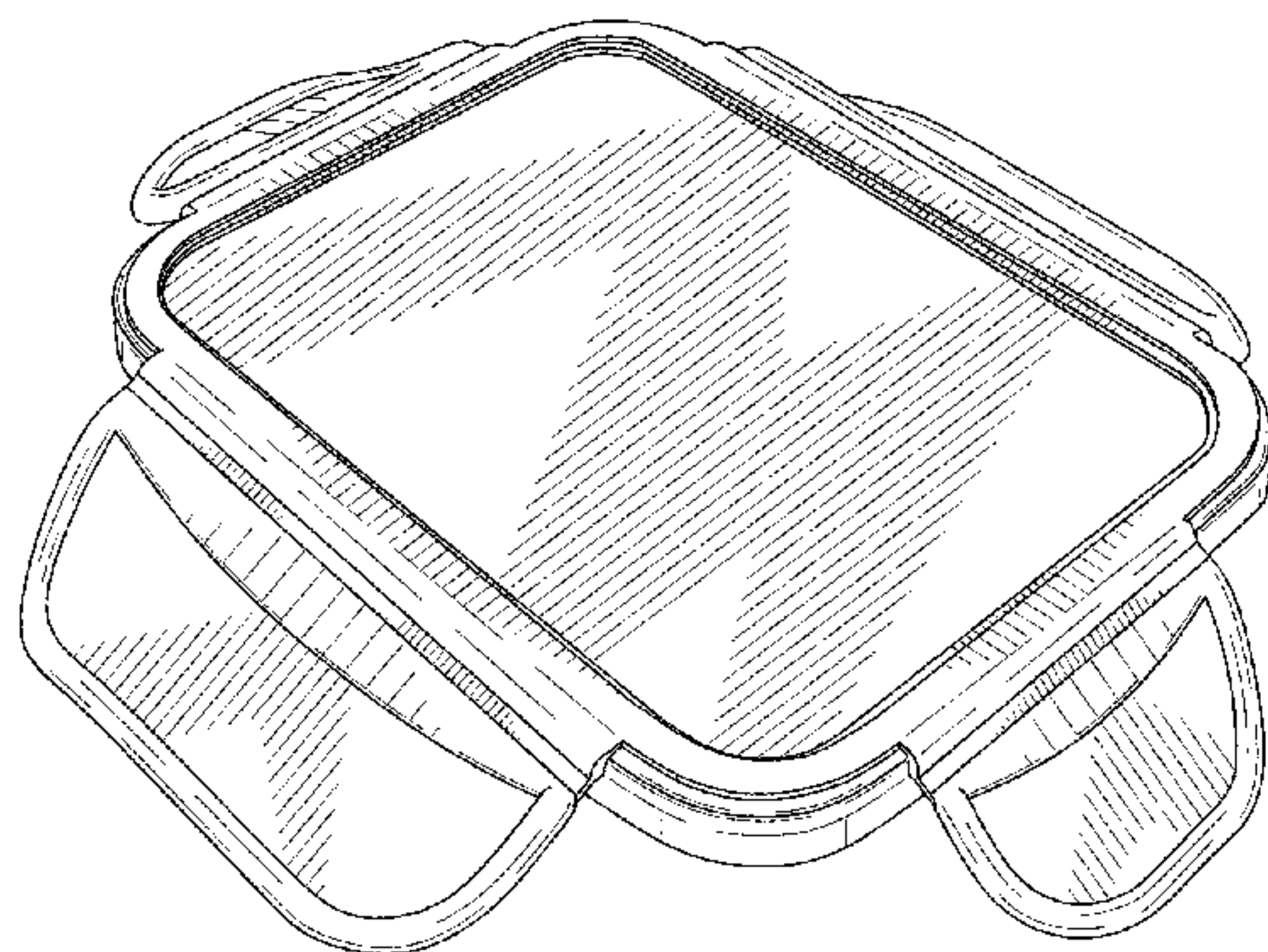
(Continued)

*Primary Examiner* — Ricky Pham  
(74) *Attorney, Agent, or Firm* — Jeanette Meng Nakagawa

(57) **CLAIM**  
The ornamental design for a lid, as shown and described.

**DESCRIPTION**  
FIG. 1 is a front perspective view from above of a lid showing my new design;  
FIG. 2 is a front view thereof;  
FIG. 3 is a top view thereof;  
FIG. 4 is a right side view thereof;  
FIG. 5 is a back view thereof;  
FIG. 6 is a bottom view thereof;  
FIG. 7 is a left side view thereof; and,  
FIG. 8 is a perspective view of the lid positioned over a container.  
Broken lines in FIGS. 8 are for the purpose of illustrating the lid in use, and form no part of the claimed design.

**1 Claim, 4 Drawing Sheets**



(56)

**References Cited**

U.S. PATENT DOCUMENTS

2004/0084464 A1\* 5/2004 Koo ..... B65D 43/0218  
220/784  
2012/0024856 A1\* 2/2012 Smyers ..... A47G 19/02  
220/324  
2012/0267369 A1\* 10/2012 Duvigneau ..... B29C 45/0081  
220/203.01  
2013/0233854 A1\* 9/2013 Smyers ..... B65D 53/00  
220/240  
2014/0103033 A1\* 4/2014 Beckman ..... B65D 25/04  
220/4.01  
2016/0332785 A1\* 11/2016 Sexton ..... B65D 45/20

\* cited by examiner



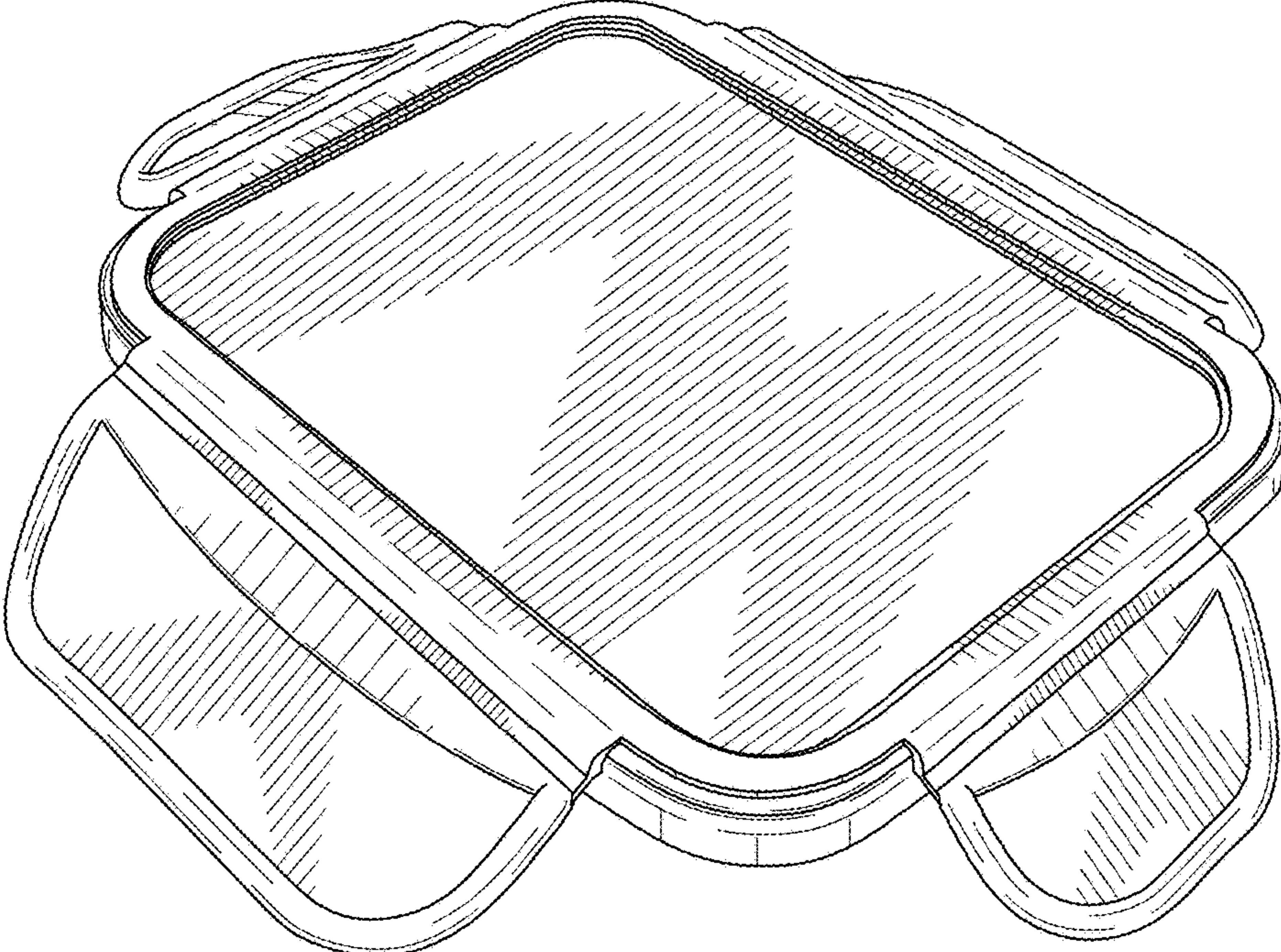


FIG. 1

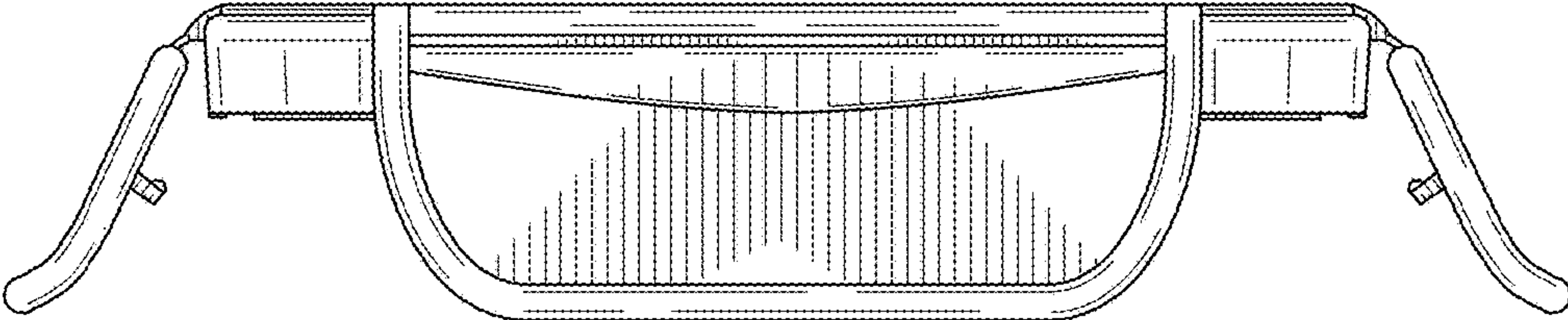


FIG. 2

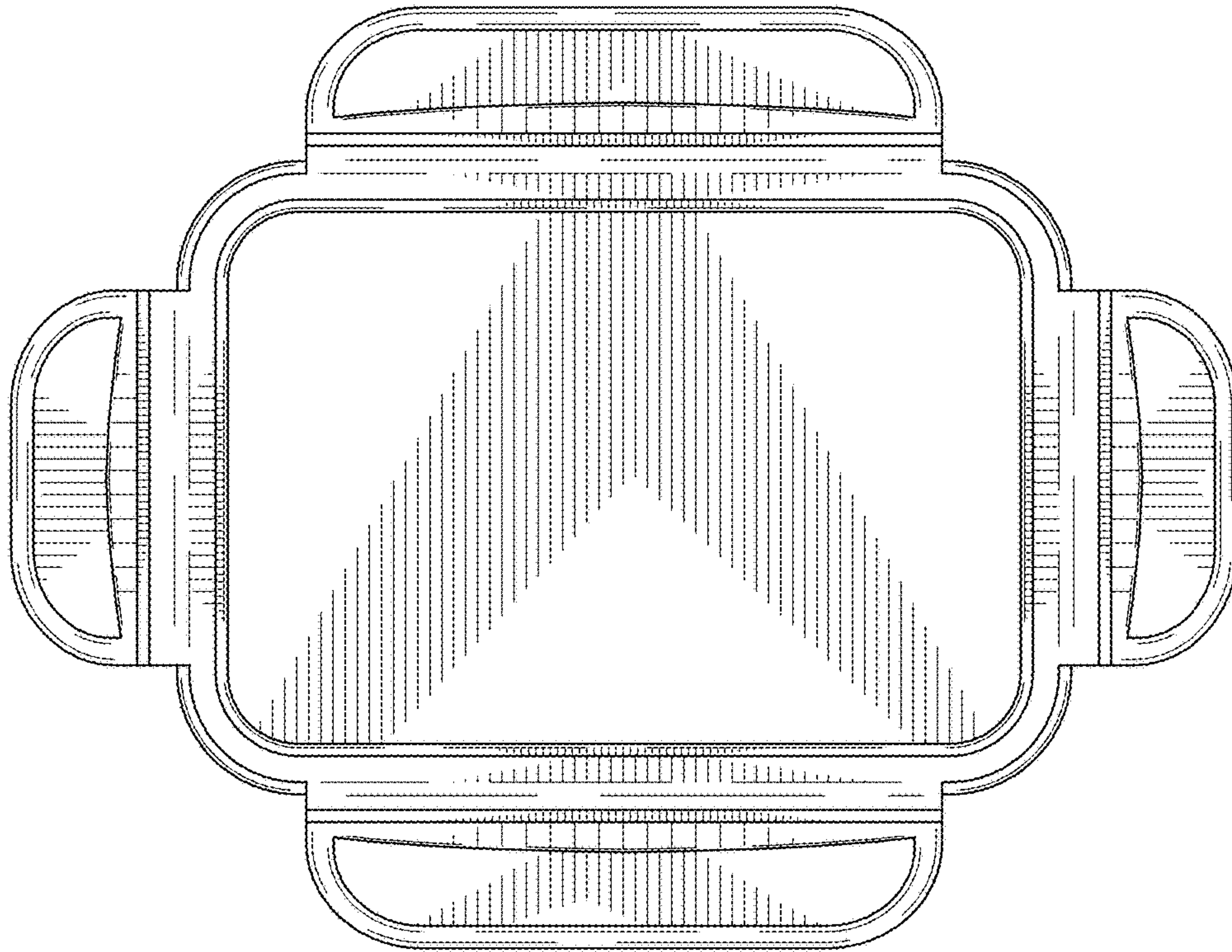


FIG. 3

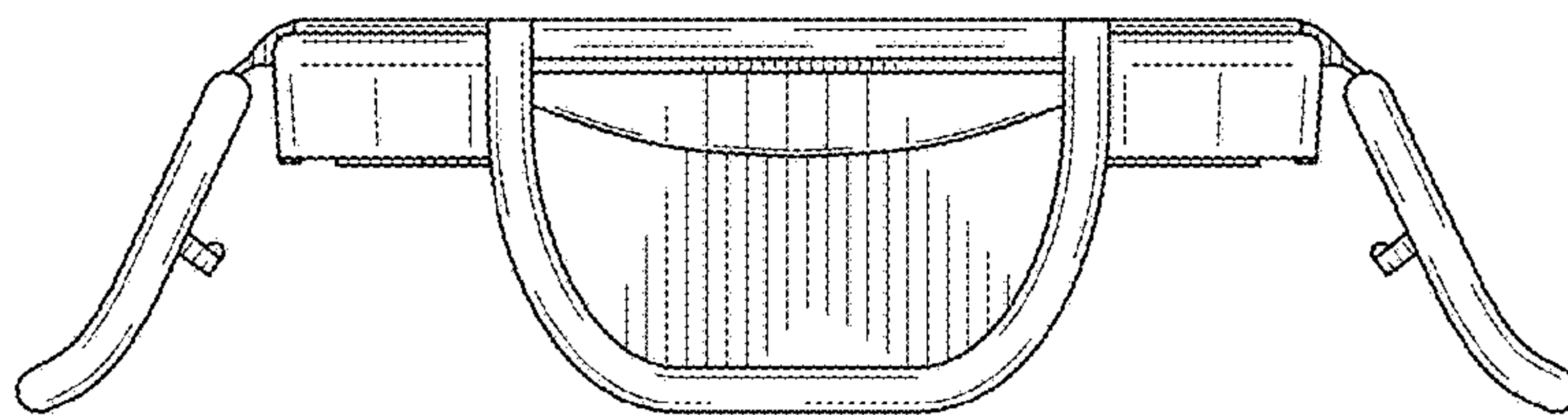


FIG. 4

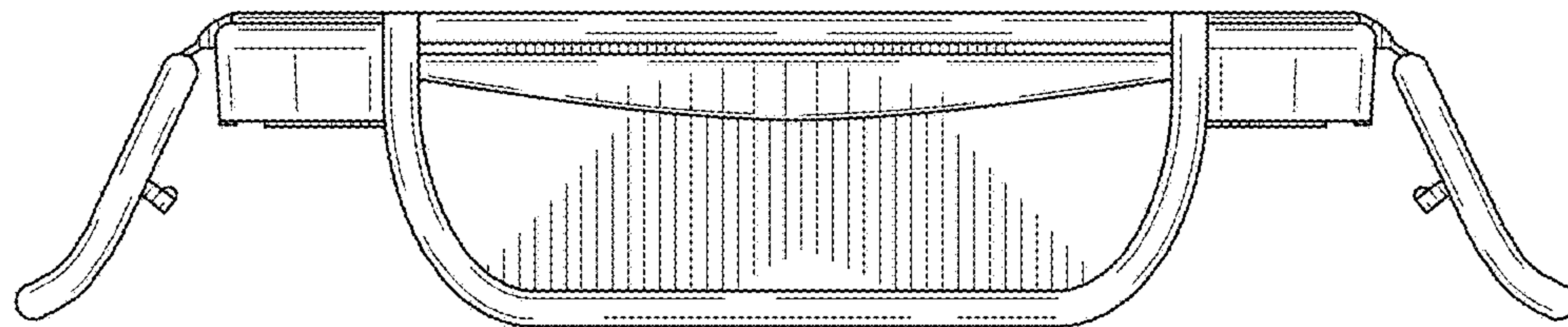


FIG. 5

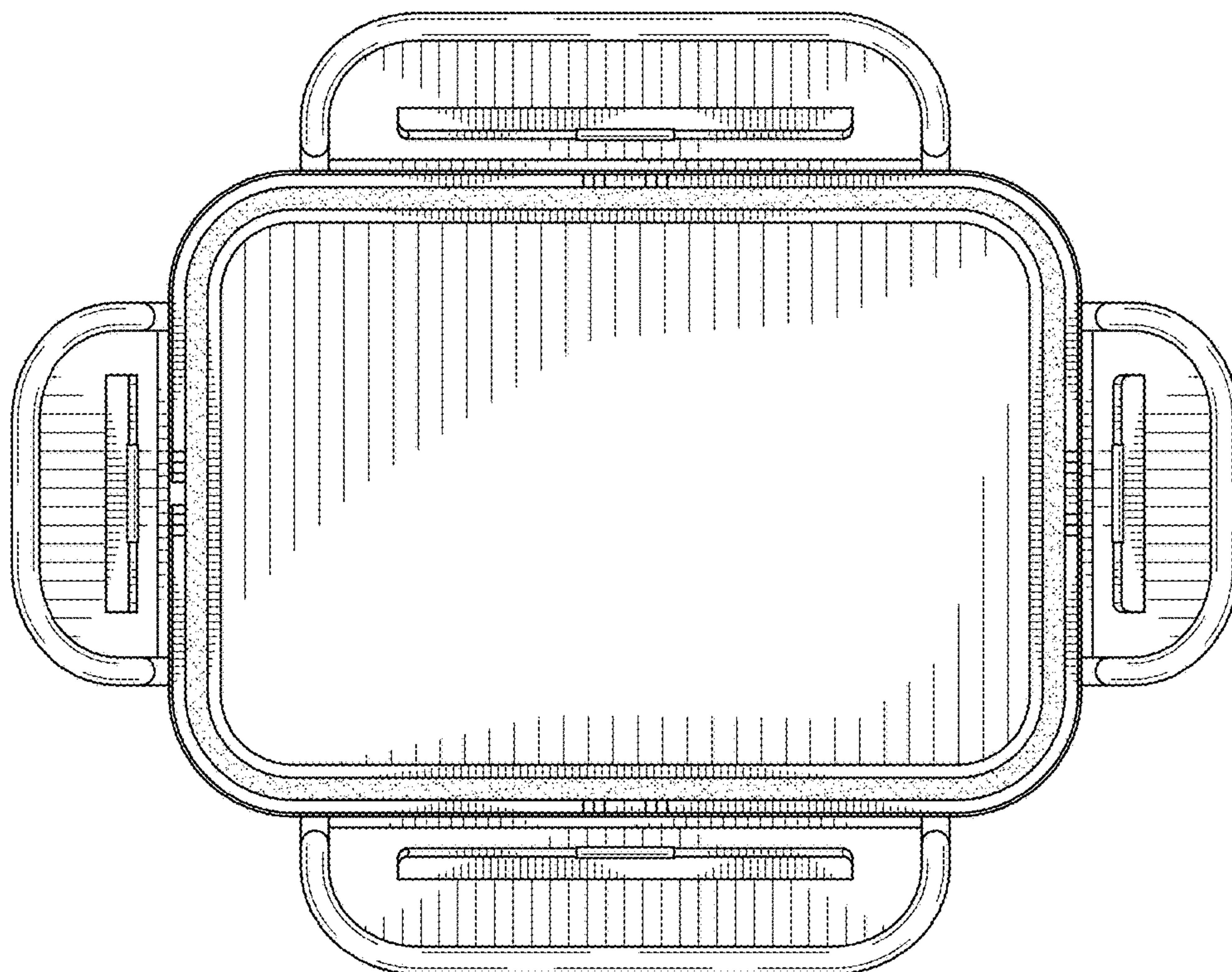


FIG. 6



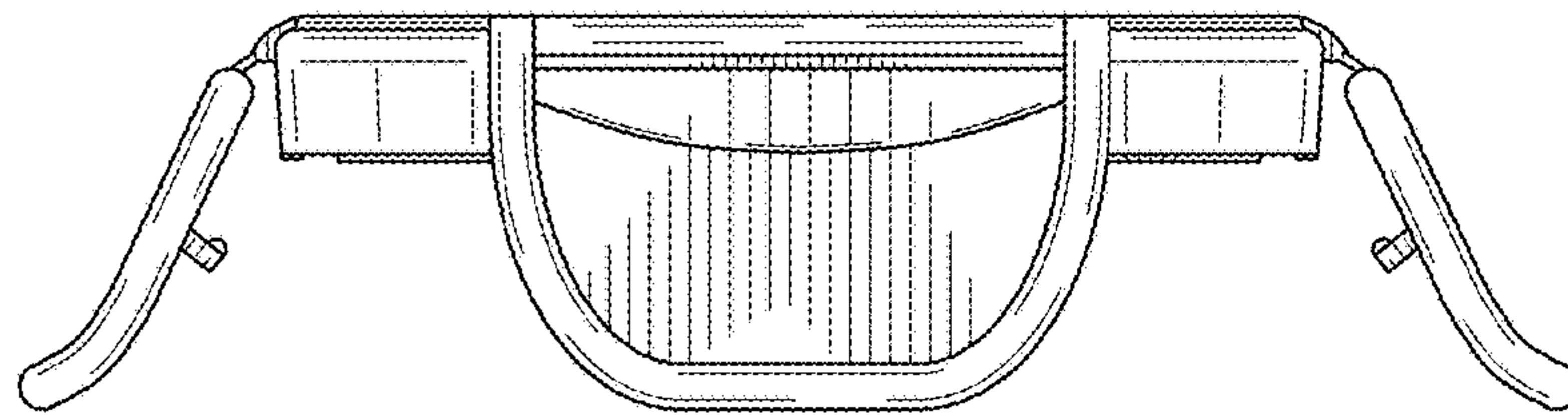


FIG. 7

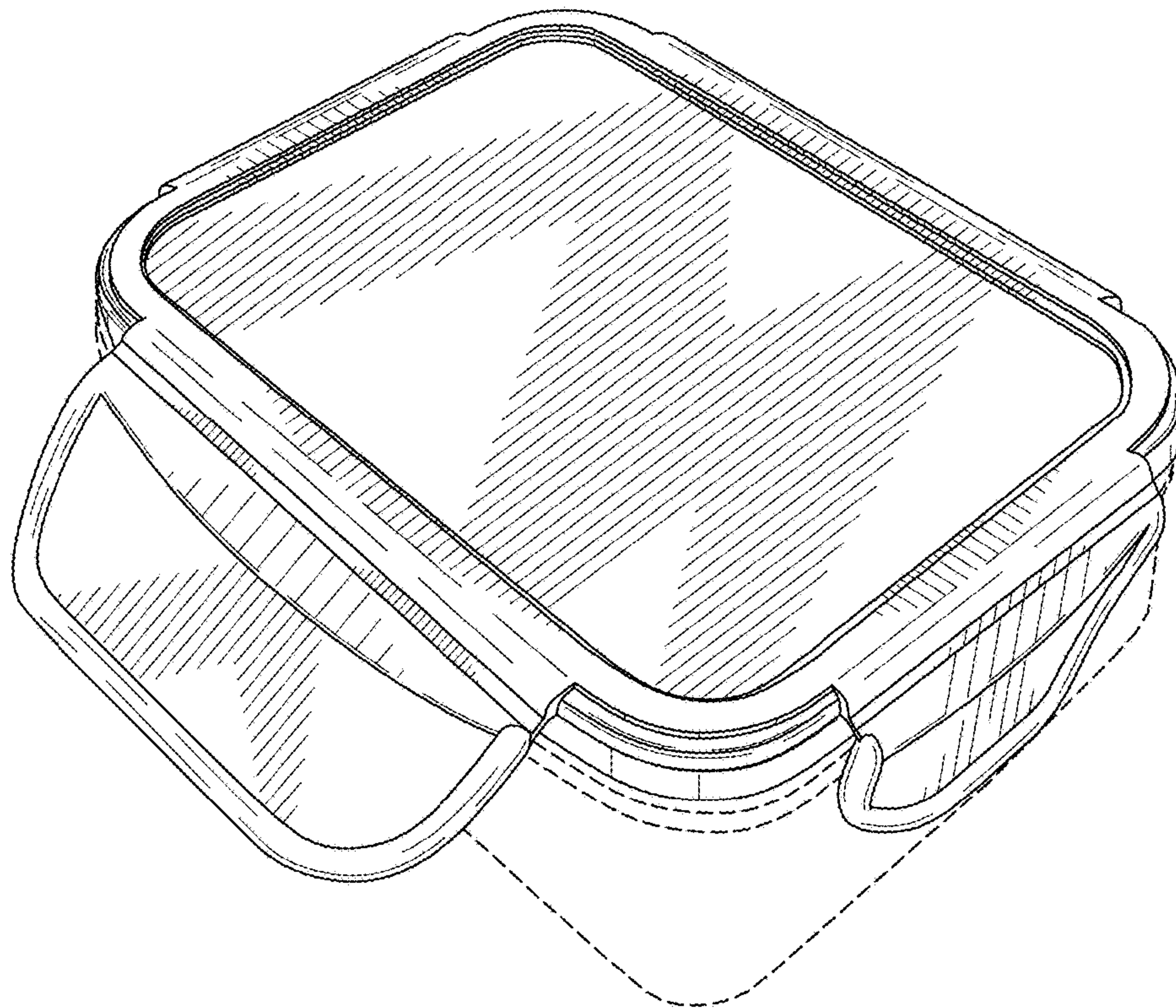


FIG. 8