



US00D860713S

(12) **United States Design Patent** (10) **Patent No.:** **US D860,713 S**  
**Bassill et al.** (45) **Date of Patent:** **\*\* Sep. 24, 2019**

(54) **INDUCTION APPLIANCE**

(56) **References Cited**

(71) Applicant: **HATCO CORPORATION**,  
Milwaukee, WI (US)  
  
(72) Inventors: **Brandon Bassill**, Malibu, CA (US);  
**Nick Bassill**, Malibu, CA (US); **Mark  
Gilpatric**, Milwaukee, WI (US); **Hans  
Wildebush**, Milwaukee, WI (US);  
**Michael Whiteley**, Waukesha, WI (US);  
**Kelly Wright**, Ringwood, IL (US);  
**John Scanlon**, Sturgeon Bay, WI (US)

U.S. PATENT DOCUMENTS

D139,751 S	12/1944	Springwell	
D187,835 S	5/1960	Lee	
D195,657 S	7/1963	Sullivan	
D205,820 S *	9/1966	Ryan	D7/364
D229,448 S	11/1973	Tractlet	
D230,390 S	2/1974	Tyke	
D236,183 S *	8/1975	Greger	D7/363
D249,864 S	10/1978	Mackay	
4,145,603 A	3/1979	Mackay	
D261,849 S	11/1981	Funaki	
D285,523 S	9/1986	Ayukawa	
D289,130 S	4/1987	Rengeji	
D289,847 S	5/1987	Okamoto	
D296,509 S	7/1988	Fuke	
D326,387 S	5/1992	Monitto	

(73) Assignee: **HATCO CORPORATION**,  
Milwaukee, WI (US)

(\*\*) Term: **15 Years**

(21) Appl. No.: **29/624,990**

(22) Filed: **Nov. 6, 2017**

(Continued)

*Primary Examiner* — Ricky Pham

(74) *Attorney, Agent, or Firm* — Ryan Kromholz &  
Manion, S.C.

**Related U.S. Application Data**

(62) Division of application No. 29/550,719, filed on Jan. 6, 2016, now Pat. No. Des. 814,848, which is a division of application No. 29/506,842, filed on Oct. 21, 2014, now Pat. No. Des. 751,855.

(51) **LOC (12) Cl.** ..... **07-02**

(52) **U.S. Cl.**  
USPC ..... **D7/367; D7/362; D7/363**

(58) **Field of Classification Search**  
USPC ..... D7/323, 337, 339, 341, 352, 354–355,  
D7/362–367, 407, 409–411  
CPC ..... A21B 1/06; A21B 1/50; A21B 1/52; A47J  
37/04; A47J 37/06; A47J 37/015; A47J  
37/067; A47J 37/0611; A47J 37/0629;  
A47J 37/0676; F24C 7/06; F24C 7/083;  
F24C 15/02; F24C 15/166; H05B 3/20;  
H05B 3/40; H05B 6/1209

See application file for complete search history.

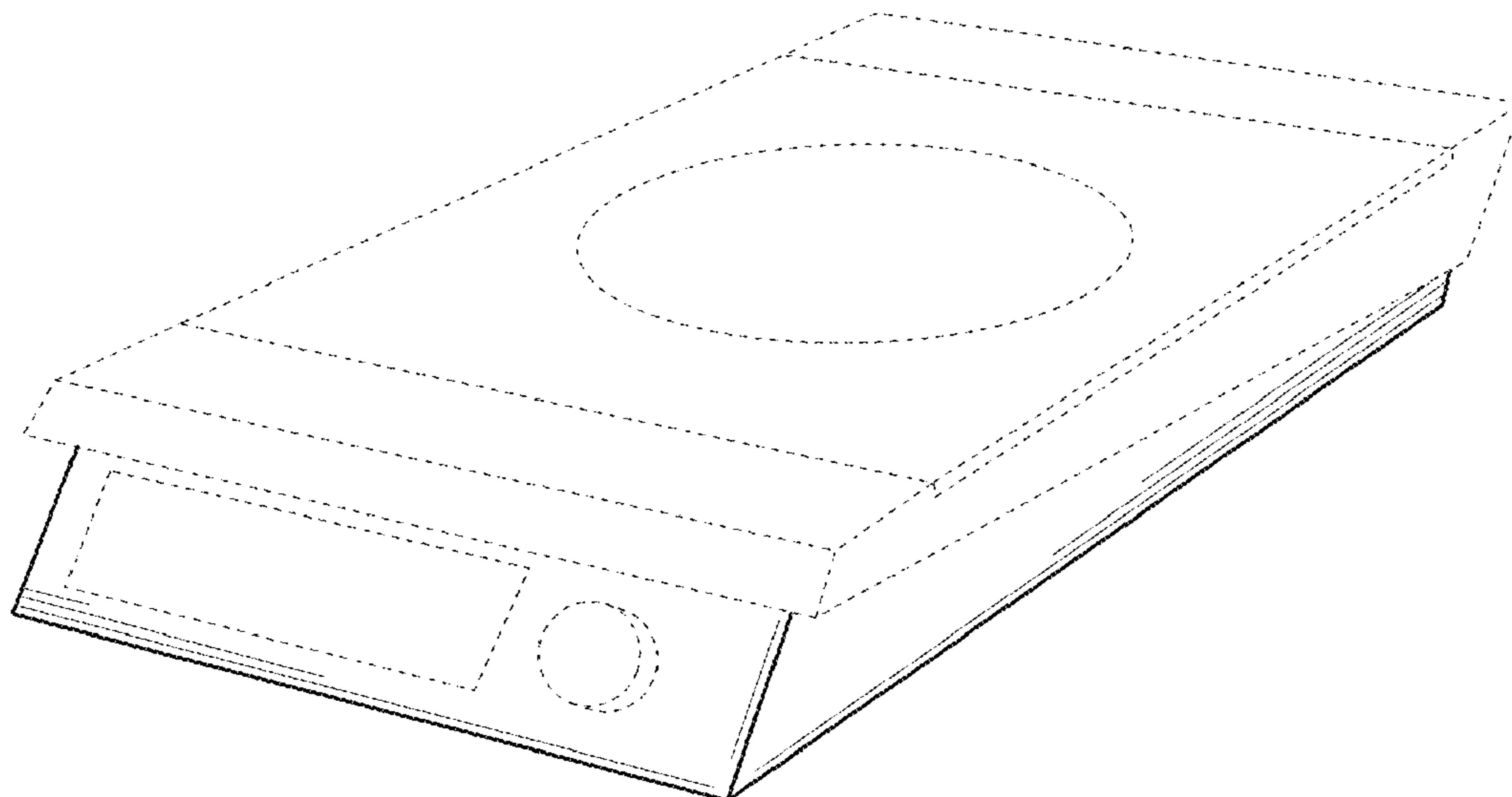
(57) **CLAIM**

The ornamental design for an induction appliance, as shown and described.

**DESCRIPTION**

FIG. 1 is a perspective view of an embodiment of the induction appliance;  
FIG. 2 is a front elevation view thereof;  
FIG. 3 is a rear elevation view thereof;  
FIG. 4 is a right side elevation view thereof;  
FIG. 5 is a left side elevation view thereof;  
FIG. 6 is a top plan view thereof; and,  
FIG. 7 is a bottom plan view thereof.  
The broken lines shown in the drawings are for illustrative purposes only and form no part of the claimed design.

**1 Claim, 2 Drawing Sheets**



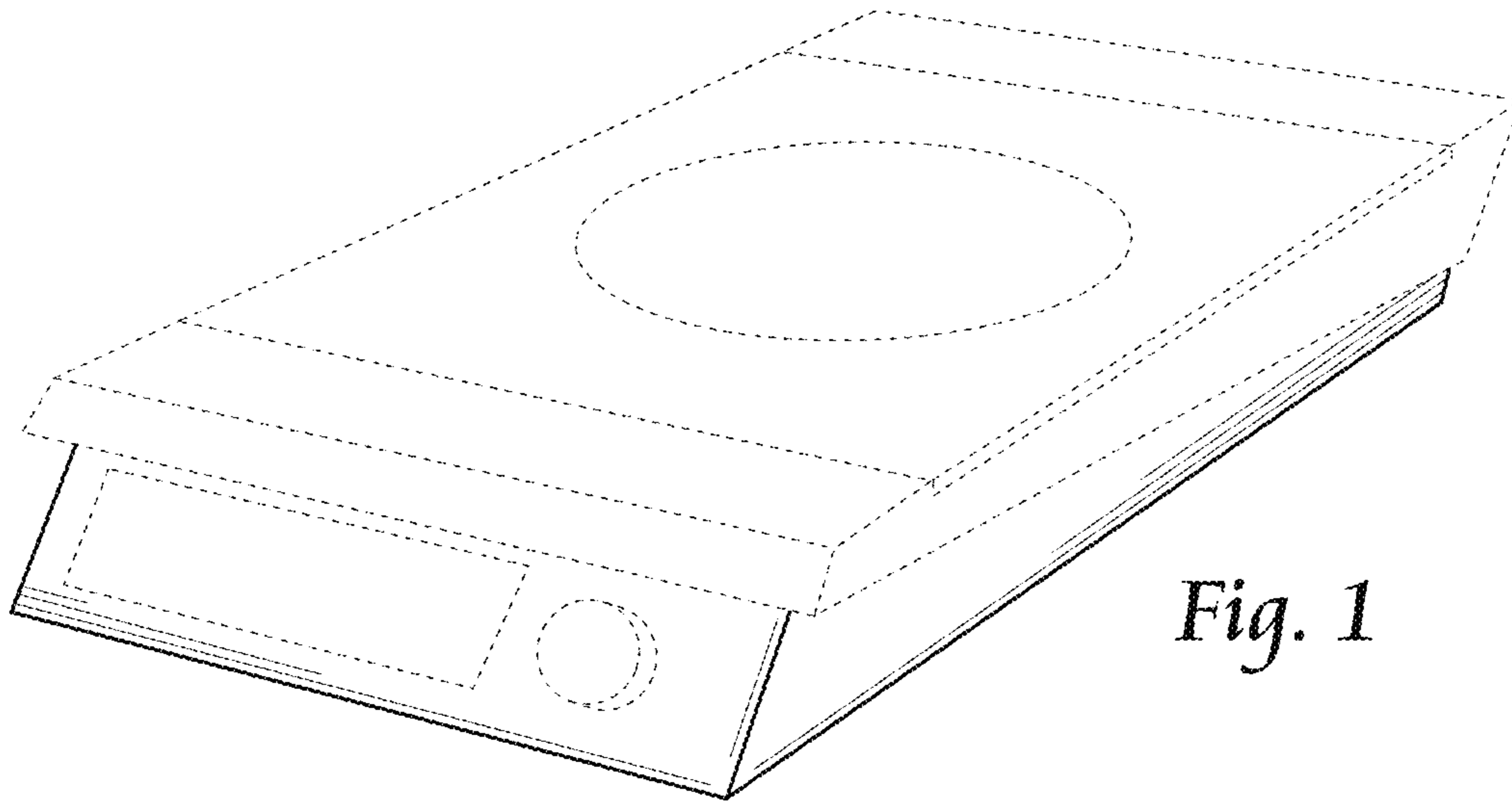
(56)

References Cited

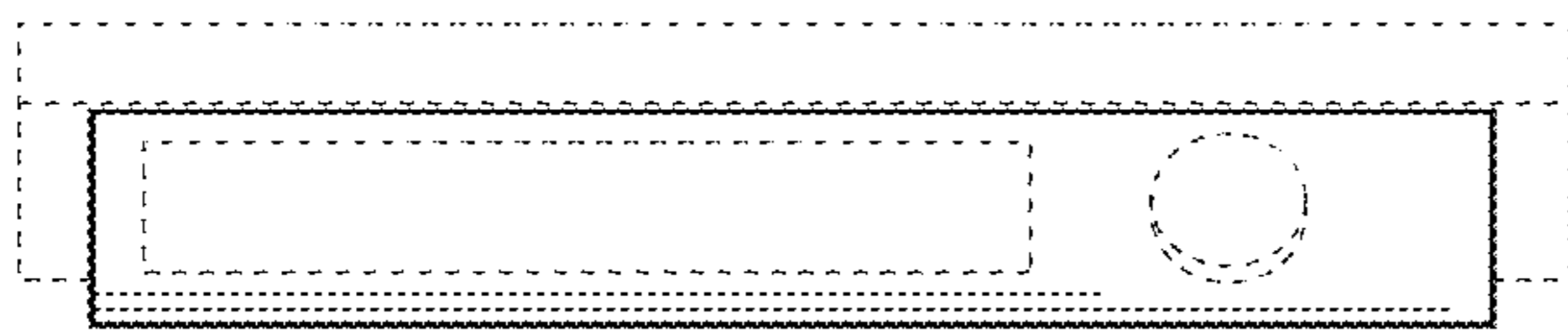
U.S. PATENT DOCUMENTS

D341,987	S	12/1993	Erickson	
5,687,642	A	11/1997	Chao	
5,740,723	A	4/1998	Lin	
6,087,637	A	7/2000	Fischer	
D438,423	S	3/2001	Bassill	
D483,224	S	12/2003	Clark	
D501,117	S	1/2005	Bassill	
D503,067	S	3/2005	Lubowicki	
D533,016	S	12/2006	Genslak	
D575,098	S	8/2008	Seymour	
D580,701	S	11/2008	Wojcik	
D621,205	S	8/2010	Yeung	
D643,674	S	8/2011	Lee	
D644,867	S	9/2011	Janvier	
D686,036	S	7/2013	Nelson	
D696,549	S	12/2013	Pennington	
D706,576	S *	6/2014	Boo .....	D7/407
D745,802	S	12/2015	Yao	
D751,855	S	3/2016	Bassill	
D755,560	S	5/2016	Day	
D790,910	S *	7/2017	Hosoda .....	D7/362
D793,801	S *	8/2017	Bassill .....	D7/362
D799,886	S *	10/2017	Davenport .....	D7/352
D814,848	S *	4/2018	Bassill .....	D7/367
D830,762	S *	10/2018	Bassill .....	D7/367
D830,763	S *	10/2018	Bassill .....	D7/367
D831,409	S *	10/2018	Bassill .....	D7/367
D831,410	S *	10/2018	Bassill .....	D7/367
D832,028	S *	10/2018	Hosoda .....	D7/363
2006/0163242	A1	7/2006	Ciancamino	
2016/0330798	A1 *	11/2016	Kamaunu .....	H05B 6/1209

\* cited by examiner

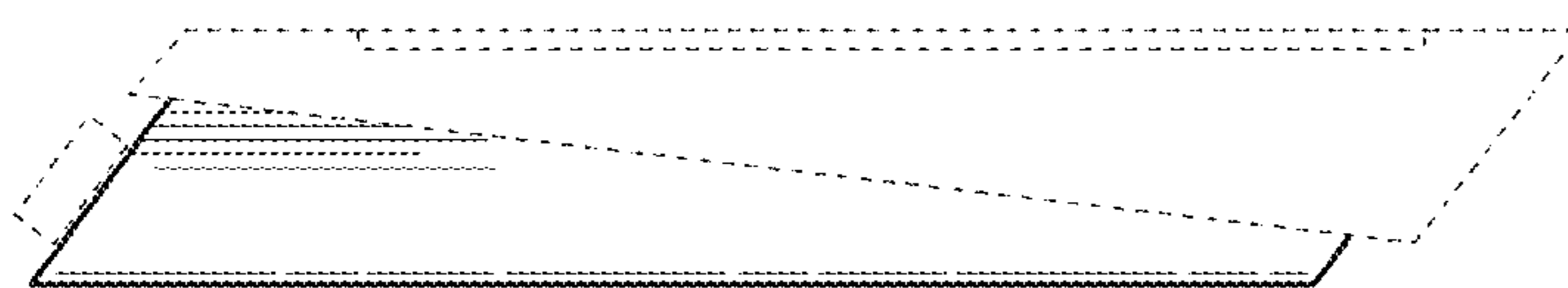
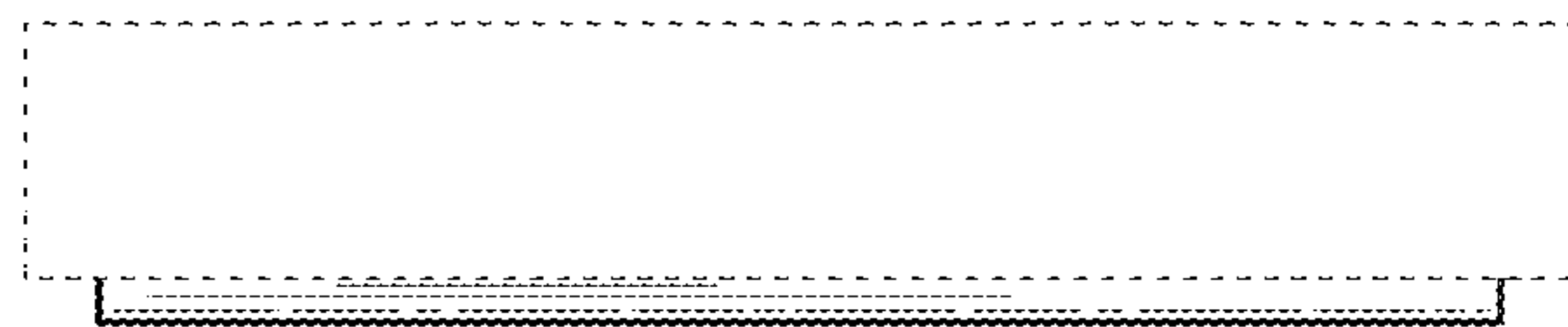


*Fig. 1*

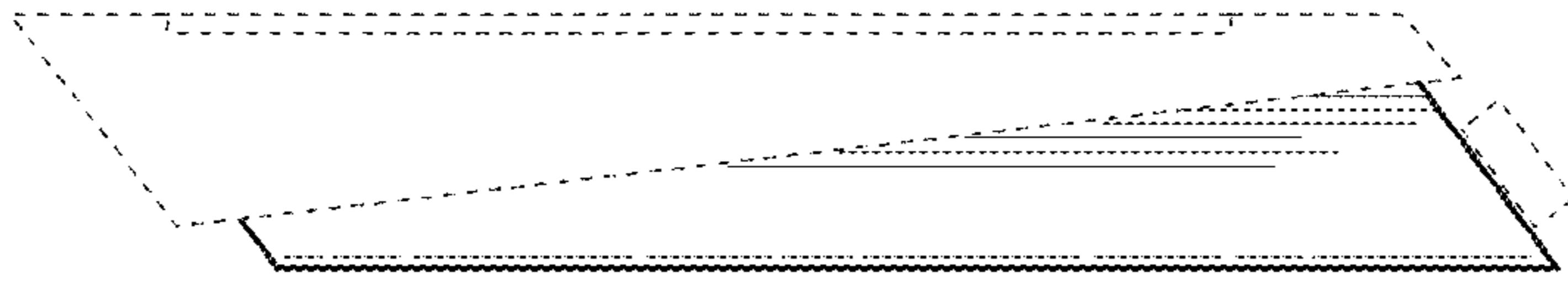


*Fig. 2*

*Fig. 3*

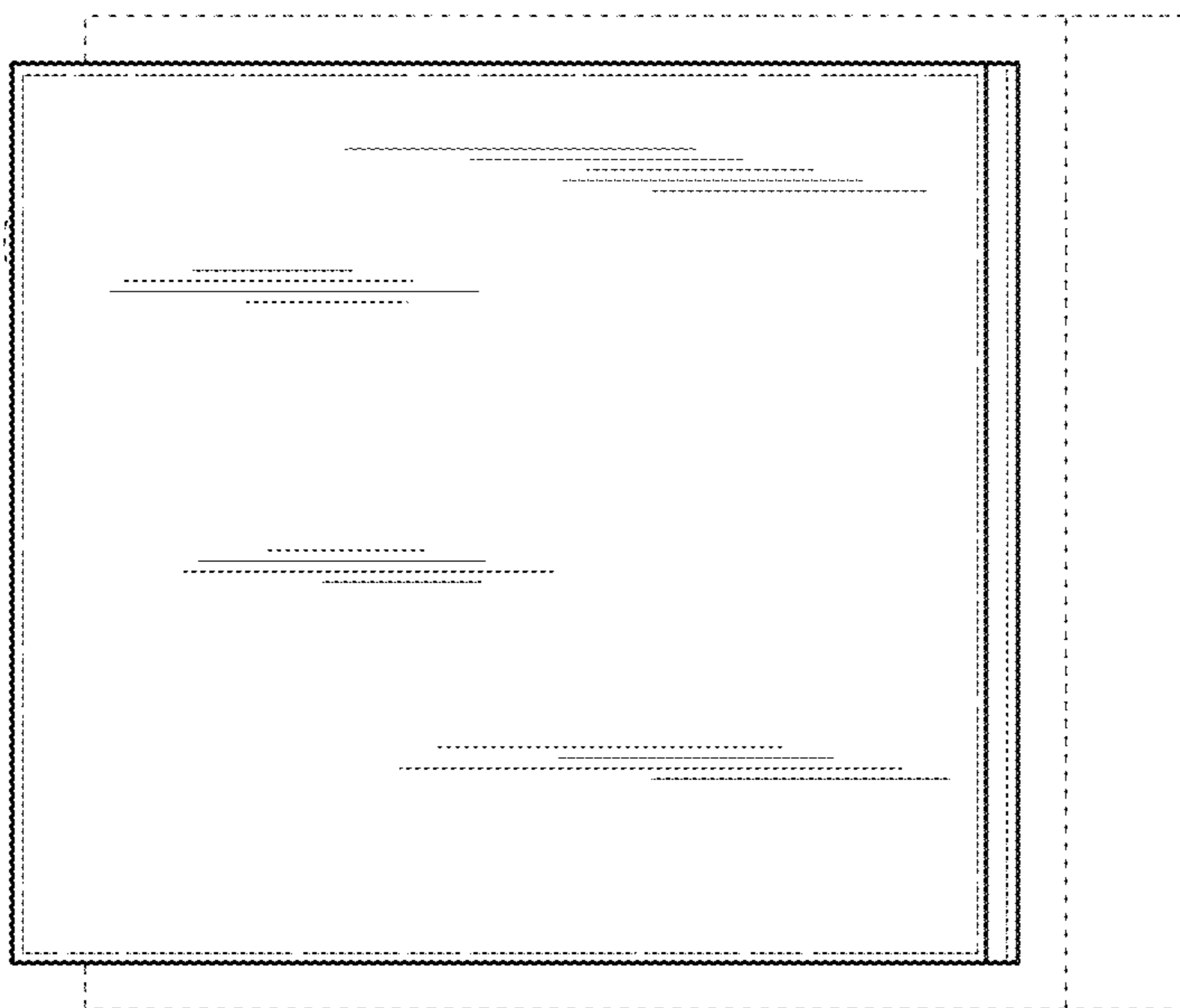
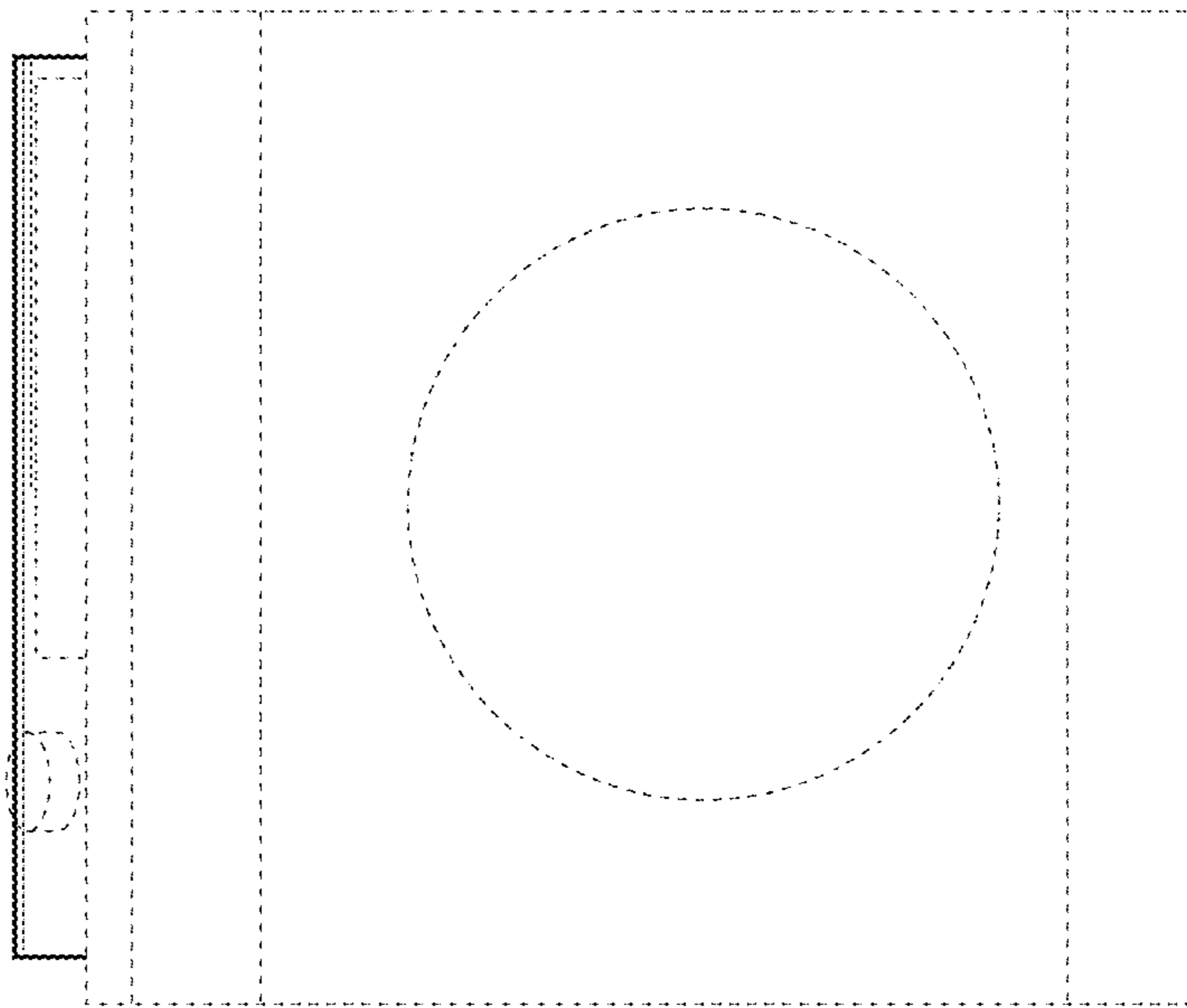


*Fig. 4*



*Fig. 5*

*Fig. 6*



*Fig. 7*