

US00D860712S

(12) **United States Design Patent**
Yang et al.

(10) **Patent No.:** **US D860,712 S**
(45) **Date of Patent:** **** Sep. 24, 2019**

(54) **PRESSURE COOKER**

(71) Applicant: **ETEKCITY CORPORATION**,
Anaheim, CA (US)

(72) Inventors: **Lin Yang**, Shenzhen (CN); **Hai Yang**,
Shenzhen (CN)

(**) Term: **15 Years**

(21) Appl. No.: **29/663,515**

(22) Filed: **Sep. 17, 2018**

(30) **Foreign Application Priority Data**

Mar. 15, 2018 (CN) 2018 3 0095940

(51) **LOC (12) Cl.** **07-02**

(52) **U.S. Cl.**
USPC **D7/358; D7/354; D7/360**

(58) **Field of Classification Search**
USPC D7/323, 354-361, 368, 391, 393, 406
CPC A47J 27/00; A47J 27/004; A47J 27/08;
A47J 27/0802; A47J 27/0804; A47J
27/0811; A47J 27/0813; A47J 27/0815;
A47J 27/0817; A47J 27/084; A47J 27/09;
A47J 27/092; A47J 36/025; A47J 36/06;
A47J 37/12; A47J 37/1204; A47J
37/1209; A47J 45/07; A47J 45/071; A47J
45/074; A47J 45/08; B01D 2201/345;
B01J 3/03; B01J 3/04; F01P 2011/0247;
F01P 2011/0252; H05B 6/00; H05B 6/02;
H05B 6/06

See application file for complete search history.

(56) **References Cited**

U.S. PATENT DOCUMENTS

4,148,250 A * 4/1979 Miki A47J 36/06
220/374

D285,644 S * 9/1986 Kitakaze D7/358
D549,517 S * 8/2007 Moran D7/358
D641,203 S * 7/2011 Josancy D7/354
D711,182 S * 8/2014 Roussard D7/354
D728,301 S * 5/2015 Hack D7/368
D770,220 S * 11/2016 Chung D7/354
D770,843 S * 11/2016 Chung A47J 36/06
D770,844 S * 11/2016 Chung D7/354
D802,987 S * 11/2017 Corlay D7/358
D838,546 S * 1/2019 Wang D7/406
D846,335 S * 4/2019 Yang D7/358
D846,336 S * 4/2019 Hoenderdos D7/358

* cited by examiner

Primary Examiner — Ricky Pham

(74) *Attorney, Agent, or Firm* — Tsz Lung Yeung

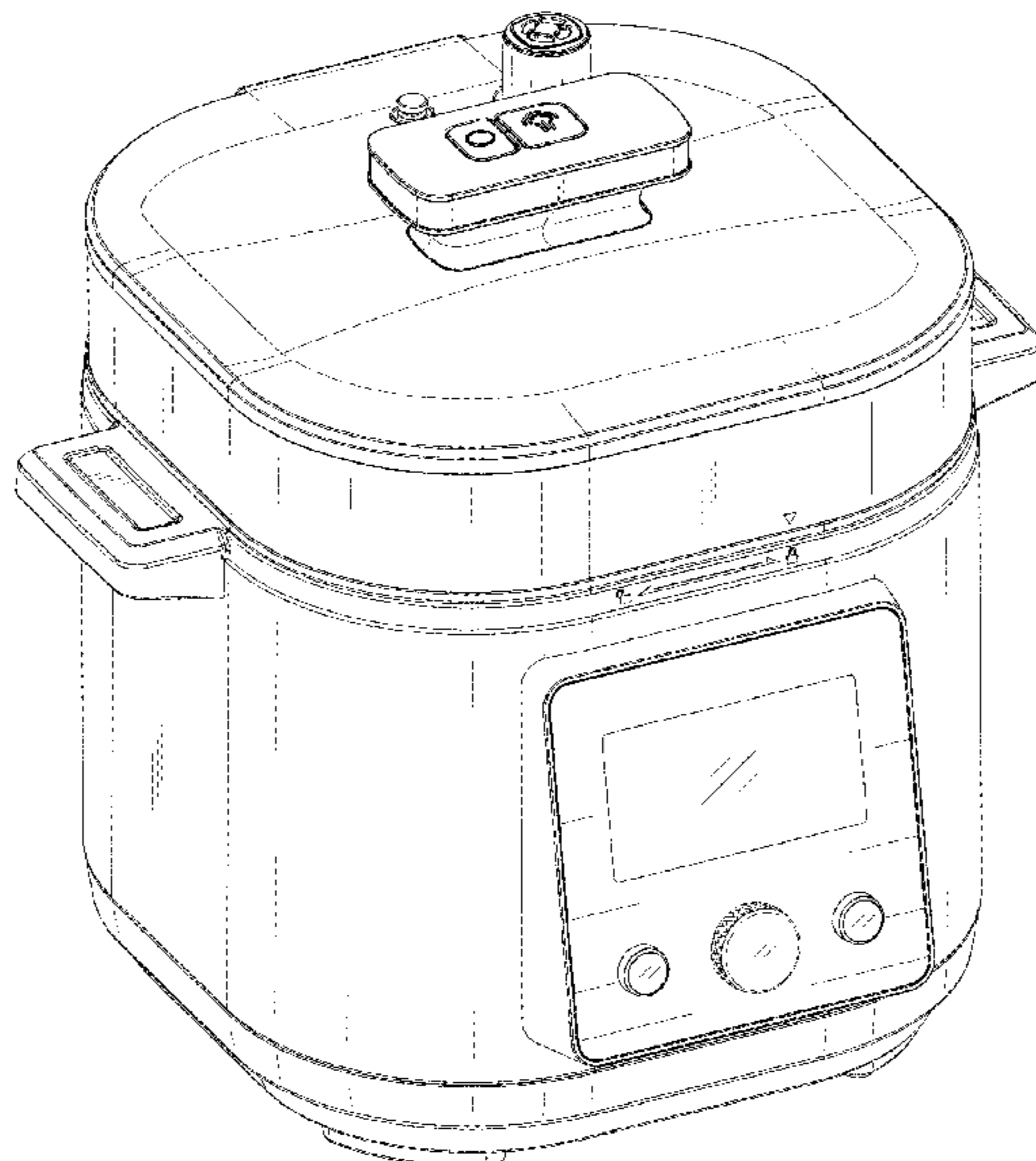
(57) **CLAIM**

The ornamental design for a pressure cooker, as shown and described.

DESCRIPTION

FIG. 1 is a perspective view of a pressure cooker showing our new design;
FIG. 2 is a front view thereof;
FIG. 3 is a rear view thereof;
FIG. 4 is a right end view thereof;
FIG. 5 is a left end view thereof;
FIG. 6 is a top view thereof; and,
FIG. 7 is a bottom view thereof.
The broken lines in the figures illustrate portions of the design that form no part of the claimed design.

1 Claim, 7 Drawing Sheets



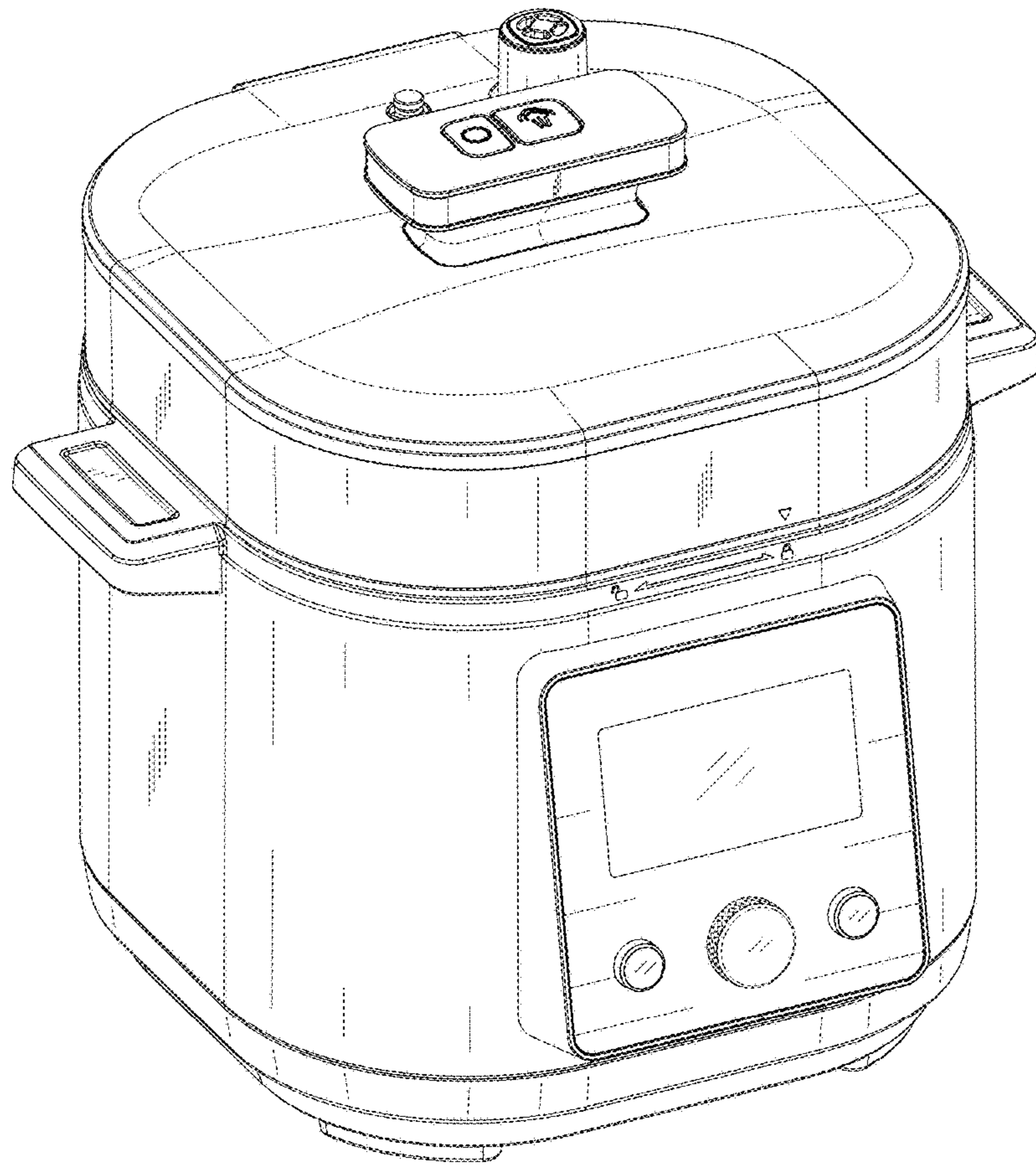


FIG.1

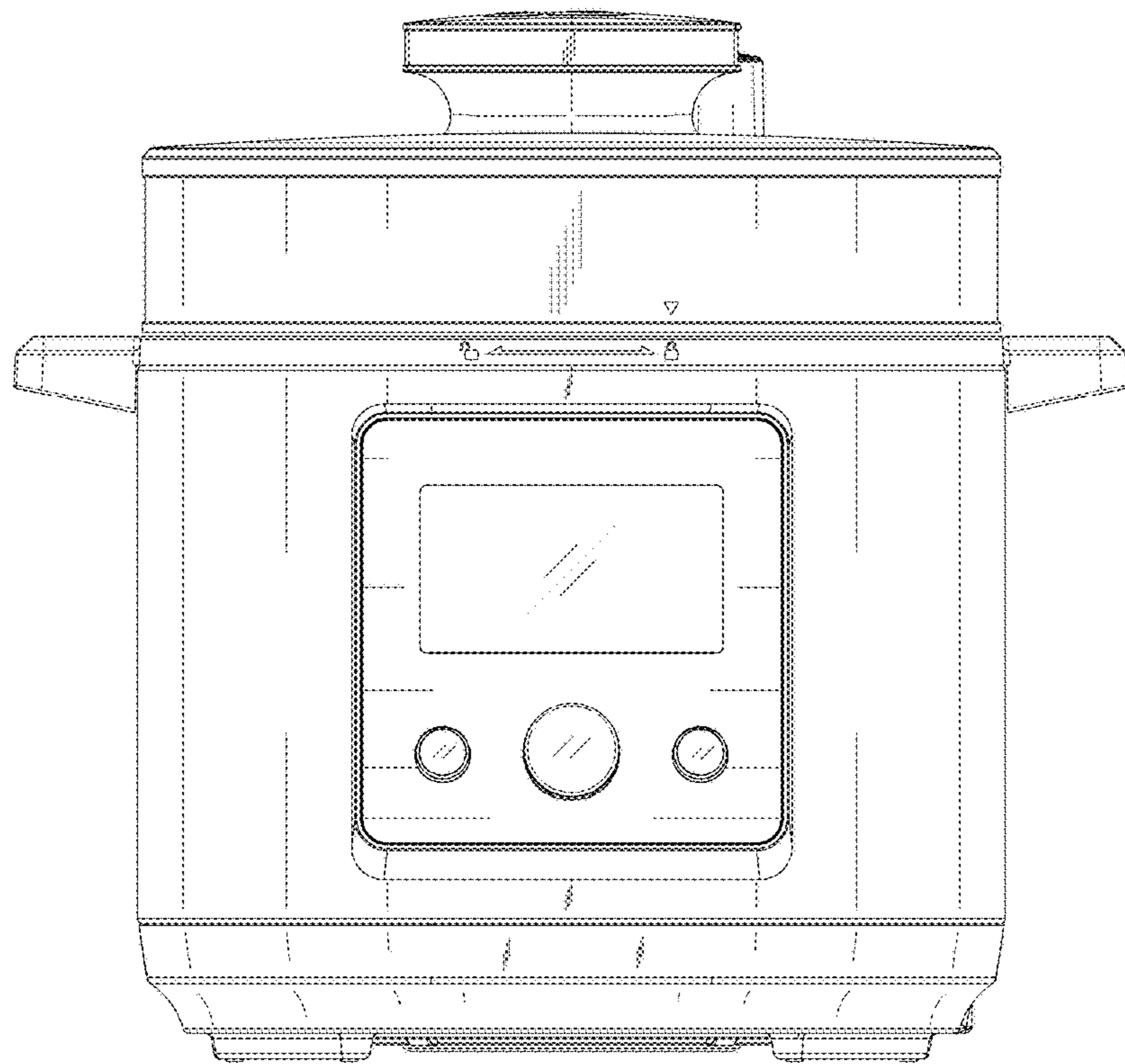


FIG.2

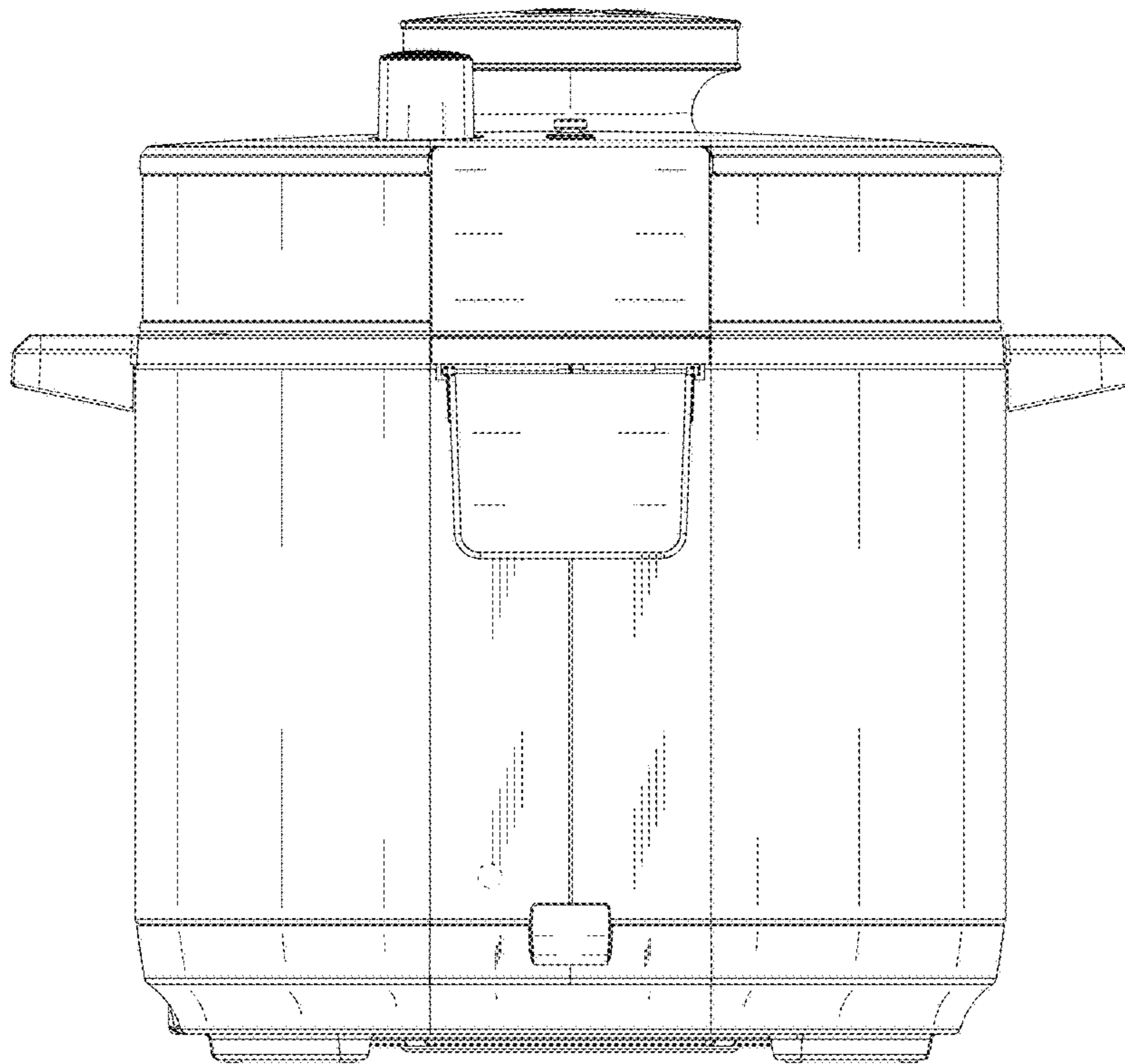


FIG.3

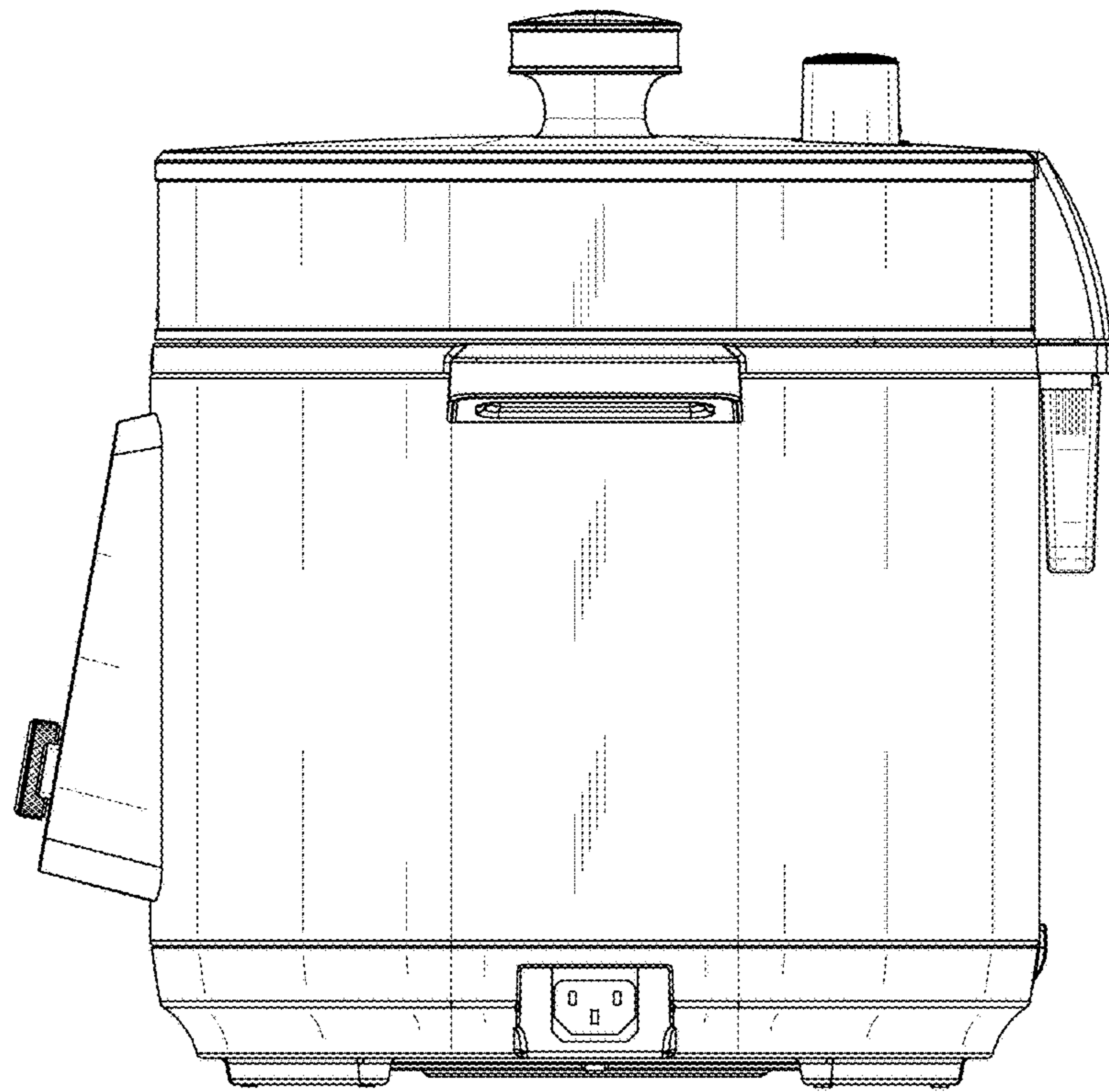


FIG.4

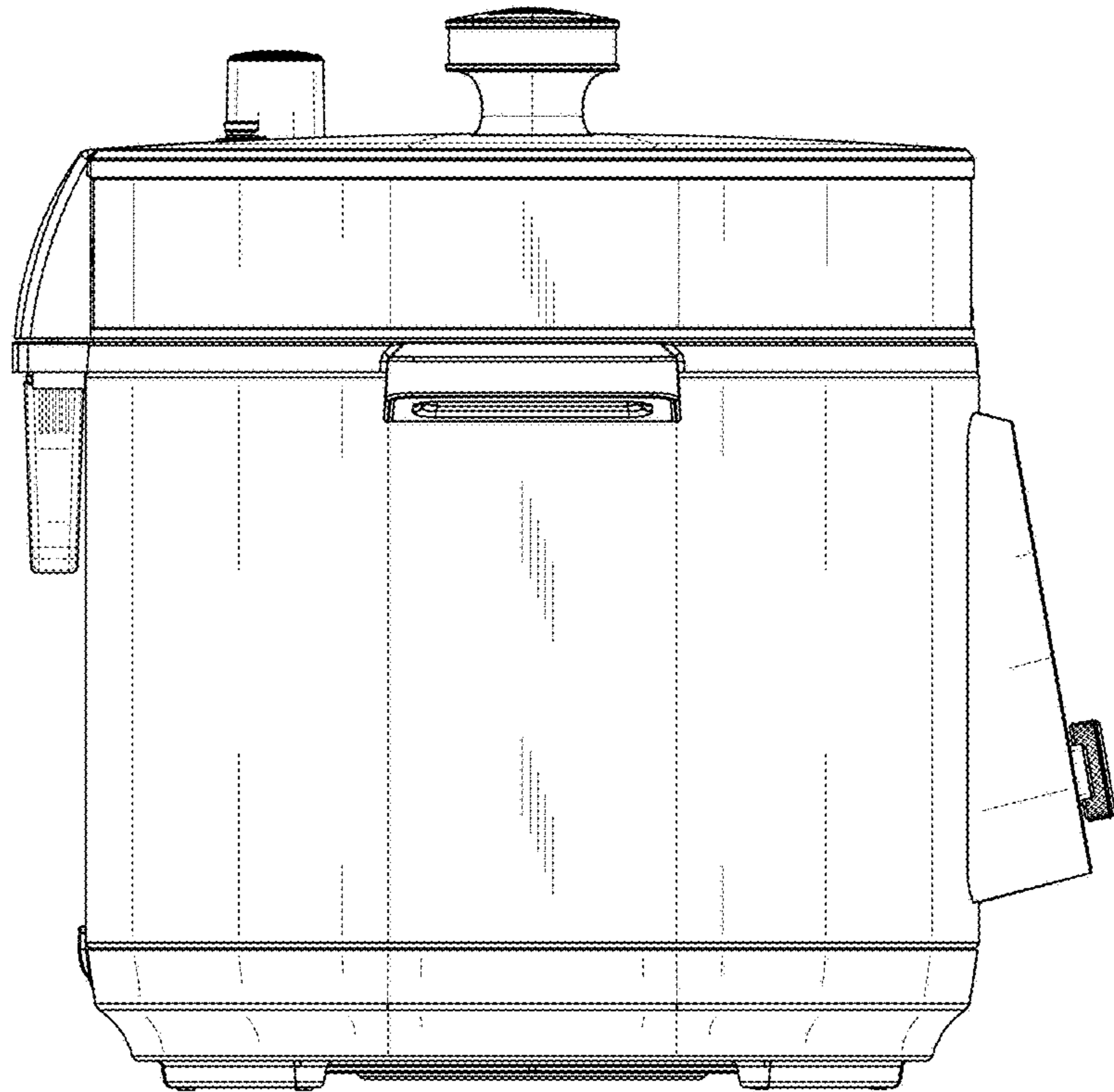


FIG.5

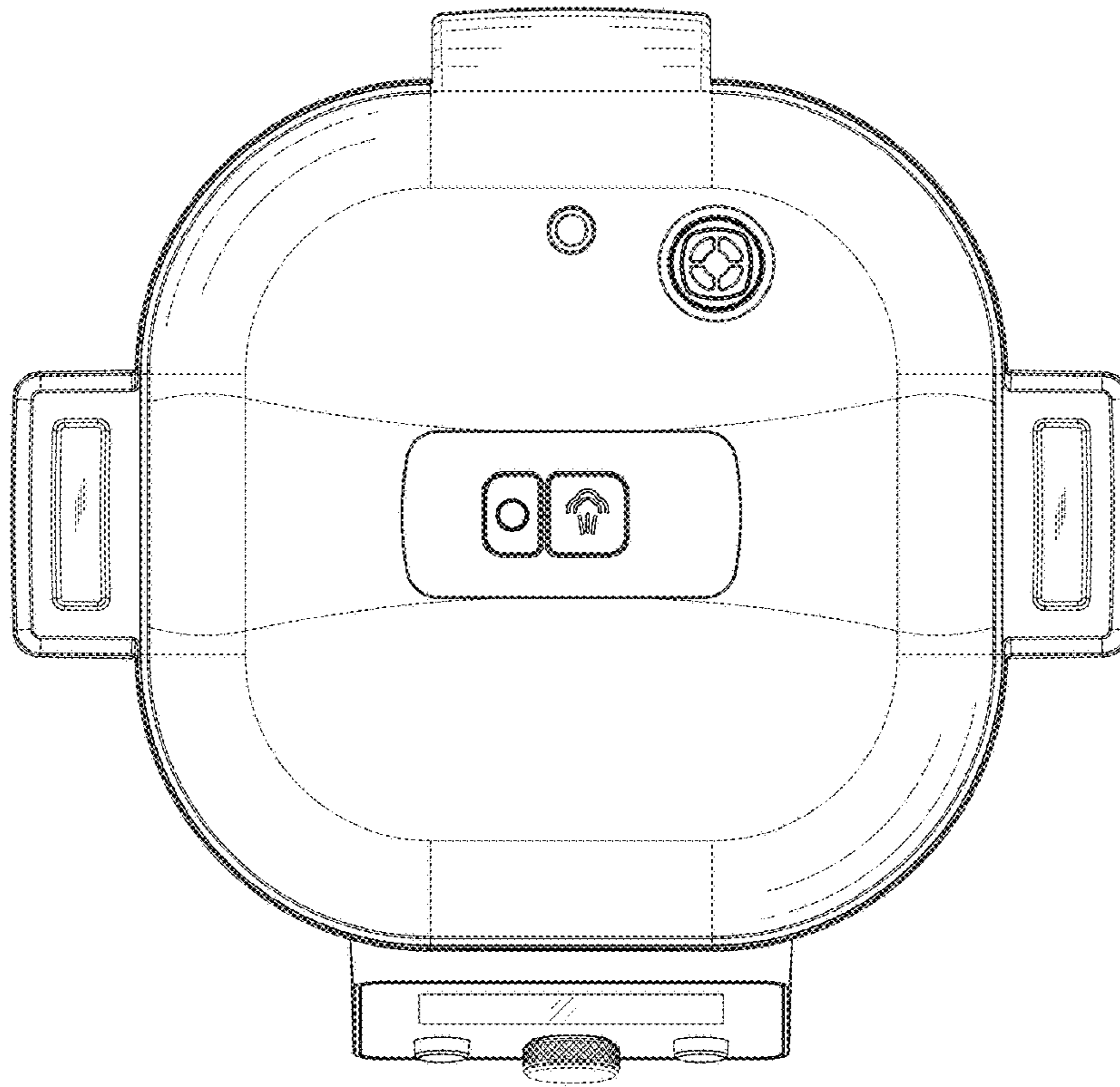


FIG.6

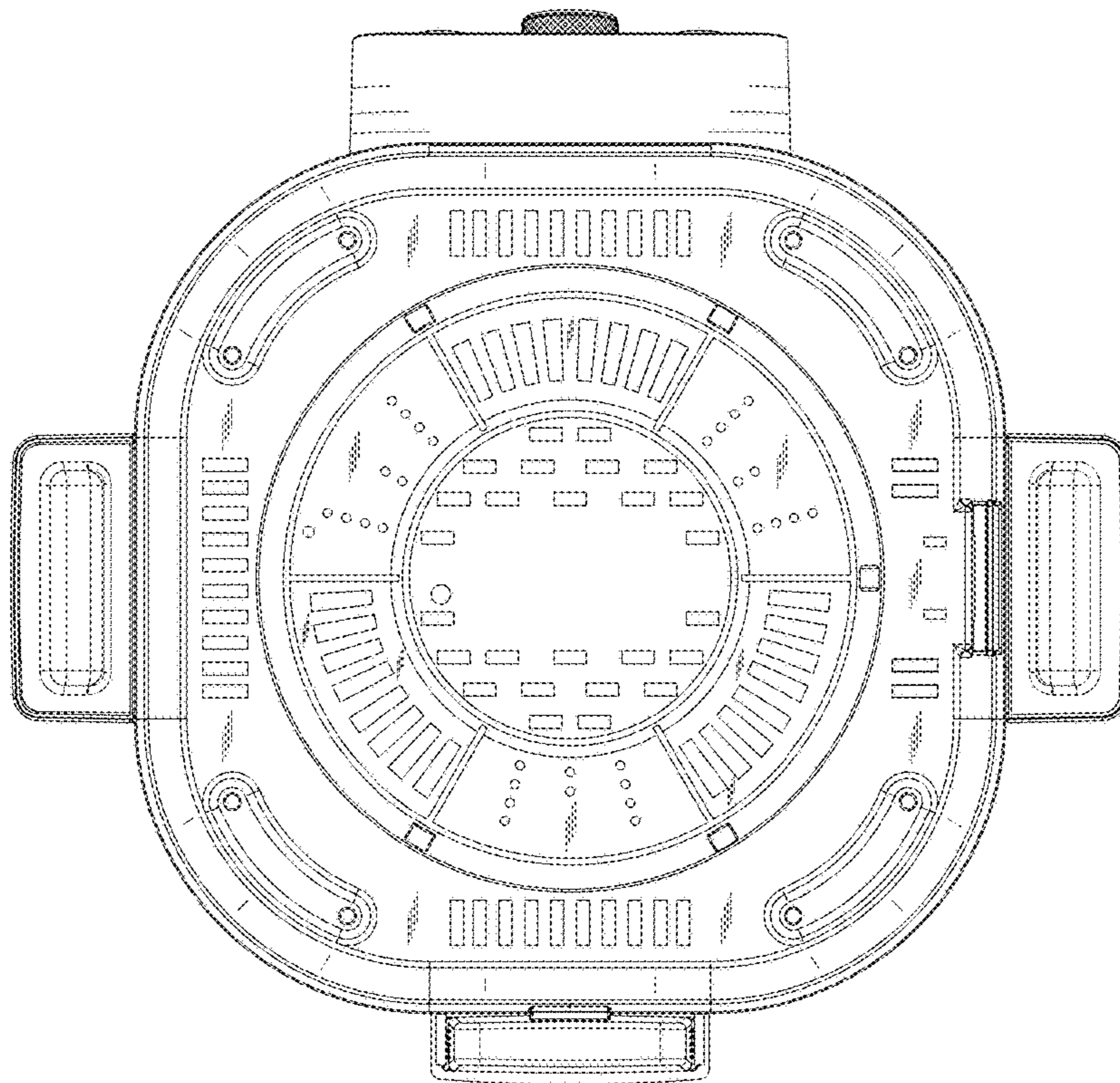


FIG.7