



US00D860711S

(12) **United States Design Patent**
Eom

(10) **Patent No.:** **US D860,711 S**

(45) **Date of Patent:** **** Sep. 24, 2019**

- (54) **EGGPAN**
- (71) Applicant: **Mommyspot**, Osan, Gyeonggi-do (KR)
- (72) Inventor: **Sunhee Eom**, Gyeonggi-do (KR)
- (73) Assignee: **MOMMYSLOT**, Osan, Gyeonggi-Do (KR)

(**) Term: **15 Years**

(21) Appl. No.: **29/653,869**

(22) Filed: **Jun. 19, 2018**

(51) **LOC (12) Cl.** **07-02**

(52) **U.S. Cl.**
USPC **D7/357; D7/354**

(58) **Field of Classification Search**
 USPC D7/323, 354–361, 409, 543, 545, 549, D7/550.1, 553.1–553.8, 554.1–554.4, 555, D7/584, 586; D9/430–433, 455–456, D9/737, 756–762
 CPC A21B 3/00; A21B 3/13; A21B 3/15; A21B 3/134; A21B 5/00; A21B 5/02; A47G 19/02; A47G 19/06; A47J 29/02; A47J 29/06; A47J 36/022; A47J 36/025; A47J 36/027; A47J 37/00; A47J 37/04; A47J 37/10; A47J 37/108; B65D 1/22; B65D 1/24; B65D 1/34; B65D 1/36; B65D 81/343; B65D 85/36
 See application file for complete search history.

(56) **References Cited**

U.S. PATENT DOCUMENTS

- 608,144 A * 7/1898 Porter A47G 19/02 220/23.8
- 1,455,780 A * 5/1923 Corwin A47J 37/10 99/422

- 2,666,551 A * 1/1954 Wyman A47J 29/06 126/377.1
- 3,704,663 A * 12/1972 Shull A47J 37/10 99/347
- D227,730 S * 7/1973 Shull A47J 37/10 D7/357
- 5,967,022 A * 10/1999 Moschella A47J 37/108 220/731
- 6,371,322 B1 * 4/2002 Bryant A47G 19/06 220/23.86
- D492,538 S * 7/2004 Cheng D7/357
- D609,525 S * 2/2010 Rabanal D7/409
- D712,193 S * 9/2014 Nagrani A47J 37/108 D7/354
- D830,109 S * 10/2018 Xiong A47J 29/06 D7/359
- D845,061 S * 4/2019 Hollinger D7/361
- 2012/0210884 A1 * 8/2012 Stacey A47J 29/02 99/482

* cited by examiner

Primary Examiner — Ricky Pham

(74) *Attorney, Agent, or Firm* — Lucas & Mercanti, LLP

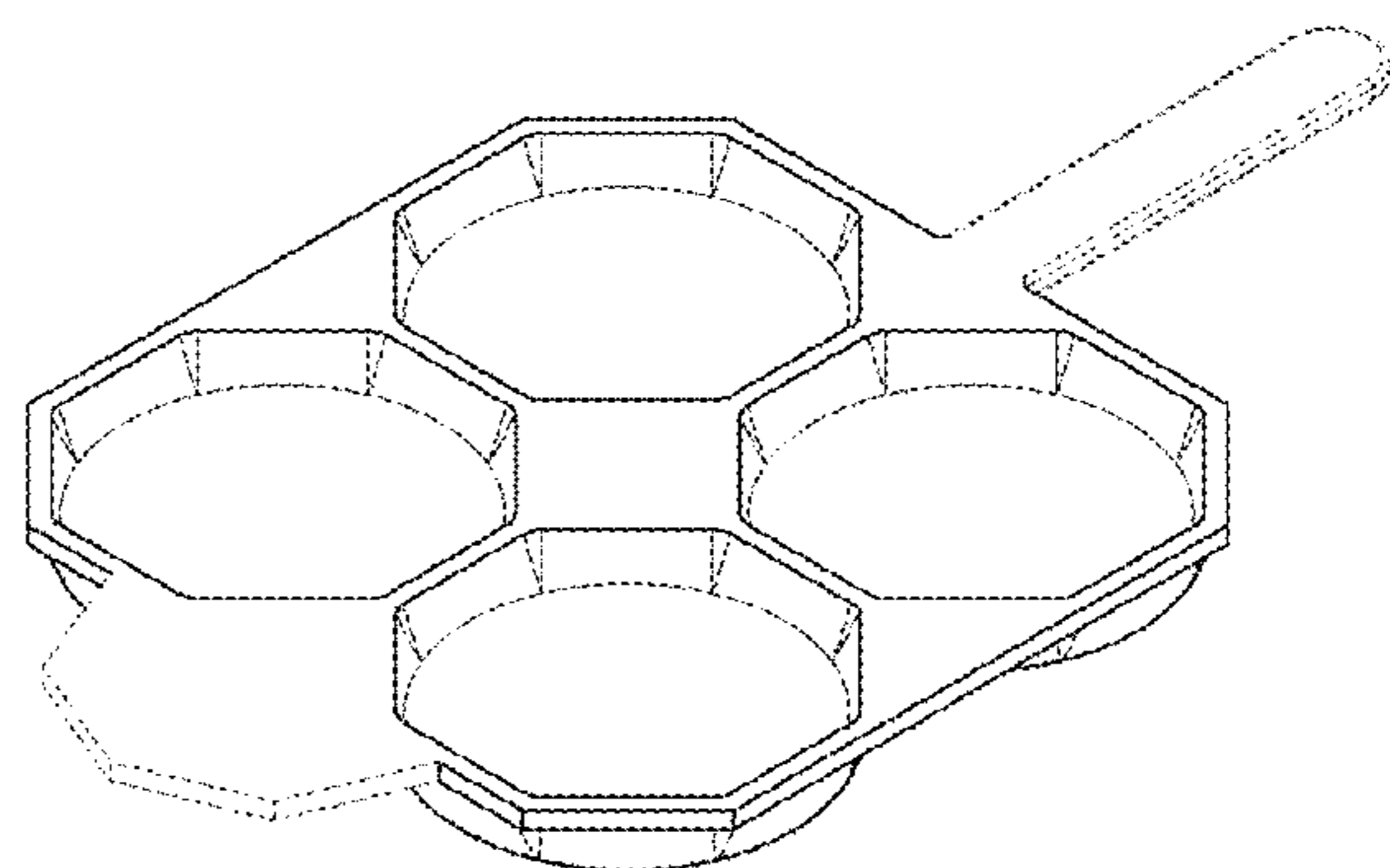
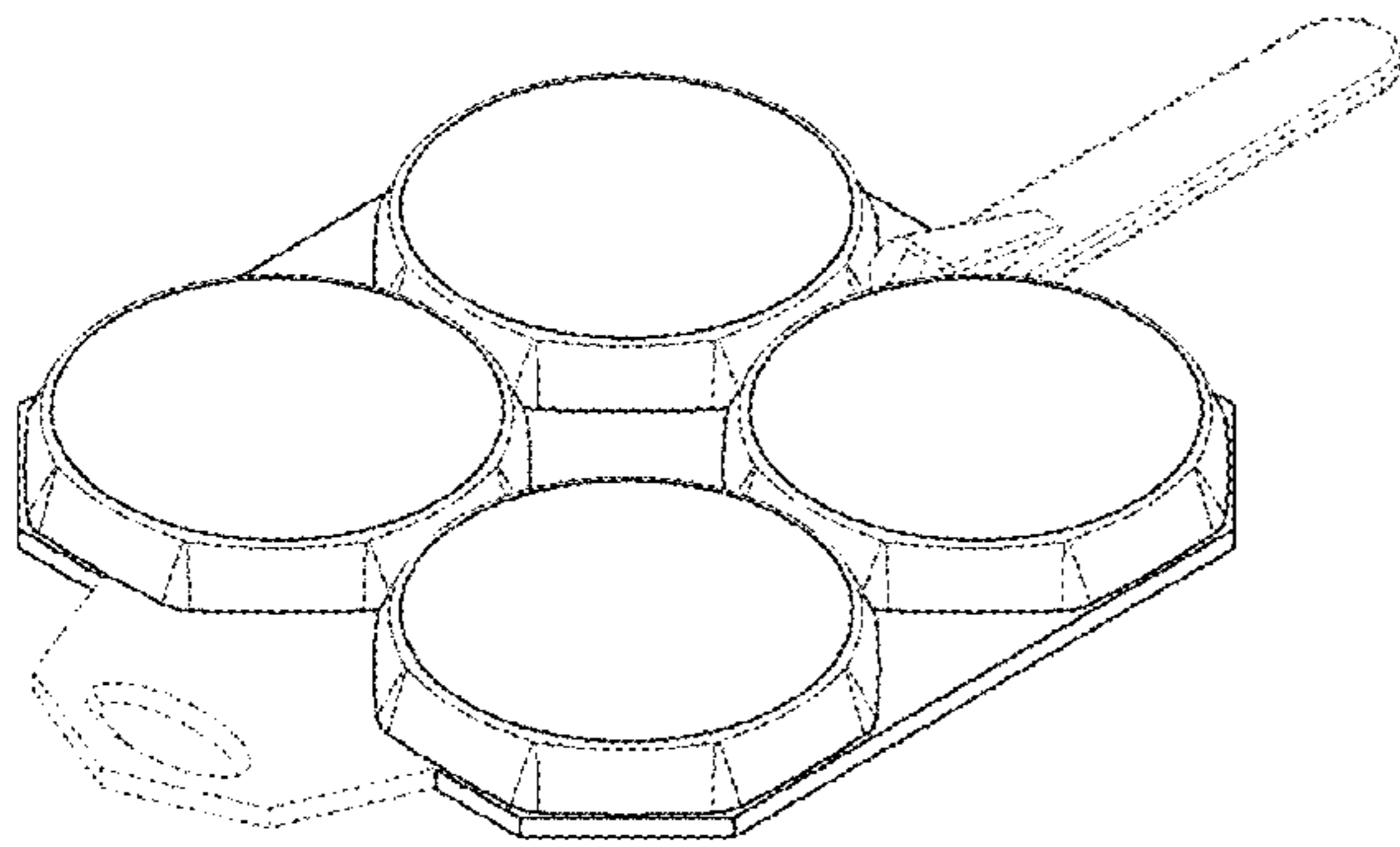
(57) **CLAIM**

The ornamental design for an eggpan, as shown and described.

DESCRIPTION

FIG. 1 is a bottom perspective view of the eggpan showing my new design;
 FIG. 2 is a top perspective view thereof;
 FIG. 3 is a right side view thereof;
 FIG. 4 is a front view thereof;
 FIG. 5 is a back view of thereof;
 FIG. 6 is a bottom view thereof;
 FIG. 7 is a left side view; and,
 FIG. 8 is a top view thereof.
 The broken lines claim no part of the claimed design.

1 Claim, 8 Drawing Sheets



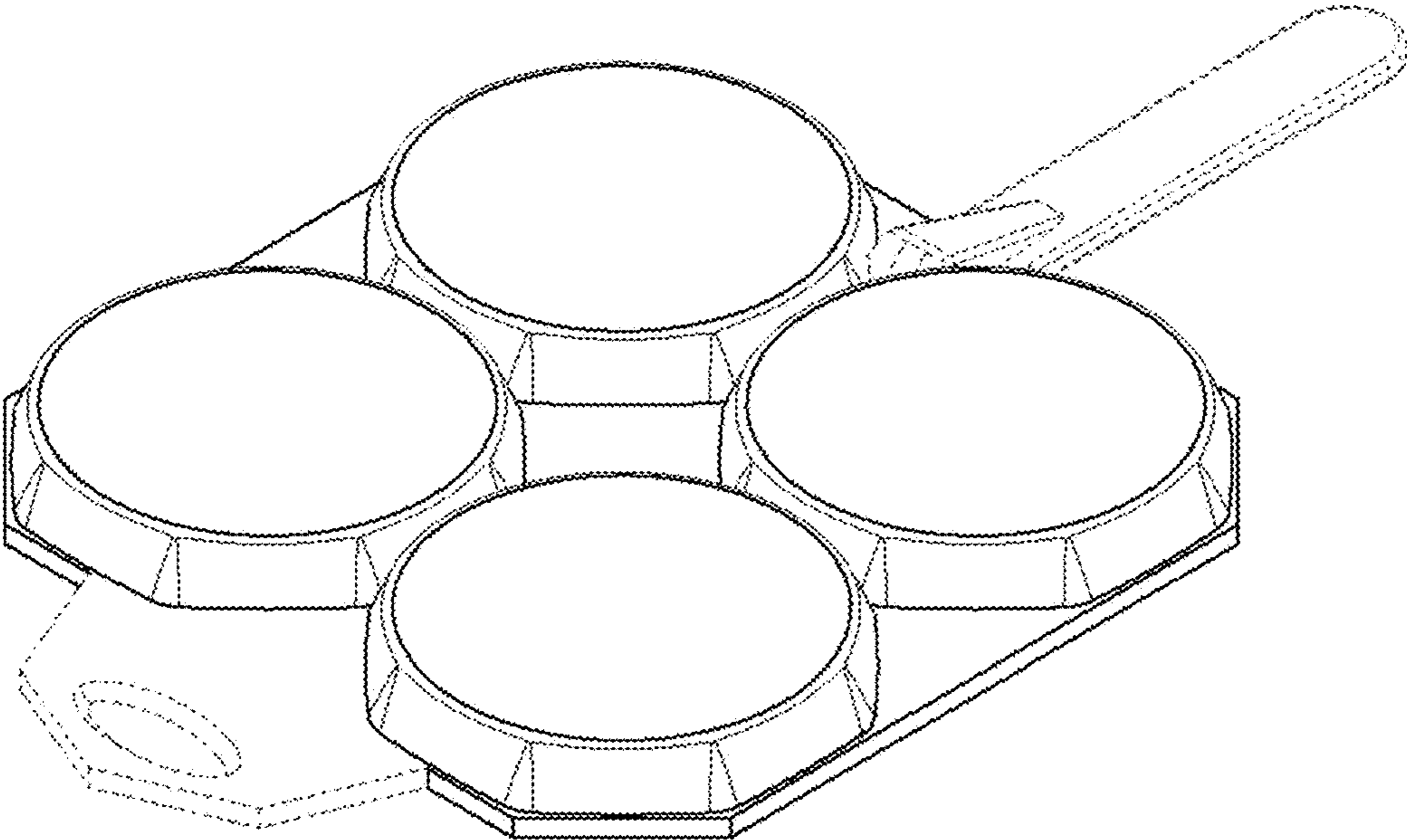


FIG. 1

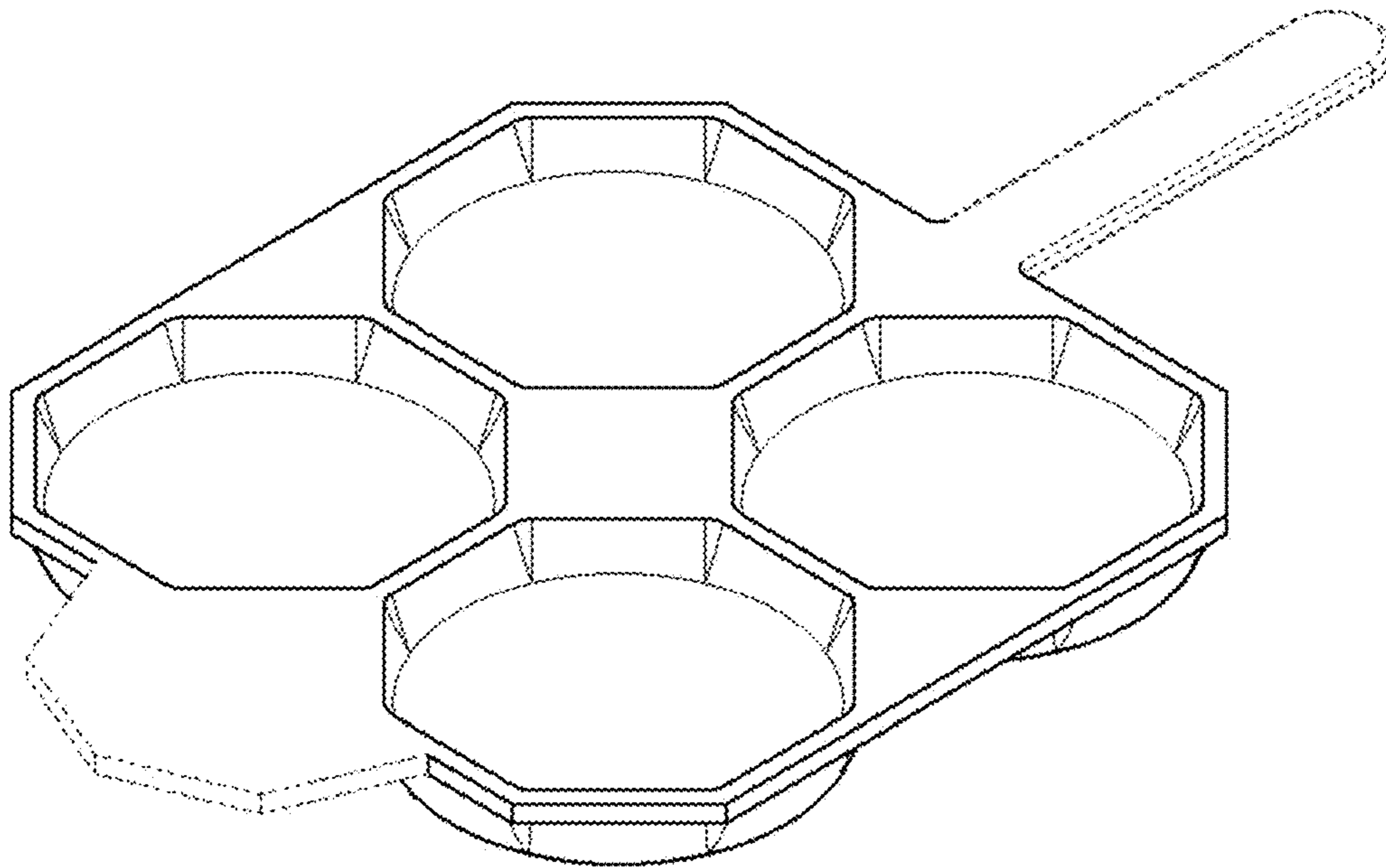


FIG. 2

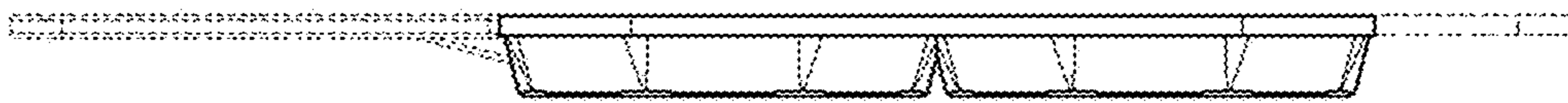


FIG. 3



FIG. 4



FIG. 5

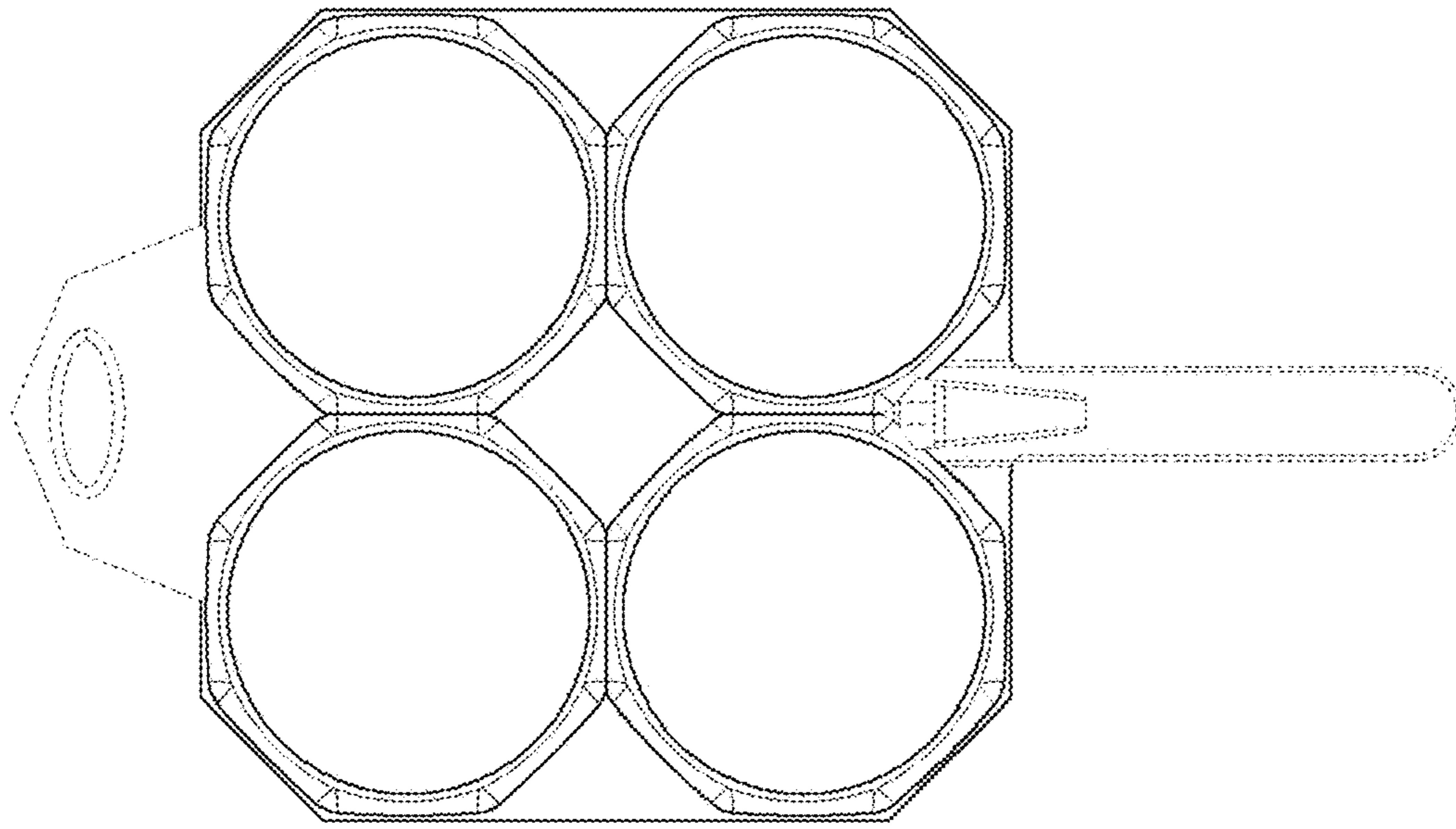


FIG. 6



FIG. 7

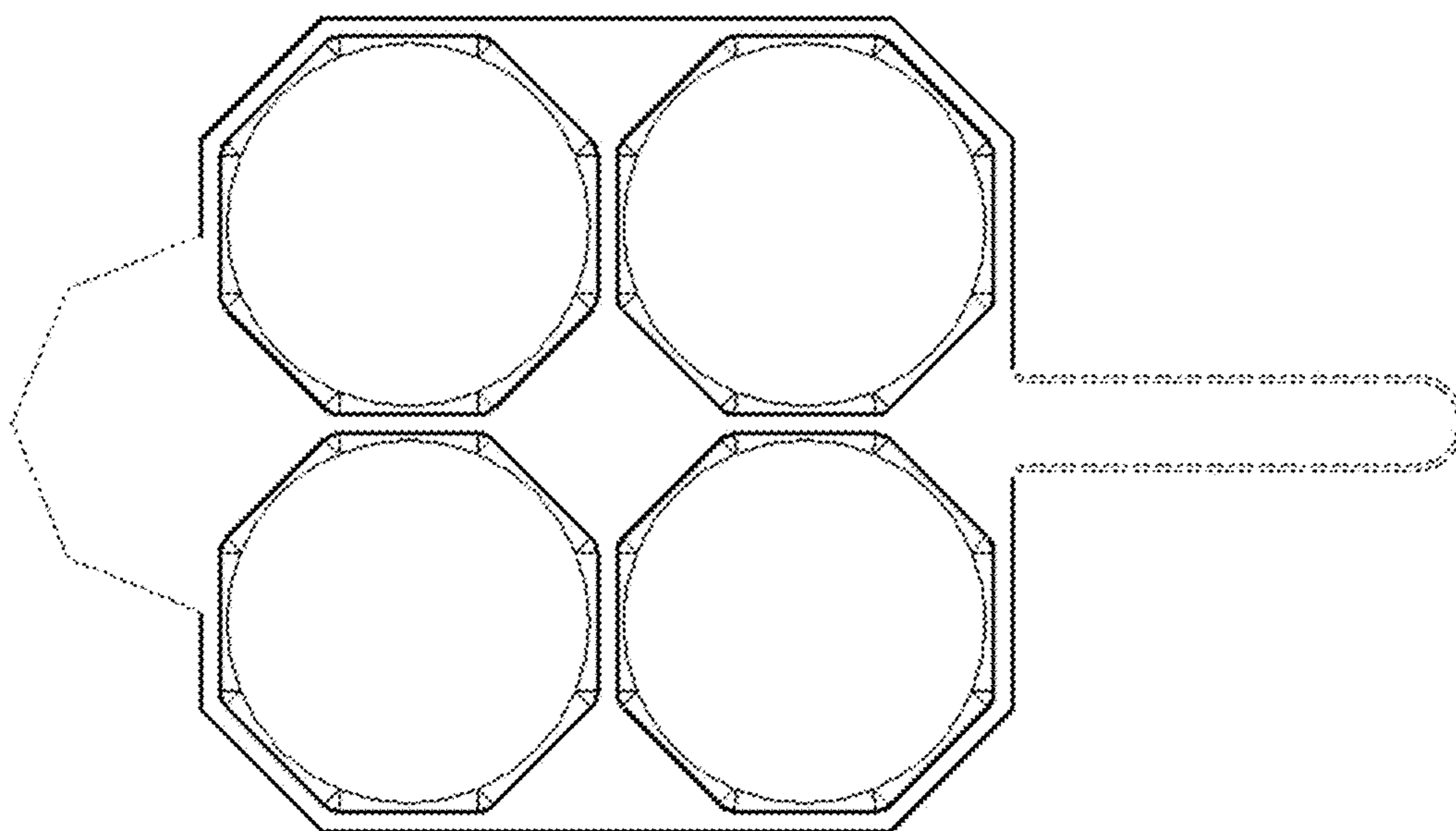


FIG. 8