



US00D860710S

(12) **United States Design Patent**
Eom

(10) **Patent No.:** **US D860,710 S**

(45) **Date of Patent:** **** Sep. 24, 2019**

- (54) **POT**
- (71) Applicant: **Mommypot**, Osan, Gyeonggi-do (KR)
- (72) Inventor: **Sunhee Eom**, Gyeonggi-do (KR)
- (73) Assignee: **MOMMYPOT**, Osan, Gyeonggi-Do (KR)
- (**) Term: **15 Years**

- (21) Appl. No.: **29/653,860**
- (22) Filed: **Jun. 19, 2018**
- (51) **LOC (12) Cl.** **07-02**
- (52) **U.S. Cl.**
USPC **D7/354; D7/360**
- (58) **Field of Classification Search**
USPC D7/323, 354-363, 391, 393-396, 409, D7/505, 540, 542, 565; D9/429
CPC A47G 19/12; A47J 27/00; A47J 27/002; A47J 27/08; A47J 27/21; A47J 27/58; A47J 36/025; A47J 36/06; A47J 36/12; A47J 37/00; A47J 37/10; A47J 37/101; A47J 37/103; A47J 37/12; A47J 37/1204; A47J 45/061; A47J 45/071; A47J 45/08; H05B 6/12
See application file for complete search history.

(56) **References Cited**

U.S. PATENT DOCUMENTS

- D51,878 S * 3/1918 Evans D7/540
- D52,727 S * 12/1918 Beiswanger D7/540

- D99,555 S * 5/1936 Smith D7/360
- D162,960 S * 4/1951 Johnston D7/360
- D250,929 S * 1/1979 Gerstman D7/565
- D287,917 S * 1/1987 Pomroy D7/505
- D544,307 S * 6/2007 Ablo D7/538
- D586,176 S * 2/2009 Loring D7/360
- D587,065 S * 2/2009 Loring D7/391
- D618,044 S * 6/2010 Li D7/354
- D618,492 S * 6/2010 Li D7/354
- D649,035 S * 11/2011 Riales D9/429
- D717,100 S * 11/2014 Moser D7/354

* cited by examiner

Primary Examiner — Ricky Pham

(74) *Attorney, Agent, or Firm* — Lucas & Mercanti, LLP

(57) **CLAIM**

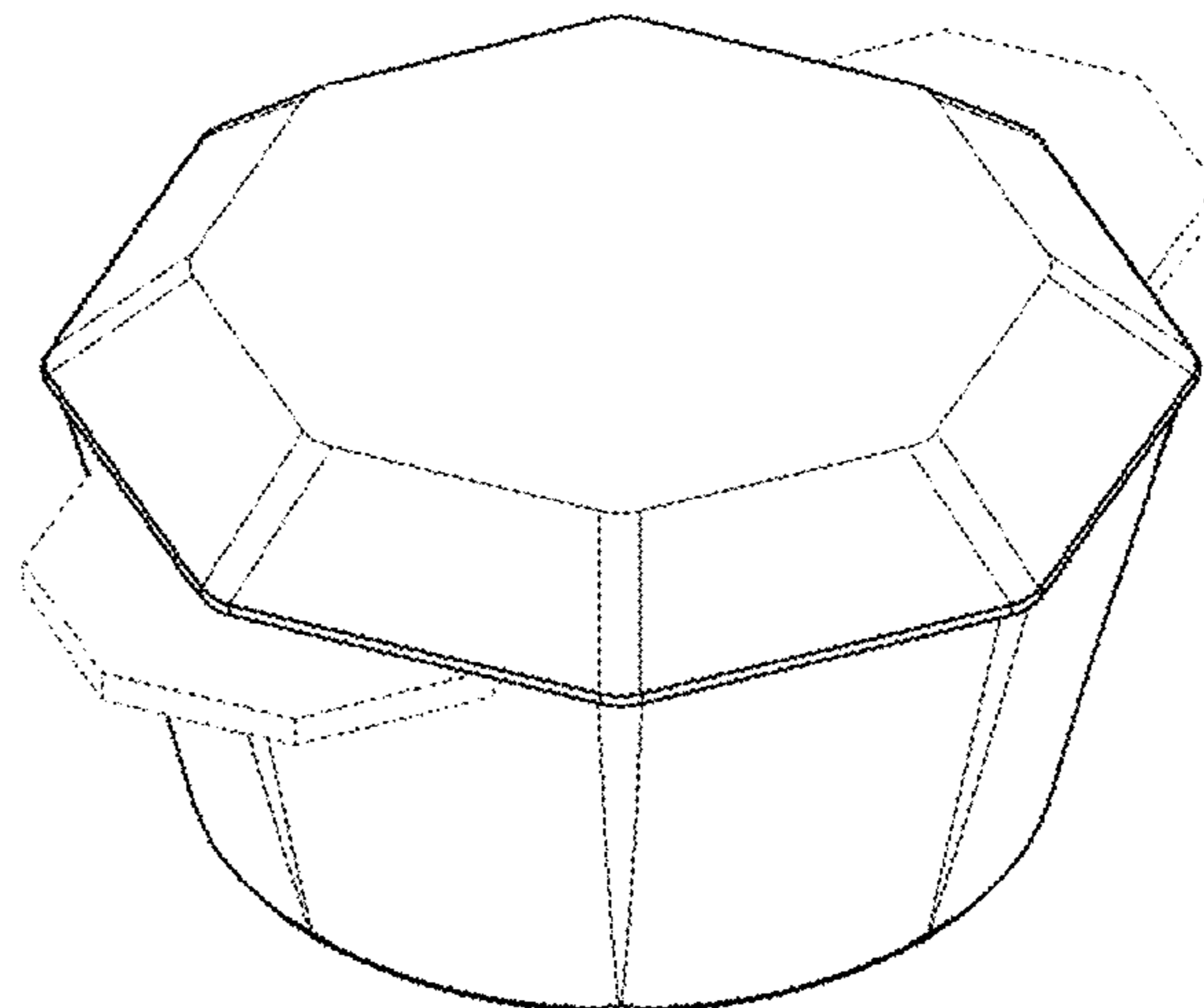
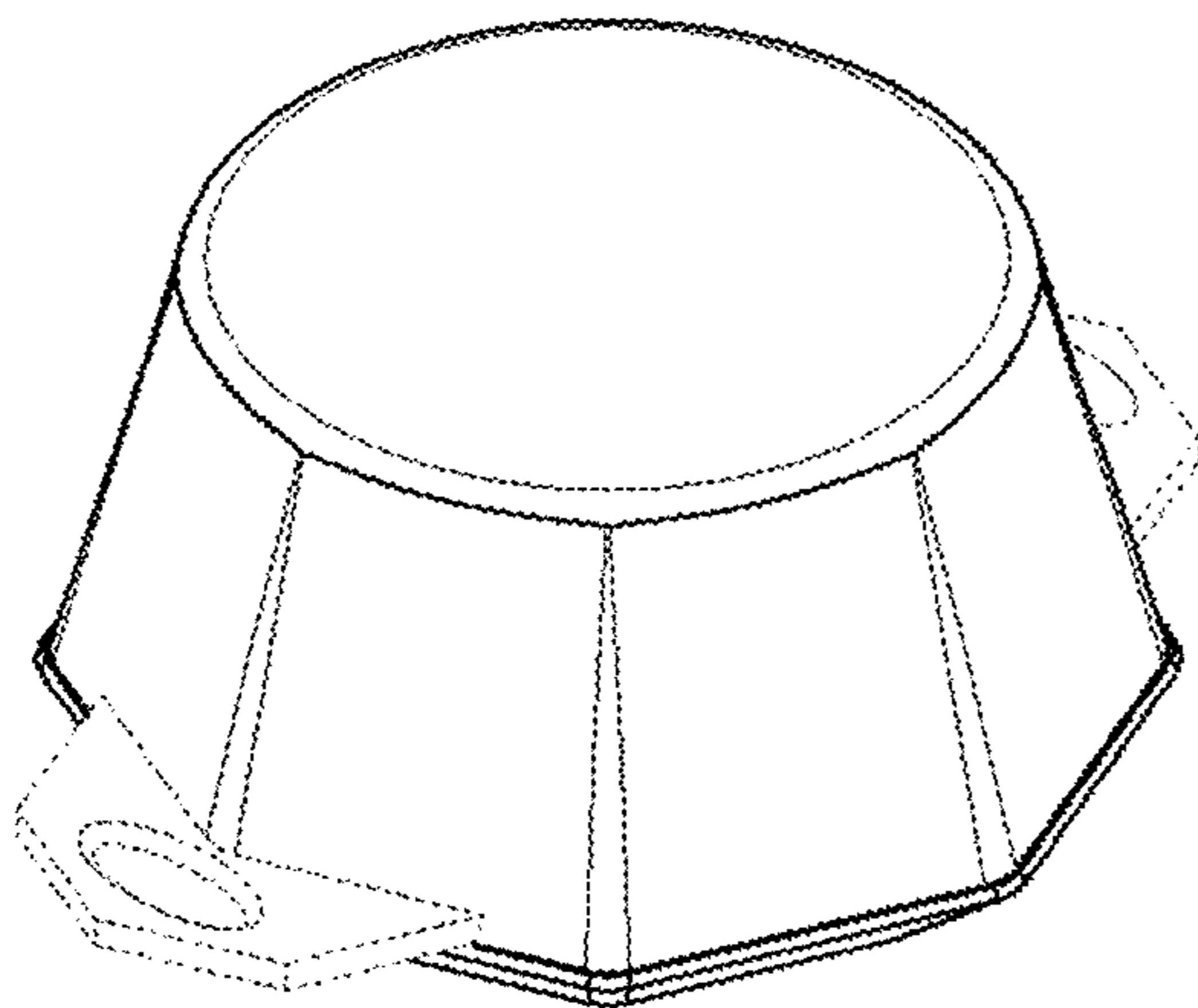
The ornamental design for a pot, as shown and described.

DESCRIPTION

FIG. 1 is a bottom perspective view of the pot showing my new design;
 FIG. 2 is a top perspective view thereof;
 FIG. 3 is a right side view thereof;
 FIG. 4 is a front view thereof;
 FIG. 5 is a back view of thereof;
 FIG. 6 is a bottom view thereof;
 FIG. 7 is a left side view; and,
 FIG. 8 is a top view thereof.

The broken lines claim no part of the claimed design.

1 Claim, 8 Drawing Sheets



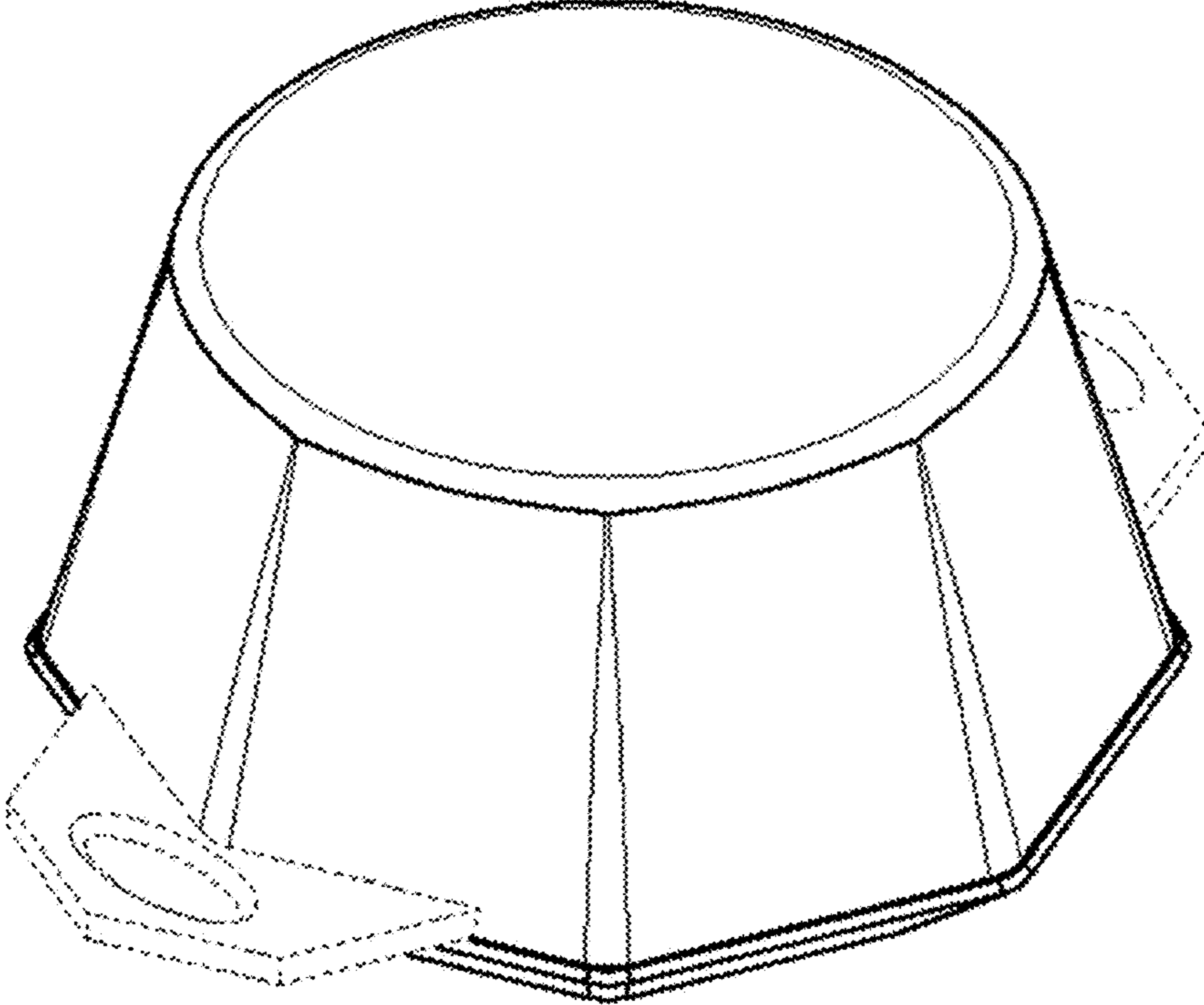


FIG. 1

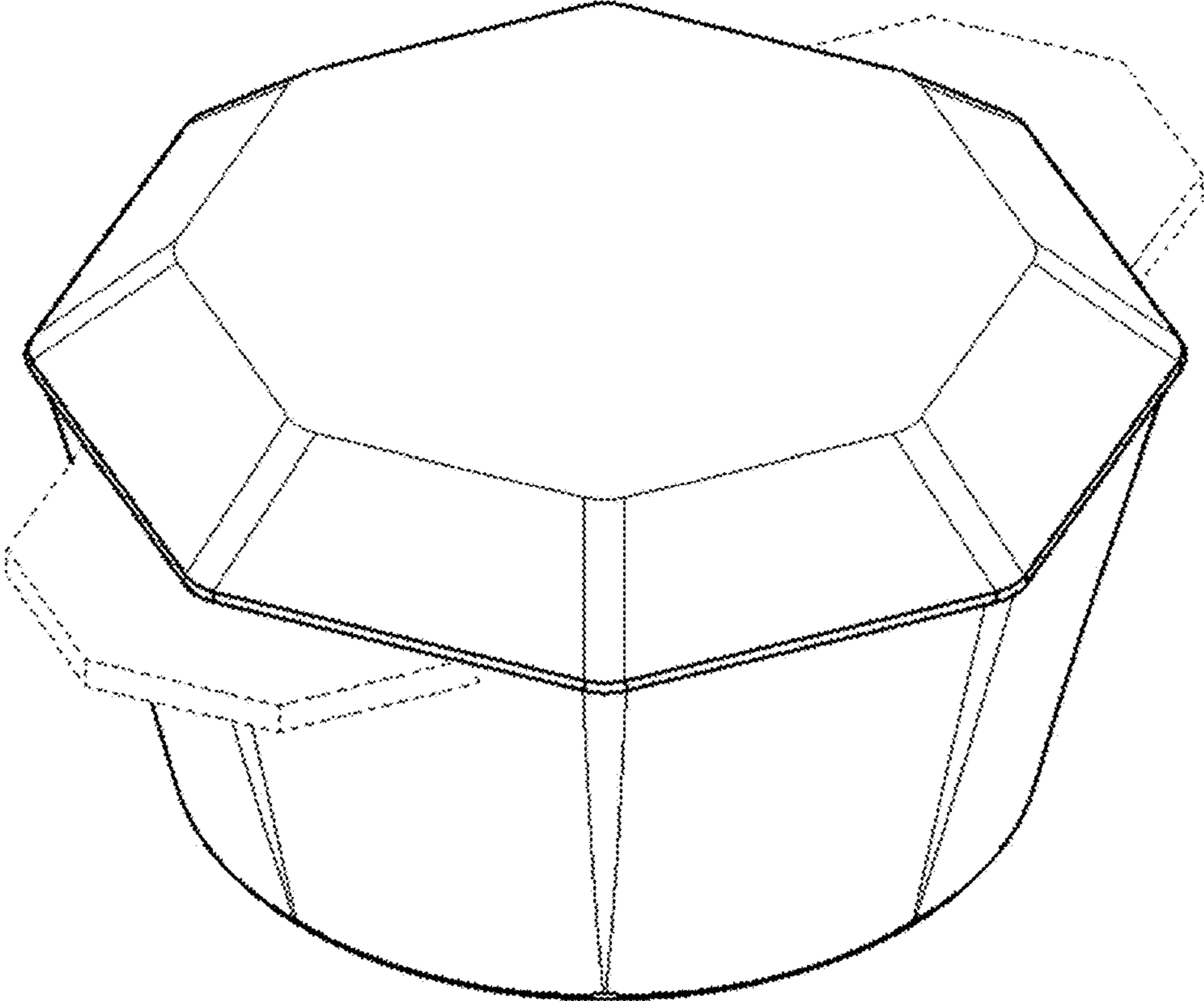


FIG. 2

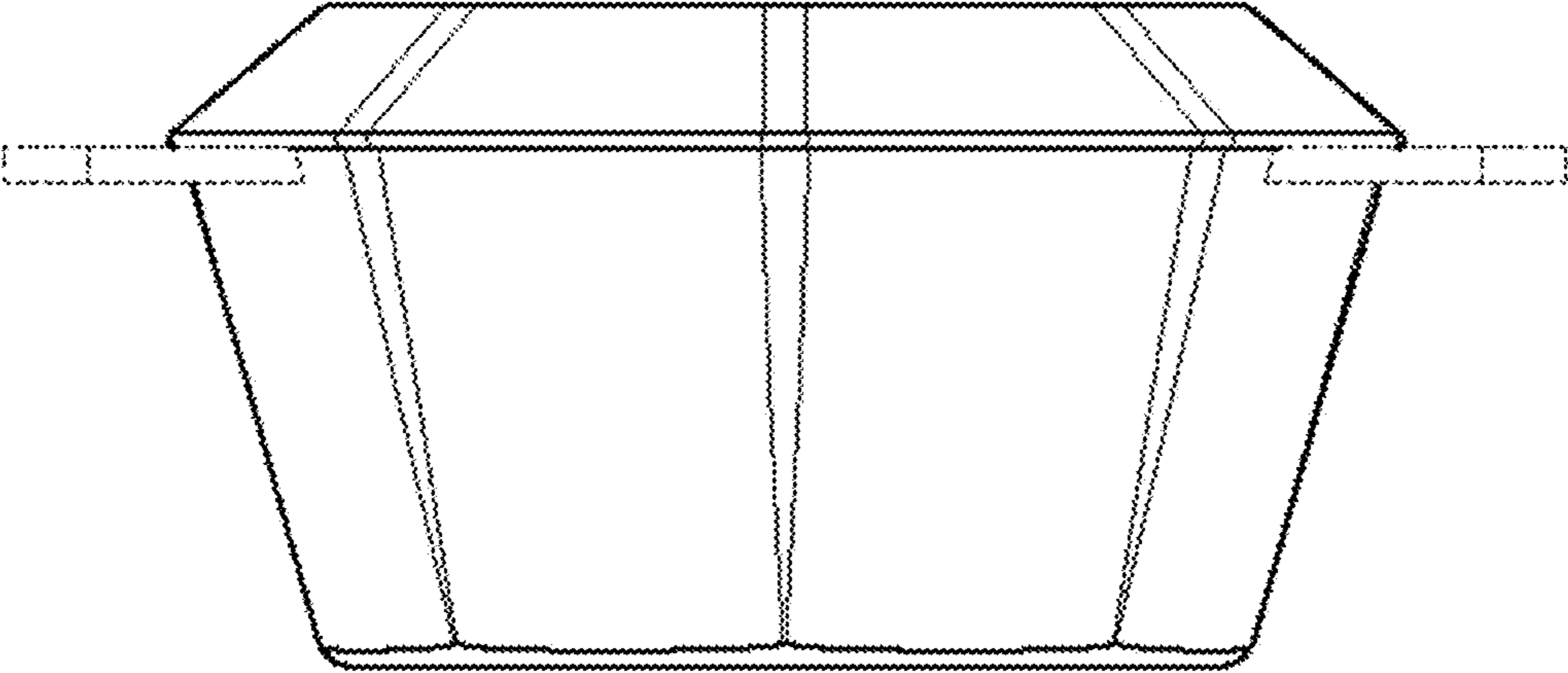


FIG. 3

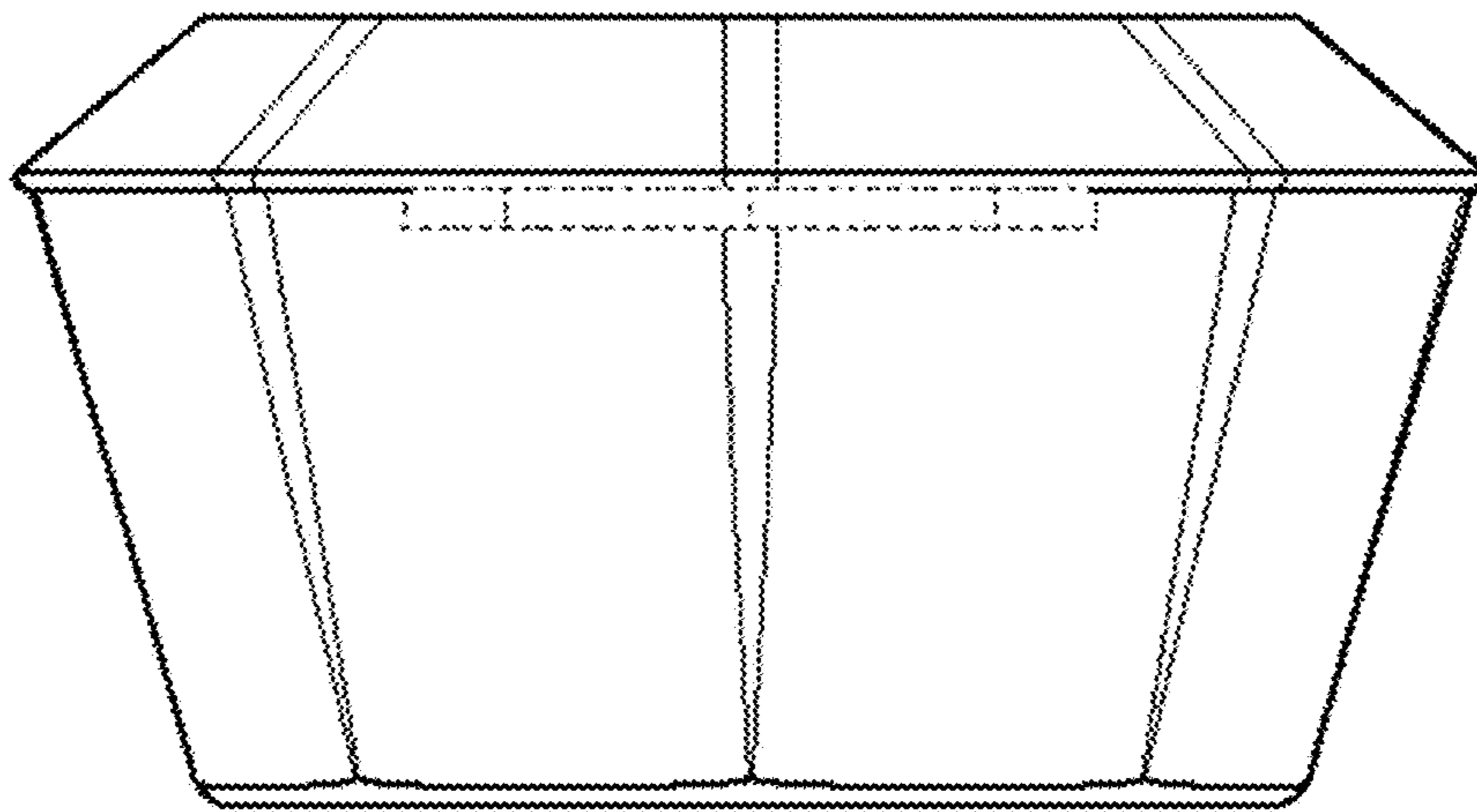


FIG. 4

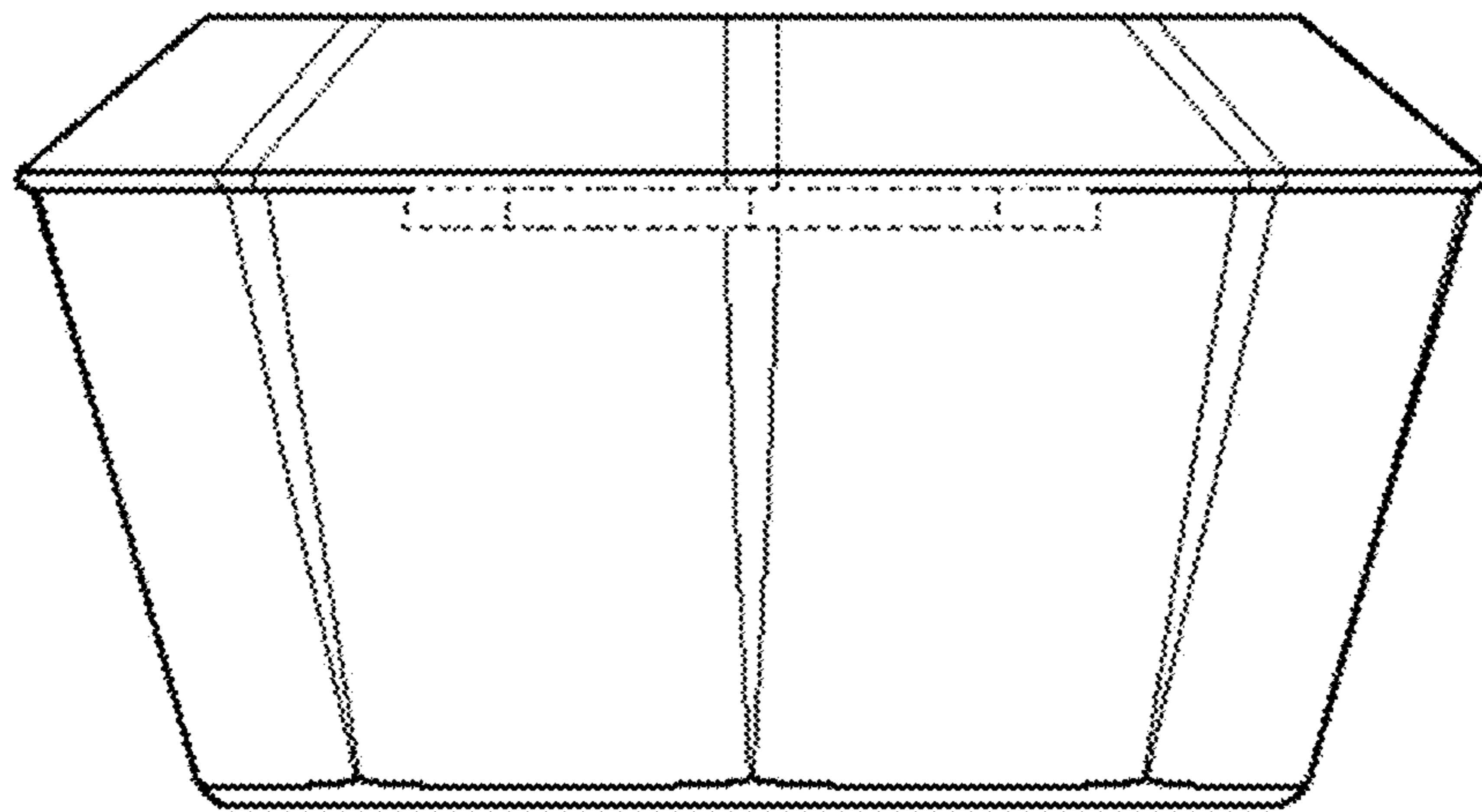


FIG. 5

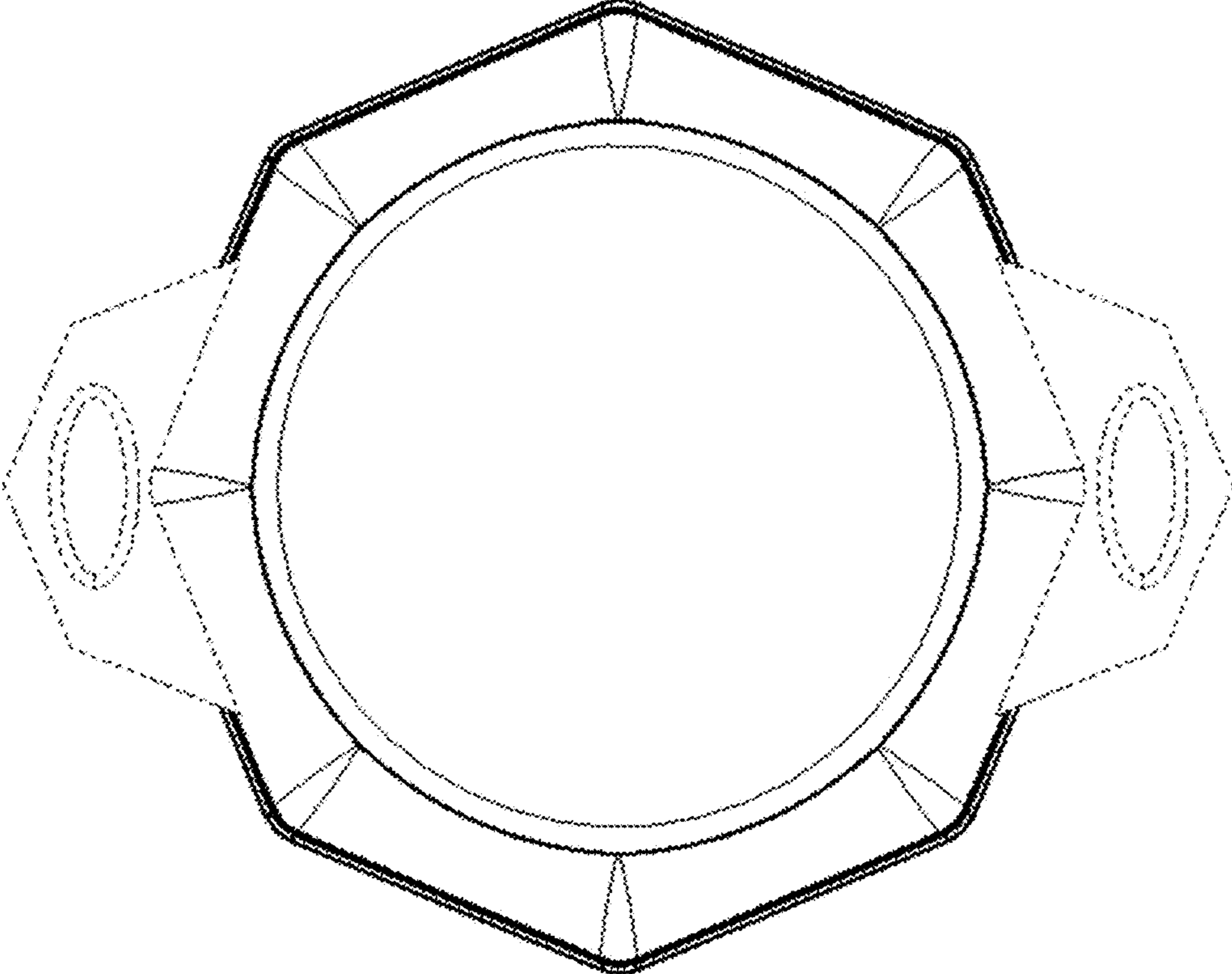


FIG. 6

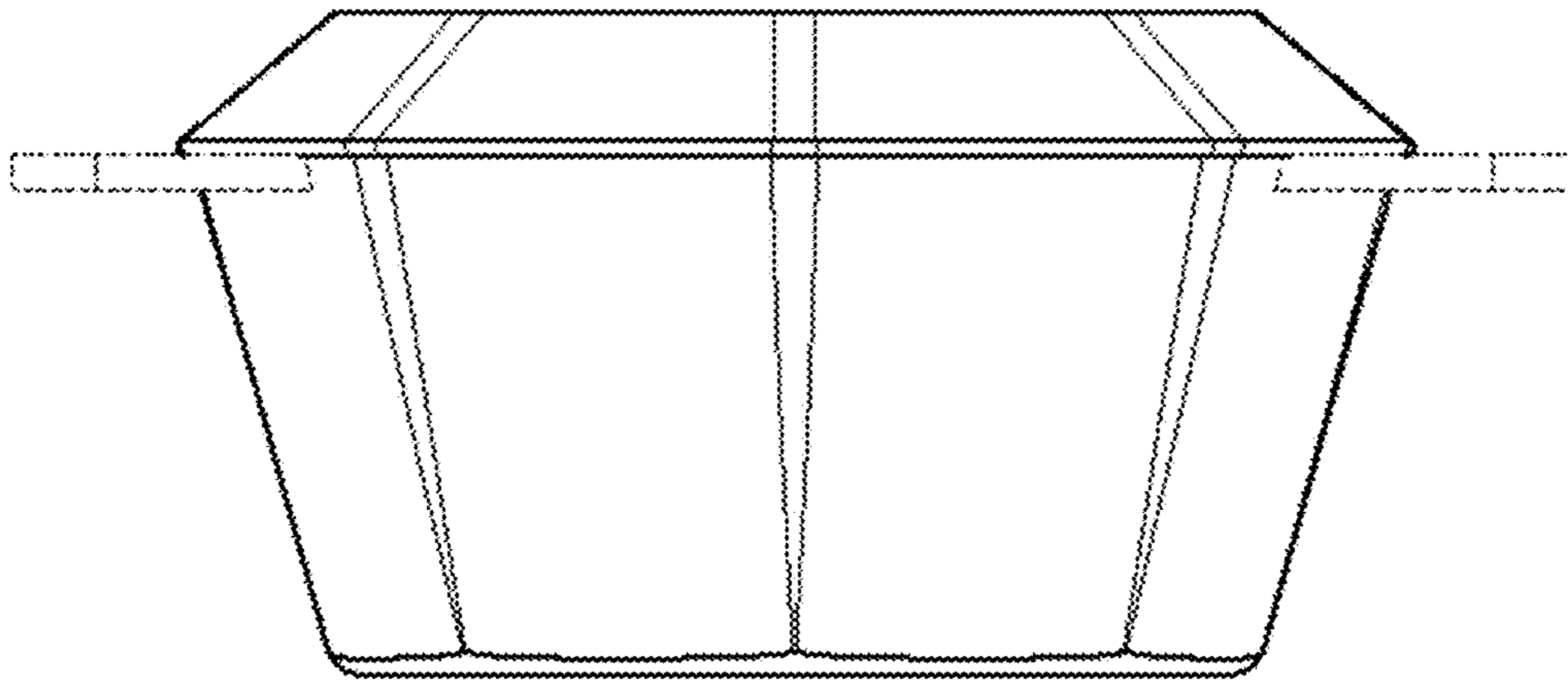


FIG. 7

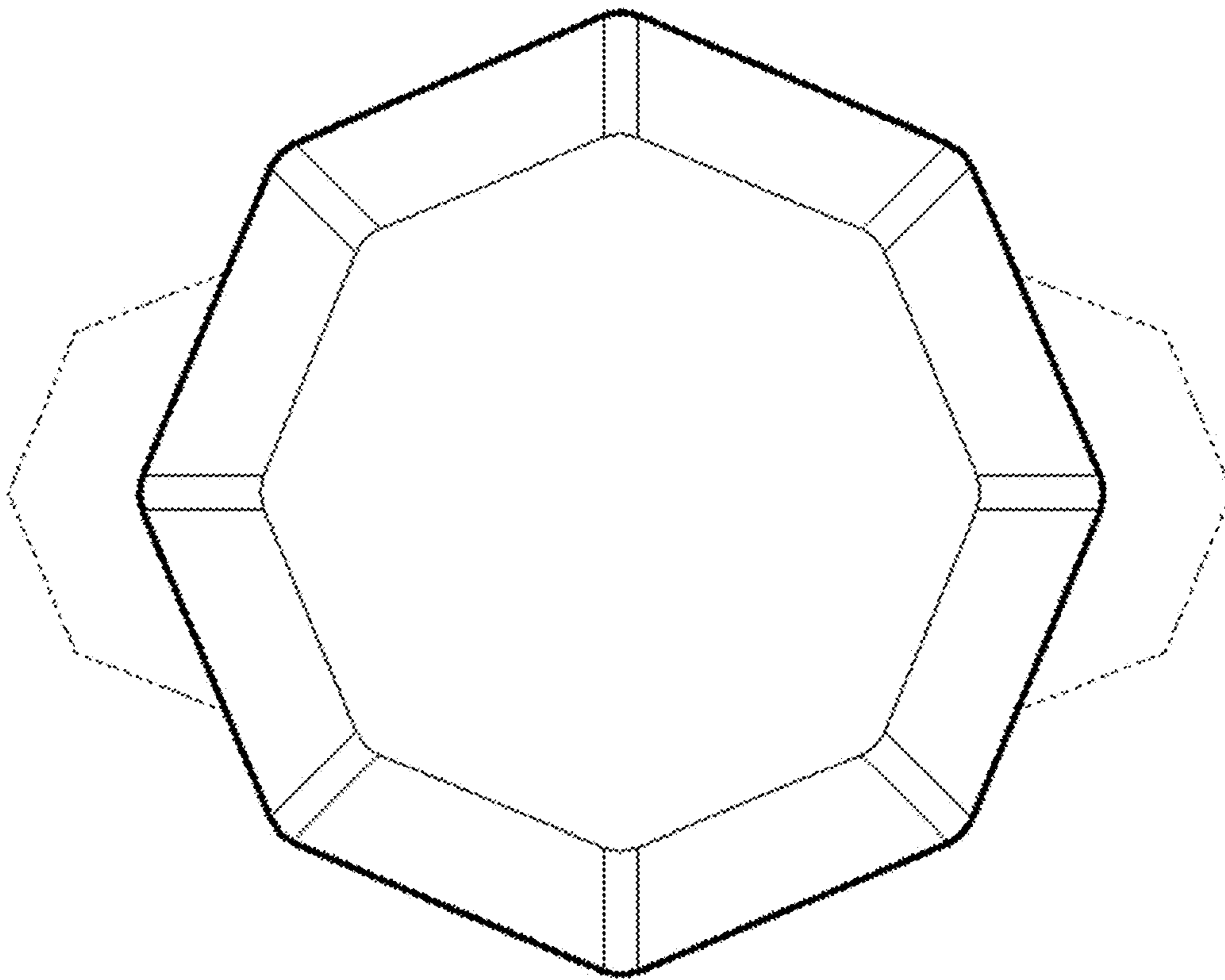


FIG. 8