

US00D860709S

(12) **United States Design Patent**
Morenstein et al.

(10) **Patent No.:** **US D860,709 S**
(45) **Date of Patent:** **** Sep. 24, 2019**

(54) **OVEN**

(71) Applicant: **Brava Home, Inc.**, Redwood City, CA (US)

(72) Inventors: **Joshua Morenstein**, San Francisco, CA (US); **Christopher Hibmacronan**, Oakland, CA (US)

(73) Assignee: **BRAVA HOME, INC.**, Redwood City, CA (US)

(**) Term: **15 Years**

(21) Appl. No.: **29/663,614**

(22) Filed: **Sep. 17, 2018**

Related U.S. Application Data

(62) Division of application No. 29/573,510, filed on Aug. 5, 2016.

(51) **LOC (12) Cl.** **07-03**

(52) **U.S. Cl.**
USPC **D7/350.1**

(58) **Field of Classification Search**
USPC D7/350.1-351, 402-403, 405, 354
CPC . H05B 6/64; H05B 6/12; H05B 6/806; H05B 6/6426; H05B 6/6414; A21B 1/52
See application file for complete search history.

(56) **References Cited**

U.S. PATENT DOCUMENTS

6,843,207	B2 *	1/2005	Kanzaki	F24C 15/003
				122/30
D541,578	S *	5/2007	Jeon	D7/350.1
D586,180	S *	2/2009	Pino	D7/405
D602,306	S *	10/2009	Lavy	D7/350.1
D629,639	S *	12/2010	Fernandez	D7/350.1
D771,995	S *	11/2016	Bhogal	D7/350.1
D771,996	S *	11/2016	Bhogal	D7/350.1
D777,504	S *	1/2017	Bhogal	D7/350.1
D782,864	S *	4/2017	Bhogal	D7/350.1
D783,336	S *	4/2017	Suh	D7/351
D802,996	S *	11/2017	Bhogal	D7/405
9,927,129	B2	3/2018	Bhogal et al.	
2016/0033140	A1	2/2016	Weaver et al.	
2016/0327279	A1	11/2016	Bhogal et al.	

* cited by examiner

Primary Examiner — Ruth McNroy

(74) *Attorney, Agent, or Firm* — Haynes and Boone, LLP

(57) **CLAIM**

We claim the ornamental design for an oven, as shown and described.

DESCRIPTION

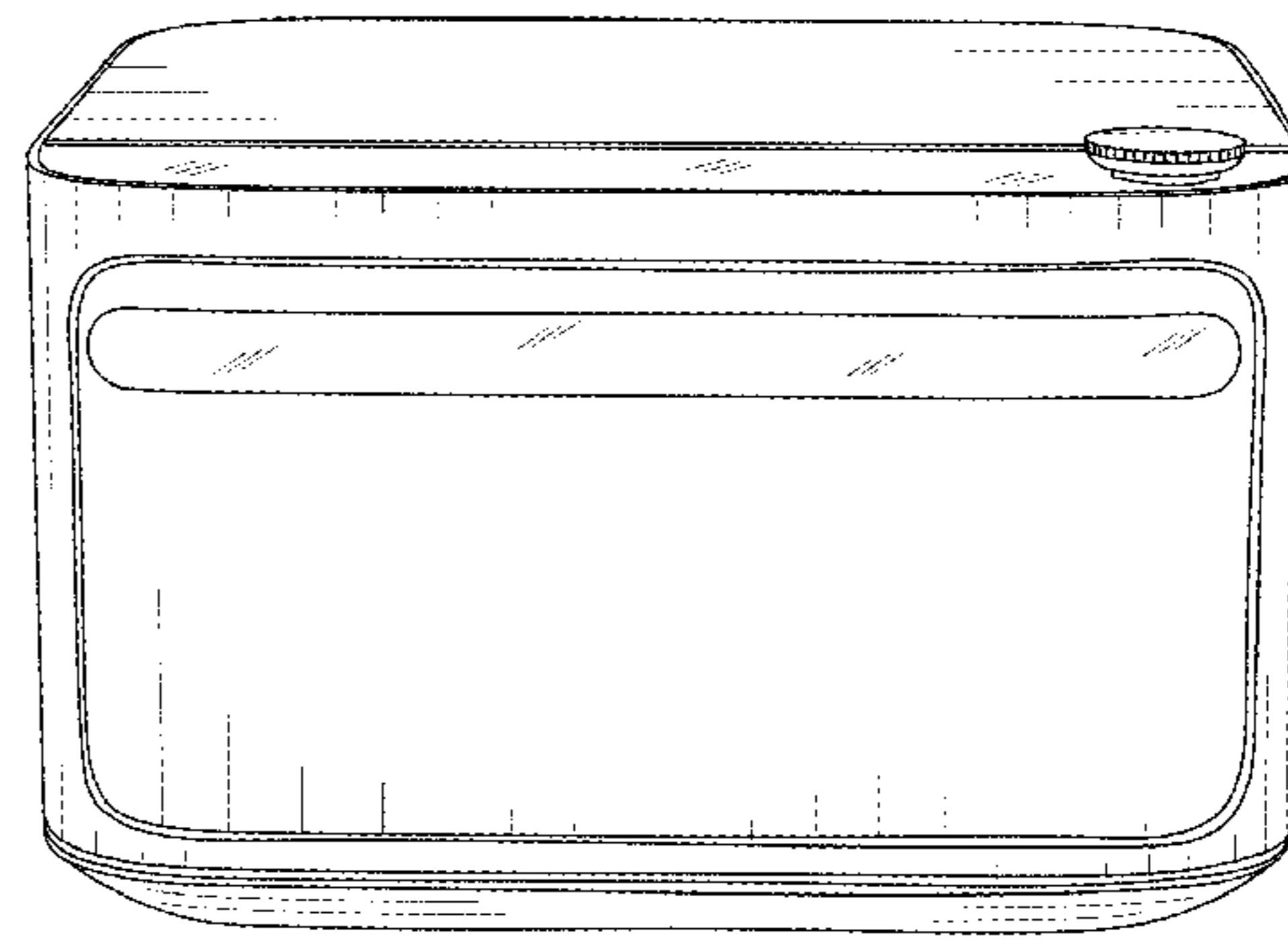
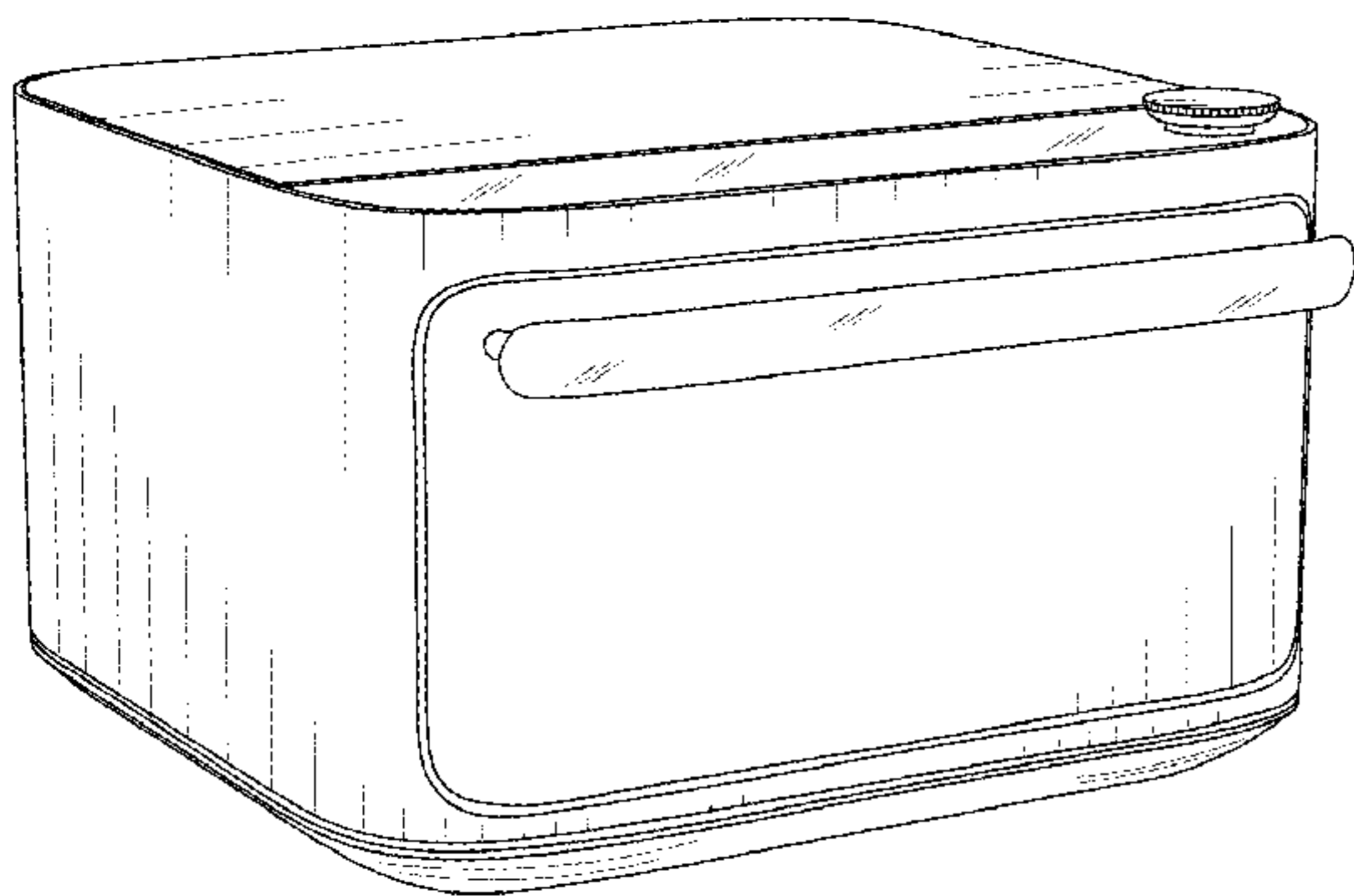
FIG. 1 is a front and left side perspective view of an oven showing our new design;

FIG. 2 is a front perspective view thereof;

FIG. 3 is a left side view thereof; and,

FIG. 4 is a front view thereof.

1 Claim, 4 Drawing Sheets



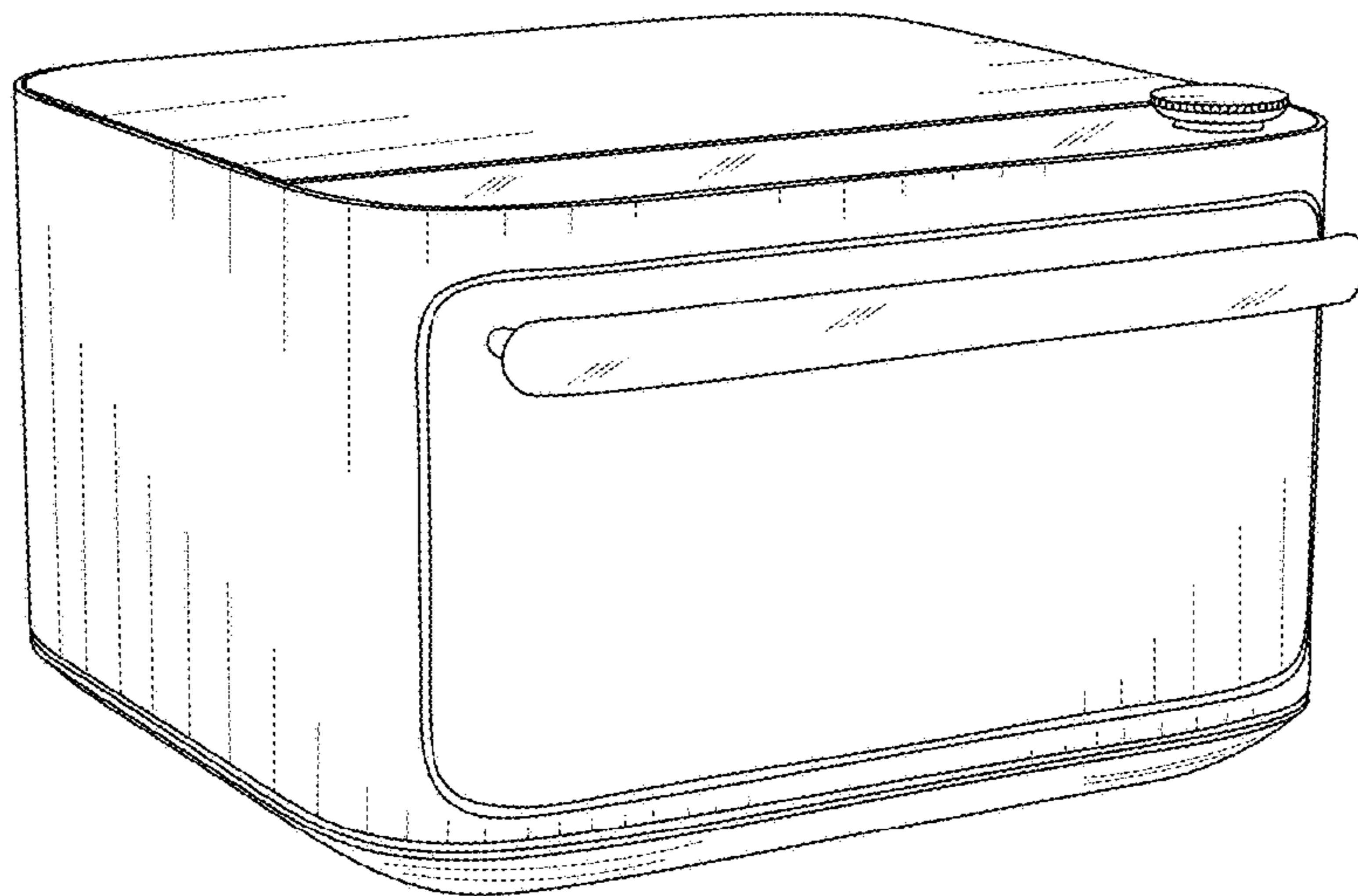


FIG. 1

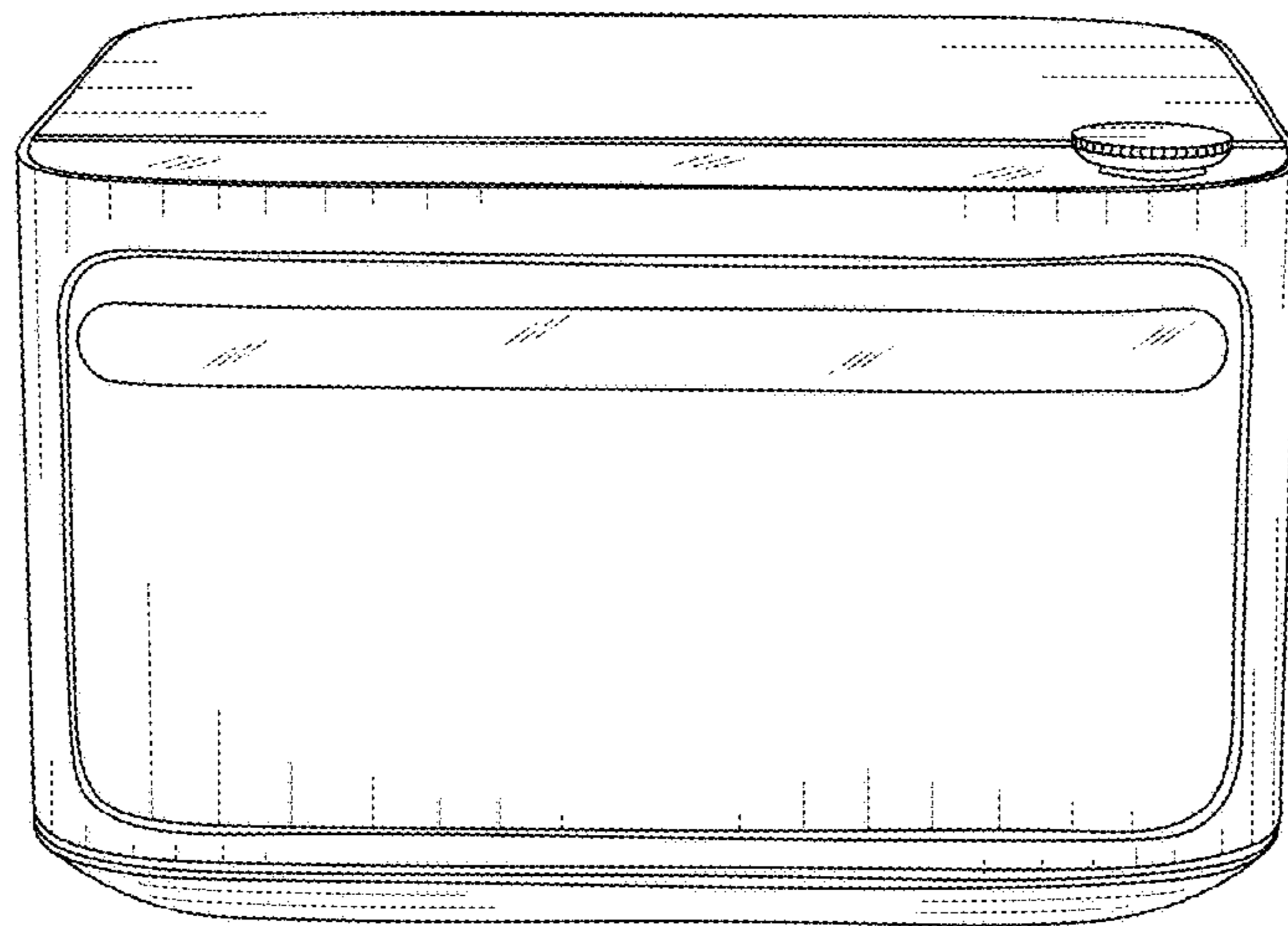


FIG. 2

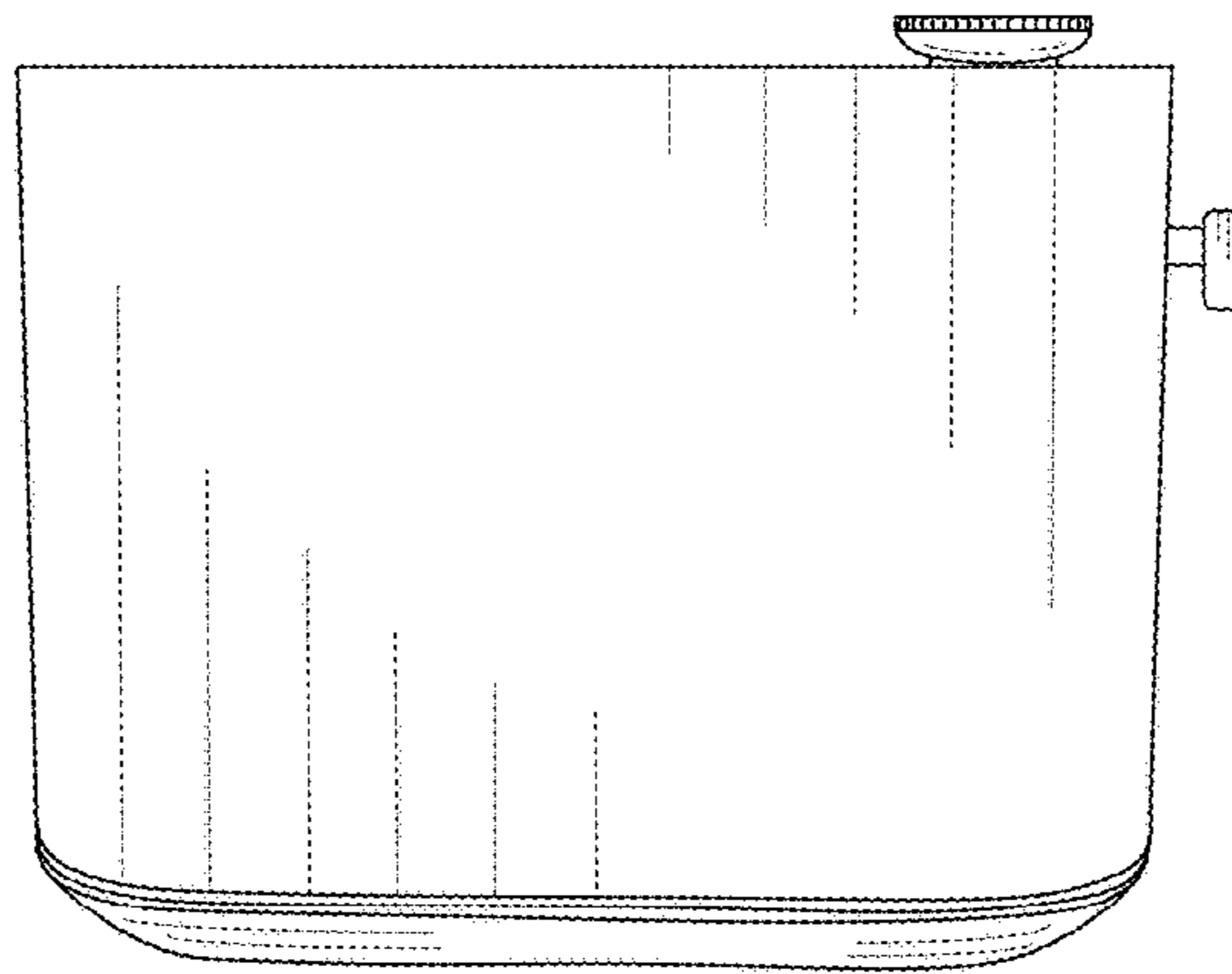


FIG. 3

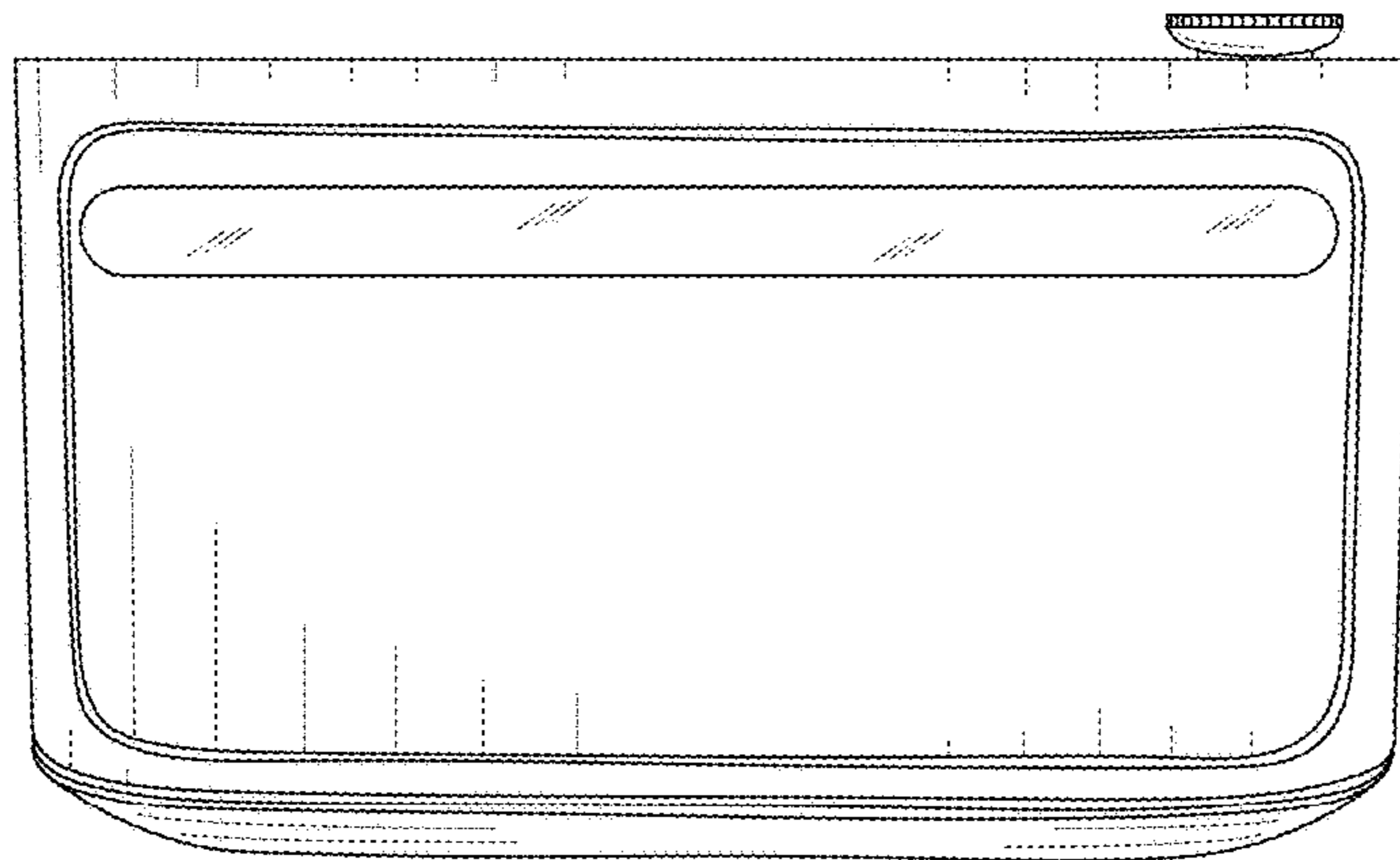


FIG. 4