

US00D860708S

(12) **United States Design Patent**  
**Tang**

(10) **Patent No.:** **US D860,708 S**

(45) **Date of Patent:** **\*\* Sep. 24, 2019**

(54) **KETTLE**

(71) Applicant: **Zhenliang Tang**, Jiangmen (CN)

(72) Inventor: **Zhenliang Tang**, Jiangmen (CN)

(\*\*) Term: **15 Years**

(21) Appl. No.: **29/597,572**

(22) Filed: **Mar. 17, 2017**

(30) **Foreign Application Priority Data**

Feb. 20, 2017 (CN) ..... 2017 3 0044197

(51) **LOC (12) Cl.** ..... **07-01**

(52) **U.S. Cl.**  
USPC ..... **D7/322**

(58) **Field of Classification Search**

USPC ..... D7/312, 316-320, 322, 598, 600;  
D9/544, 545, 548, 549

CPC ..... A47J 27/21; A47J 27/21008; A47J  
27/21041; A47G 19/14; A47G 19/22

See application file for complete search history.

(56) **References Cited**

**U.S. PATENT DOCUMENTS**

D336,006 S \* 6/1993 Lebowitz ..... D7/312  
6,006,959 A \* 12/1999 Naden ..... A47J 27/21191  
222/469

D427,004 S \* 6/2000 Thurlow ..... D7/312  
D453,657 S \* 2/2002 Eklin ..... D7/315  
D478,768 S \* 8/2003 Belton ..... D7/321  
D535,148 S \* 1/2007 Palm ..... D7/322  
D574,656 S \* 8/2008 Lebowitz ..... D7/317  
D638,248 S \* 5/2011 Lebowitz ..... D7/321

\* cited by examiner

*Primary Examiner* — Derrick E Holland

*Assistant Examiner* — Andrew Kerr

(57) **CLAIM**

The ornamental design for a kettle, as shown and described.

**DESCRIPTION**

FIG. 1 is a perspective view of a kettle showing my new design;

FIG. 2 is a front view thereof;

FIG. 3 is a rear thereof;

FIG. 4 is a left view thereof;

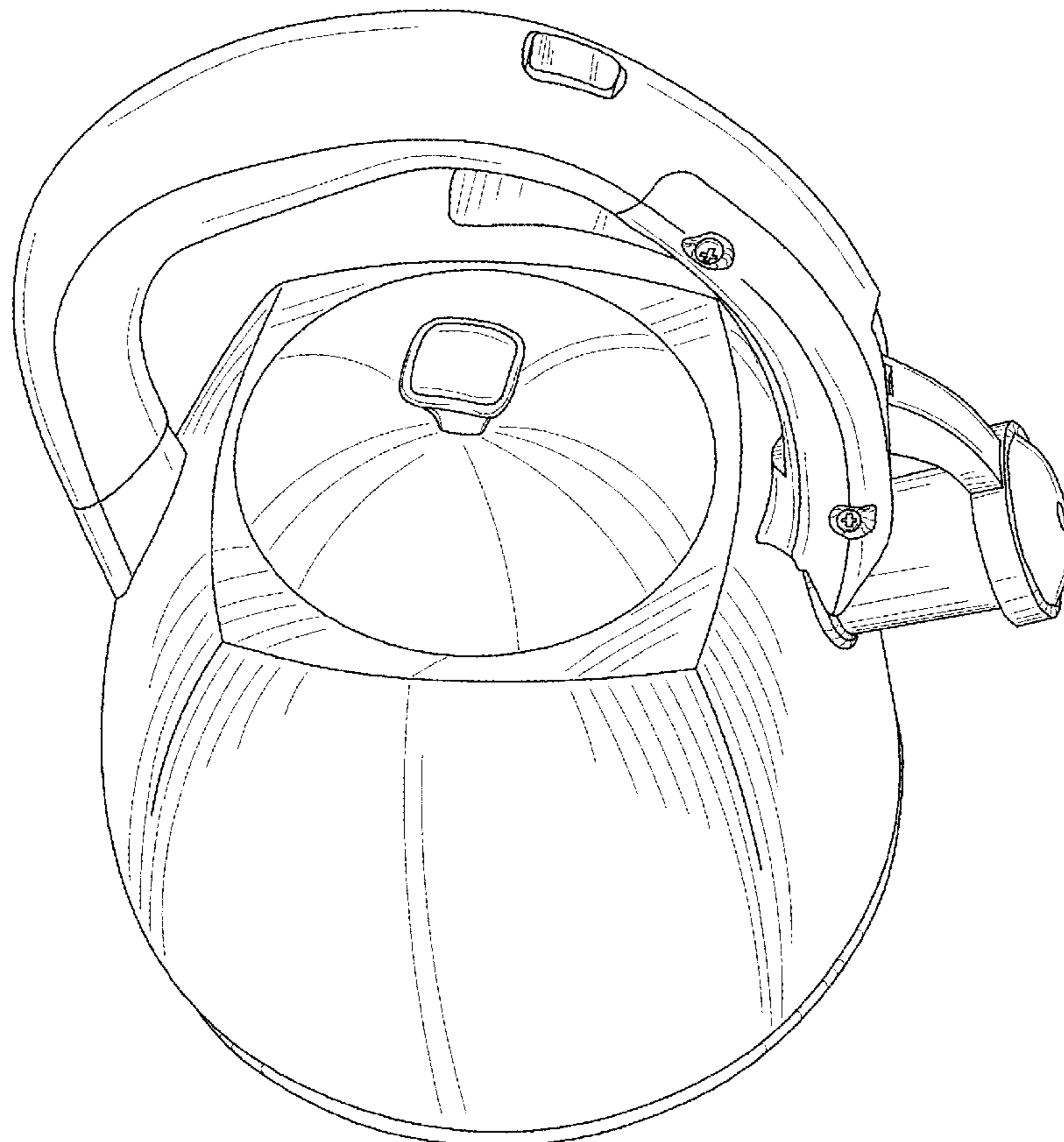
FIG. 5 is a right view thereof;

FIG. 6 is a top view thereof; and,

FIG. 7 is a bottom view thereof.

The broken lines in the drawings represent environmental structure and form no part of the claimed design.

**1 Claim, 7 Drawing Sheets**



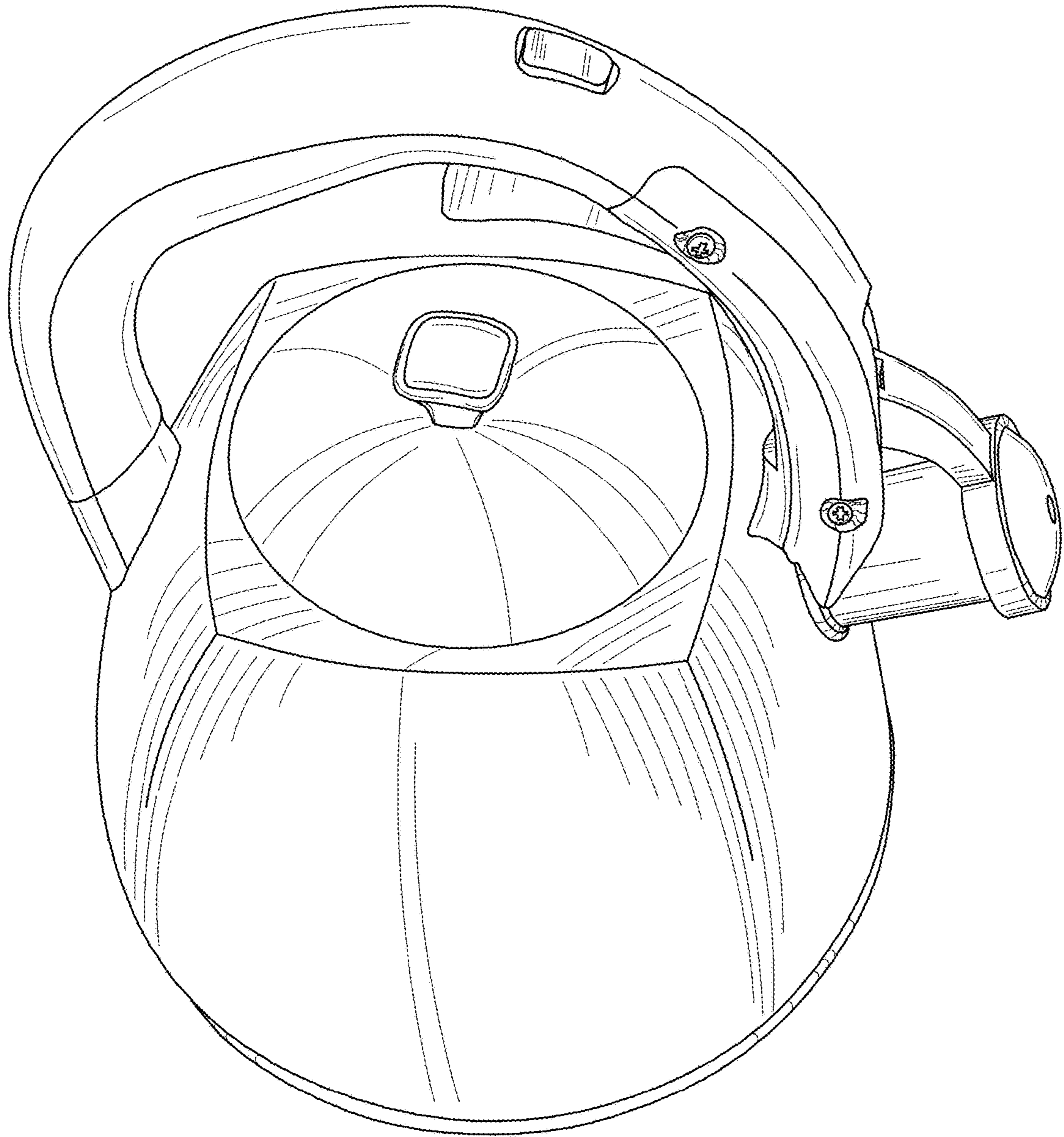


FIG.1

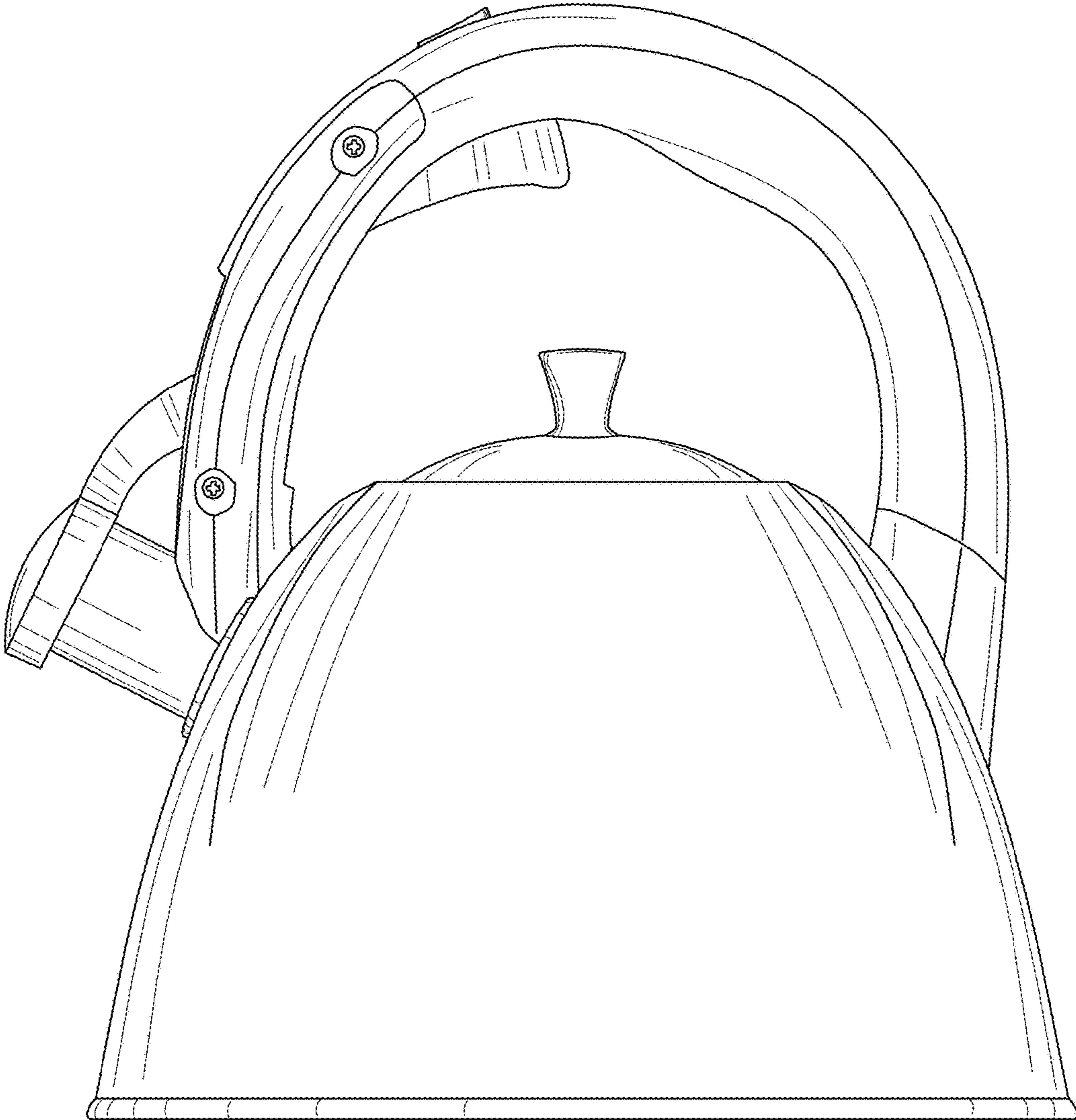


FIG.2

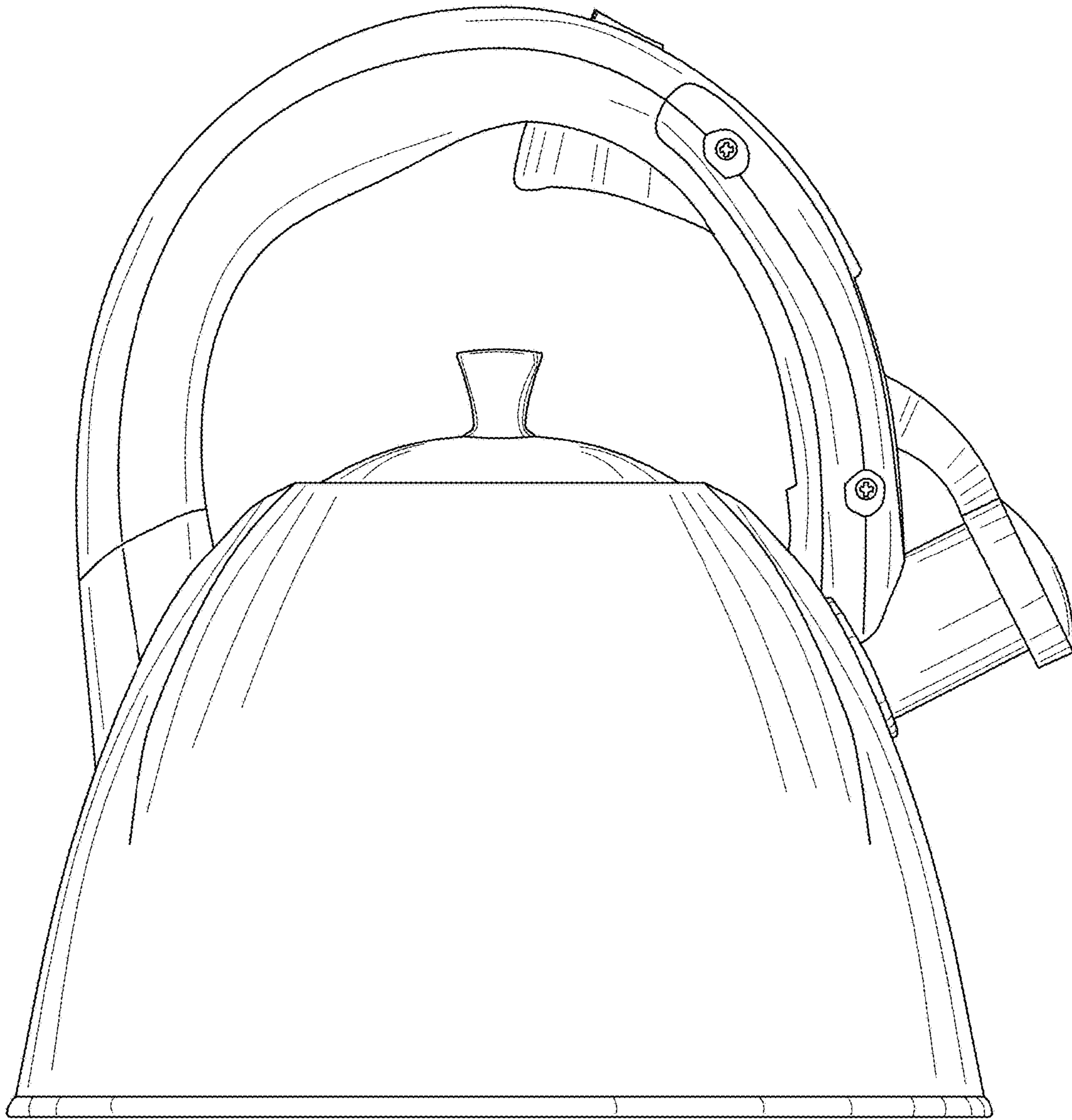


FIG.3

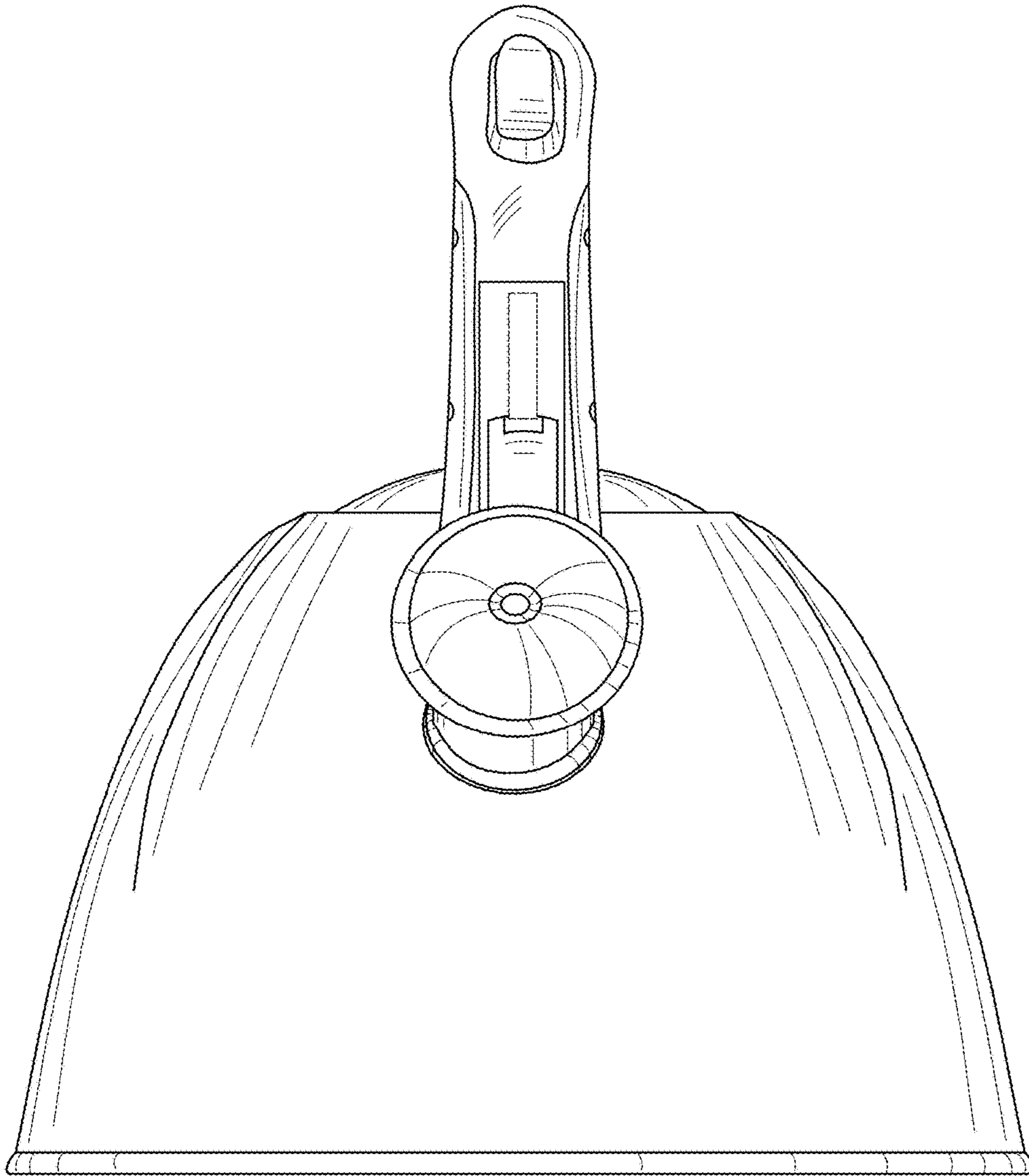


FIG.4

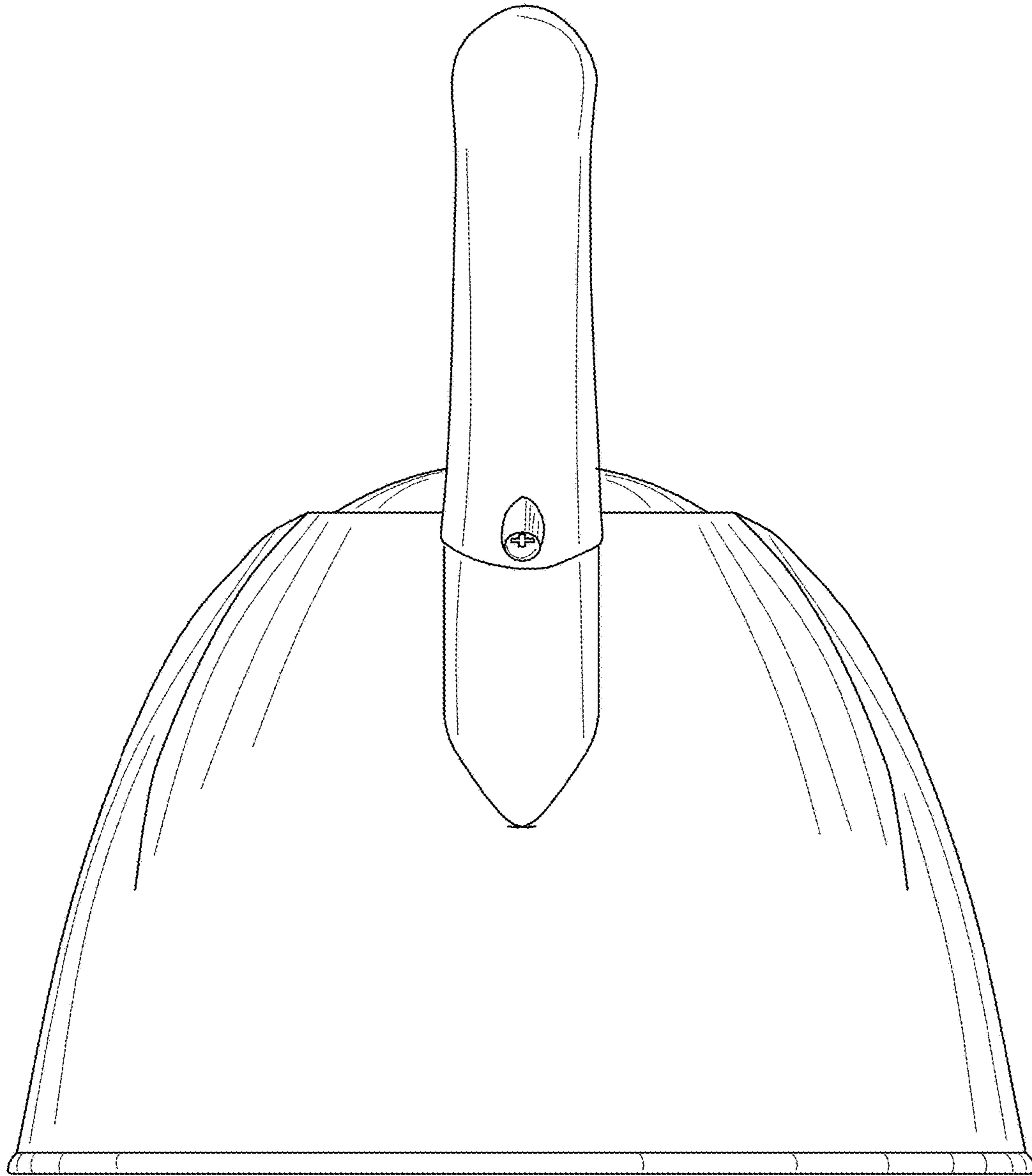


FIG. 5

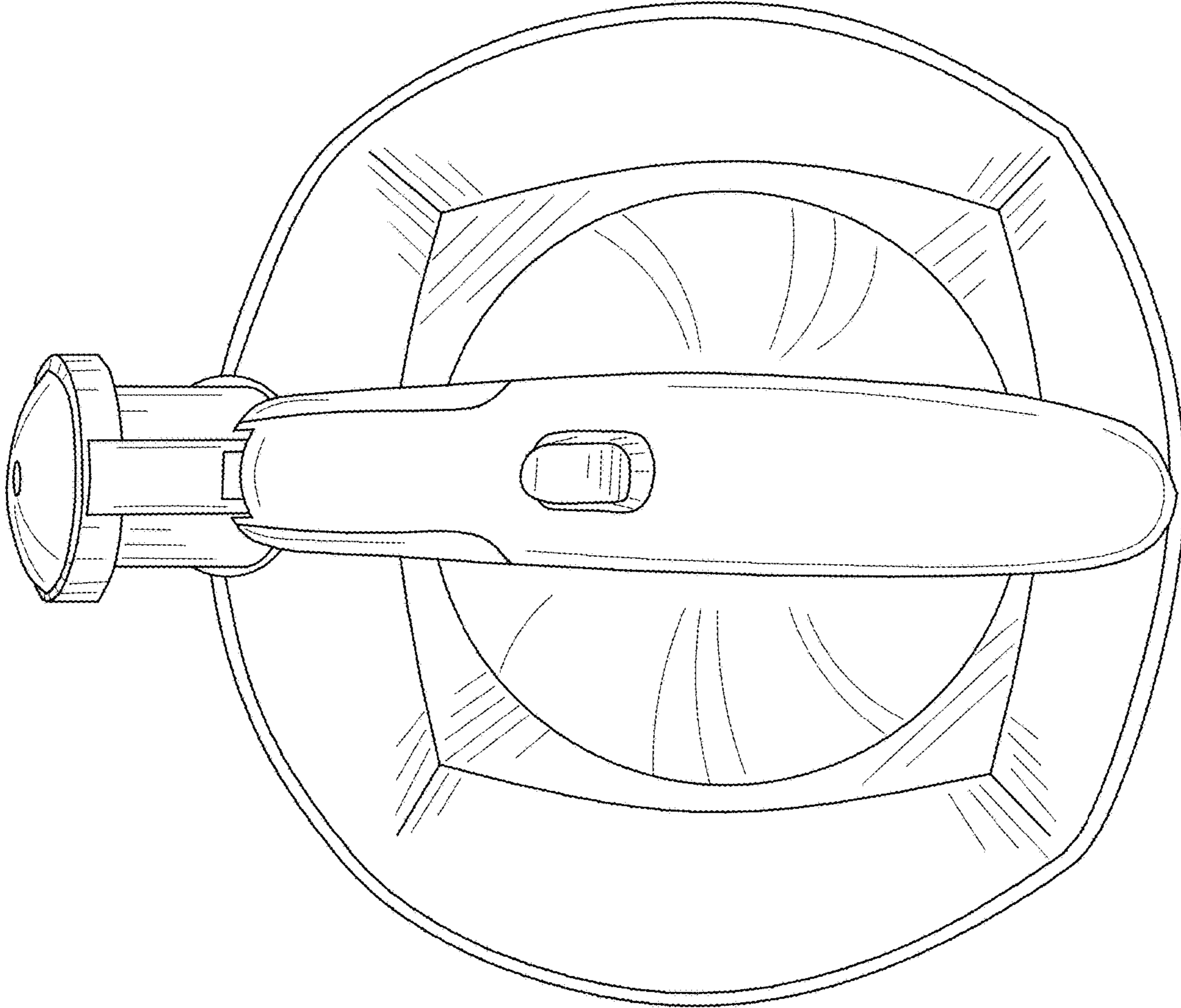


FIG.6

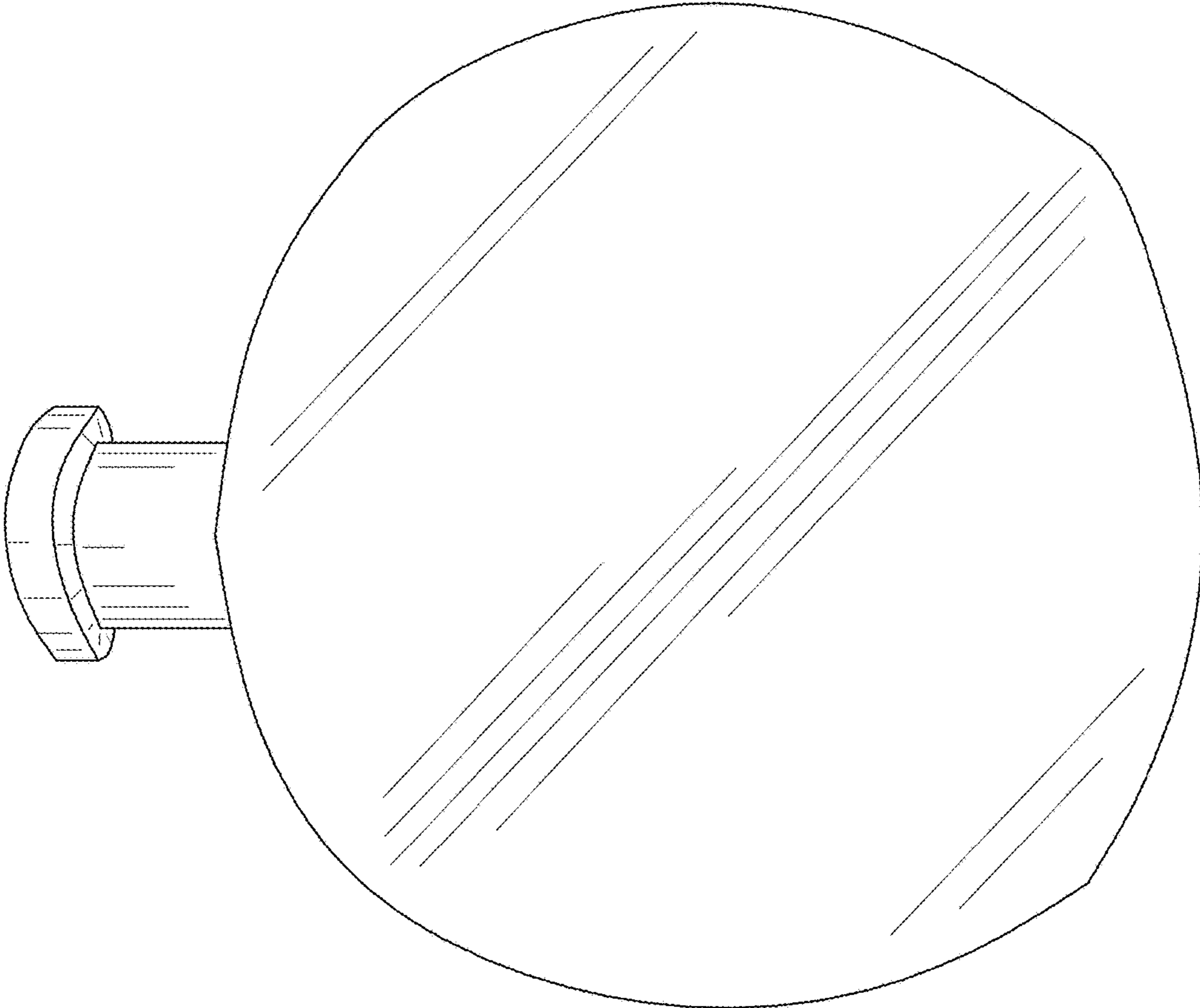


FIG.7