

US00D860707S

(12) **United States Design Patent** (10) **Patent No.:** **US D860,707 S**
Pirnat (45) **Date of Patent:** **** Sep. 24, 2019**

(54) **COFFEE BREWER**

(71) Applicant: **ZkotZ d.o.o.**, Ljubljana Dobrunje (SI)
(72) Inventor: **Luka Pirnat**, Ljubljana Dobrunje (SI)
(73) Assignee: **ZkotZ d.o.o.**, Ljubljana Dobrunje (SI)
(**) Term: **15 Years**

(21) Appl. No.: **29/601,052**
(22) Filed: **Apr. 18, 2017**
(51) **LOC (12) Cl.** **07-01**
(52) **U.S. Cl.**
USPC **D7/318; D7/310**
(58) **Field of Classification Search**
USPC D7/300, 305, 306, 309, 310, 312, 316,
D7/318, 319, 368, 667, 669, 700, 372,
D7/373
CPC .. A47J 31/10; A47J 31/24; A47J 31/36; A47J
31/38; A47J 31/40
See application file for complete search history.

(56) **References Cited**

U.S. PATENT DOCUMENTS

5,943,946 A * 8/1999 Chen A47J 31/20
99/297
D608,142 S * 1/2010 Davies D7/397
D677,103 S * 3/2013 Melzer D7/317
D695,065 S * 12/2013 Seymour D7/300
9,392,900 B2 * 7/2016 McLean A47J 31/20
D794,375 S * 8/2017 Fukushima D7/309

FOREIGN PATENT DOCUMENTS

EP 003367440-0001 6/2016

OTHER PUBLICATIONS

Goat Brewing Instrument | posted at Amazon.com, posted on Jun. 25, 2018, © 1996-2018 Amazon.com, [online], [site visited Feb. 6, 2019]. Available from Internet, <URL: <https://www.amazon.com/Goat-Story-Coffee-Brewing-Instrument/dp/B07B4DNQBB/>> (Year: 2018).*

* cited by examiner

Primary Examiner — Derrick E Holland
Assistant Examiner — Andrew Kerr
(74) *Attorney, Agent, or Firm* — F. Chau & Associates, LLC

(57) **CLAIM**

The ornamental design for a coffee brewer, as shown and described.

DESCRIPTION

FIG. 1 is a front perspective view of a coffee brewer showing our new design;
FIG. 2 is a rear perspective view thereof;
FIG. 3 is a front elevational view thereof;
FIG. 4 is a right side elevational view thereof;
FIG. 5 is a back elevational view thereof;
FIG. 6 is an exploded perspective view thereof;
FIG. 7 is a top plan view thereof;
FIG. 8 is a cross-sectional view taken along line 8-8 of FIG. 7; and,
FIG. 9 is a cross-sectional view taken along line 9-9 of FIG. 7.
The dot-dash broken lines represent the cross-sectional view sight line designations and form no part of the claimed design.

1 Claim, 9 Drawing Sheets

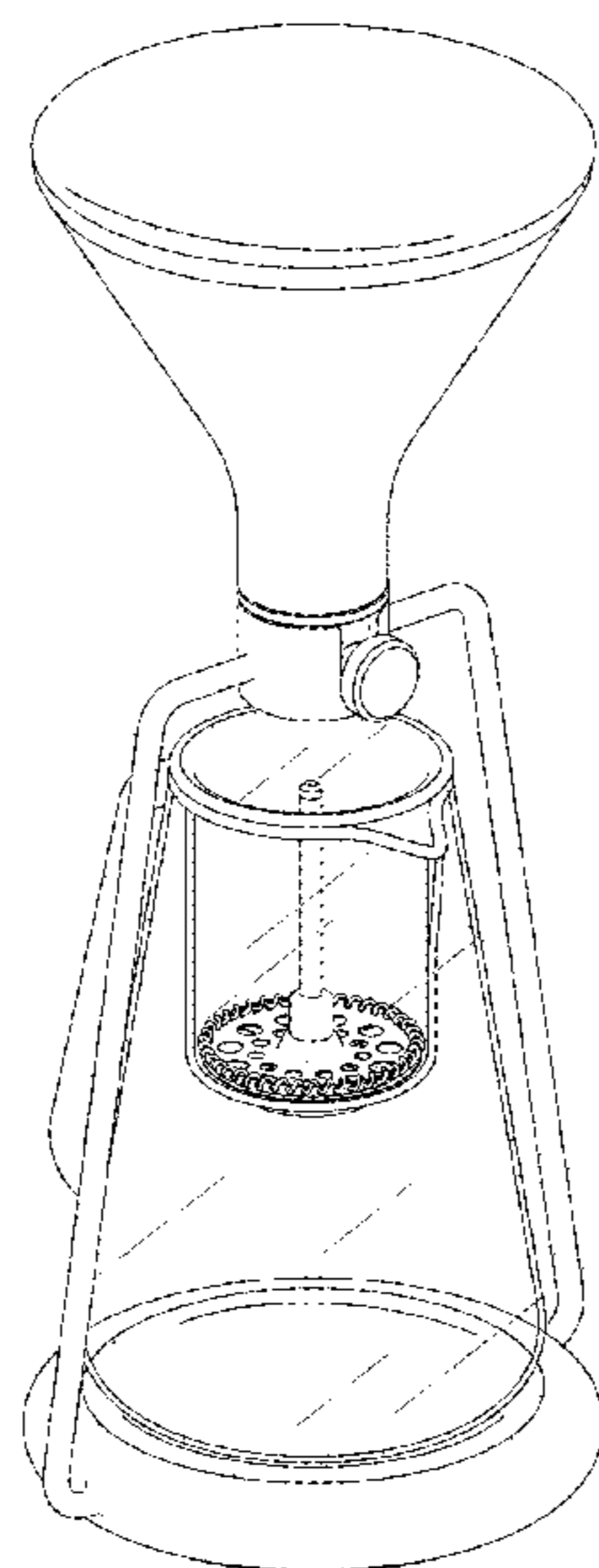


Fig 1.

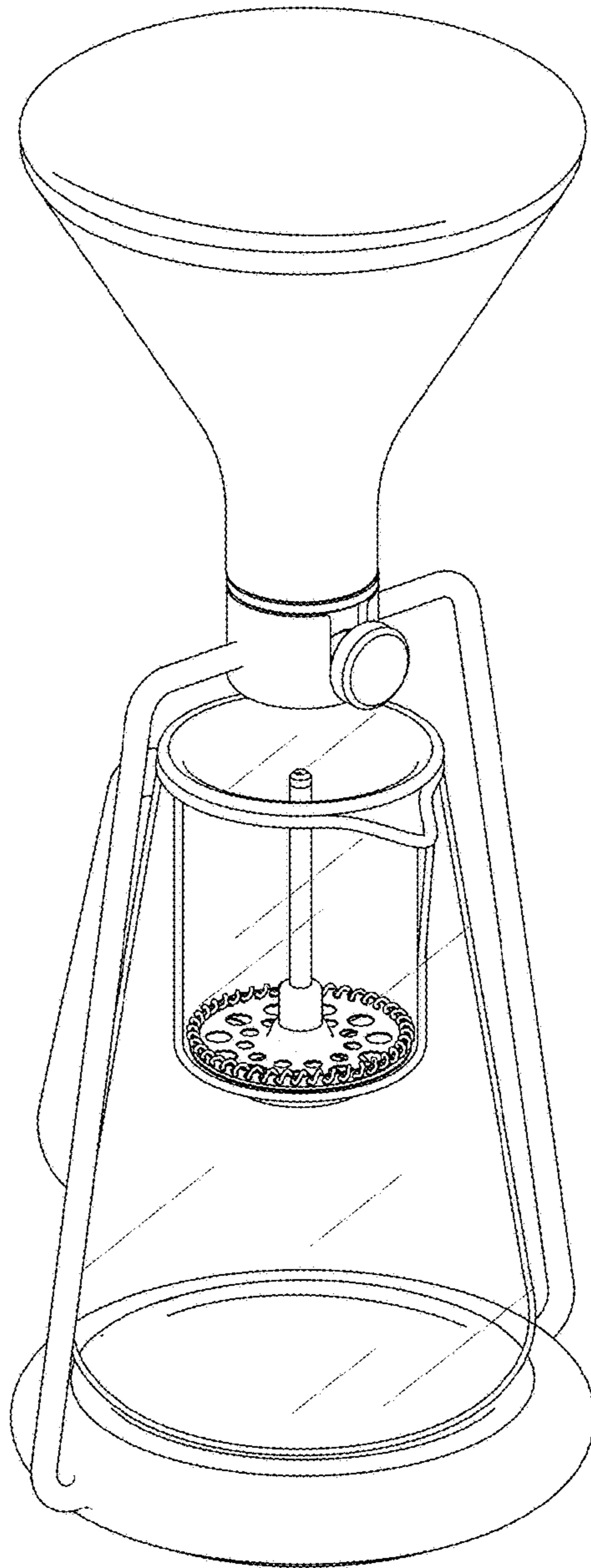


Fig 2.

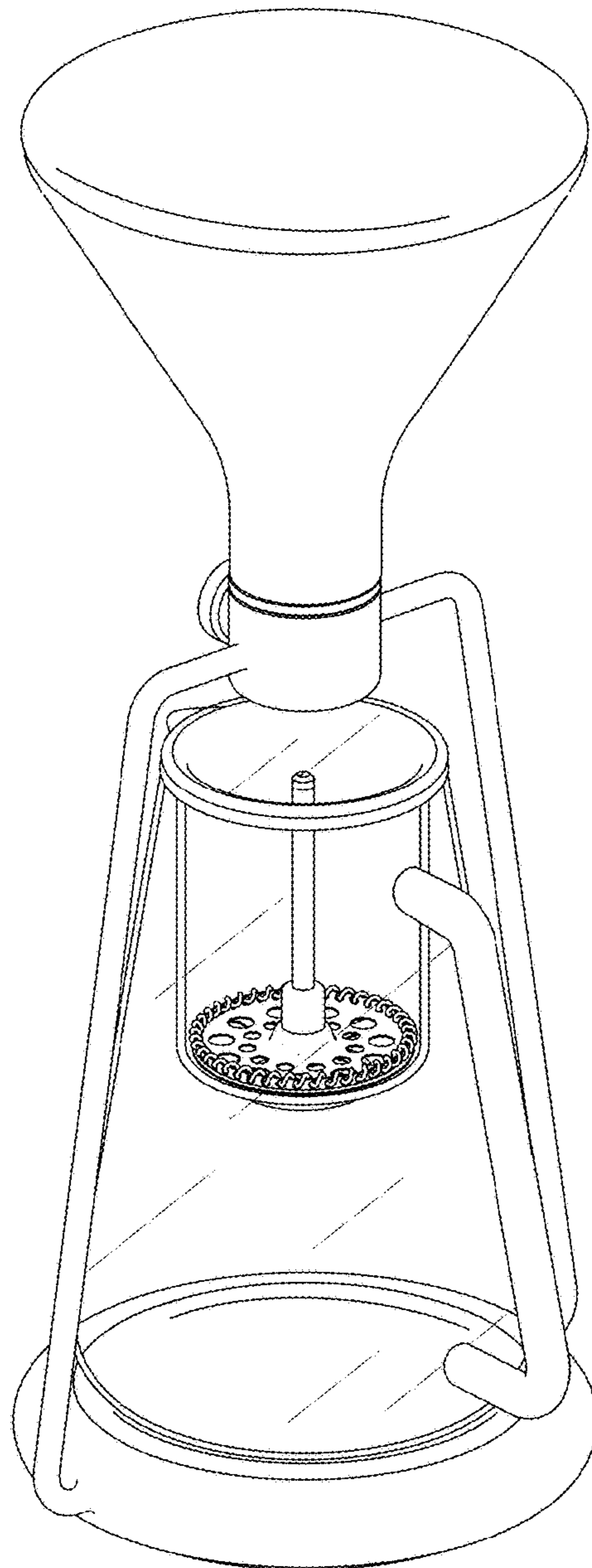


Fig 3.

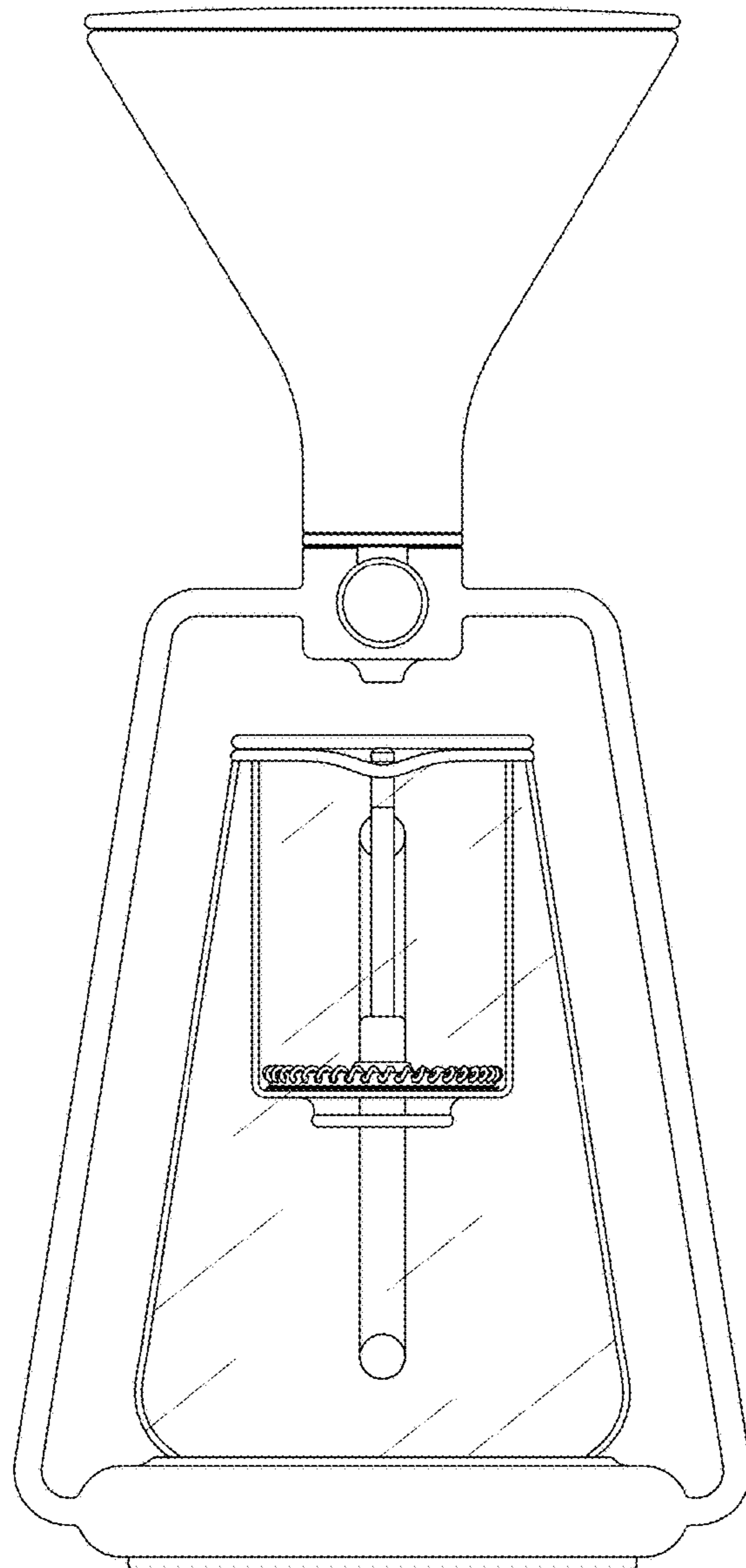


Fig 4.

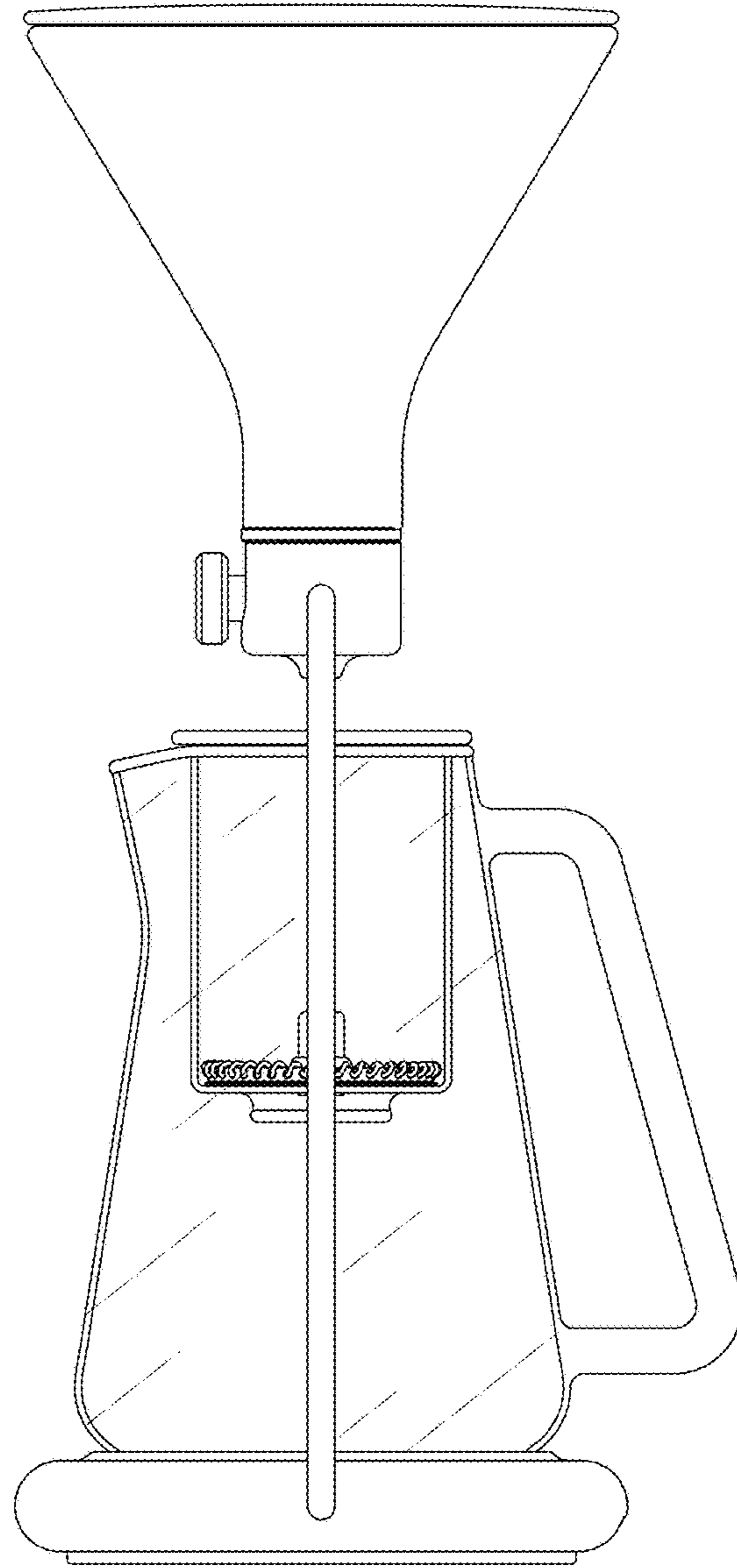


Fig 5.

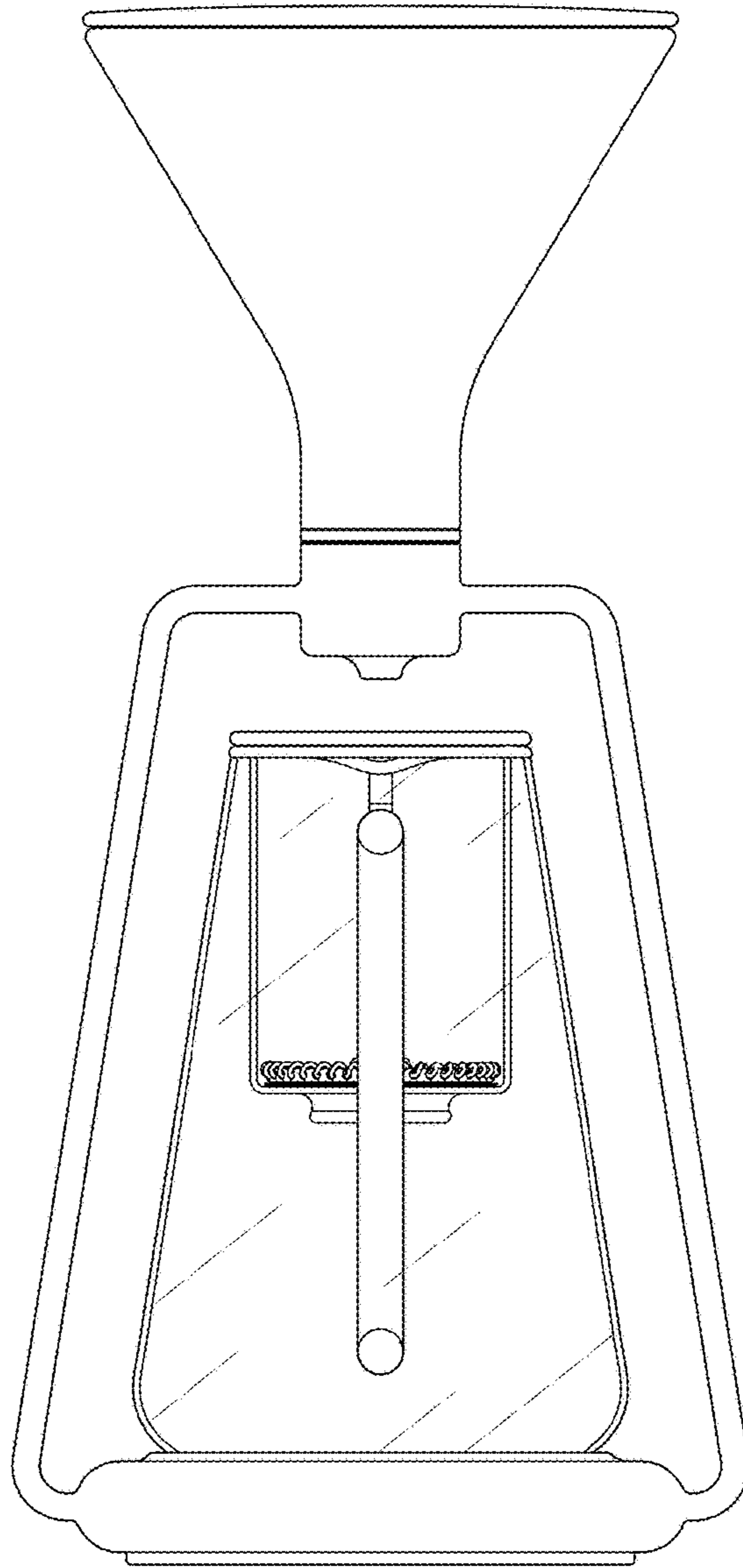


Fig 6.



Fig 7.

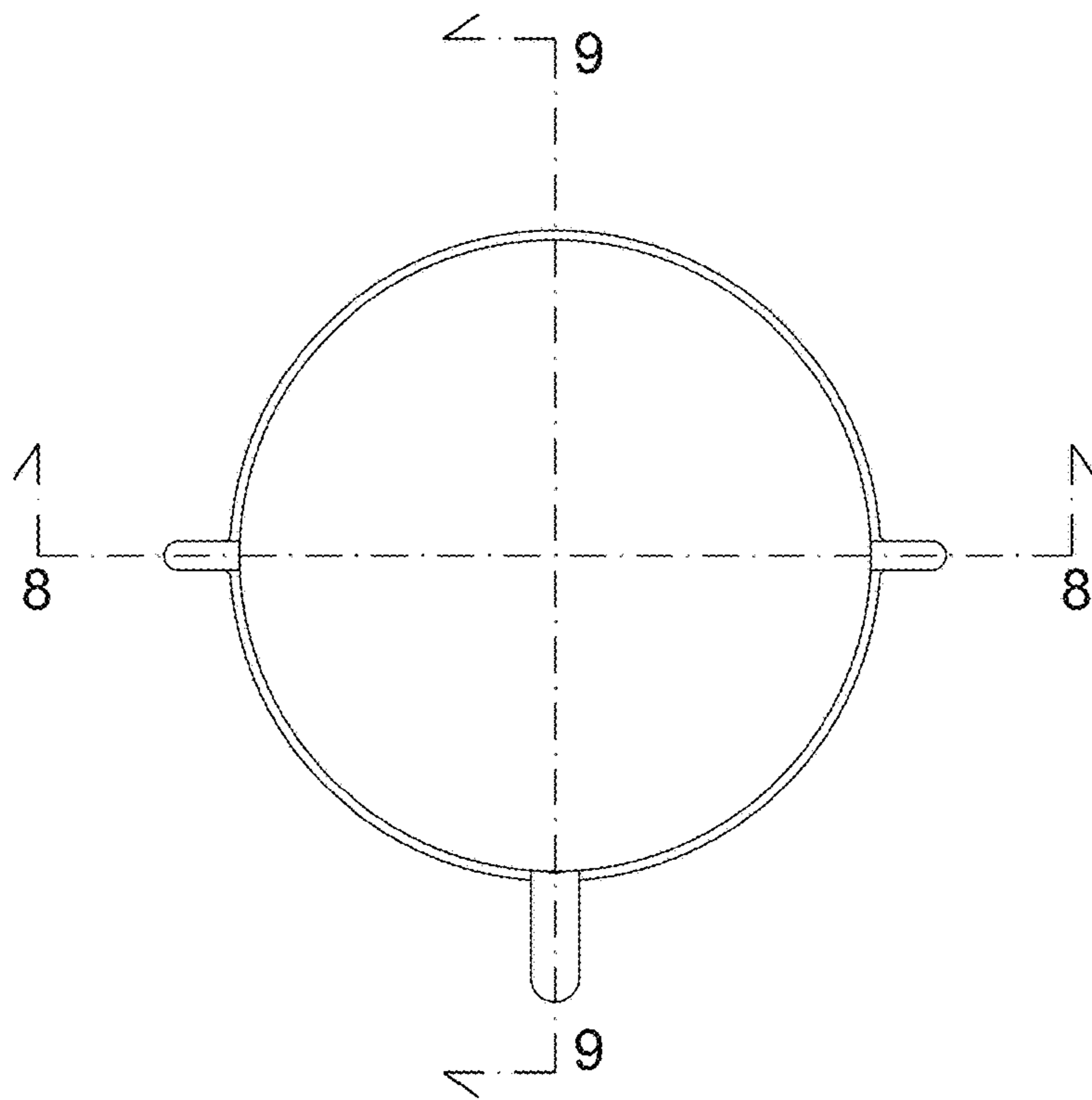


Fig 8.

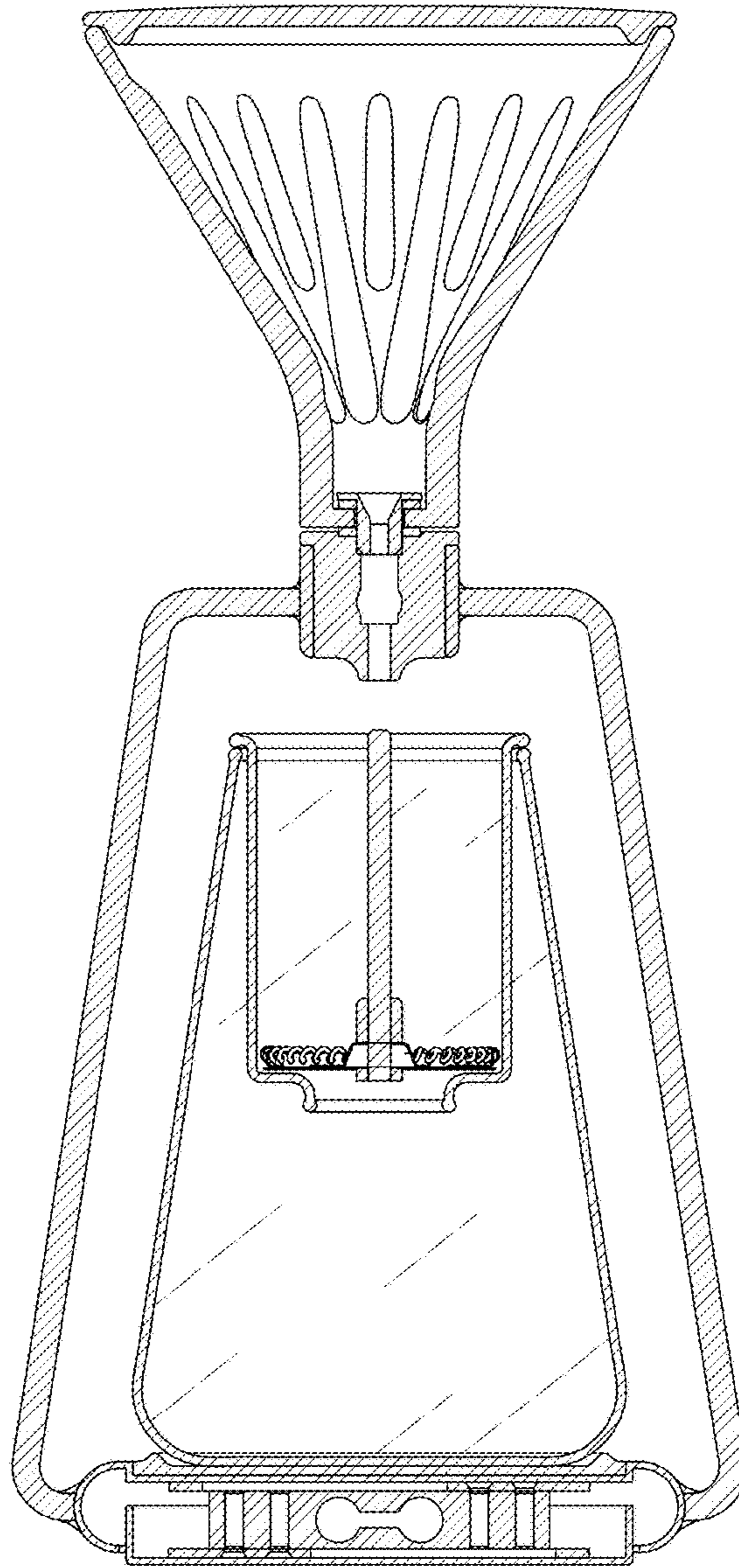


Fig 9.

