



US00D860706S

(12) **United States Design Patent** (10) **Patent No.:** **US D860,706 S**
Koury et al. (45) **Date of Patent:** **** Sep. 24, 2019**

(54) **BEVERAGE MACHINE**
(71) Applicant: **Keurig Green Mountain, Inc.**,
Burlington, MA (US)
(72) Inventors: **Steffen F. Koury**, Nahant, MA (US);
Paul K. Metaxatos, Swampscott, MA
(US); **James T. McGee**, Winthrop, MA
(US); **Brendan B. Crawford**, Boston,
MA (US); **Benjamin Worth Coble**,
Cambridge, MA (US); **Wayne Boucher**,
Manchester, NH (US); **Joseph James
George**, Amherst, NH (US)

(73) Assignee: **Keurig Green Mountain, Inc.**,
Burlington, MA (US)

(**) Term: **15 Years**

(21) Appl. No.: **29/654,325**

(22) Filed: **Jun. 22, 2018**

(51) **LOC (12) Cl.** **07-01**

(52) **U.S. Cl.**
USPC **D7/306; D7/311**

(58) **Field of Classification Search**
USPC D7/305-311, 313, 397; D15/82;
222/129.1, 146.6; 99/295; D20/1, 4;
D14/307
CPC A47J 31/44; A47J 31/4403; A47J 31/46;
B67D 1/36; B67D 2210/0065; B67D
1/0864; A23C 9/122
See application file for complete search history.

(56) **References Cited**

U.S. PATENT DOCUMENTS

D408,679 S * 4/1999 Potts D7/306
D513,572 S * 1/2006 Schaffeld D7/309
D667,252 S * 9/2012 Rousselin D7/309
D727,084 S * 4/2015 Dorr D7/309

D756,696 S 5/2016 Murphy et al.
D760,008 S * 6/2016 Moon D7/306
D769,662 S * 10/2016 Palermo D7/306
D771,992 S * 11/2016 Yang D7/306
D785,392 S * 5/2017 Palermo D7/306
D796,885 S * 9/2017 Wang D7/306
D803,611 S * 11/2017 Hanneson D7/306
D823,035 S * 7/2018 Ricica D7/309
D823,040 S * 7/2018 Bock D7/309
D840,733 S * 2/2019 Hale D7/306

OTHER PUBLICATIONS

U.S. Appl. No. 29/640,859, filed Mar. 16, 2018, Koury et al.
(Continued)

Primary Examiner — Marianne N Pandozzi
(74) *Attorney, Agent, or Firm* — Wolf, Greenfield &
Sacks, P.C.

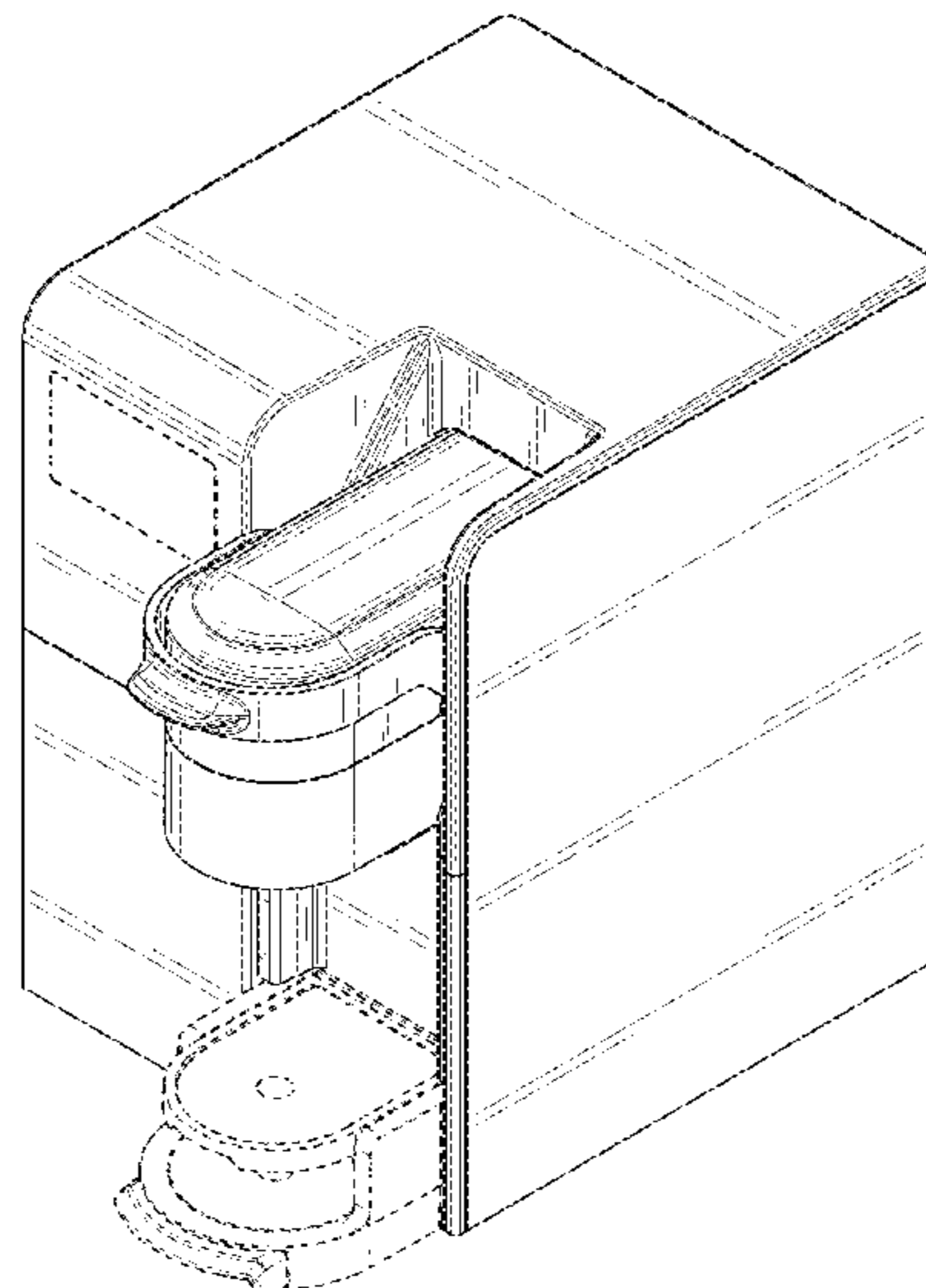
(57) **CLAIM**

The ornamental design for a beverage machine, as shown
and described.

DESCRIPTION

FIG. 1 is a top, front, right side perspective view of a
beverage machine showing our new design;
FIG. 2 is a front elevation view thereof;
FIG. 3 is a rear elevation view thereof;
FIG. 4 is a left side elevation view thereof;
FIG. 5 is a right side elevation view thereof;
FIG. 6 is a top plan view thereof; and,
FIG. 7 is a bottom plan view thereof.
The broken lines illustrate portions of the beverage machine
that form no part of the claimed design.
The claimed ornamental design for the beverage machine
may be applied to an operable beverage machine or a
non-operable beverage machine (e.g., a toy beverage
machine or a model beverage machine.)

1 Claim, 7 Drawing Sheets



(56)

References Cited

OTHER PUBLICATIONS

[No Author Listed] Image of Breville BKC600XL, publicly available prior to Mar. 16, 2018, 1 page.

[No Author Listed] Image of Keung VUE 1200, publicly available prior to Mar. 16, 2018, 1 page.

[No Author Listed] Images of SodaStream, publicly available prior to Mar. 16, 2018, 2 pages.

* cited by examiner

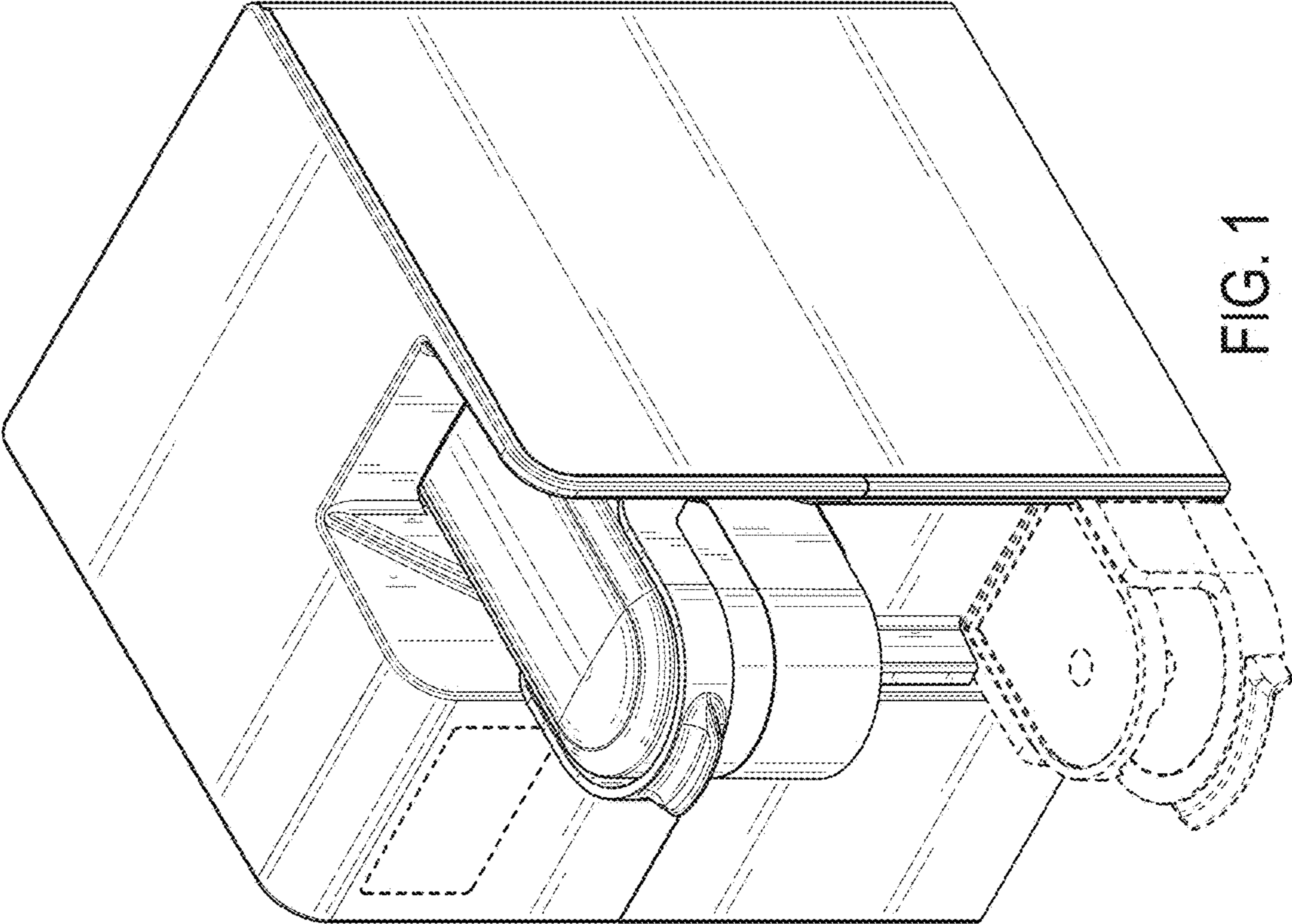


FIG. 1

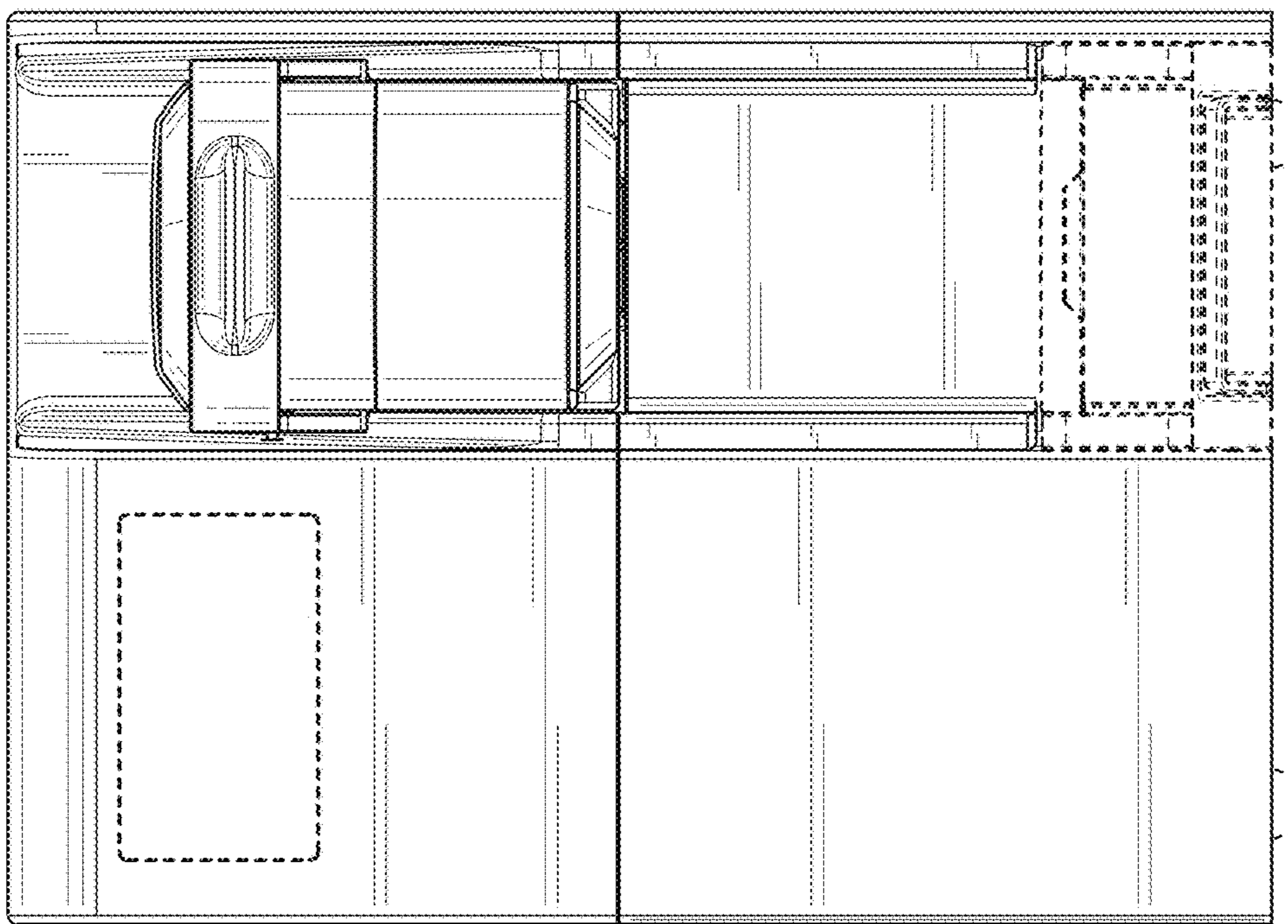


FIG. 2

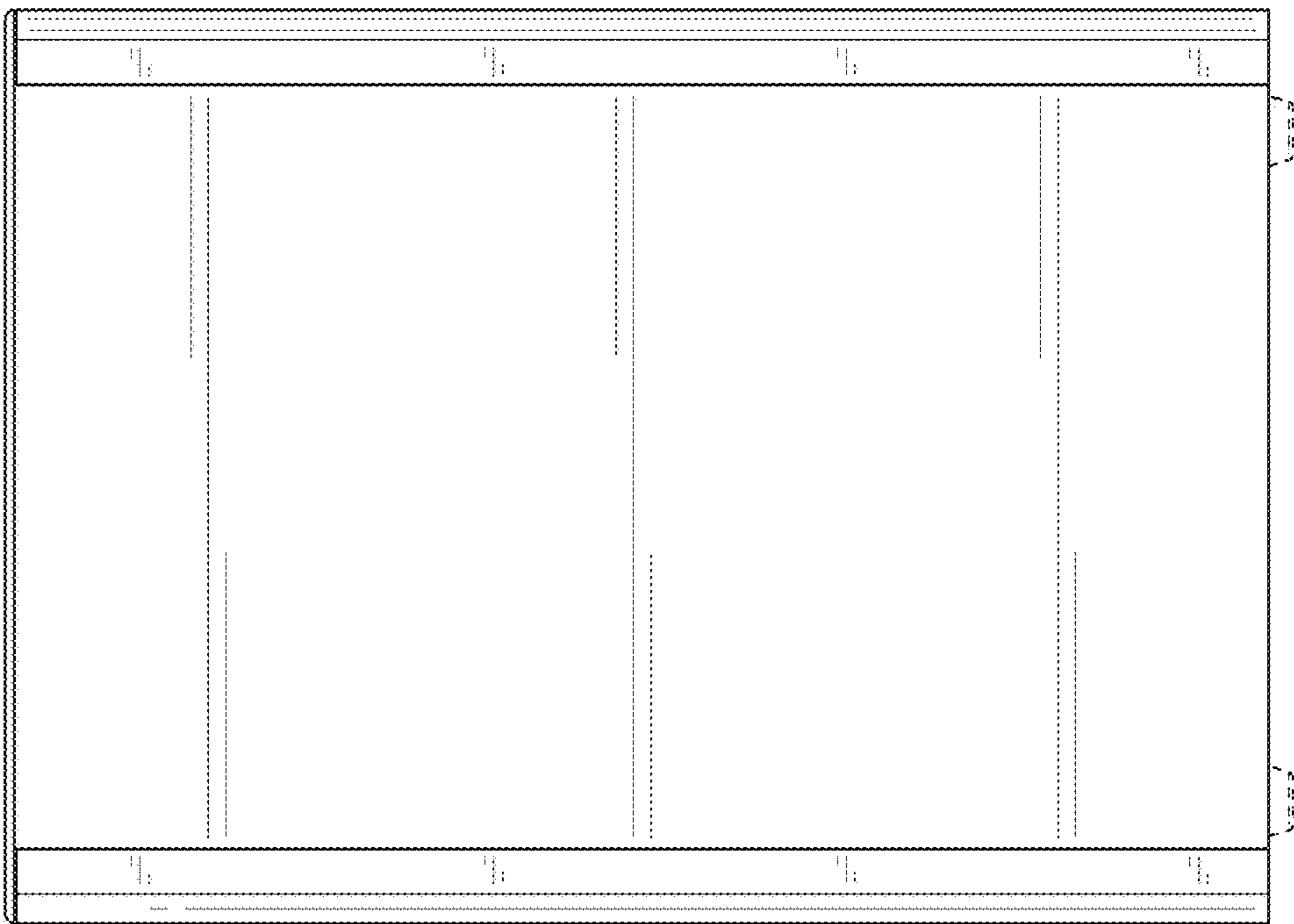


FIG. 3

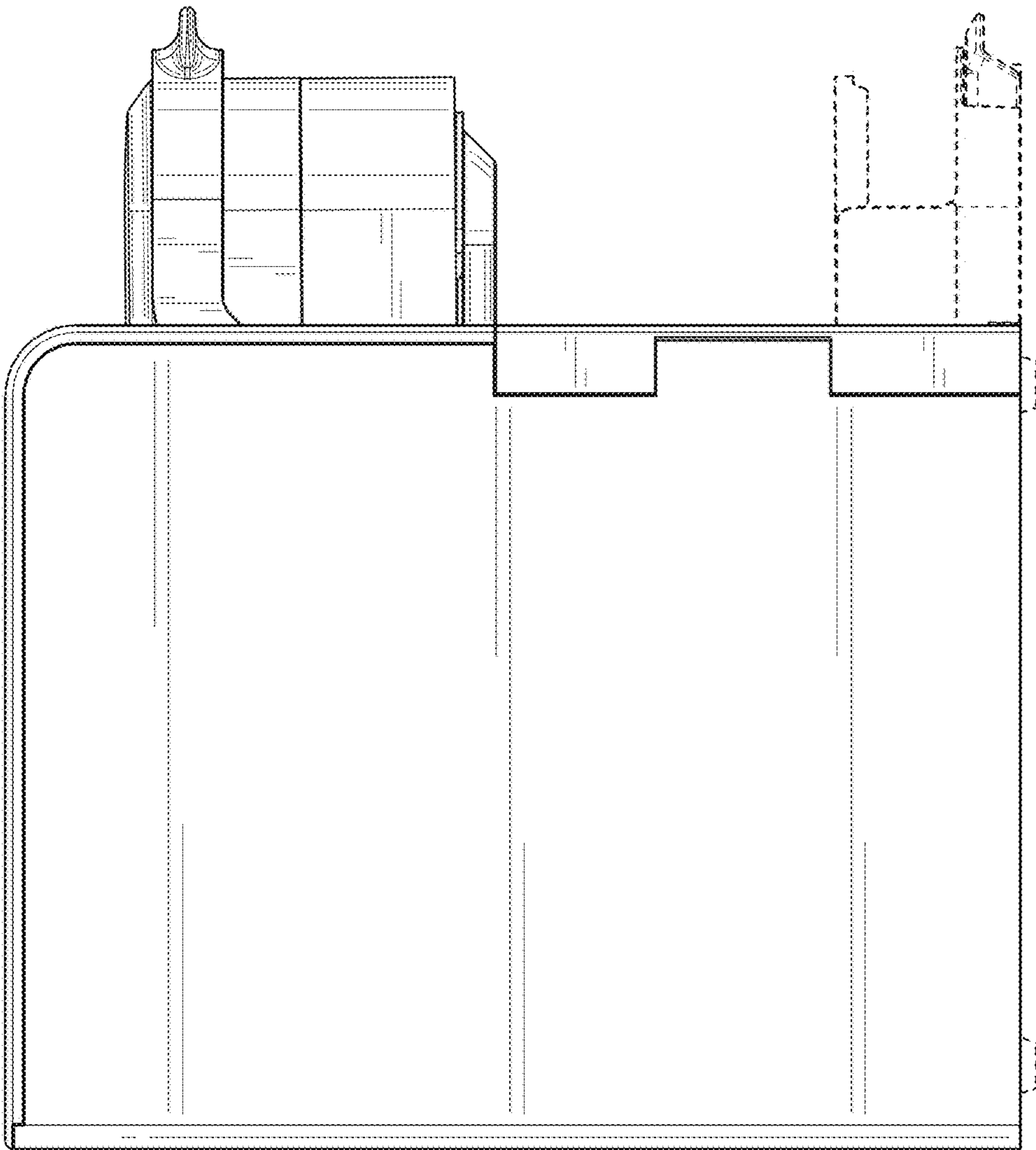


FIG. 4

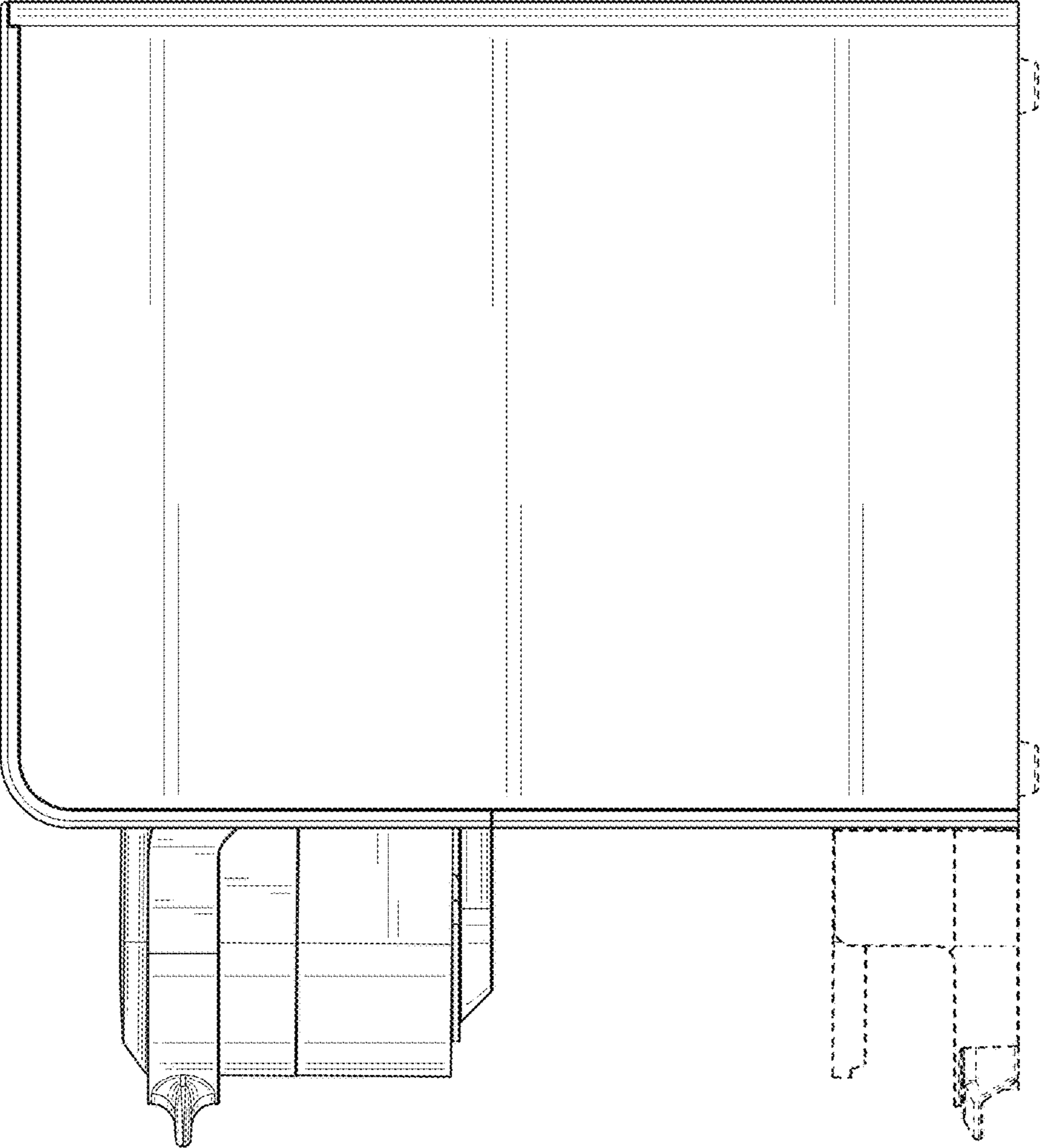


FIG. 5

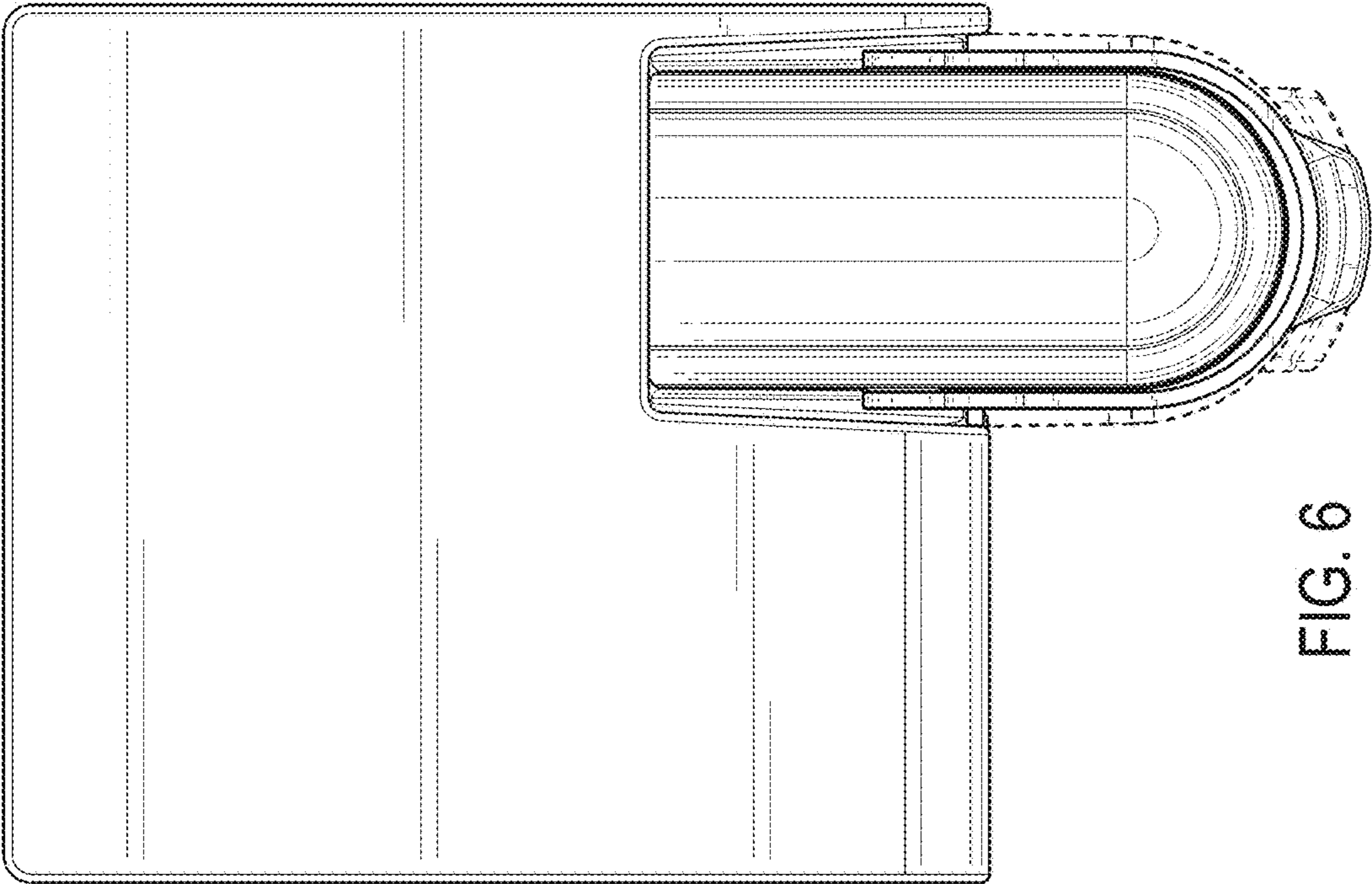


FIG. 6

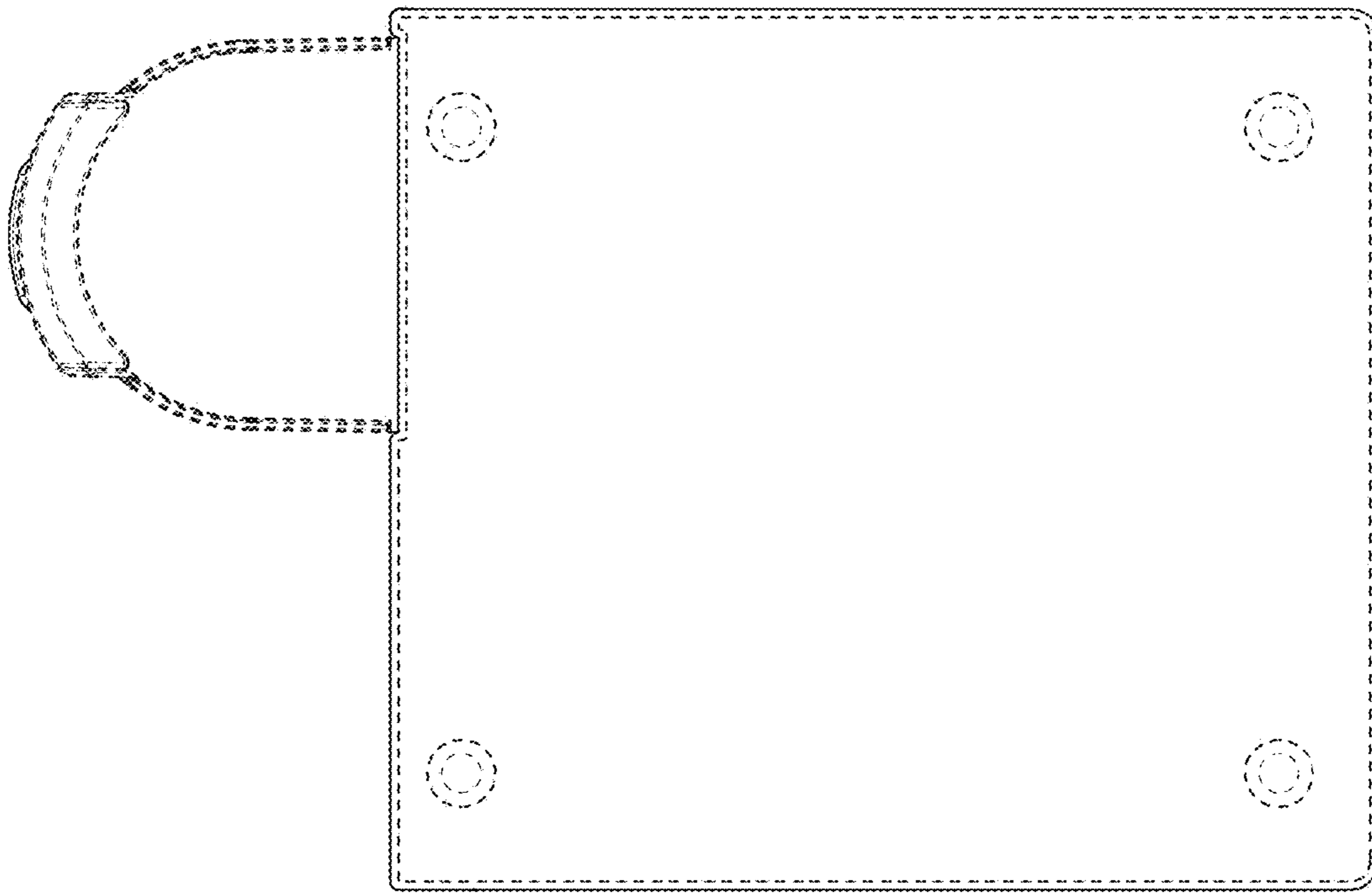


FIG. 7