

US00D860703S

(12) **United States Design Patent**
Walker et al.

(10) **Patent No.:** **US D860,703 S**

(45) **Date of Patent:** **** Sep. 24, 2019**

(54) **CHAIR**

(71) Applicant: **Herman Miller, Inc.**, Zeeland, MI (US)

(72) Inventors: **Brock Walker**, Okemos, MI (US);
Mark Goetz, Brooklyn, NY (US)

(73) Assignee: **HERMAN MILLER, INC.**, Zeeland,
MI (US)

(**) Term: **15 Years**

(21) Appl. No.: **29/603,773**

(22) Filed: **May 12, 2017**

(51) **LOC (12) Cl.** **06-01**

(52) **U.S. Cl.**

USPC **D6/716.4**

(58) **Field of Classification Search**

USPC D6/334-336, 364, 365, 366, 371, 372,
D6/373, 379, 716, 716.1, 716.2, 716.3,
D6/716.4

CPC .. A47C 1/03; A47C 7/004; A47C 7/18; A47C
7/24; A47C 7/40; A47C 7/54; A47C
7/546

See application file for complete search history.

(56) **References Cited**

U.S. PATENT DOCUMENTS

4,556,254 A * 12/1985 Roberts A47C 7/40
297/452.36
D292,351 S * 10/1987 Brossard D6/366

D680,345 S * 4/2013 Xingchang D6/366
D698,191 S * 1/2014 Kubryk D6/716
D705,561 S * 5/2014 Massaud D6/366
D782,241 S * 3/2017 Welsh D6/716.4
D782,859 S * 4/2017 Welsh D6/716.4
9,913,539 B2 * 3/2018 Potrykus A47C 7/40

* cited by examiner

Primary Examiner — Mimoso De

(74) *Attorney, Agent, or Firm* — Michael Best &
Friedrich LLP

(57) **CLAIM**

We claim the ornamental design for a chair, as shown and described.

DESCRIPTION

FIG. 1 is a perspective view of a chair embodying the invention.

FIG. 2 is a front view of the chair of FIG. 1.

FIG. 3 is a back view of the chair of FIG. 1.

FIG. 4 is a first side view of the chair of FIG. 1.

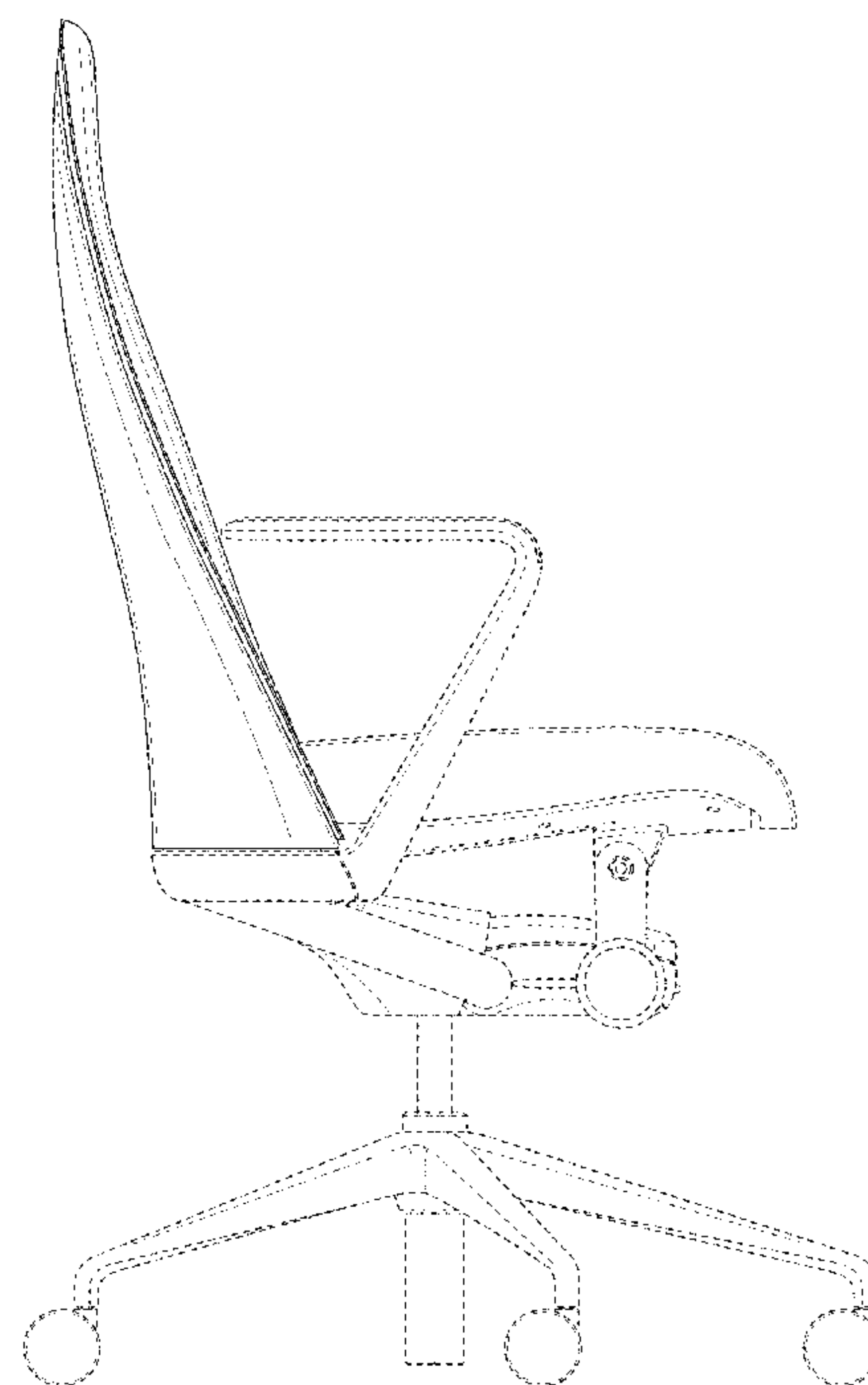
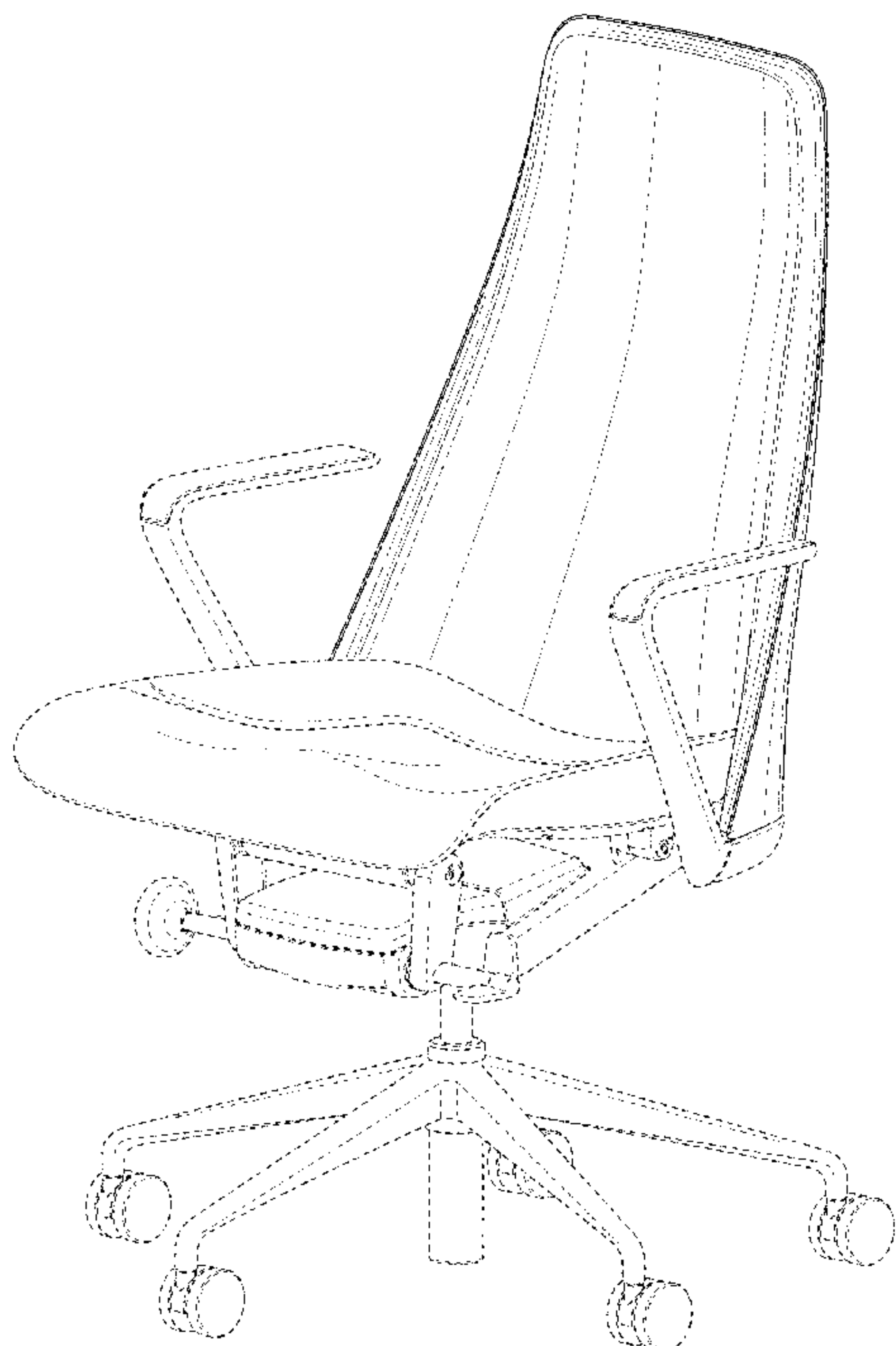
FIG. 5 is a second side view of the chair of FIG. 1.

FIG. 6 is a top view of the chair of FIG. 1; and,

FIG. 7 is a bottom view of the chair of FIG. 1.

Portions of the chair shown in broken lines are for illustrative purposes only and form no part of the claimed design.

1 Claim, 7 Drawing Sheets



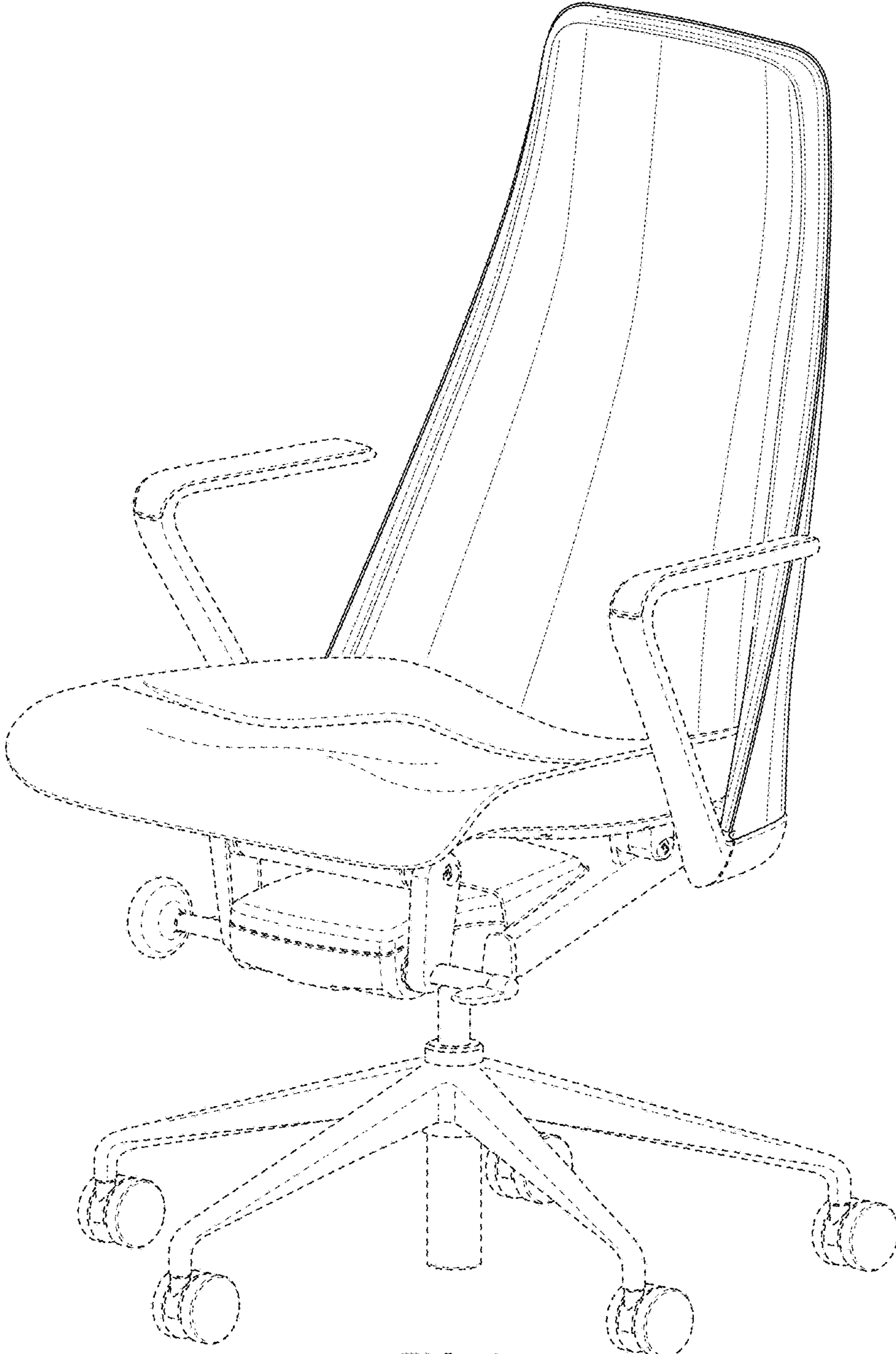


FIG. 1

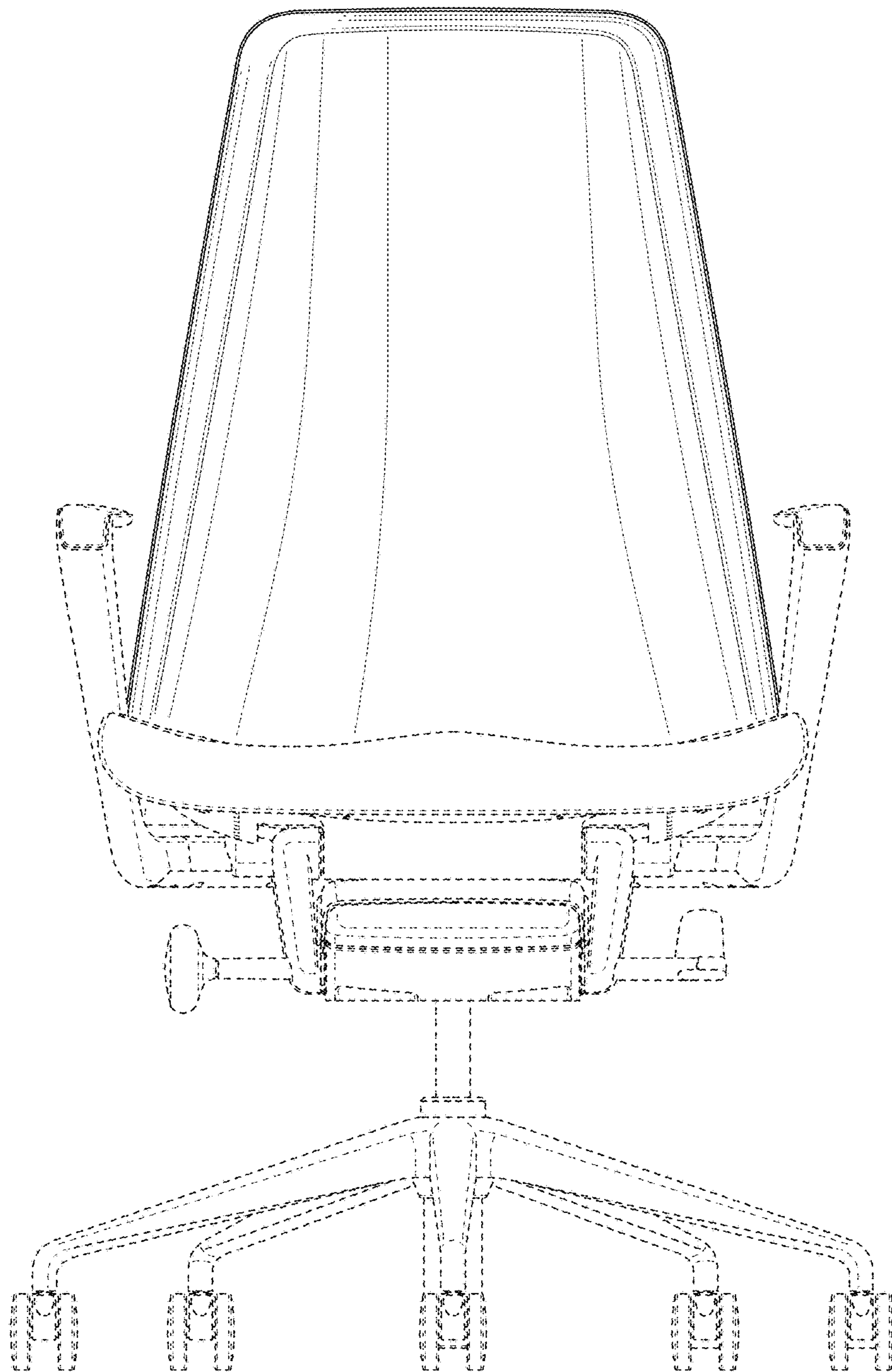


FIG. 2

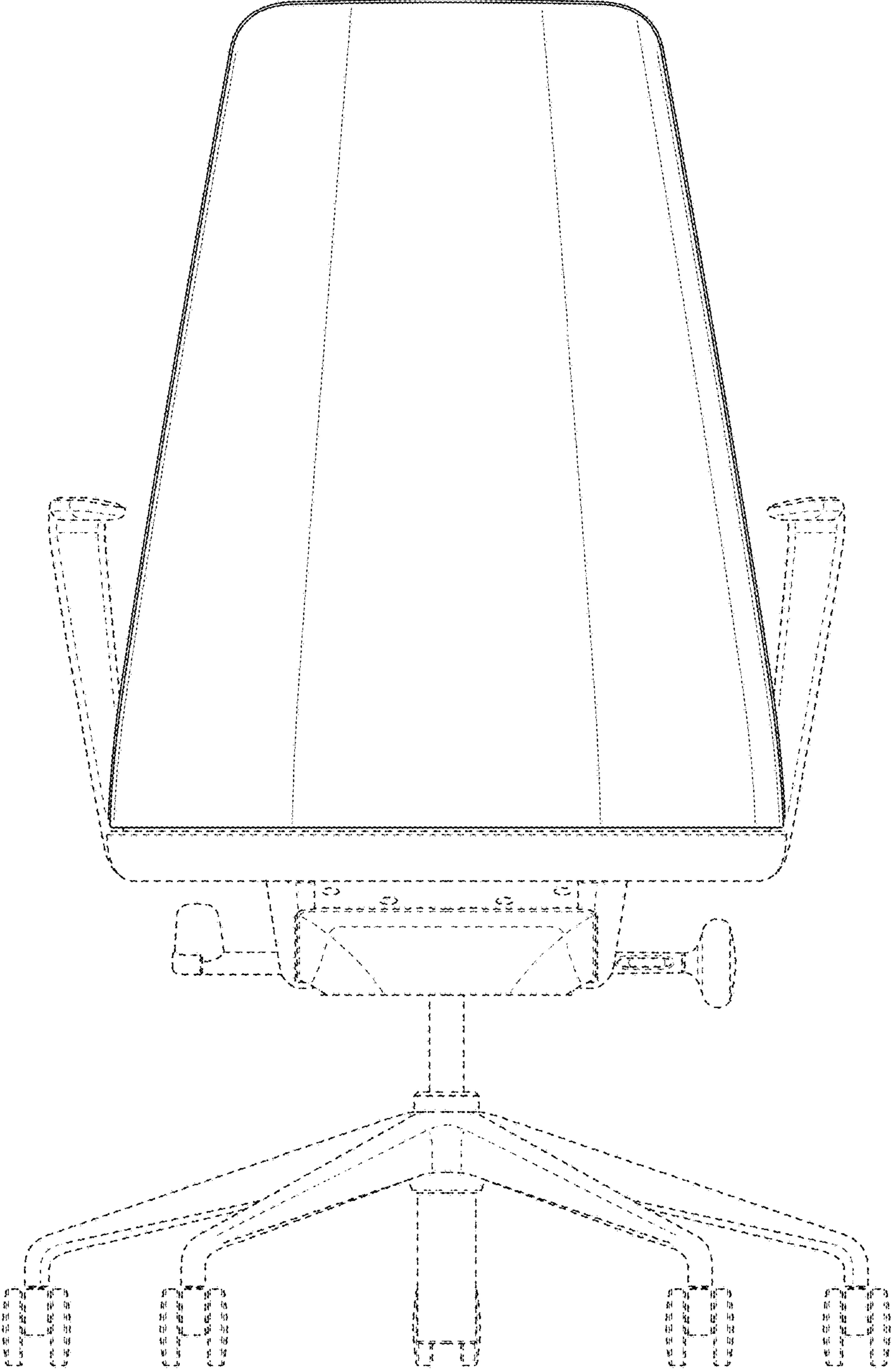


FIG. 3

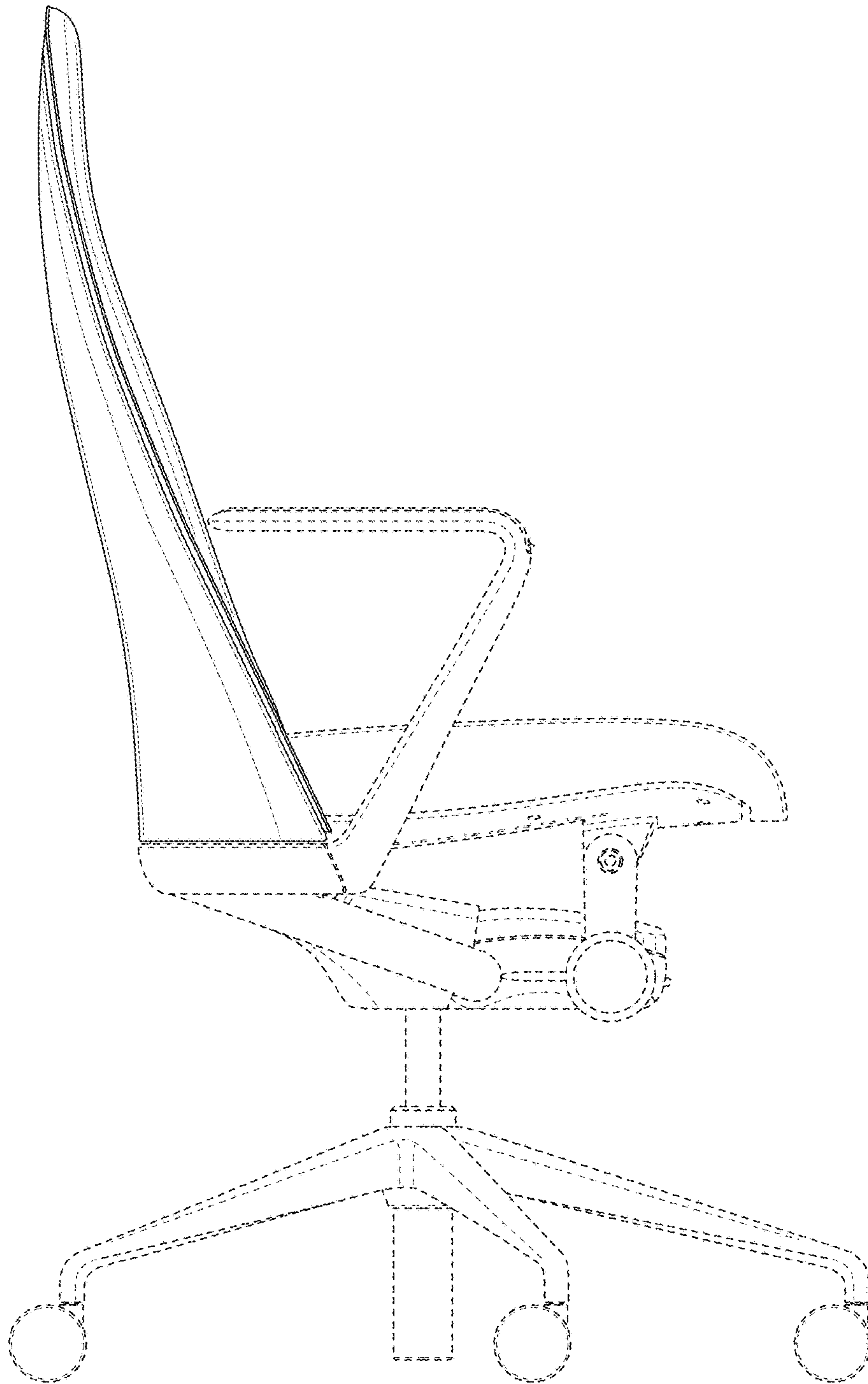


FIG. 4

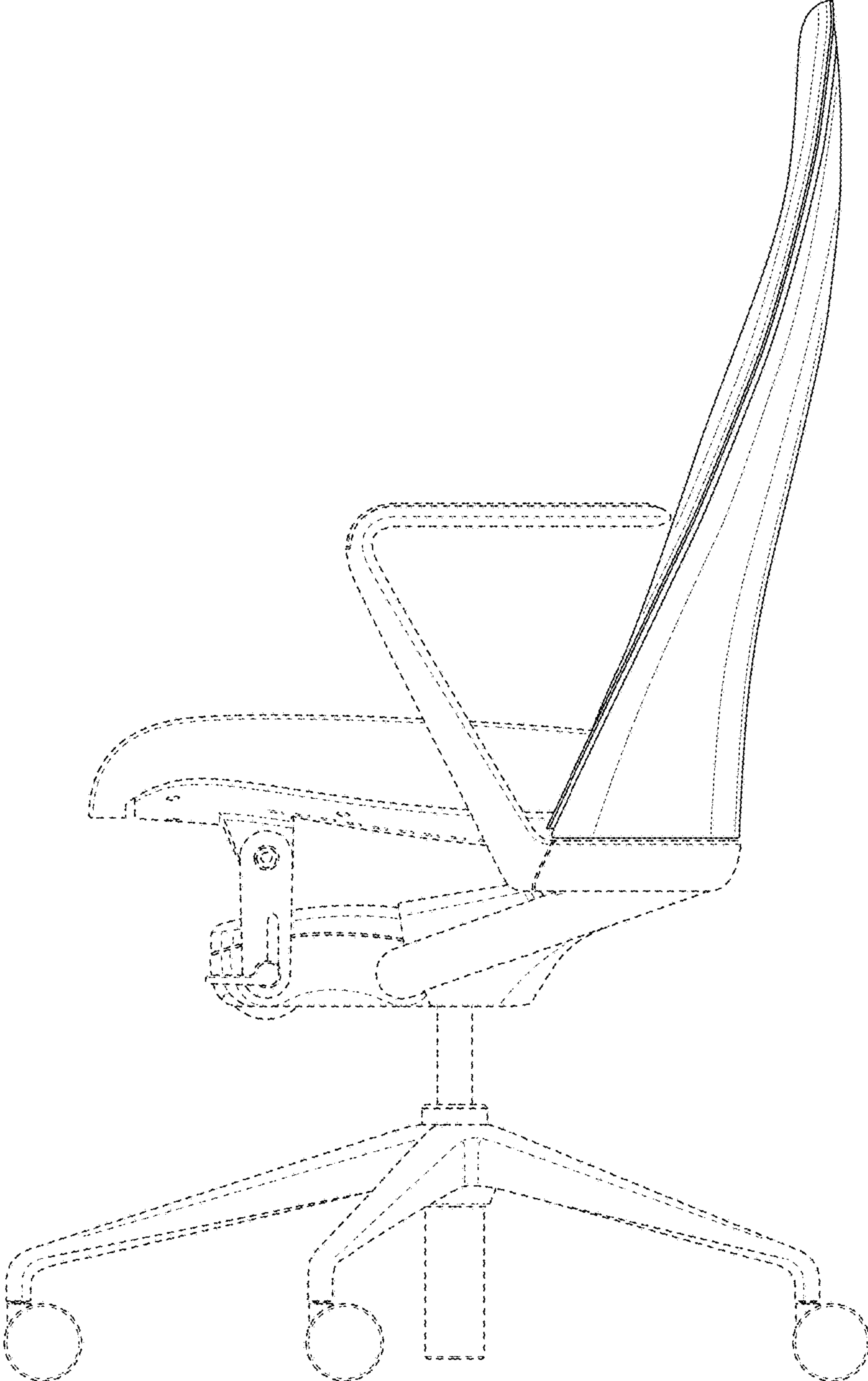


FIG. 5

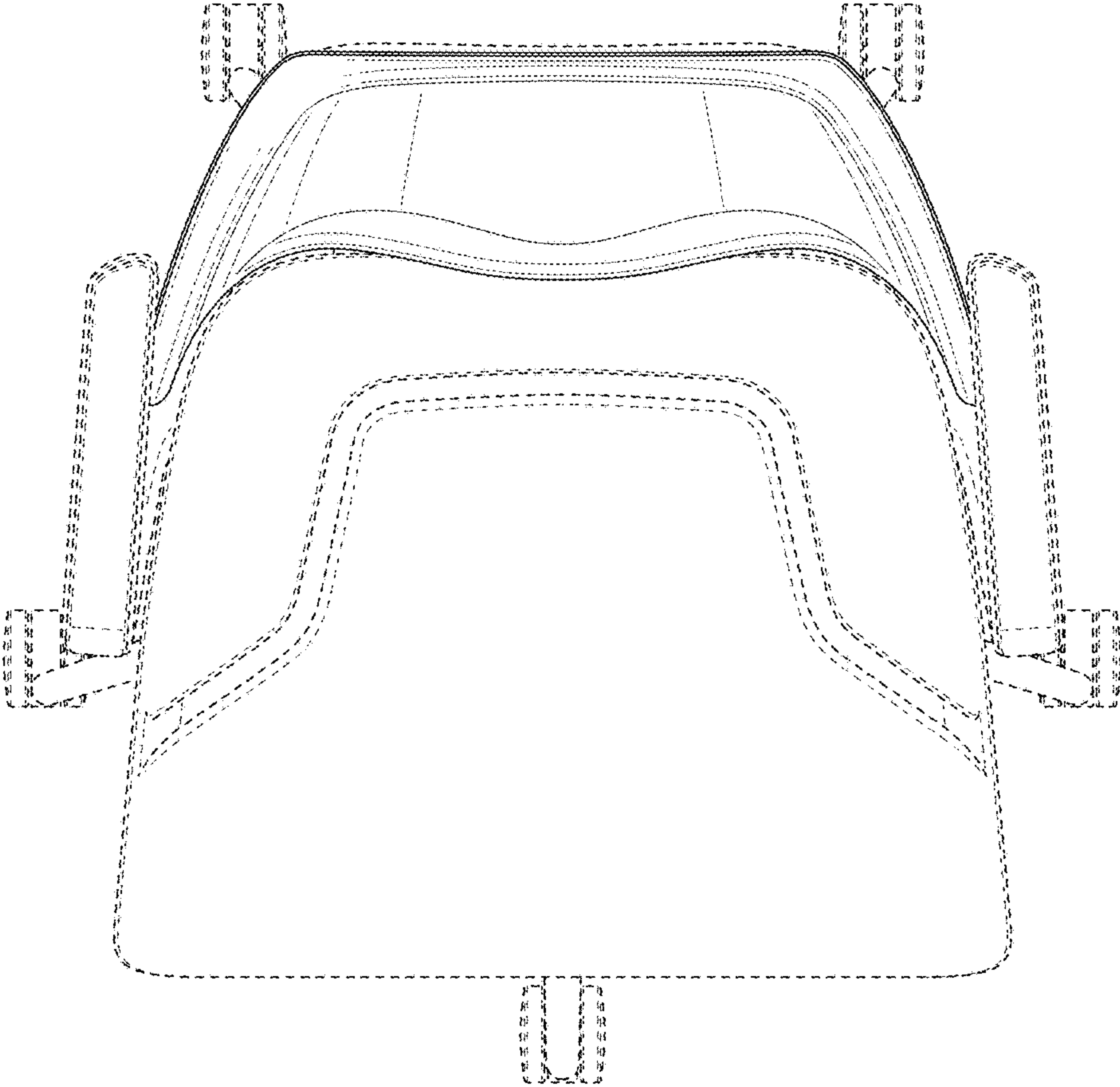


FIG. 6

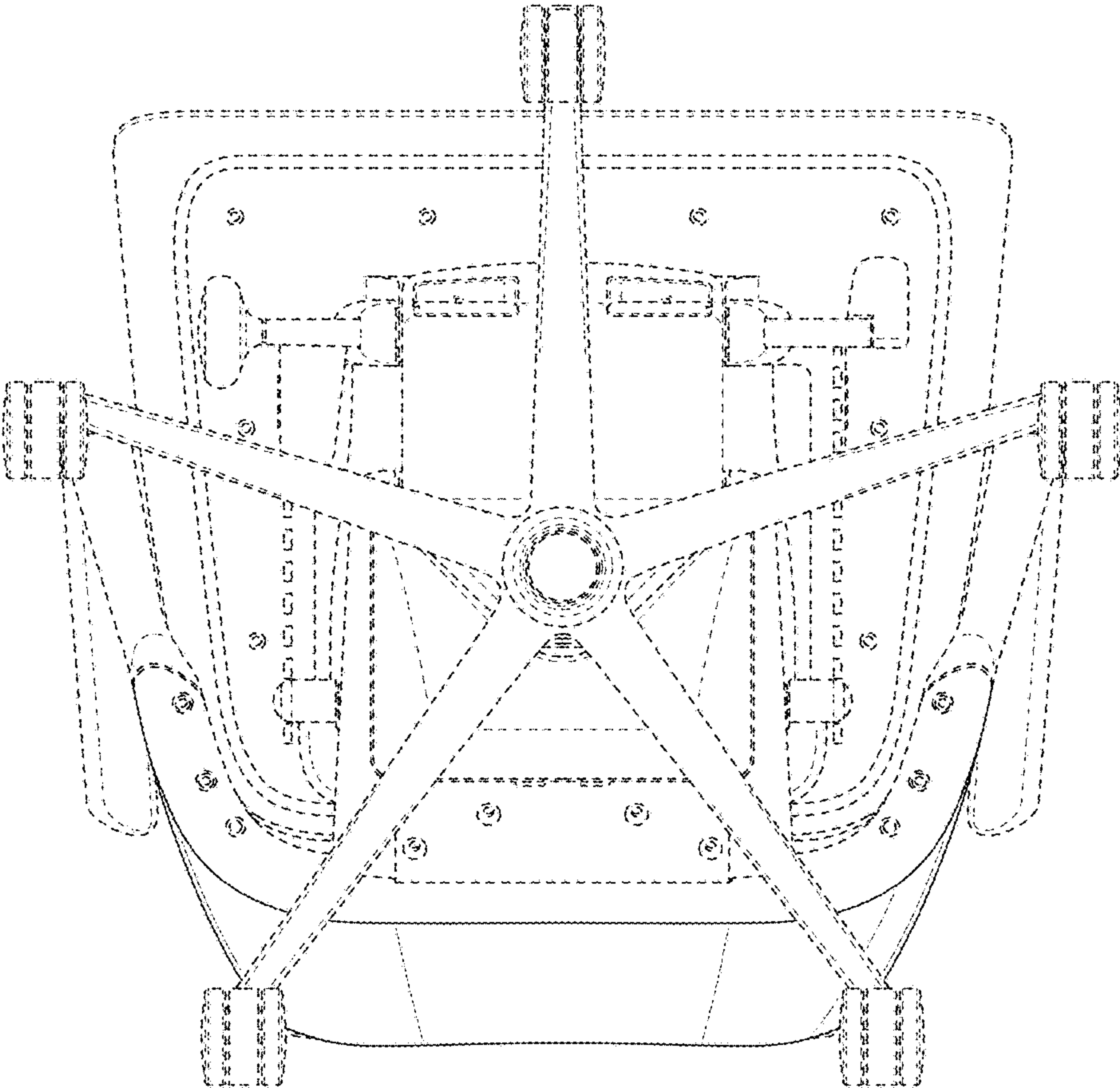


FIG. 7