



US00D860702S

(12) **United States Design Patent** (10) **Patent No.:** **US D860,702 S**
Lievore et al. (45) **Date of Patent:** **** Sep. 24, 2019**

(54) **CHAIR SEAT**
(71) Applicant: **FAST S.P.A.**, Vestone, Brescia (IT)
(72) Inventors: **Alberto Lievore**, Barcelona (ES);
Jeannette Altherr, Barcelona (ES)
(73) Assignee: **FAST S.p.A.**, Vestone (IT)
(**) Term: **15 Years**
(21) Appl. No.: **35/504,328**
(22) Filed: **Sep. 5, 2017**

D448,189 S * 9/2001 Jahn D6/368
D558,479 S * 1/2008 Lievore D6/375
D649,794 S * 12/2011 Lievore D6/361
D649,804 S * 12/2011 Keller D6/374
D697,350 S * 1/2014 Skalka D6/716.1
D707,052 S * 6/2014 Radice D6/375
D707,053 S * 6/2014 Radice D6/375
D735,513 S * 8/2015 Chan D6/716.1
D771,424 S * 11/2016 Cantarutti D6/716
D779,252 S * 2/2017 Welsh D6/716.4
D814,822 S * 4/2018 Tran D6/380
D815,868 S * 4/2018 Romero D6/716
D827,352 S * 9/2018 Peterson D6/716.4
2005/0012371 A1 * 1/2005 Mendenhall A47C 1/124
297/248

(80) **Hague Agreement Data**
Int. Filing Date: **Sep. 5, 2017**
Int. Reg. No.: **DM/099174**
Int. Reg. Date: **Sep. 5, 2017**
Int. Reg. Pub. Date: **Jan. 19, 2018**

* cited by examiner

Primary Examiner — Mary Ann Calabrese
Assistant Examiner — Jennifer L Rempfer
(74) *Attorney, Agent, or Firm* — Thomas|Horstemeyer,
LLP

(30) **Foreign Application Priority Data**
Mar. 10, 2017 (WO) DM/095499
(51) **LOC (12) Cl.** **06-06**
(52) **U.S. Cl.**
USPC **D6/716**
(58) **Field of Classification Search**
USPC D6/334, 356, 366, 369-375, 716, 716.1,
D6/716.2, 716.4
CPC A47C 1/14; A47C 3/16; A47C 4/02; A47C
4/03; A47C 5/12; A47C 7/00; A47C 7/02;
A47C 7/021; A47C 7/022; A47C 7/16;
A47C 7/40
See application file for complete search history.

(57) **CLAIM**

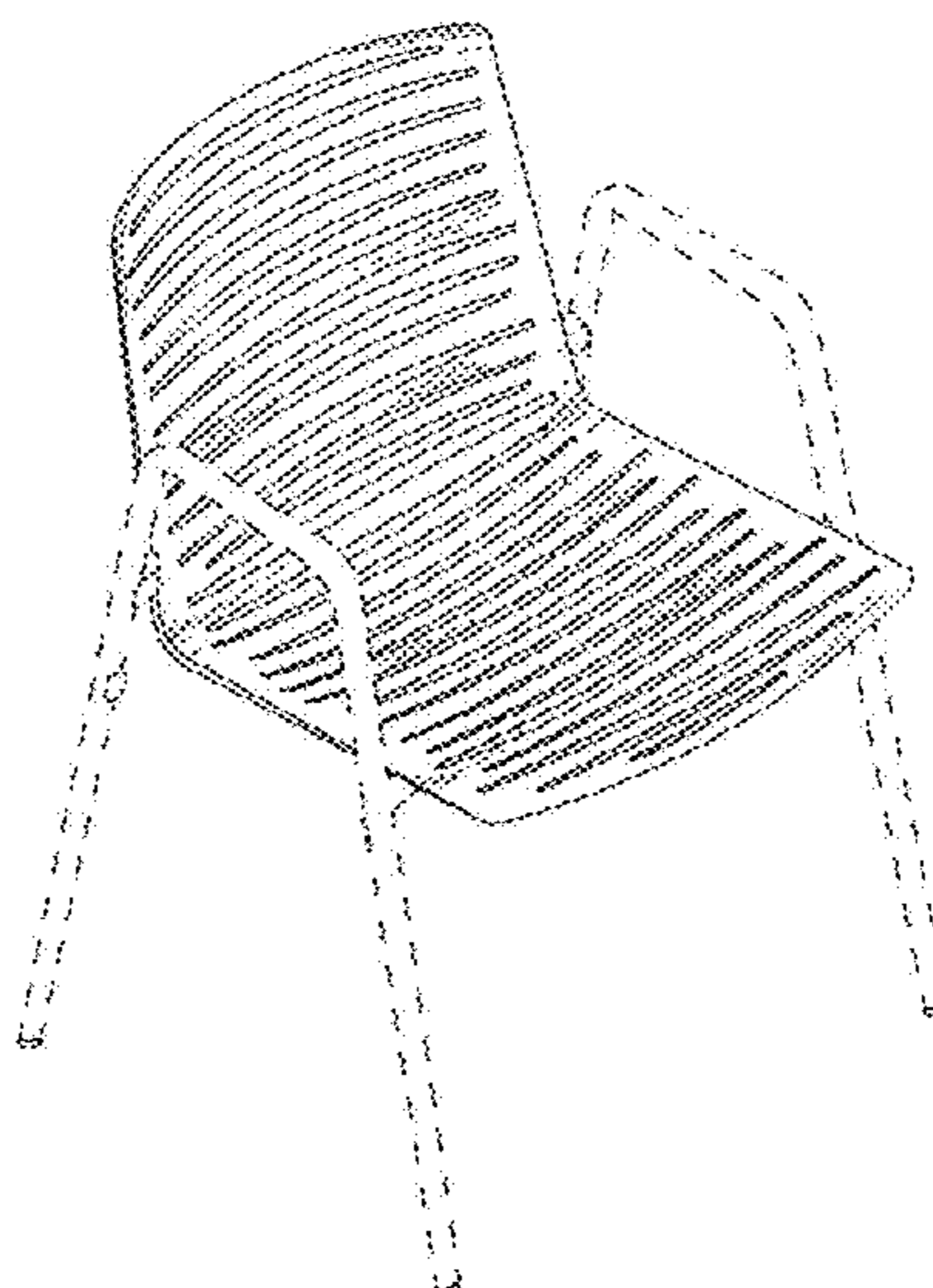
The ornamental design for a chair seat, as shown and described.

(56) **References Cited**
U.S. PATENT DOCUMENTS
D342,404 S * 12/1993 Homann D6/716
D427,819 S * 7/2000 Noll D6/716.1

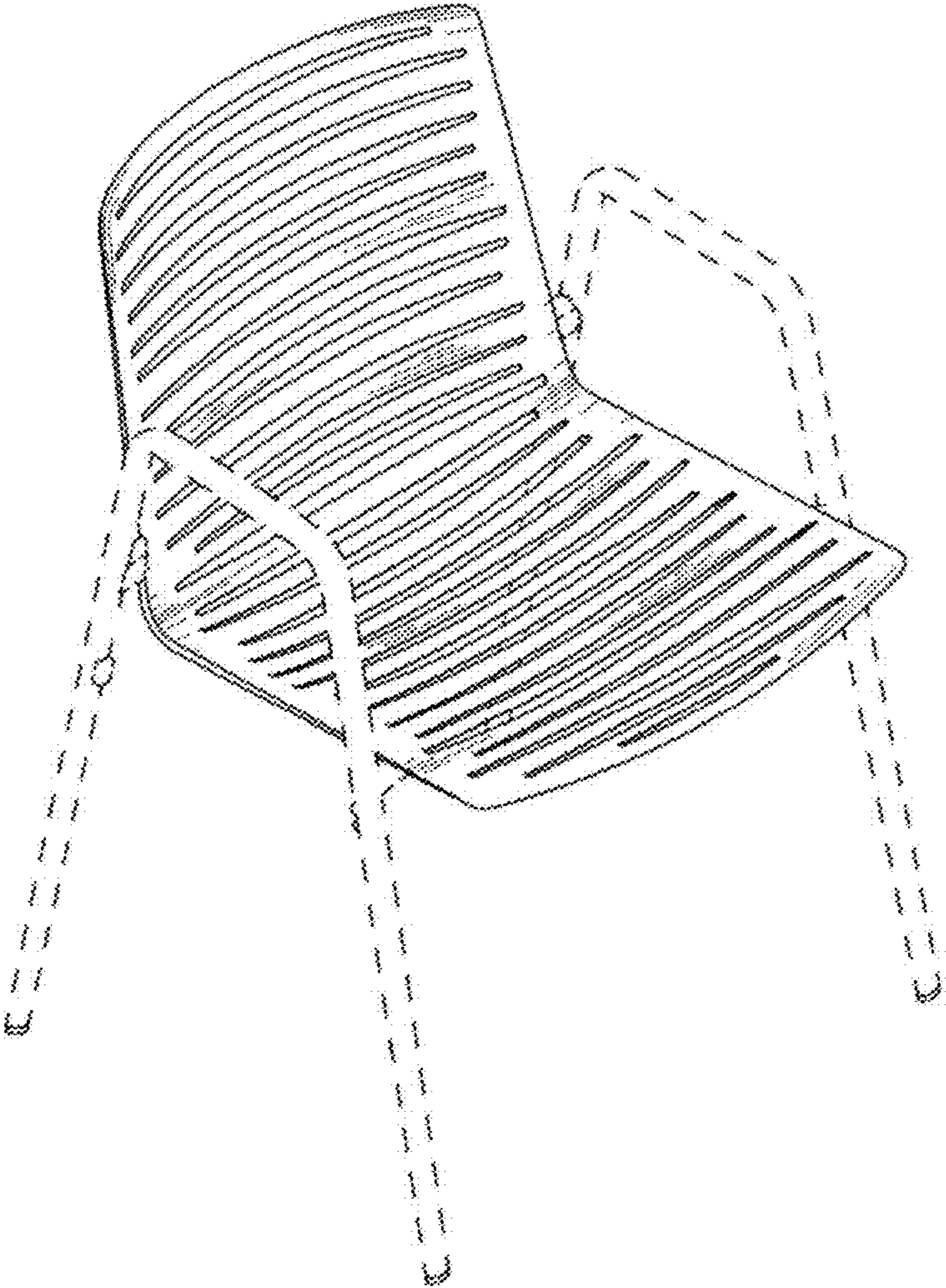
DESCRIPTION

1.1 is a front perspective view of a chair seat, showing our new design;
1.2 is a side view thereof;
1.3 is a side view thereof, from a side opposite that of **1.2**;
1.4 is a front view thereof; and
1.5 is a top view thereof.
The broken lines are shown for the purpose of illustrating the environment of the chair seat and form no part of the claimed design.

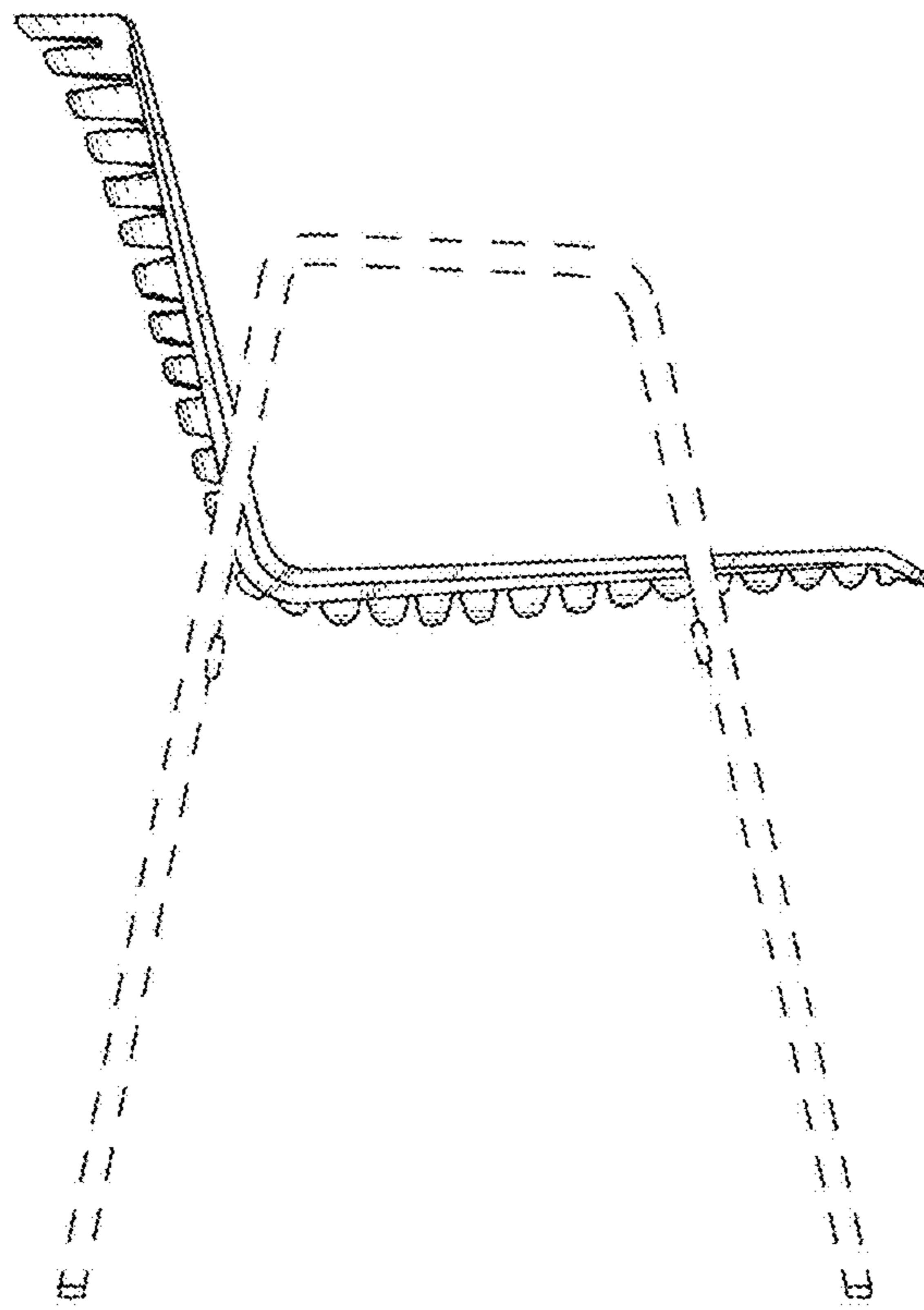
1 Claim, 5 Drawing Sheets



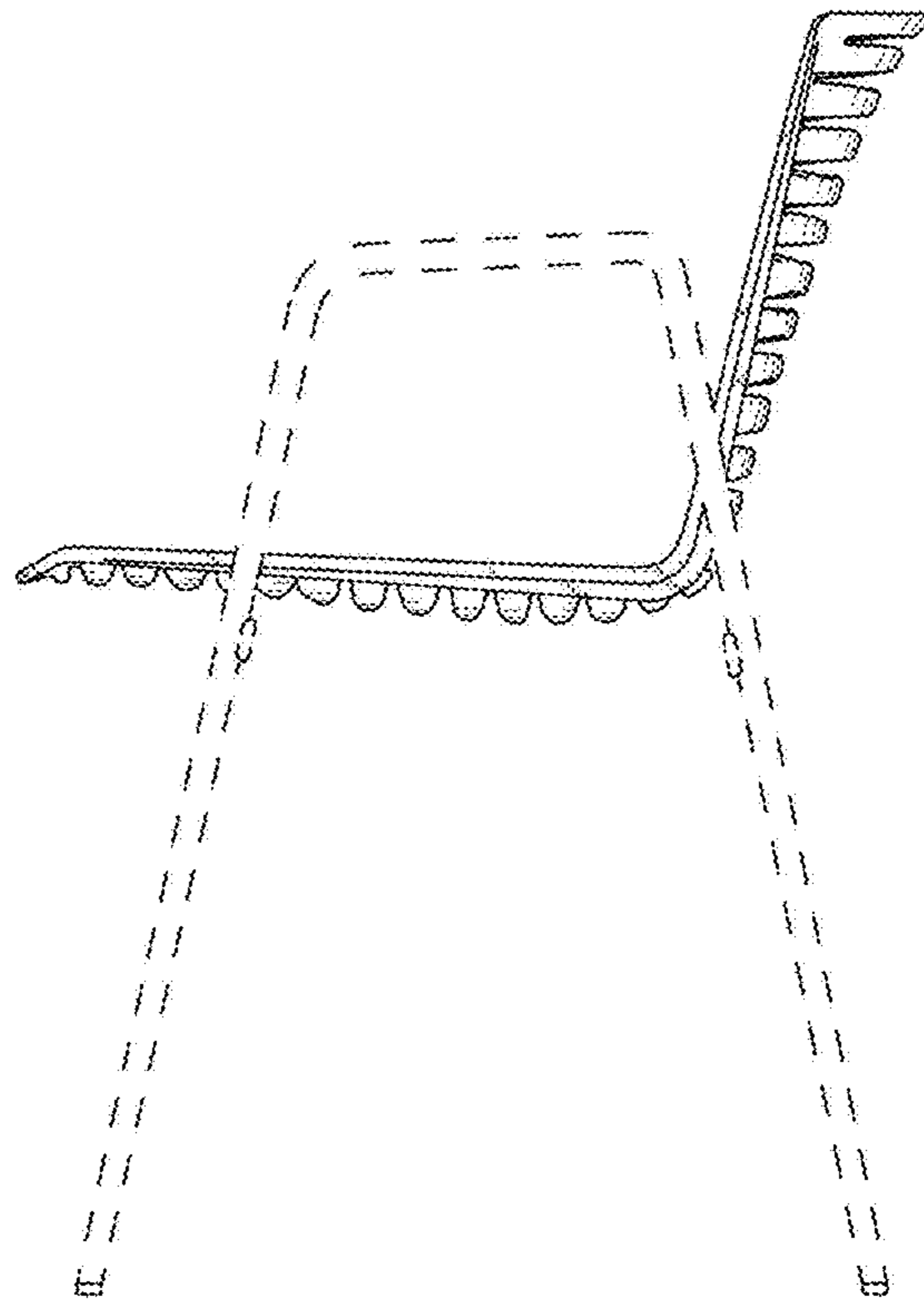
1.1



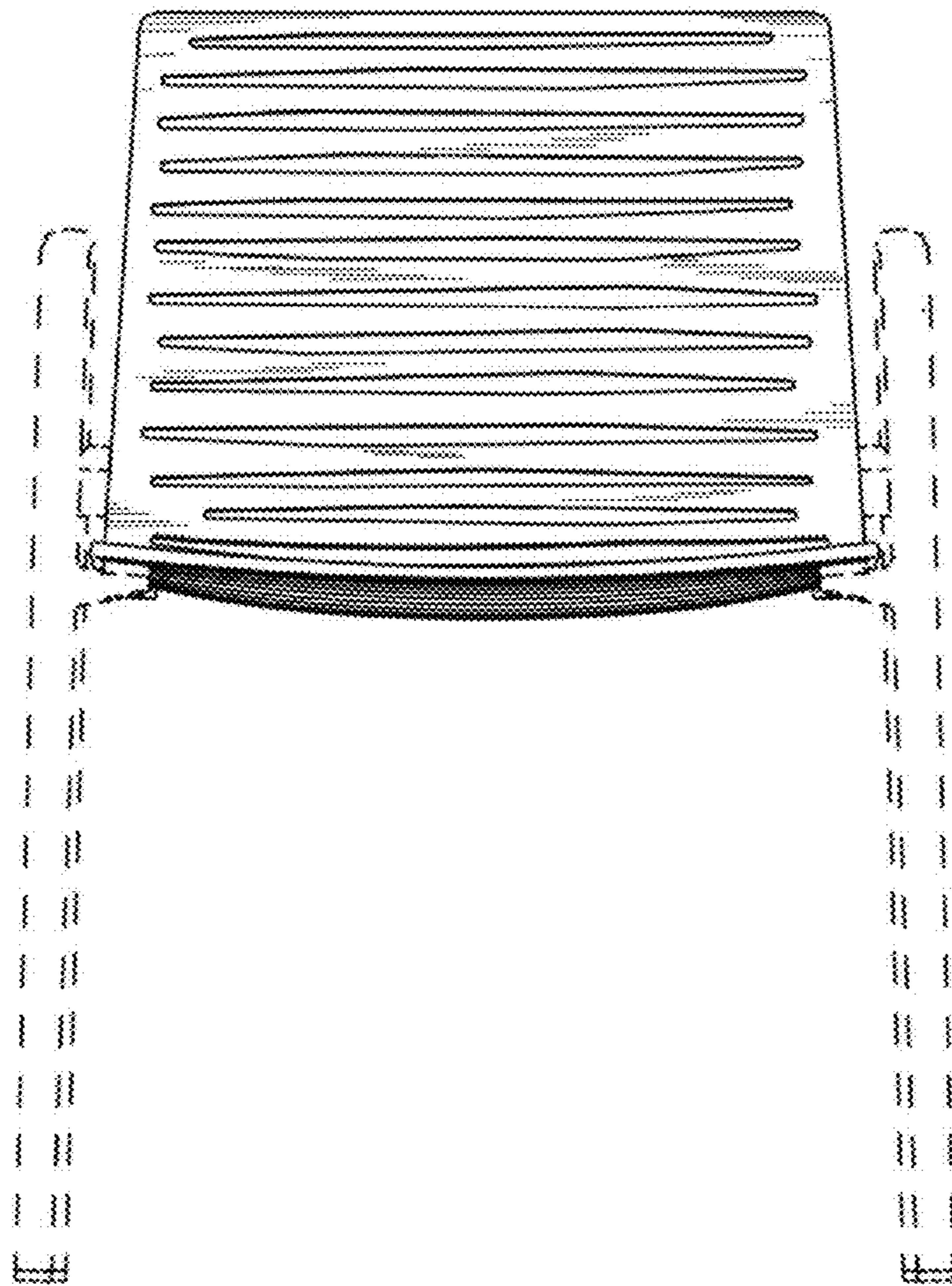
1.2



1.3



1.4



1.5

