



US00D860700S

(12) **United States Design Patent**
Juge et al.

(10) **Patent No.:** **US D860,700 S**

(45) **Date of Patent:** **** Sep. 24, 2019**

(54) **TABLE LEG**

(71) Applicants: **Anne Juge**, Metairie, LA (US); **Wesley deBuysser**, Metairie, LA (US); **Charles Jones**, New Orleans, LA (US)

(72) Inventors: **Anne Juge**, Metairie, LA (US); **Wesley deBuysser**, Metairie, LA (US); **Charles Jones**, New Orleans, LA (US)

(**) Term: **15 Years**

(21) Appl. No.: **29/622,117**

(22) Filed: **Oct. 13, 2017**

Related U.S. Application Data

(62) Division of application No. 29/506,417, filed on Oct. 15, 2014, now Pat. No. Des. 807,088.

(51) **LOC (12) Cl.** **06-06**

(52) **U.S. Cl.**
USPC **D6/709**

(58) **Field of Classification Search**
USPC D6/641, 642, 643, 648, 686, 689, 691.2, D6/692, 700, 709
CPC .. A47B 7/00; A47B 13/00; A47B 9/14; A47B 2021/0335; A47B 21/045; A47B 3/00; A47B 5/00; A47B 5/02; A47B 5/06
See application file for complete search history.

(56) **References Cited**

U.S. PATENT DOCUMENTS

1,017,062 A * 2/1912 Pfefferkorn A47B 1/08 108/83
D242,681 S * 12/1976 Thomas D6/691

D271,923 S * 12/1983 Thompson D6/691.1
4,878,439 A * 11/1989 Samson A47B 1/08 108/83
D312,177 S * 11/1990 Walter D6/332
D346,713 S * 5/1994 Ferguson D6/688.14
D415,369 S * 10/1999 Laney D6/686
6,363,866 B1 * 4/2002 Schwartz A47B 13/10 108/64
D552,384 S * 10/2007 Thompson D6/708.17
D580,683 S * 11/2008 Thull D6/691.4
D713,185 S * 9/2014 Litt D6/691.5
D732,316 S * 6/2015 Matthai D6/656.16
D807,088 S * 1/2018 Juge D6/708.17

* cited by examiner

Primary Examiner — Kendra Leslie Hamilton
(74) *Attorney, Agent, or Firm* — Garvey, Smith & Nehrbass, Patent Attorneys, L.L.C.; Seth M. Nehrbass; Julie R. Chauvin

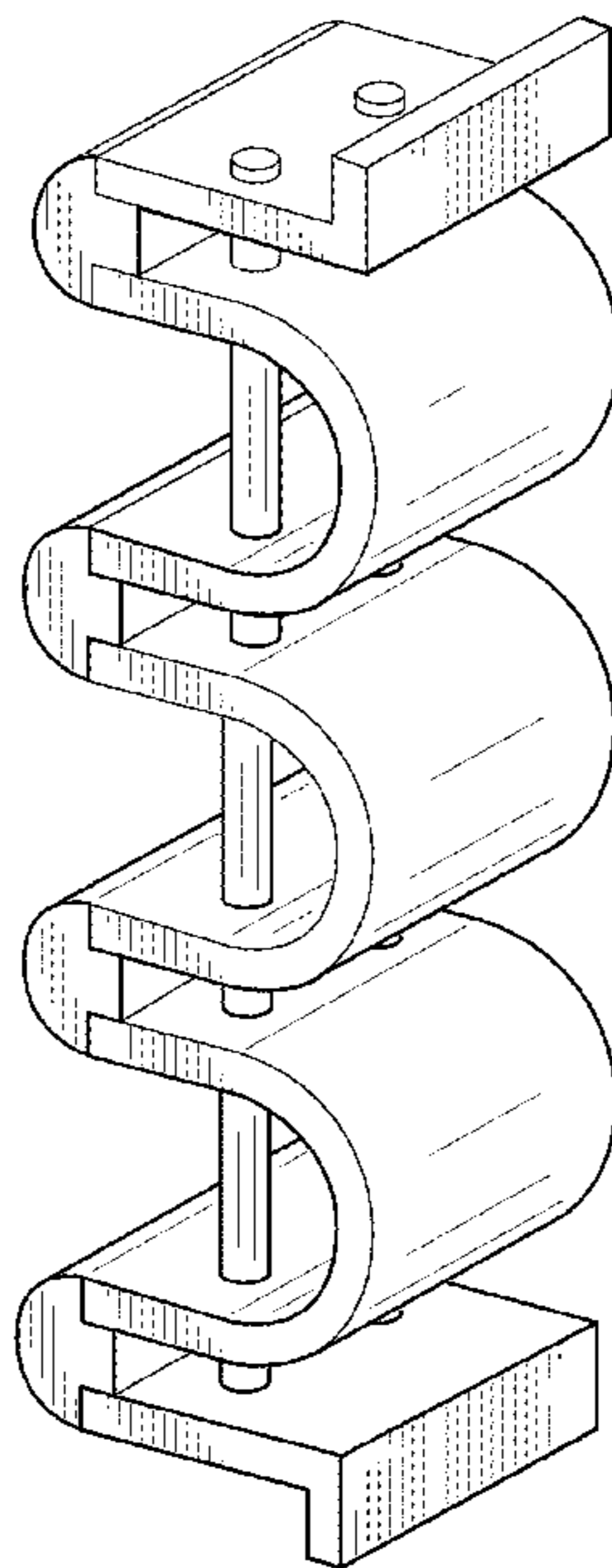
(57) **CLAIM**

The ornamental table leg, as shown and described.

DESCRIPTION

FIG. 1 is a front perspective view, showing our ornamental design of a table leg;
FIG. 2 is a front view thereof;
FIG. 3 is a rear view thereof;
FIG. 4 is a right side thereof;
FIG. 5 is a left side view thereof;
FIG. 6 is a top view thereof; and,
FIG. 7 is a bottom view thereof.

1 Claim, 7 Drawing Sheets



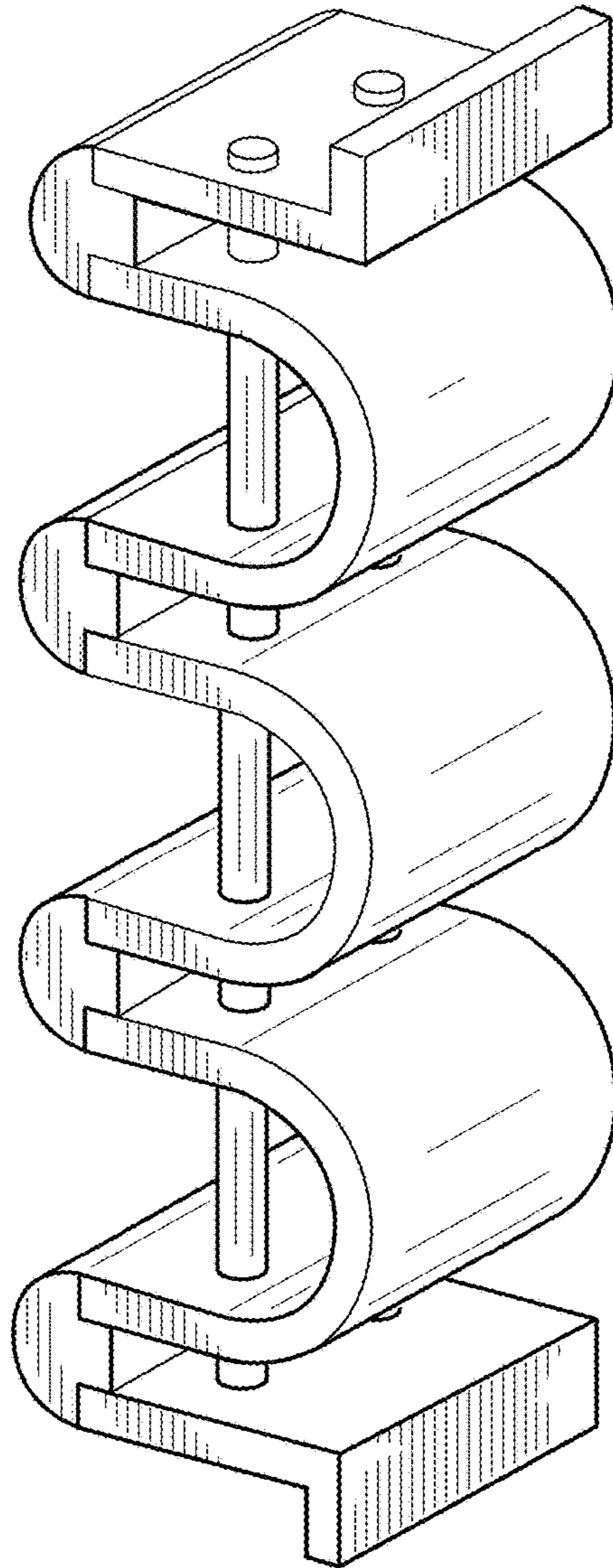


FIG. 1

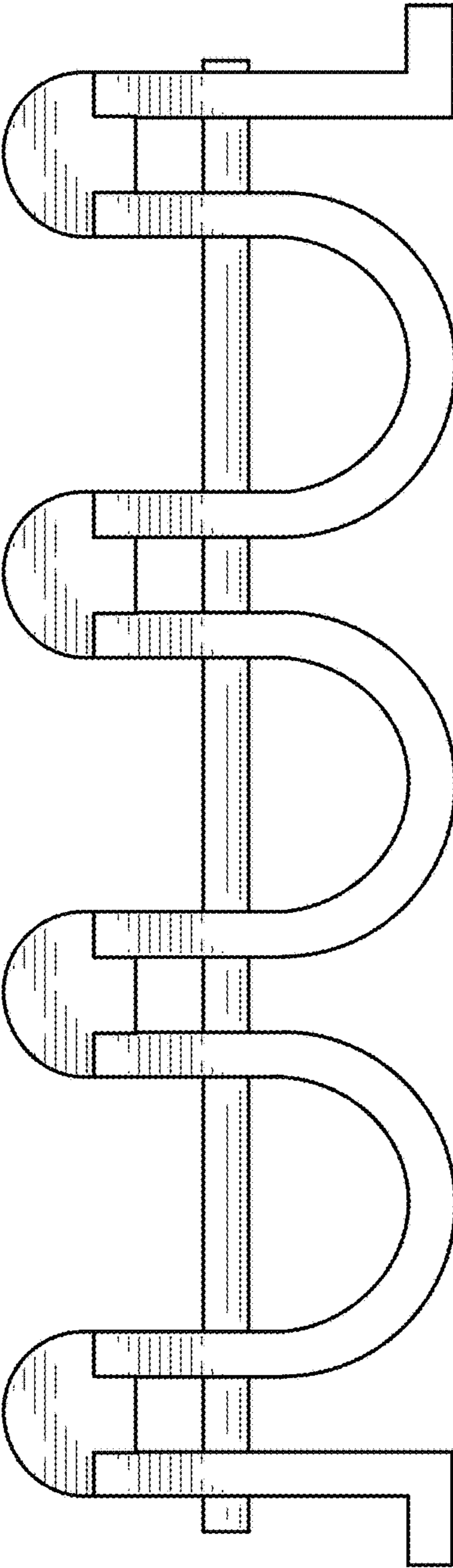


FIG. 2

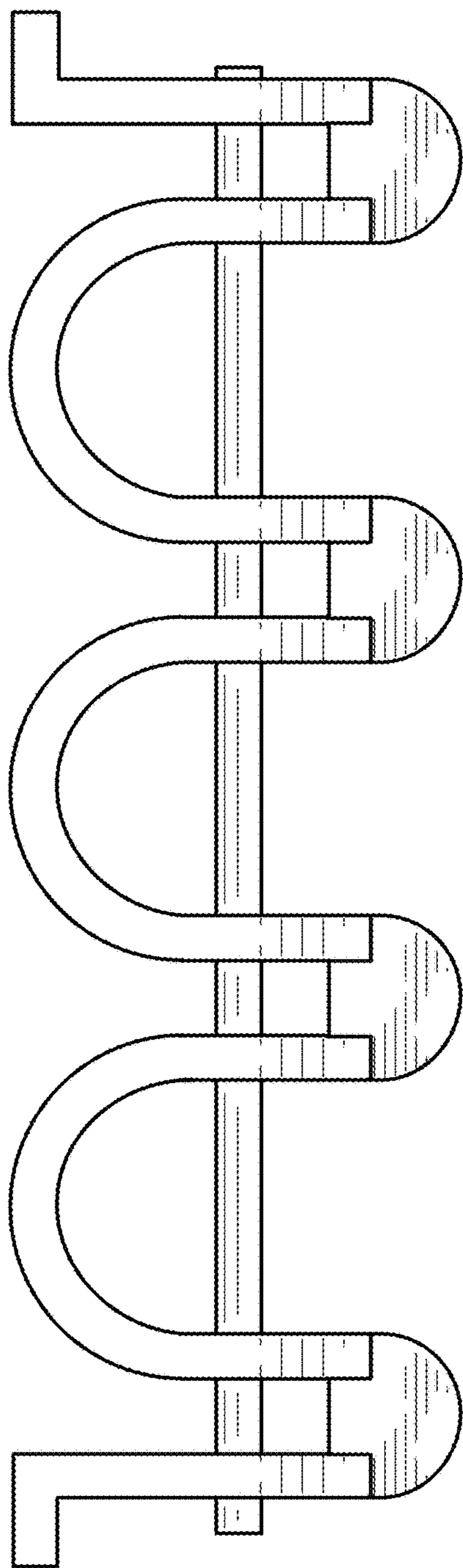


FIG. 3

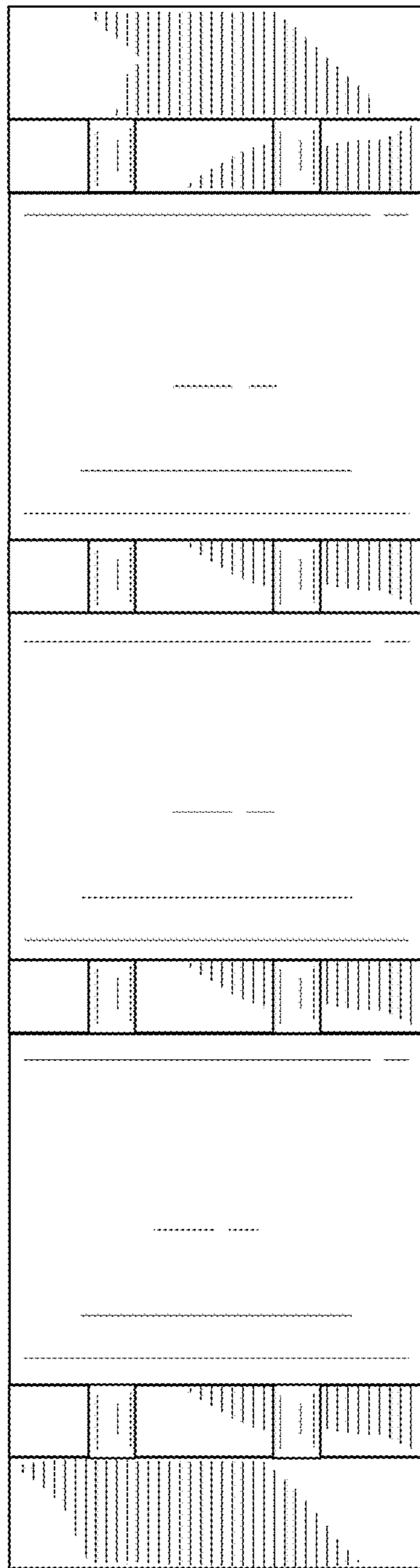


FIG. 4

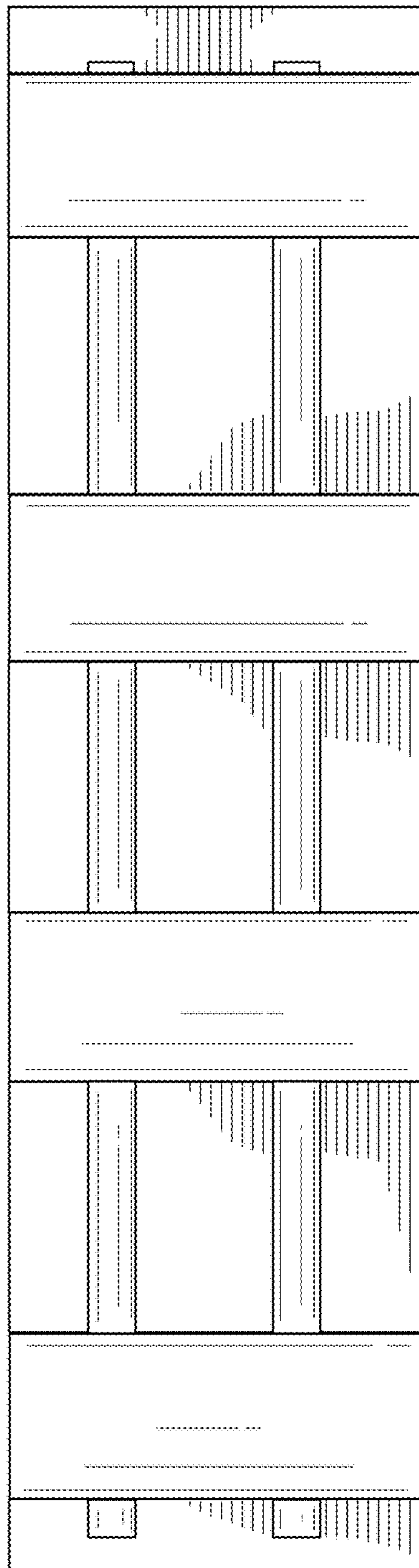


FIG. 5

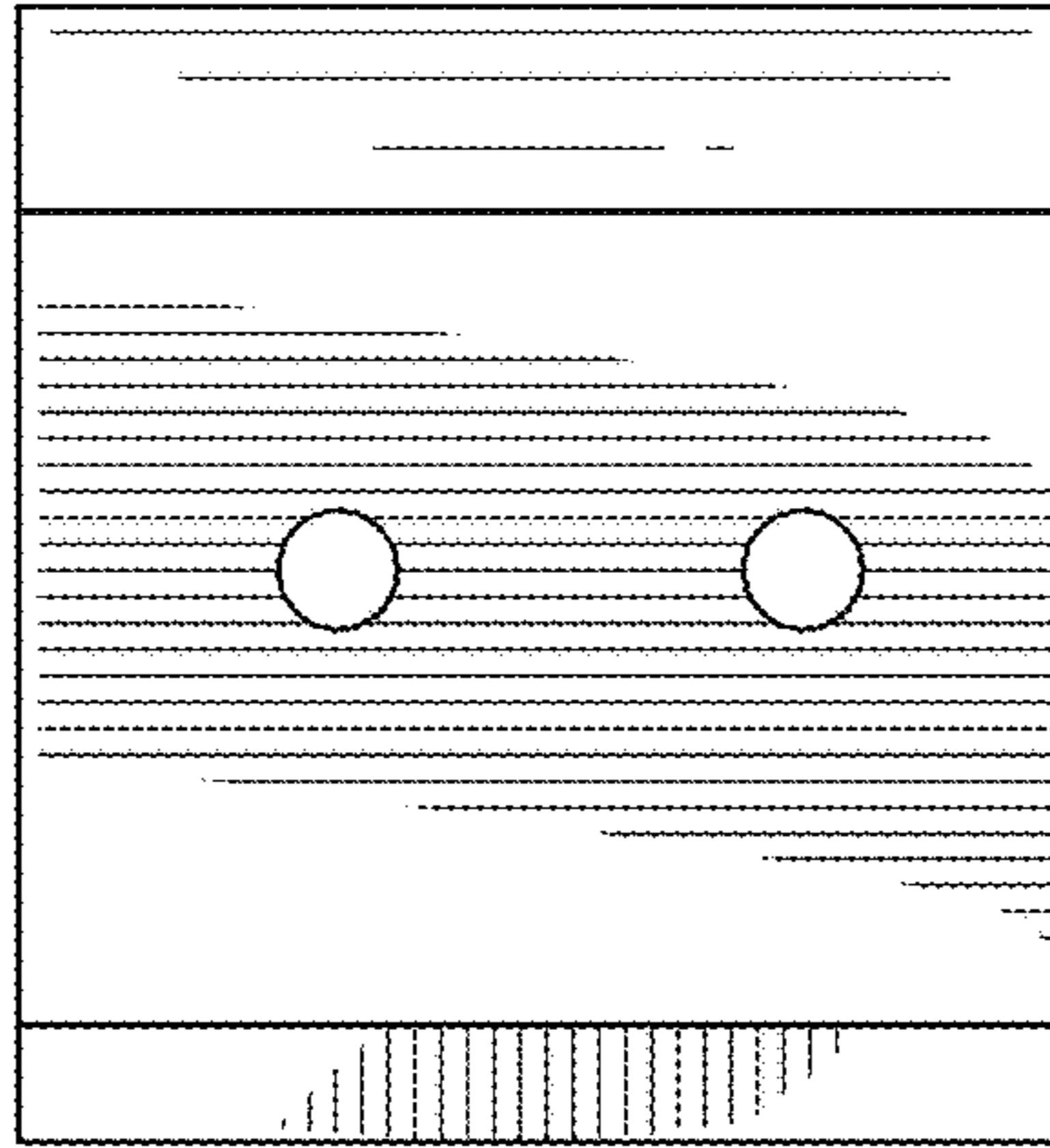


FIG. 6

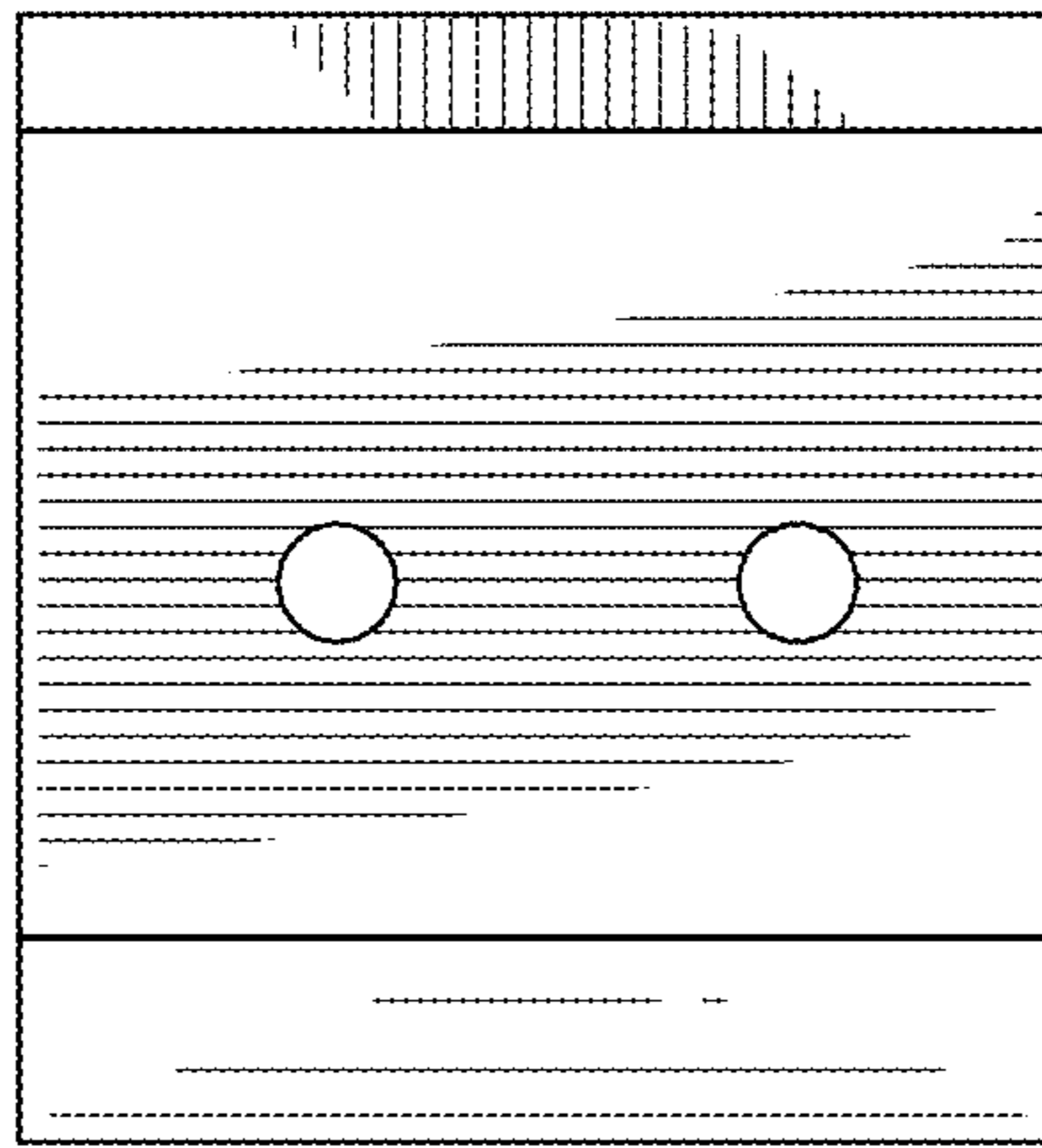


FIG. 7