



US00D860697S

(12) **United States Design Patent** (10) **Patent No.:** **US D860,697 S**  
**Ke** (45) **Date of Patent:** **\*\* Sep. 24, 2019**

(54) **TABLE**  
(71) Applicant: **Fuzhou Youda Clothing Co., Ltd.**,  
Fuzhou (CN)  
(72) Inventor: **Jinchun Ke**, Changle (CN)  
(\*\*) Term: **15 Years**  
(21) Appl. No.: **29/610,309**  
(22) Filed: **Jul. 11, 2017**  
(51) **LOC (12) Cl.** ..... **06-03**  
(52) **U.S. Cl.**  
USPC ..... **D6/691.9**  
(58) **Field of Classification Search**  
USPC ..... D6/642, 655, 657, 663, 684–686, 691,  
D6/691.1–691.9  
CPC ..... A47B 7/00; A47B 13/00; A47B 13/02;  
A47B 13/04; A47B 13/08; A47B 21/00;  
A47B 75/00; A47B 2200/0001; A47B  
2200/0006; A47B 2200/0011; A47B  
2200/002  
See application file for complete search history.

D255,853 S \* 7/1980 Tome ..... D6/657  
D538,061 S \* 3/2007 Daniel ..... D6/691.9  
D815,465 S \* 4/2018 Hannoosh ..... D6/657  
2016/0037918 A1\* 2/2016 Greer ..... A47B 31/00  
312/283

\* cited by examiner

*Primary Examiner* — Mary Ann Calabrese  
(74) *Attorney, Agent, or Firm* — KA Filing LLC; Wayne  
V. Harper

(57) **CLAIM**

The ornamental design for a table, as shown and described.

**DESCRIPTION**

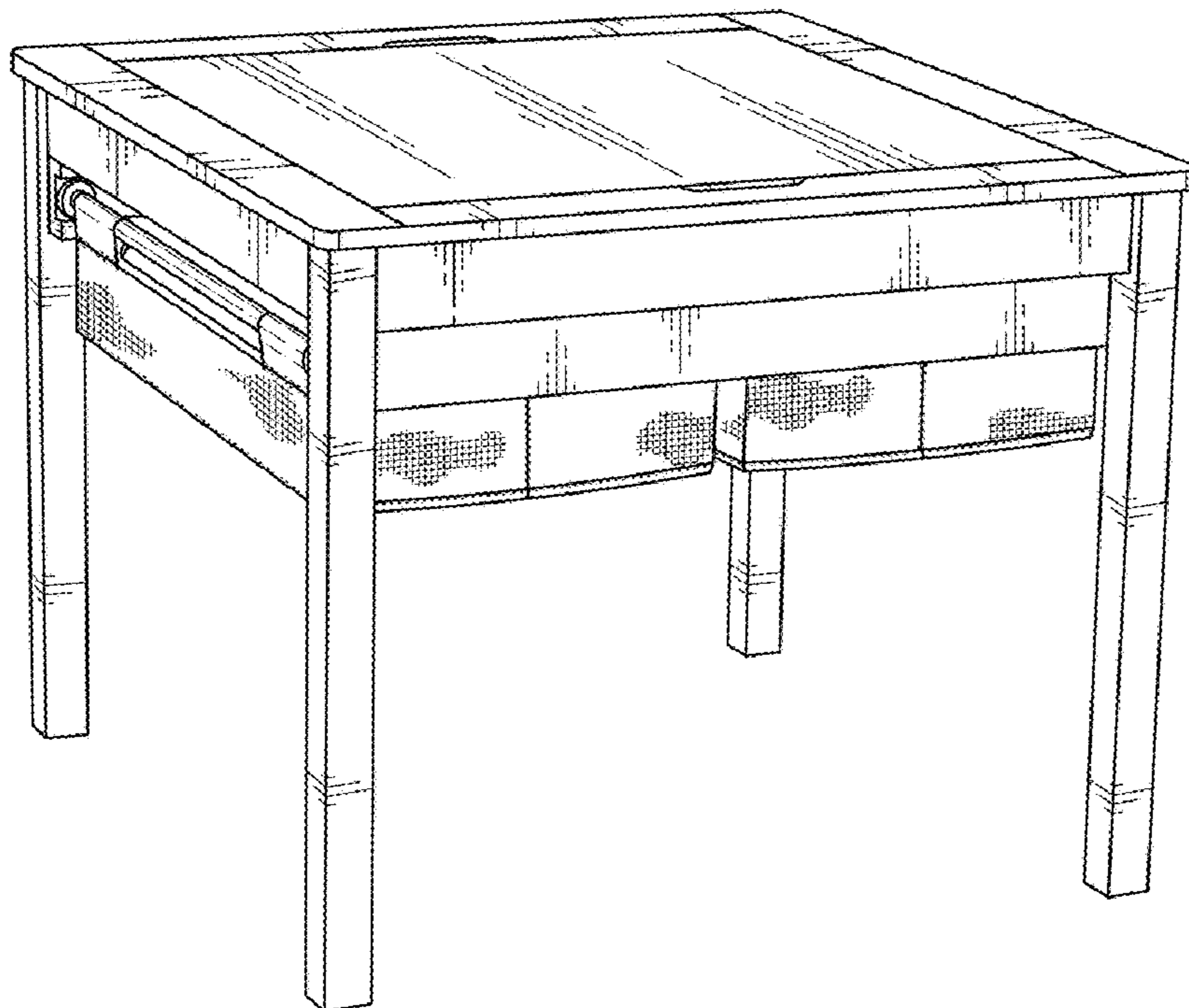
FIG. 1 is a top view of a table showing my new design in accordance with an embodiment;  
FIG. 2 is a left side view of the table of FIG. 1;  
FIG. 3 is a right side view of the table;  
FIG. 4 is a front view of the table;  
FIG. 5 is a back view of the table; and,  
FIG. 6 is a top perspective view of the table.

(56) **References Cited**

**U.S. PATENT DOCUMENTS**

D124,567 S \* 1/1941 Teague et al. .... D6/642  
D237,337 S \* 10/1975 Peets ..... D6/655.18

**1 Claim, 6 Drawing Sheets**



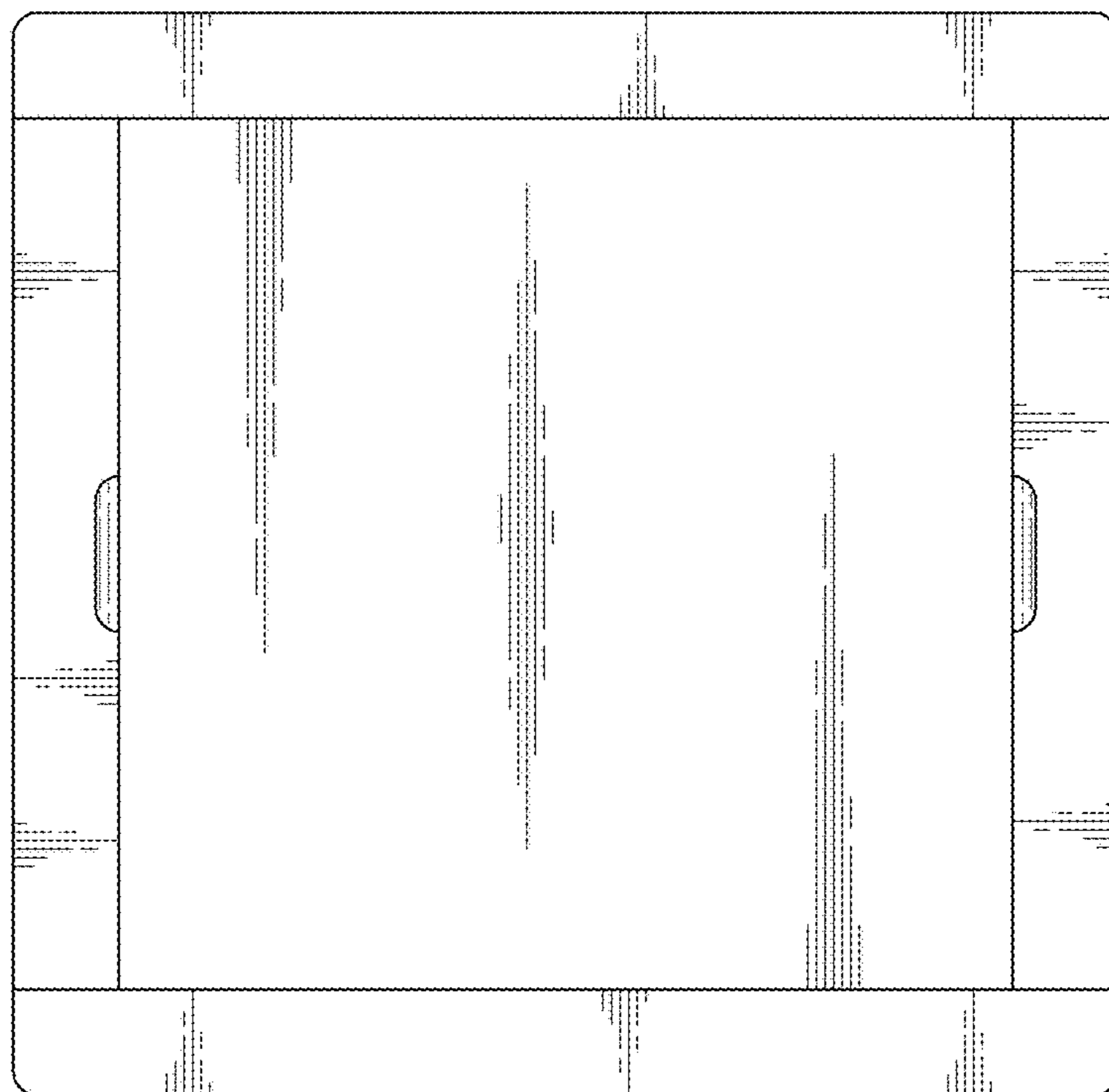


FIG. 1

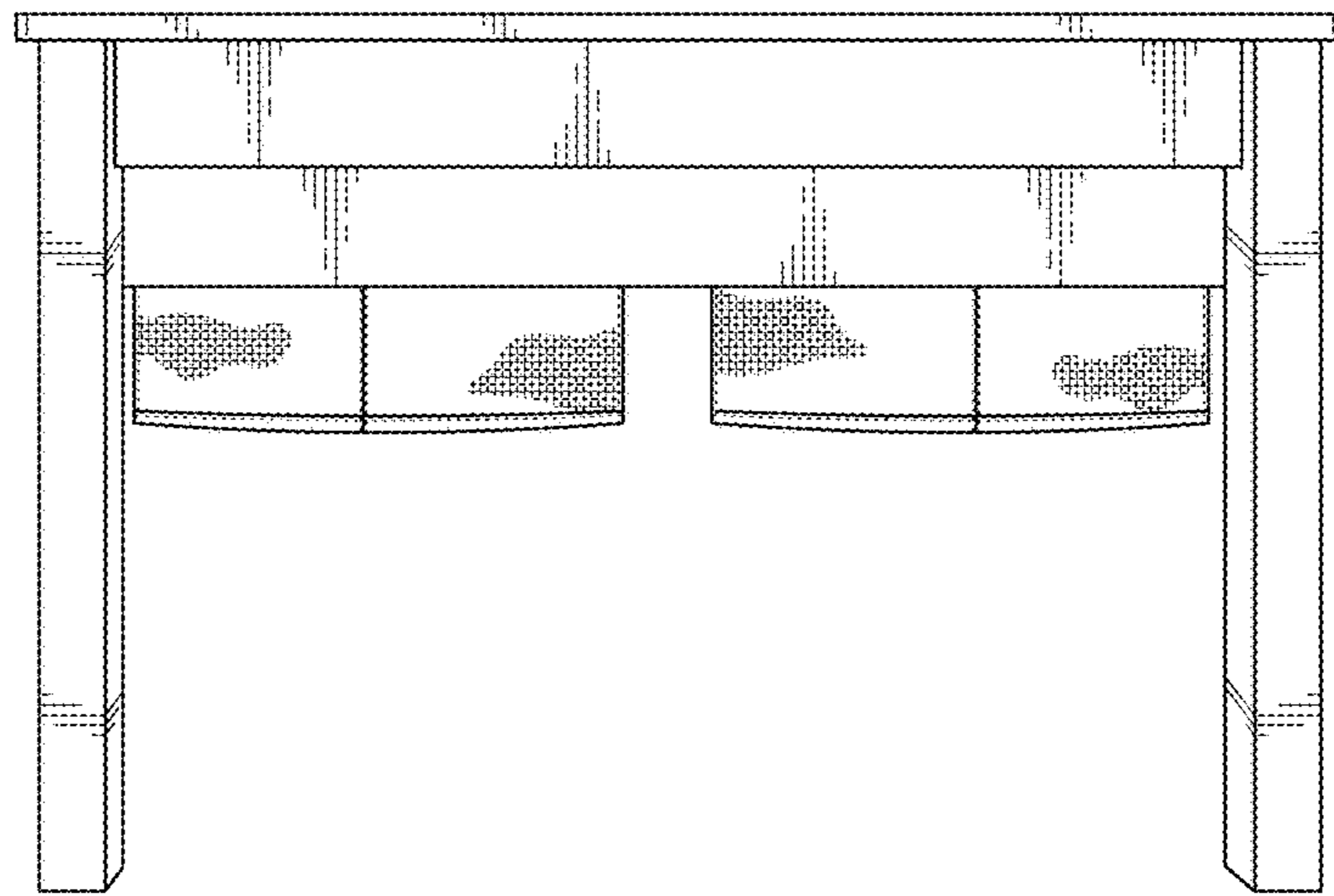


FIG. 2

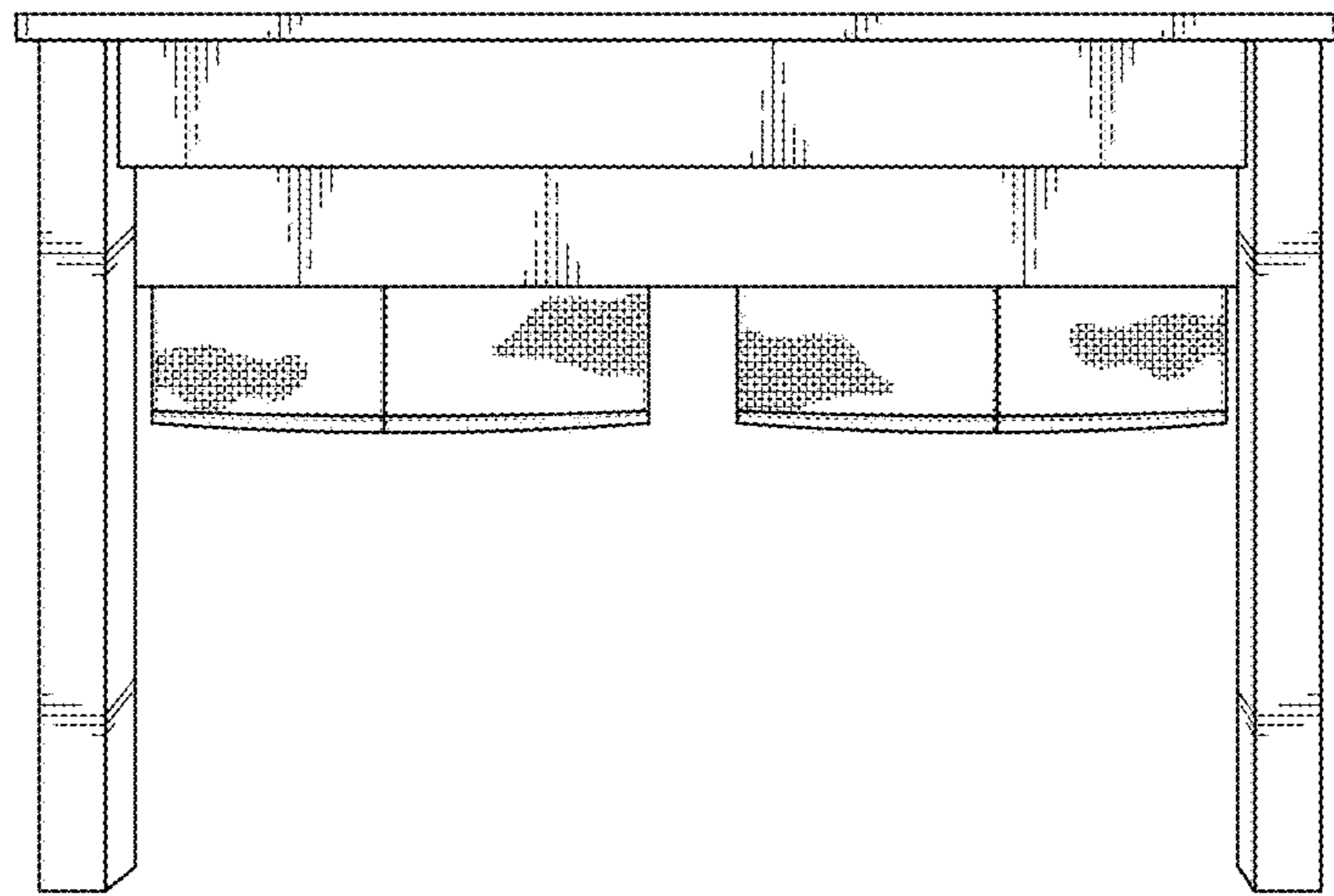


FIG. 3

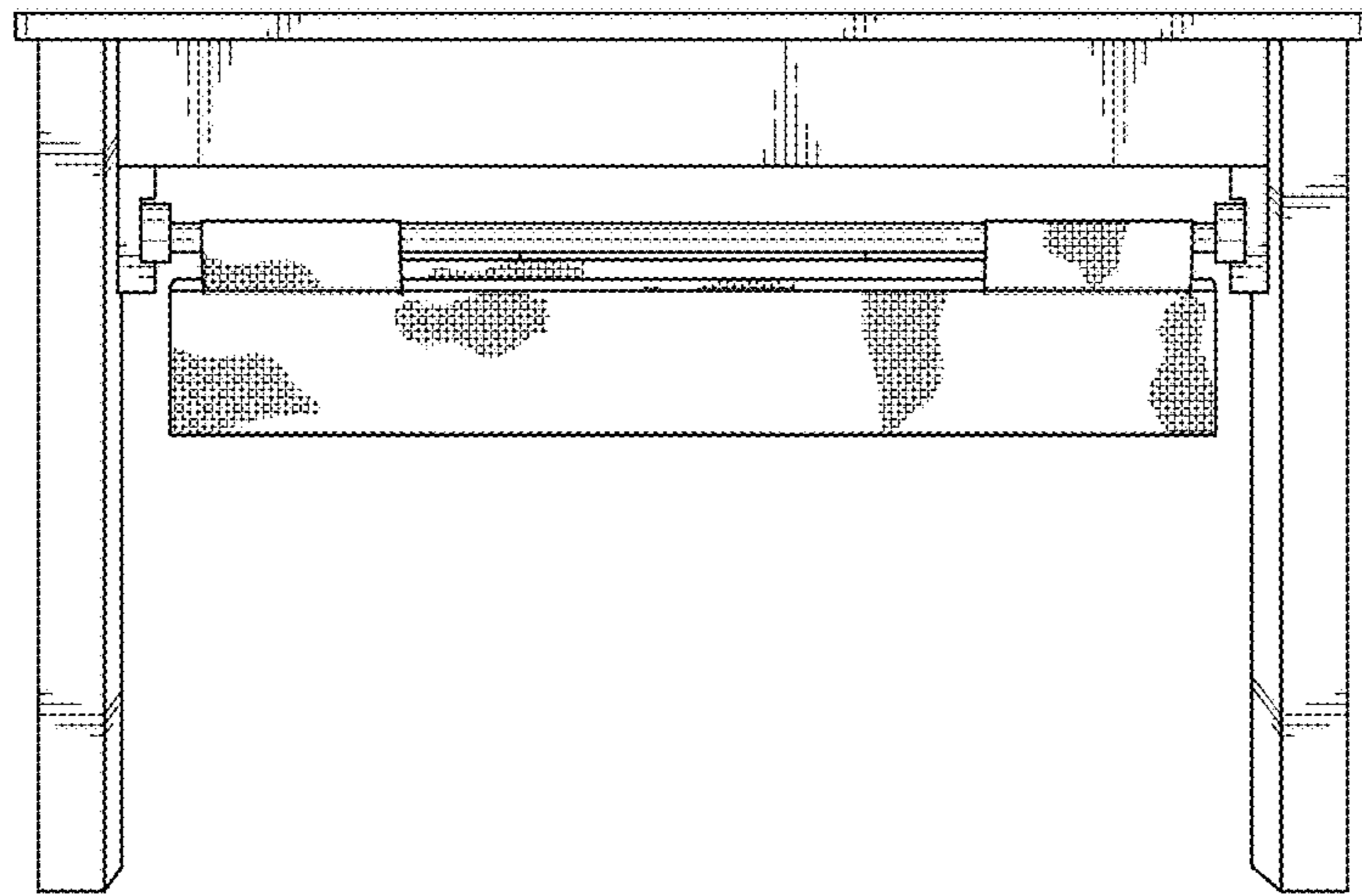


FIG. 4

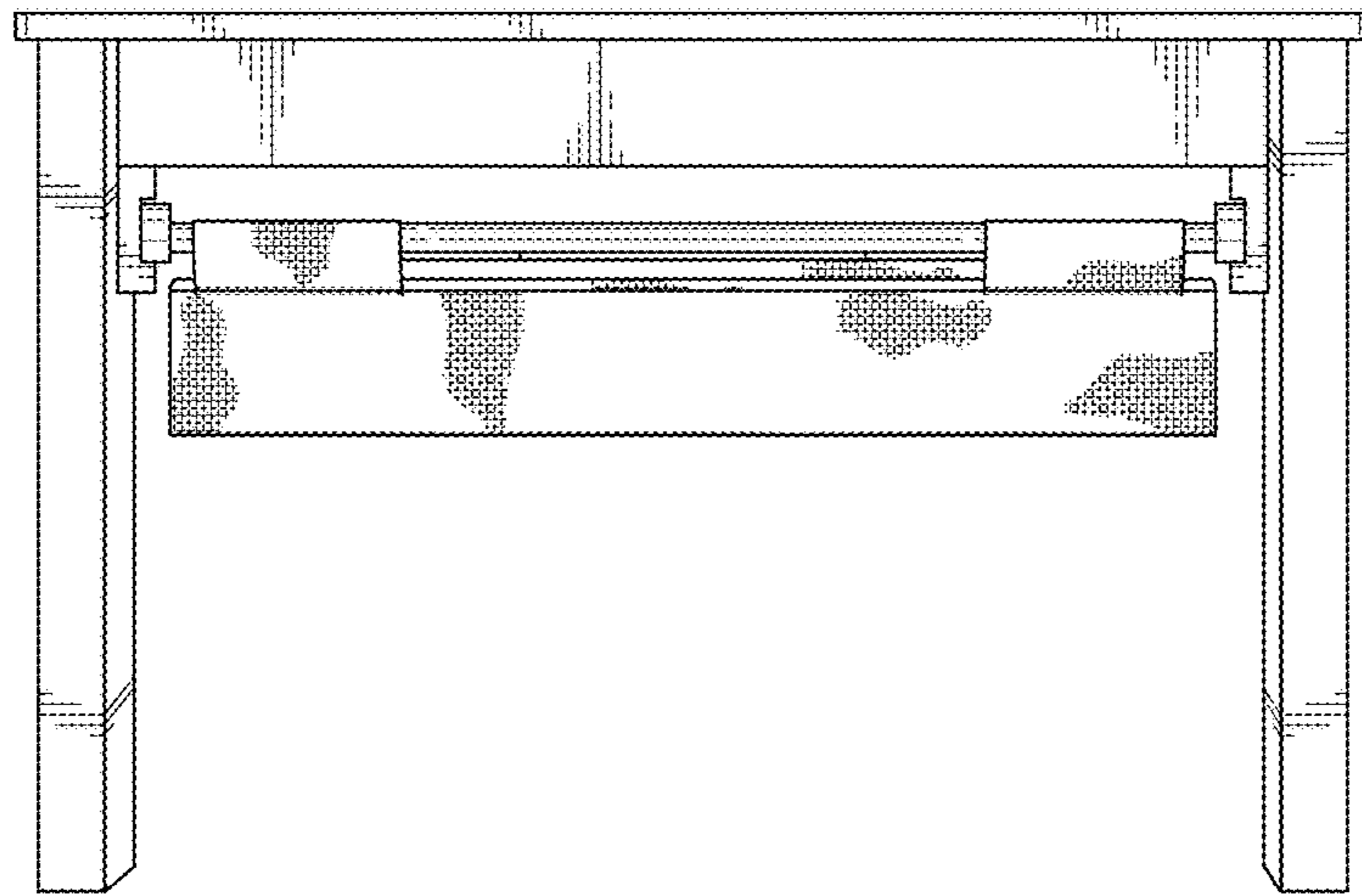


FIG. 5

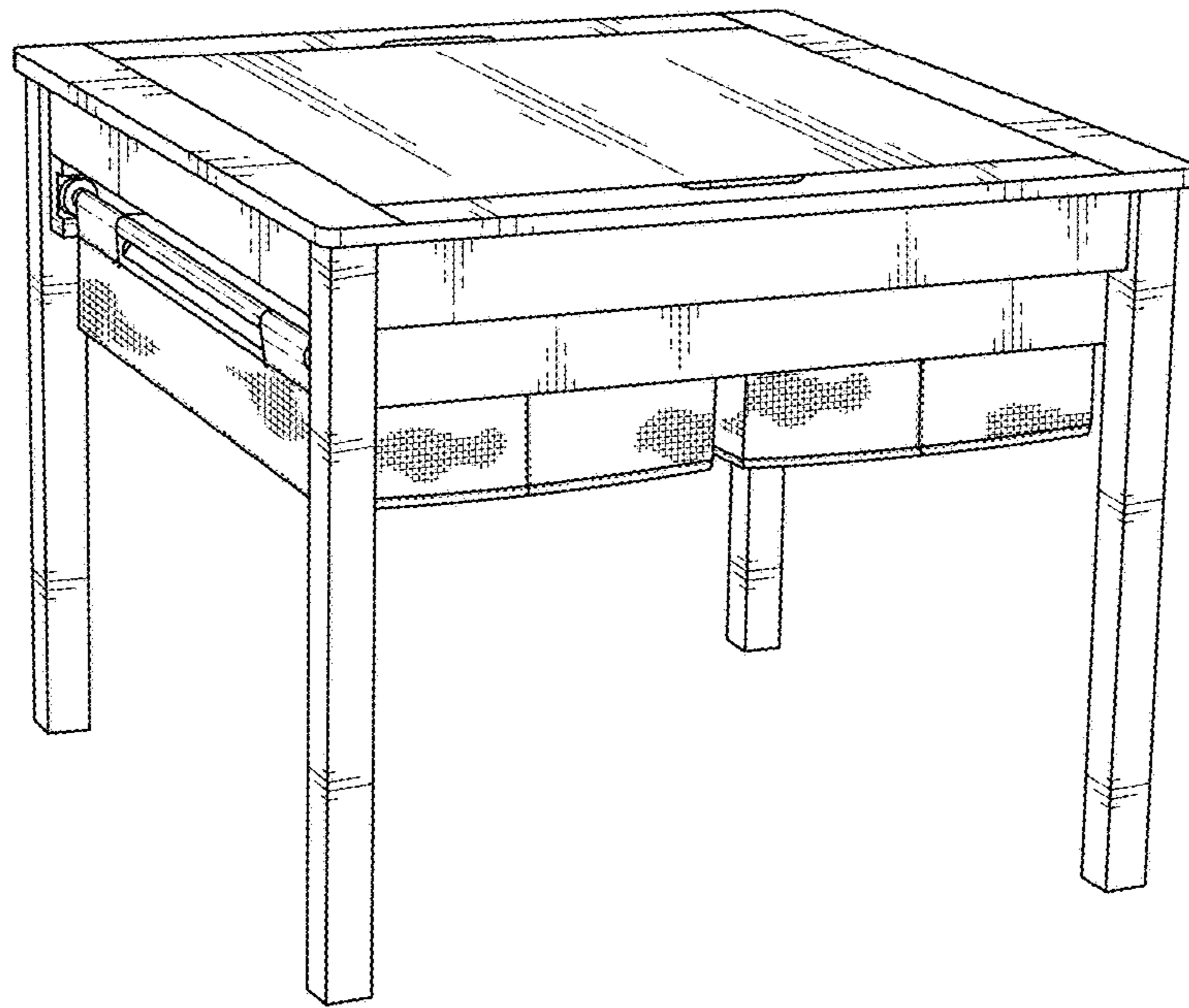


FIG. 6