

US00D860695S

(12) **United States Design Patent** (10) **Patent No.:** **US D860,695 S**  
**Kershner** (45) **Date of Patent:** **\*\* Sep. 24, 2019**

(54) **FOLDING TRAY TABLE FOR STORAGE IN A PIECE OF FURNITURE**

(71) Applicant: **Lifestyle Solutions, Inc.**, Fremont, CA (US)

(72) Inventor: **Brandon Kershner**, Hayward, CA (US)

(73) Assignee: **Lifestyle Solutions, Inc.**, Newark, CA (US)

(\*\*) Term: **15 Years**

(21) Appl. No.: **29/572,776**

(22) Filed: **Jul. 29, 2016**

(51) **LOC (12) Cl.** ..... **06-03**

(52) **U.S. Cl.**  
USPC ..... **D6/686; D6/691**

(58) **Field of Classification Search**  
USPC ..... D6/335, 336, 349, 685, 686, 661, D6/691.1-691.9

CPC .... A47B 1/00; A47B 3/00; A47B 3/02; A47B 3/002; A47B 3/06; A47B 3/08; A47B 3/0809; A47B 3/083; A47B 3/10; A47B 3/12; A47B 3/14; A47B 7/00; A47B 13/00; A47B 13/02; A47B 21/00; A47B 2003/006; A47B 2003/008; A47B 2003/0821; A47B 2003/0835; A47B 2003/145

See application file for complete search history.

(56) **References Cited**

**U.S. PATENT DOCUMENTS**

2,601,357 A \* 6/1952 Allbritton ..... A47B 3/02 108/118  
2,618,525 A \* 11/1952 Panzer ..... A47B 3/02 108/118

(Continued)

*Primary Examiner* — Mary Ann Calabrese

(74) *Attorney, Agent, or Firm* — Dykema Gossett P.L.L.C.

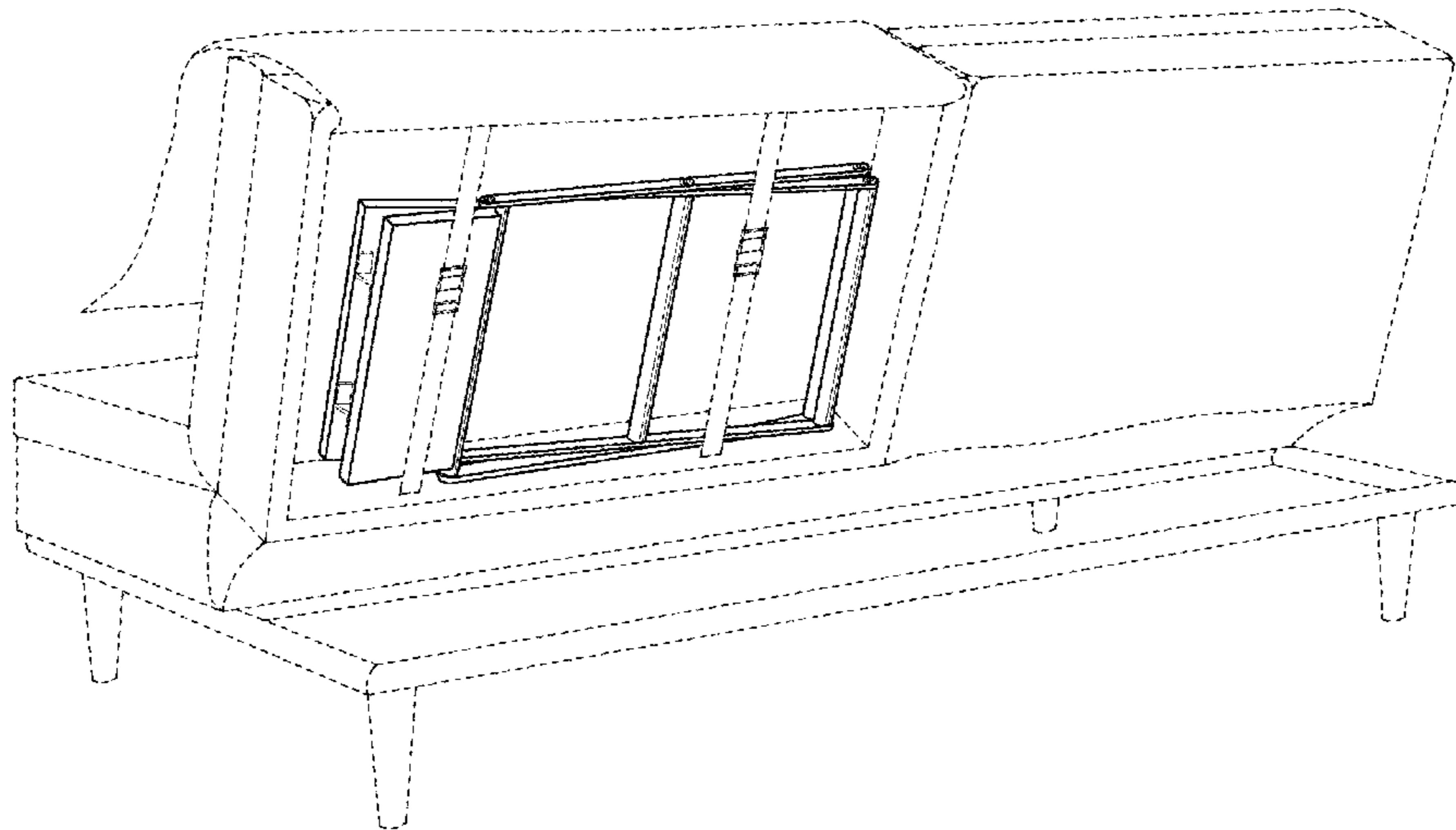
(57) **CLAIM**

The ornamental design for a folding tray table for storage in a piece of furniture, as shown and described.

**DESCRIPTION**

FIG. 1 is a front perspective view of an exemplar piece of furniture that can store the folding tray table;  
FIG. 2 is a rear perspective view of an exemplar piece of furniture that can store the folding tray table;  
FIG. 3 is a rear perspective view of an exemplar piece of furniture in which the folding tray table is folded and stored;  
FIG. 4 is a rear perspective view of an exemplar piece of furniture that can store the folding tray table, along with a perspective view of the folding tray table, adjacent to the furniture, in its standing and unfolded position;  
FIG. 5 is a bottom perspective view of the folding tray table in a mostly folded position;  
FIG. 6 is a bottom perspective view of the folding tray table in its standing and unfolded position;  
FIG. 7 is a top perspective view of the folding tray table in its standing and unfolded position;  
FIG. 8 is a front view of the folding tray table in its standing and unfolded position;  
FIG. 9 is a rear view of the folding tray table in its standing and unfolded position;  
FIG. 10 is a right side view of the folding tray table in its standing and unfolded position;  
FIG. 11 is a left side view of the folding tray table in its standing and unfolded position;  
FIG. 12 is a top view of the folding tray table in its standing and unfolded position; and,  
FIG. 13 is a bottom view of the folding tray table in its standing and unfolded position.  
The broken line showing the exemplar piece of furniture in FIGS. 1-4 illustrates environment that forms no part of the claimed design.

**1 Claim, 11 Drawing Sheets**



(56)

**References Cited**

U.S. PATENT DOCUMENTS

2,624,469	A *	1/1953	Adamson .....	A47B 3/02
				108/116
3,646,895	A *	3/1972	Campbell .....	A47B 3/02
				108/118
D261,712	S *	11/1981	Ferdinand .....	A47B 3/02
				D6/691
D388,638	S *	1/1998	Ludlam .....	A47B 3/02
				D6/692
D445,604	S *	7/2001	Jeup .....	A47B 3/02
				D6/691
D546,588	S *	7/2007	Massaud .....	D6/691
D688,901	S *	9/2013	Colson .....	A47B 3/02
				D6/656
D823,620	S *	7/2018	Tsukii .....	D6/686

\* cited by examiner

FIG. 1

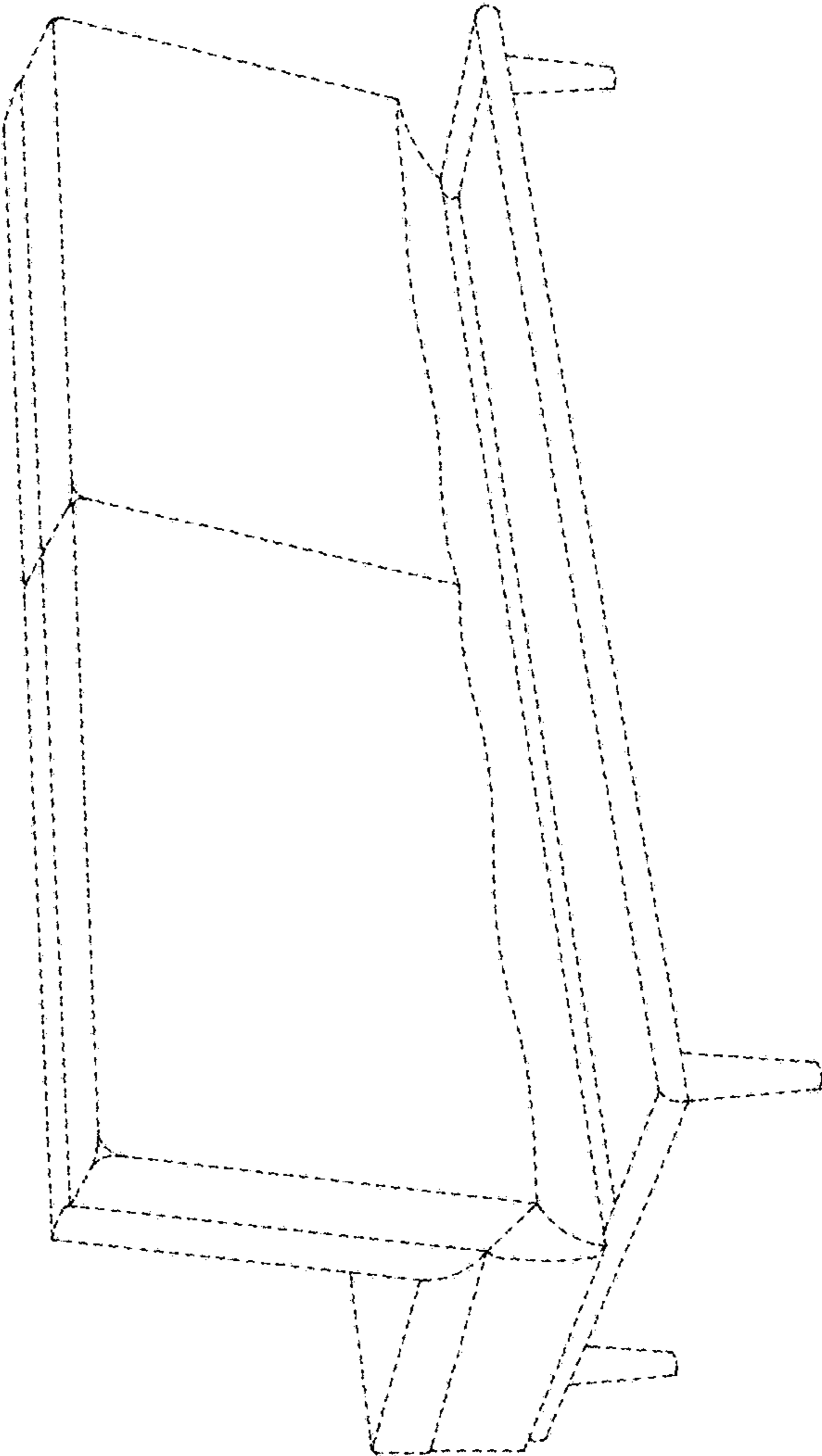
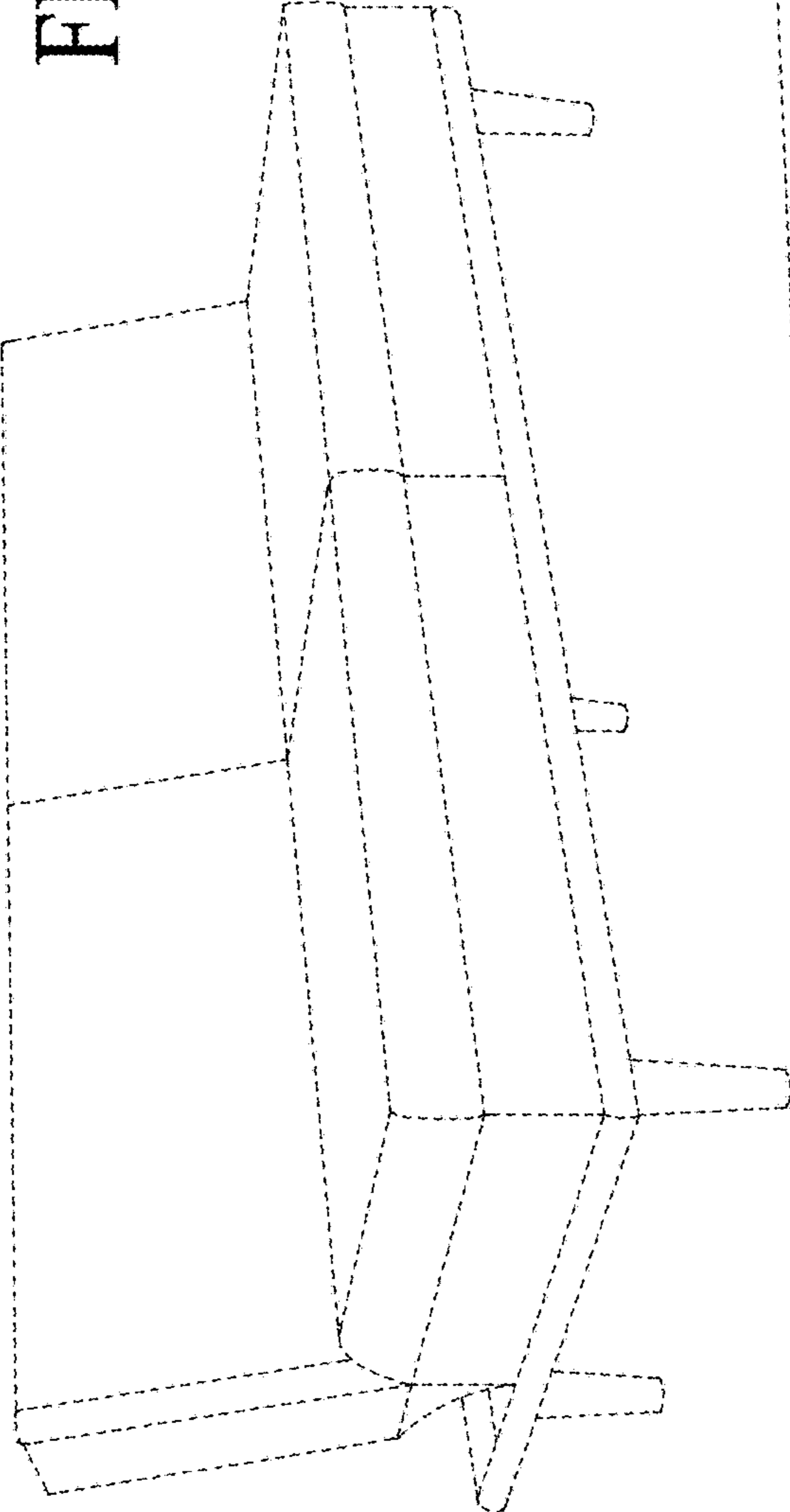


FIG. 2

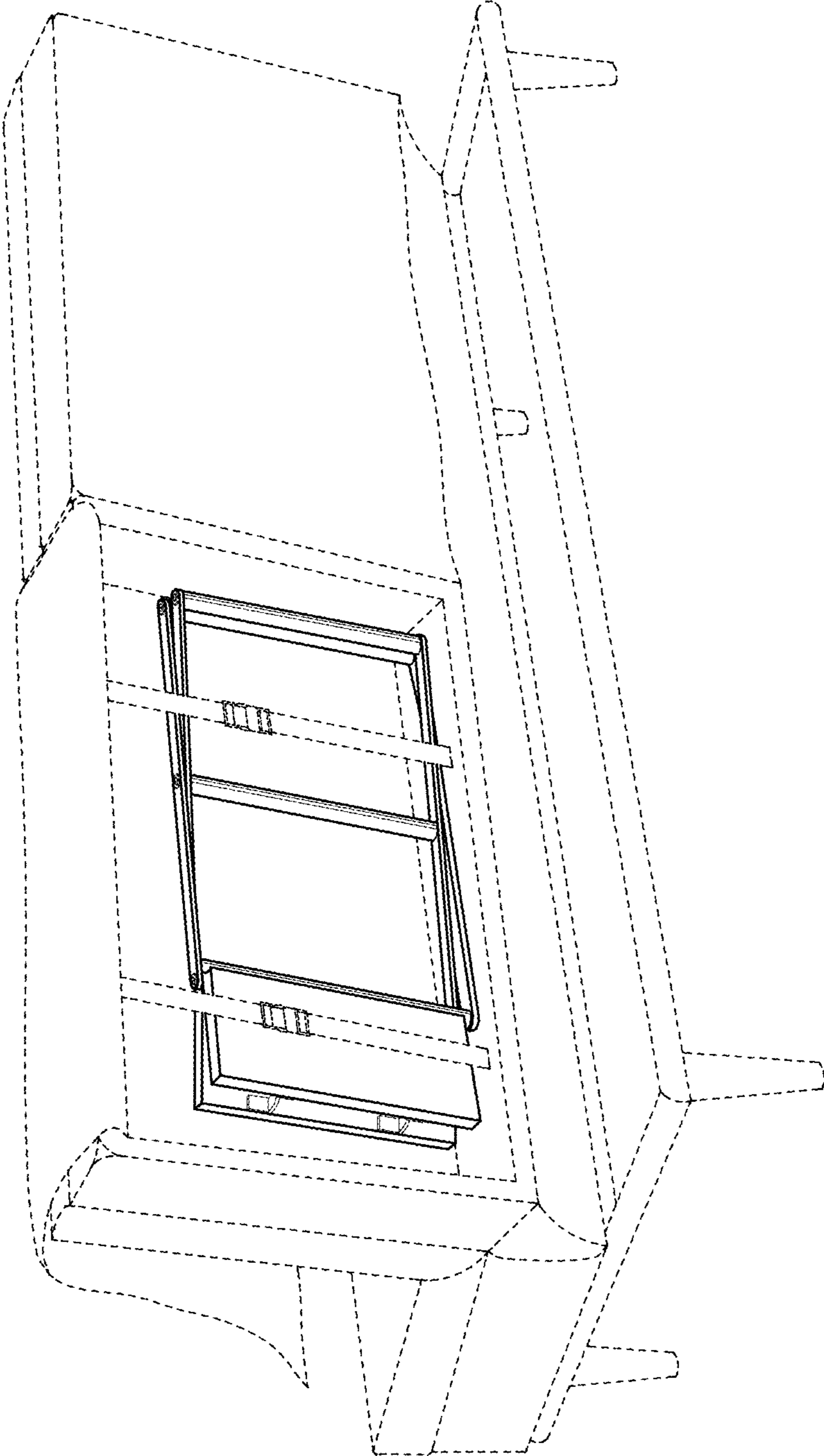


FIG. 3

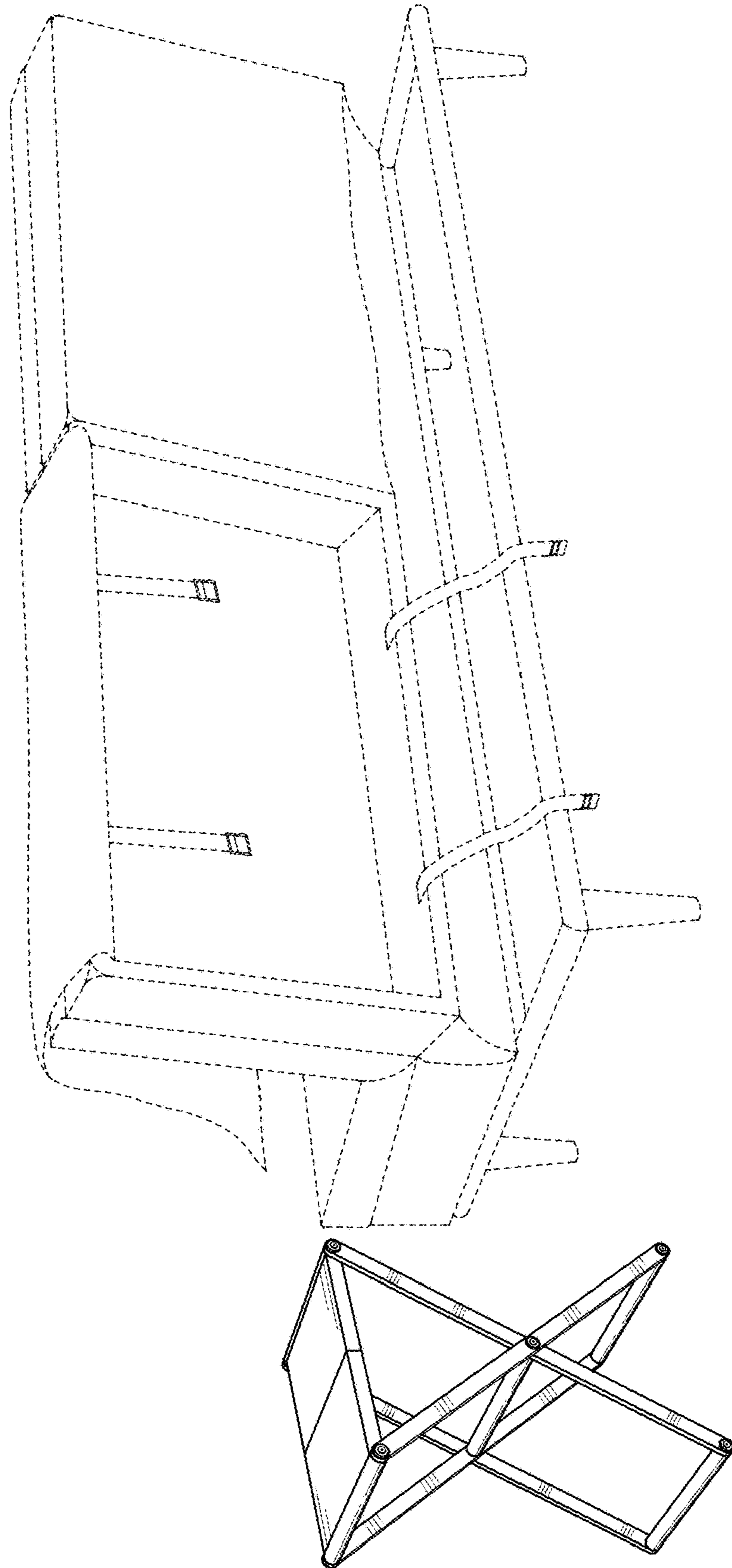


FIG. 4

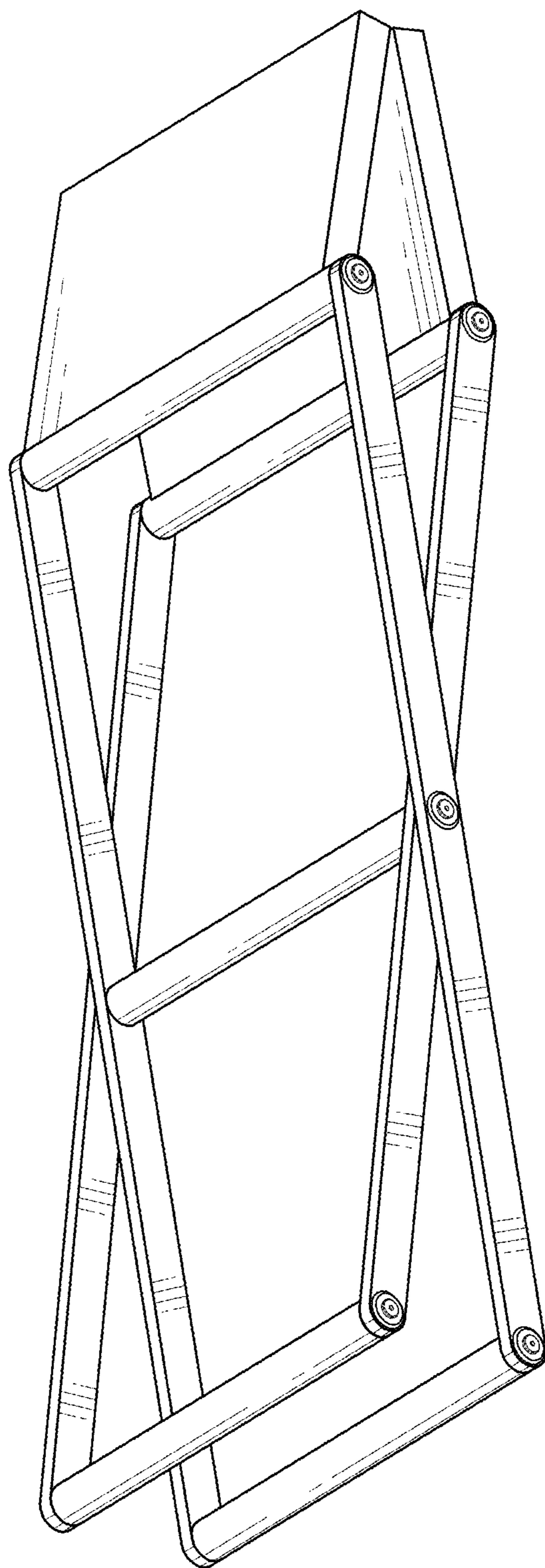


FIG. 5

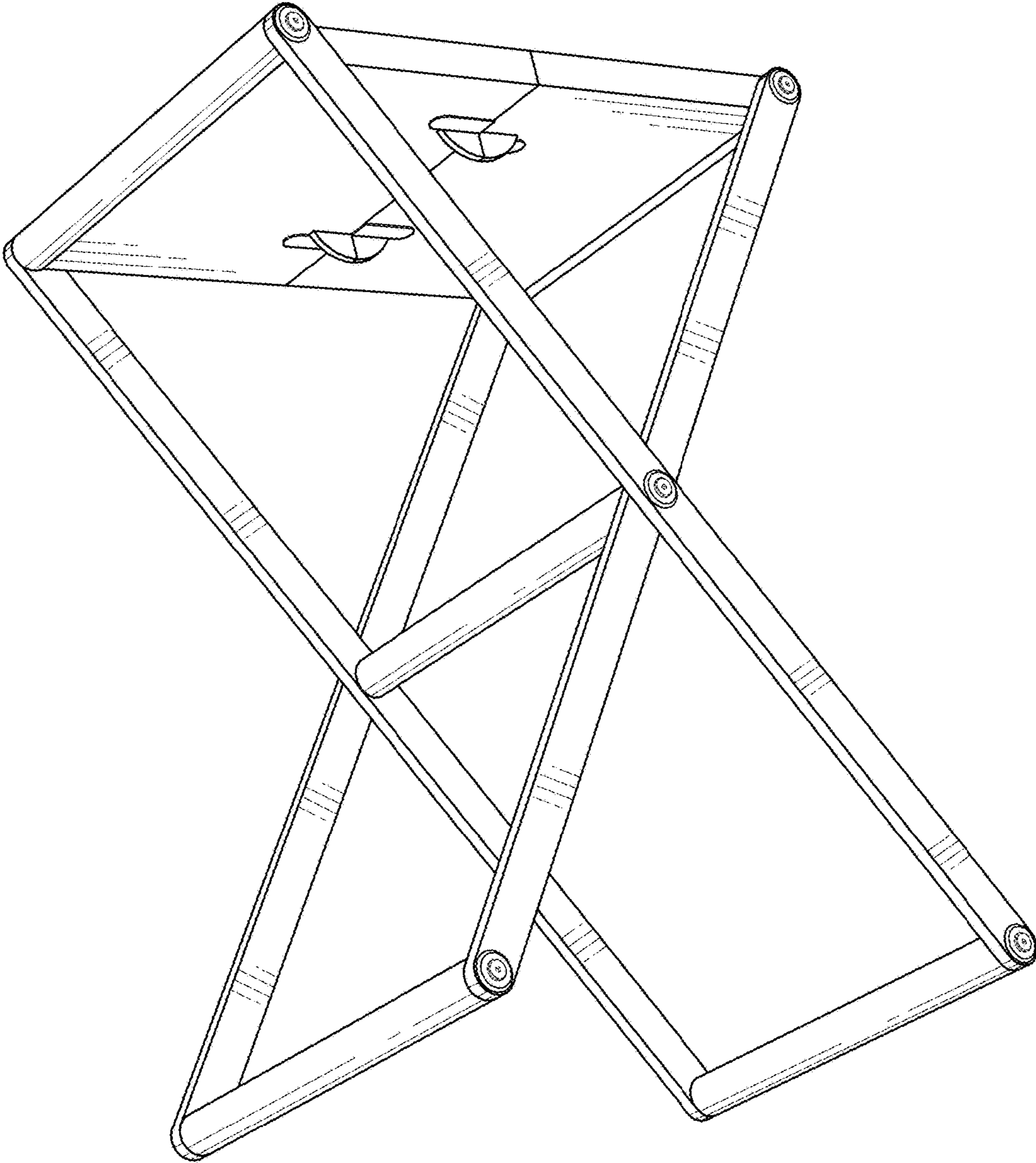


FIG. 6

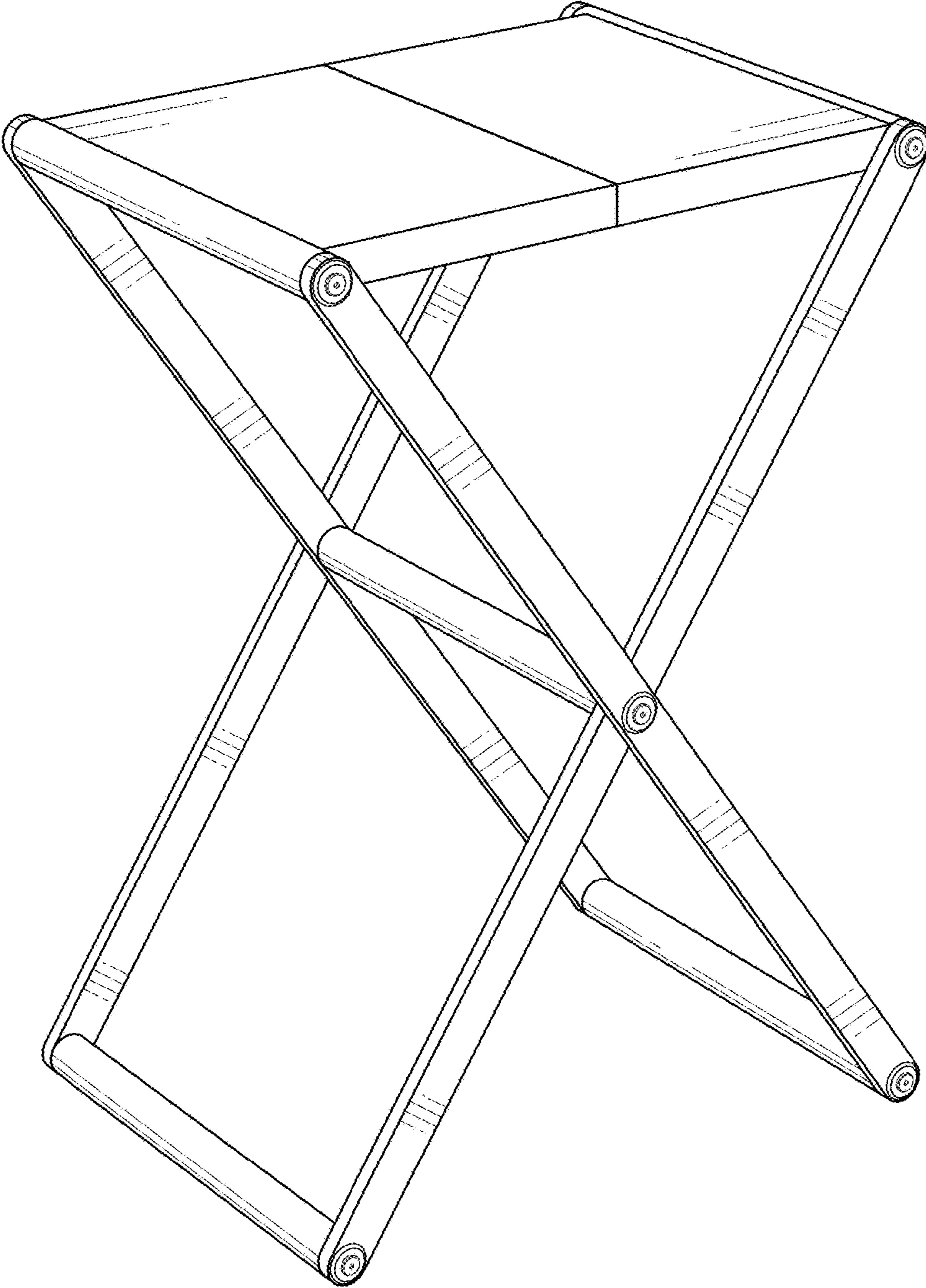


FIG. 7



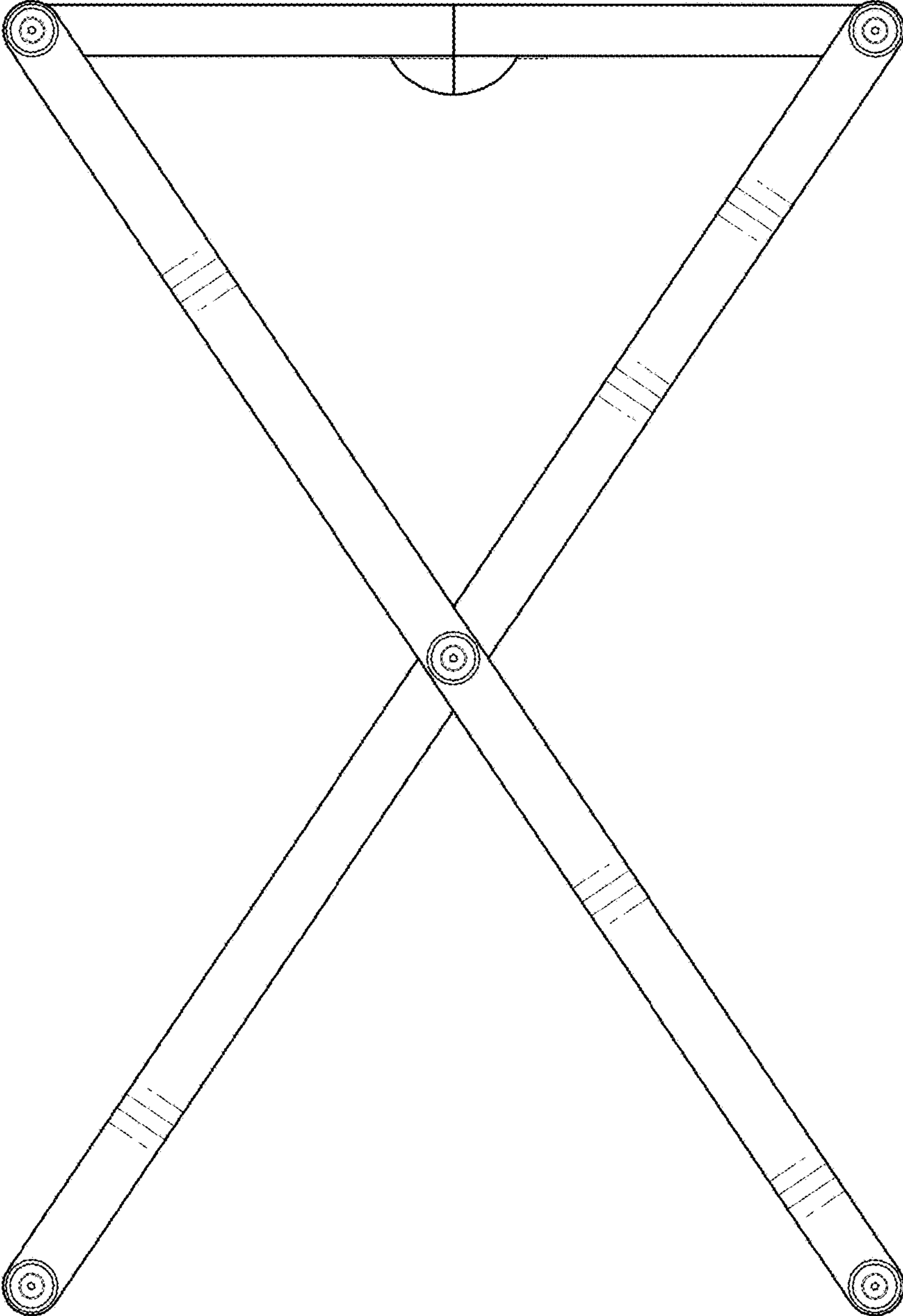


FIG. 8

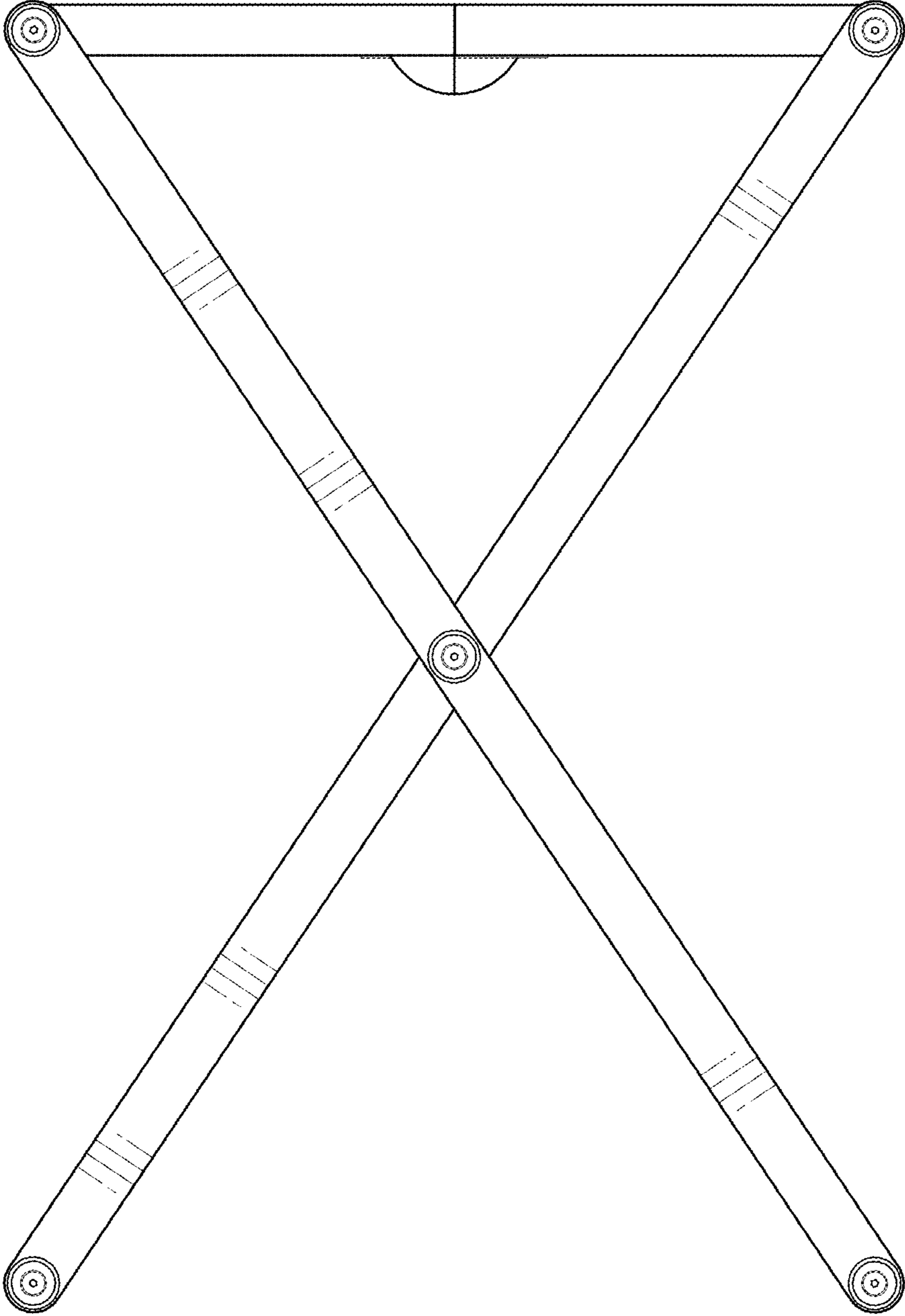


FIG. 9

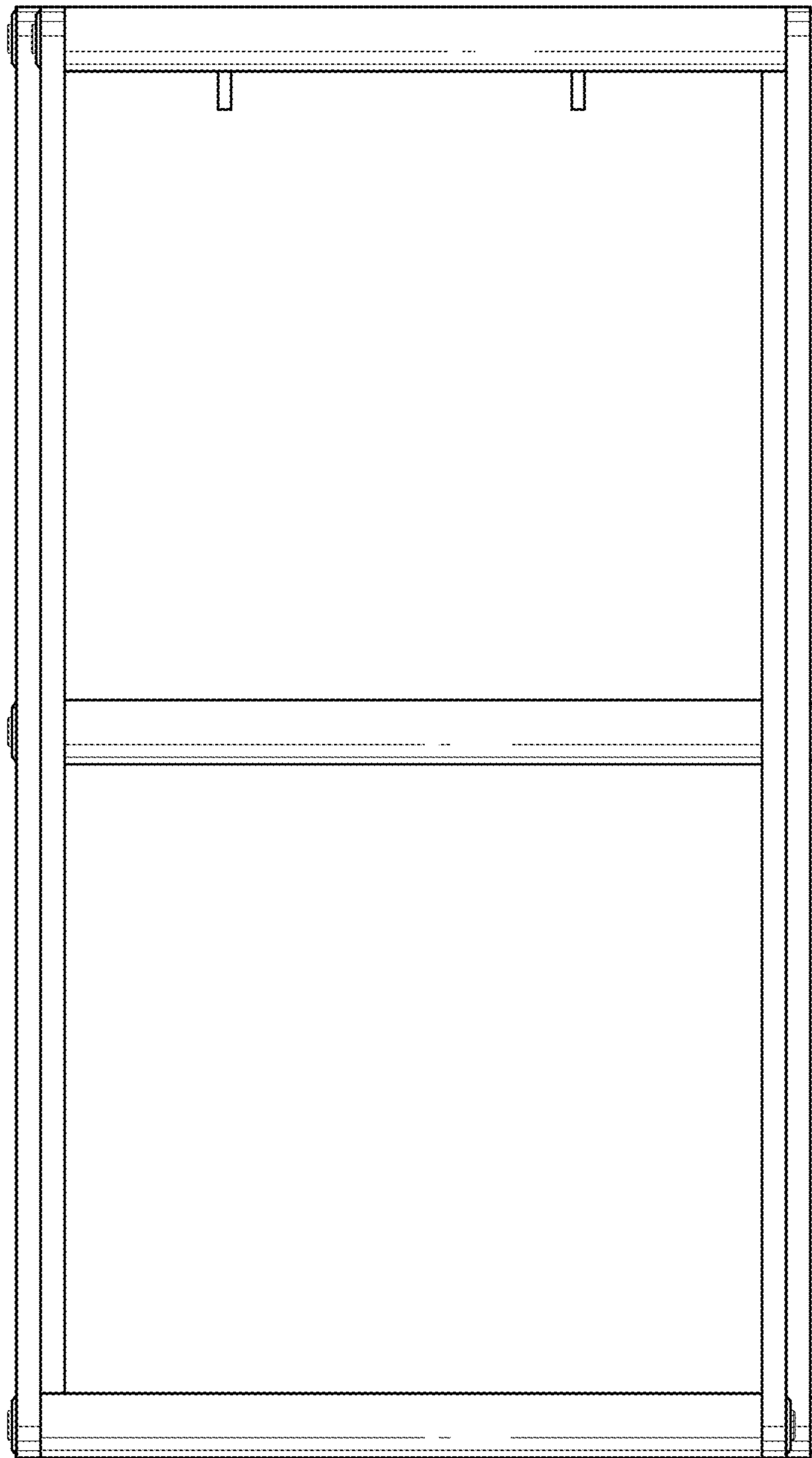


FIG. 10

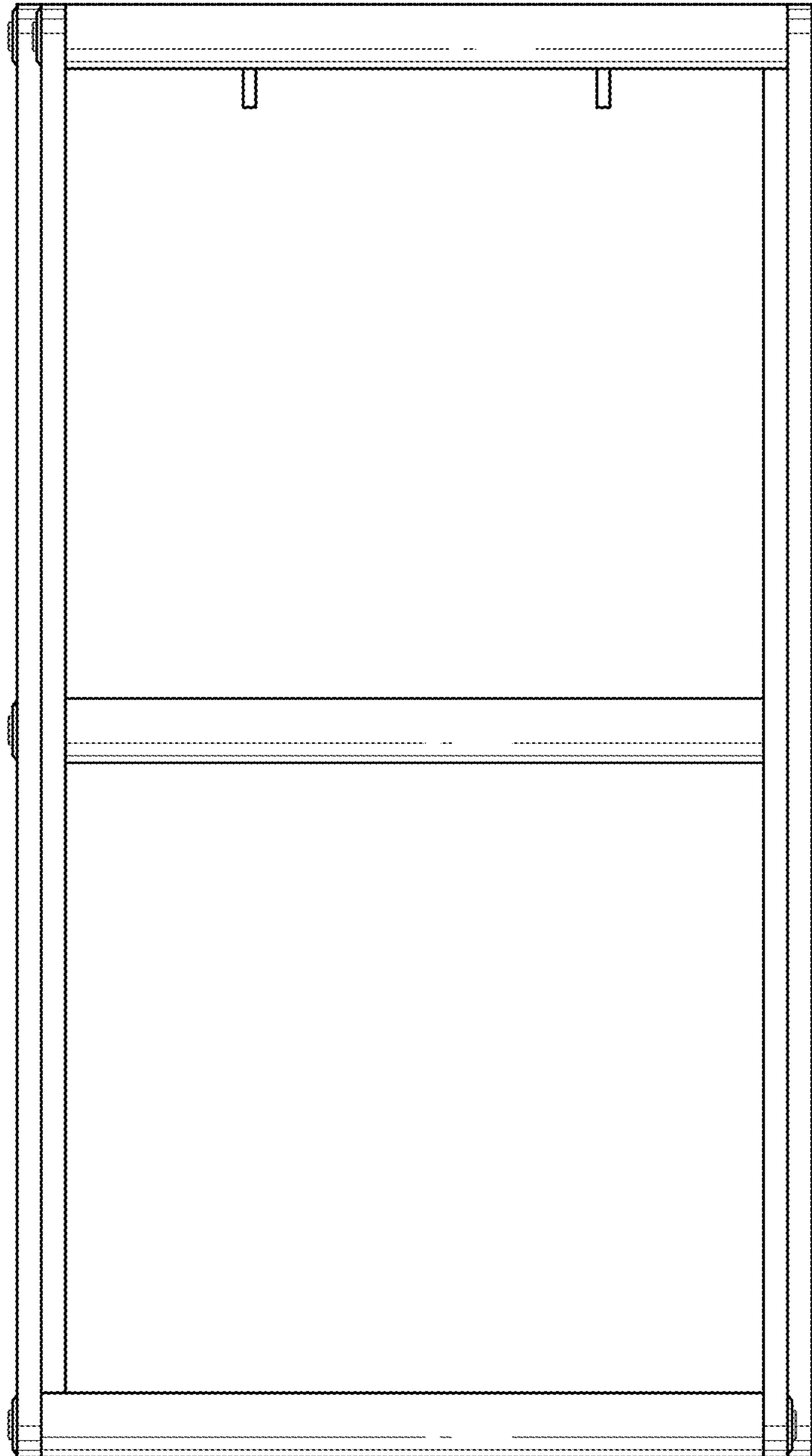


FIG. 11

FIG. 12

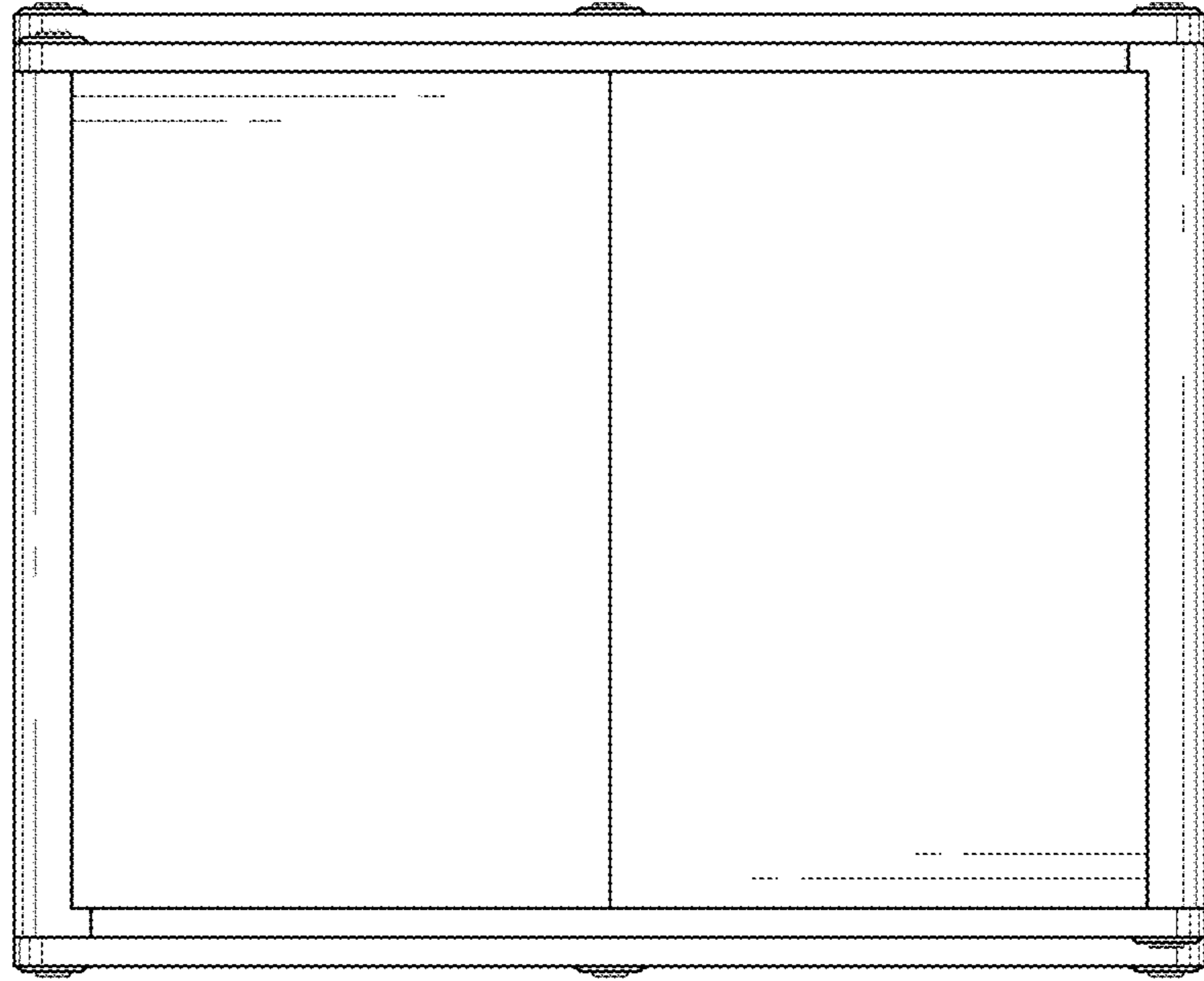


FIG. 13

