



US00D860694S

(12) **United States Design Patent** (10) **Patent No.:** **US D860,694 S**  
**Wilke** (45) **Date of Patent:** **\*\* Sep. 24, 2019**

(54) **SUPPORT STRUCTURE**

(71) Applicant: **David Wilke**, Franklin, WI (US)

(72) Inventor: **David Wilke**, Franklin, WI (US)

(\*\*) Term: **15 Years**

(21) Appl. No.: **29/567,391**

(22) Filed: **Jun. 8, 2016**

(51) **LOC (12) Cl.** ..... **20-02**

(52) **U.S. Cl.**  
USPC ..... **D6/680.2**; D6/682

(58) **Field of Classification Search**  
USPC ... D6/672, 675-684, 703, 703.2, 703.5, 706,  
D6/712, 713, 714; D8/382; D10/69  
CPC ..... A47F 1/00  
See application file for complete search history.

(56) **References Cited**

**U.S. PATENT DOCUMENTS**

|           |     |         |          |       |            |
|-----------|-----|---------|----------|-------|------------|
| 2,597,157 | A * | 5/1952  | Martino  | ..... | A47G 25/08 |
|           |     |         |          |       | 126/30     |
| 2,609,136 | A   | 9/1952  | Sider    |       |            |
| 3,076,557 | A * | 2/1963  | Husted   | ..... | A45F 3/44  |
|           |     |         |          |       | 108/148    |
| 3,199,765 | A   | 8/1965  | Locke    |       |            |
| D239,744  | S * | 5/1976  | Bucknam  | ..... | D6/680.2   |
| 3,982,682 | A   | 9/1976  | Fremion  |       |            |
| 4,248,350 | A   | 2/1981  | Gilbert  |       |            |
| 4,399,915 | A   | 8/1983  | Sorenson |       |            |
| 4,813,902 | A   | 3/1989  | Messer   |       |            |
| 4,879,823 | A   | 11/1989 | Collins  |       |            |
| 4,944,709 | A   | 7/1990  | Lovik    |       |            |

(Continued)

**FOREIGN PATENT DOCUMENTS**

JP 2007008575 1/2007

**OTHER PUBLICATIONS**

Balloon Tree Holder Stand: Published Feb. 6, 2015 [online], site visited May 6, 2019. Available from Internet URL:https://www.

amazon.co.uk/dp/B00T9TX6UE/ref=cm\_sw\_r\_tw\_dp\_U\_x\_.ui0CbEFT6J4D (Year: 2015).\*

*Primary Examiner* — Jack Reickel  
*Assistant Examiner* — Melvin L Davis  
(74) *Attorney, Agent, or Firm* — Ryan Kromholz & Manion, S.C.

(57) **CLAIM**

The ornamental design for a support structure, as is shown and described.

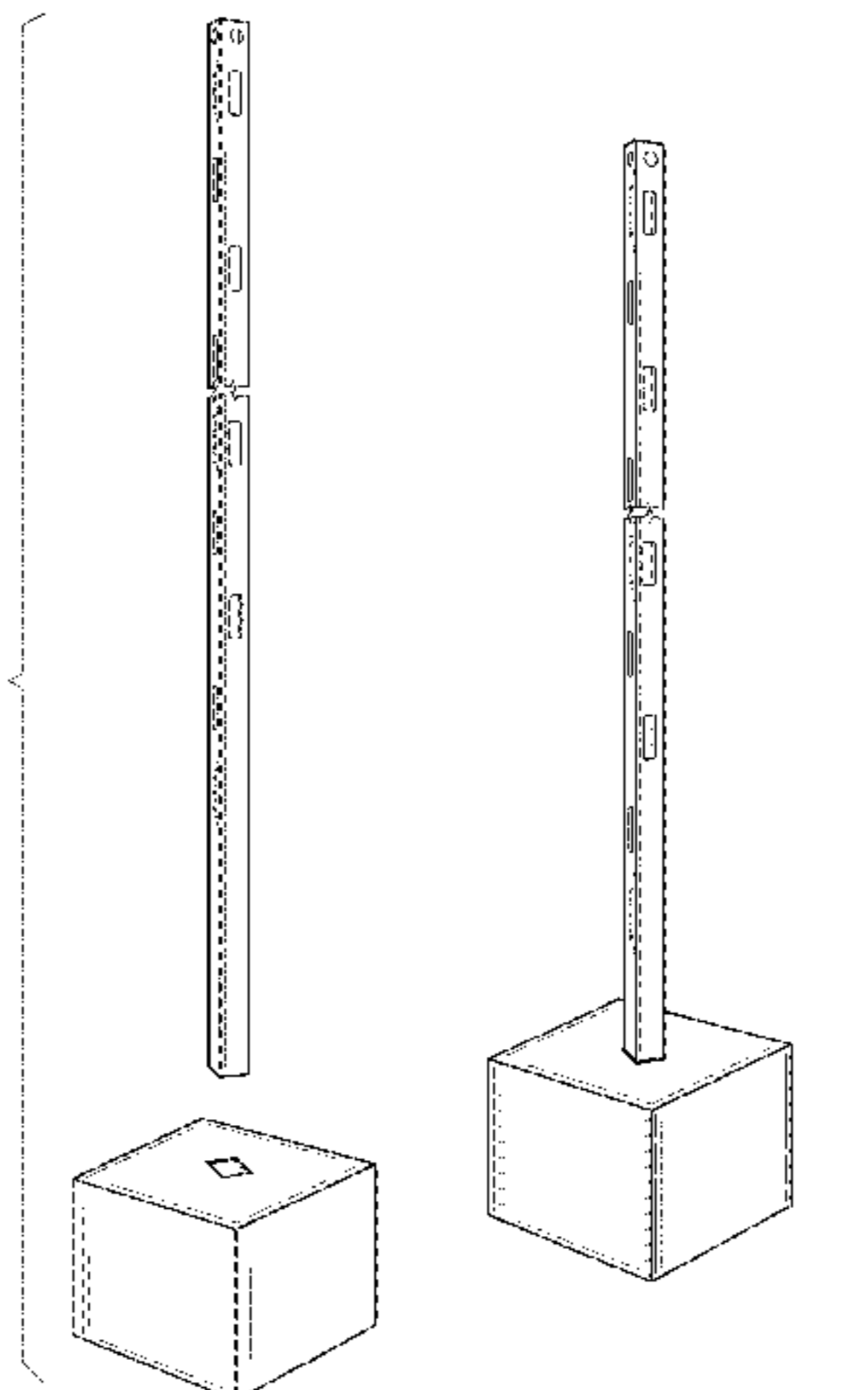
**DESCRIPTION**

FIG. 1 is an exploded perspective view of a first embodiment of the support structure  
FIG. 2 is a perspective view of the support structure illustrated in FIG. 1;  
FIG. 3 is a perspective view of the support structure illustrated in FIGS. 1 and 2, and showing balloons in dashed lines to illustrate possible use of the device;  
FIG. 4 is a front elevation view thereof;  
FIG. 5 is a rear elevation view thereof;  
FIG. 6 is a left side elevation view thereof;  
FIG. 7 is a right side elevation view thereof;  
FIG. 8 is a top plan view thereof;  
FIG. 9 is a bottom plan view thereof;  
FIG. 10 is a perspective view of a second embodiment of the support structure;  
FIG. 11 is a front elevation view thereof;  
FIG. 12 is a rear elevation view thereof;  
FIG. 13 is a left side elevation view thereof;  
FIG. 14 is a right side elevation view thereof;  
FIG. 15 is a top plan view thereof; and,  
FIG. 16 is a bottom plan view thereof.

The broken lines in the drawings represent unclaimed subject matter and form no part of the claimed design.

The support structure is shown with a symbolic break. Any portion between the break lines forms no part of the claimed design.

**1 Claim, 5 Drawing Sheets**



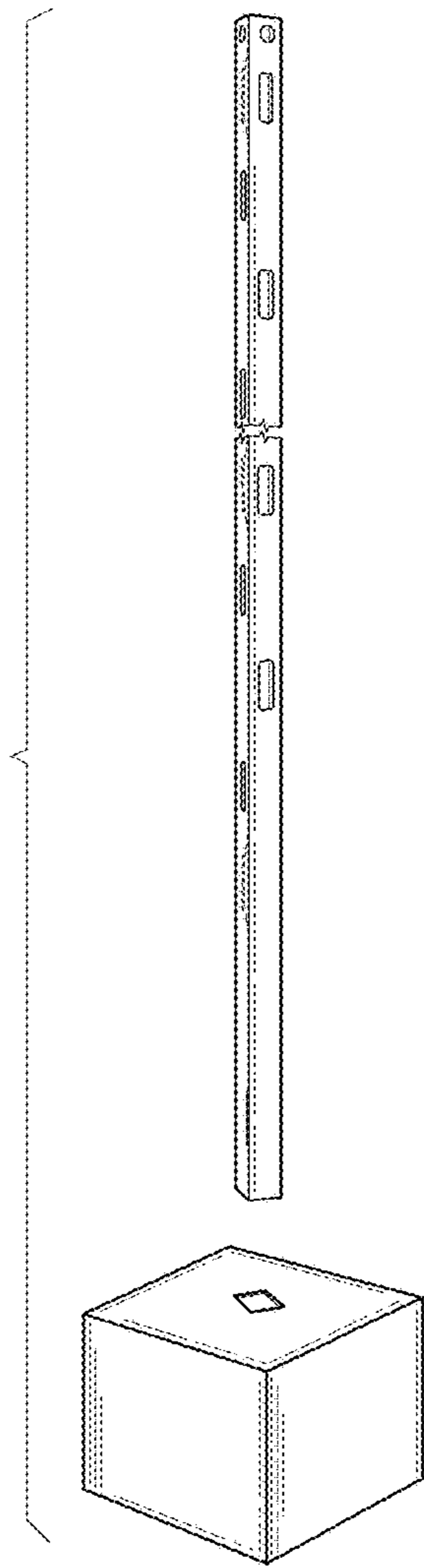
(56)

References Cited

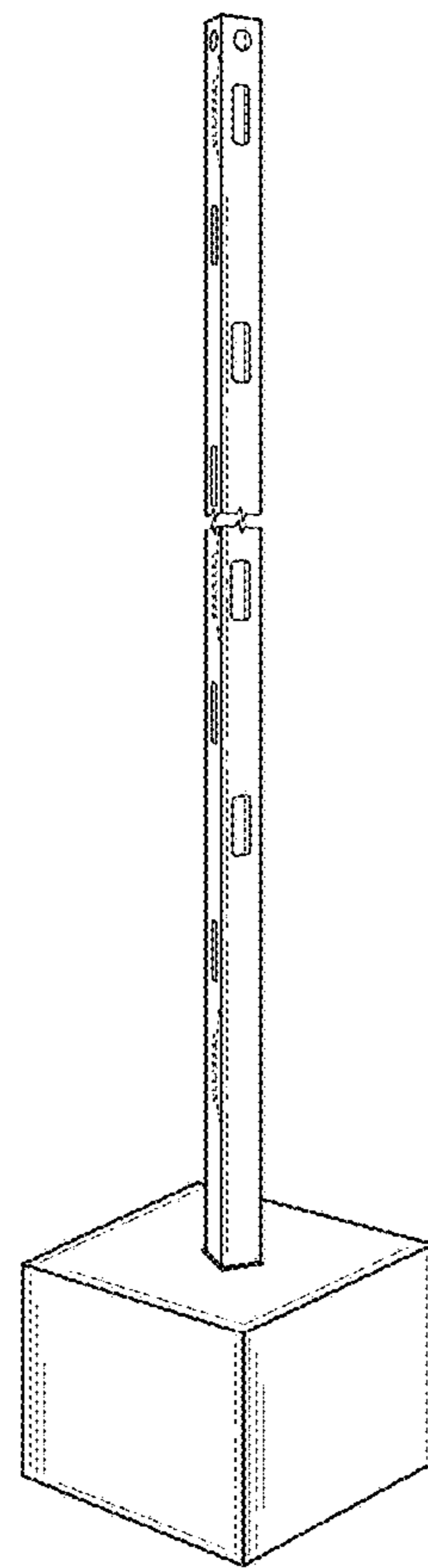
U.S. PATENT DOCUMENTS

|                 |         |                     |                       |
|-----------------|---------|---------------------|-----------------------|
| 4,953,713 A     | 9/1990  | Yaffe               |                       |
| 5,024,011 A     | 6/1991  | Collins             |                       |
| 5,161,692 A     | 11/1992 | Knierim             |                       |
| D381,534 S *    | 7/1997  | Garneau .....       | D6/680.2              |
| D385,716 S *    | 11/1997 | Hudson .....        | D6/680.2              |
| 6,012,587 A     | 1/2000  | McCullough          |                       |
| D450,474 S *    | 11/2001 | Sokoloff .....      | D6/681.3              |
| D463,160 S *    | 9/2002  | Chang .....         | D6/680.2              |
| D470,689 S *    | 2/2003  | High .....          | D8/382                |
| 6,513,662 B1    | 2/2003  | Stebelton           |                       |
| 7,137,517 B2    | 11/2006 | Lowry               |                       |
| D555,944 S *    | 11/2007 | Quintal .....       | D6/712                |
| D567,541 S *    | 4/2008  | Bermea .....        | D6/682                |
| D605,428 S *    | 12/2009 | Brooks .....        | D6/680.2              |
| 7,631,773 B1 *  | 12/2009 | Calabrisotto .....  | A47B 61/00<br>211/196 |
| D643,255 S *    | 8/2011  | Tsai .....          | D7/637                |
| 8,968,047 B1    | 3/2015  | Wicken              |                       |
| 9,089,784 B2    | 7/2015  | Nelson              |                       |
| 9,185,984 B2    | 11/2015 | Henke               |                       |
| D765,447 S *    | 9/2016  | Barham .....        | D6/682                |
| 9,783,333 B1    | 10/2017 | De Los Santos       |                       |
| D805,928 S *    | 12/2017 | Ben Josef .....     | D10/69                |
| D825,353 S *    | 8/2018  | Wojciechowski ..... | D10/69                |
| 2007/0071563 A1 | 3/2007  | Snyder              |                       |
| 2008/0067301 A1 | 3/2008  | Moss                |                       |
| 2009/0065389 A1 | 3/2009  | Kleinsmith          |                       |
| 2010/0219093 A1 | 9/2010  | Motadel             |                       |
| 2010/0252519 A1 | 10/2010 | Hanners             |                       |
| 2011/0311750 A1 | 12/2011 | McNeil              |                       |
| 2013/0180941 A1 | 7/2013  | Tomaszewski         |                       |
| 2013/0244532 A1 | 9/2013  | McNichols           |                       |
| 2014/0284436 A1 | 9/2014  | Erwin               |                       |
| 2015/0076096 A1 | 3/2015  | Brady               |                       |
| 2015/0213742 A1 | 7/2015  | Chapman-Rickman     |                       |
| 2015/0374146 A1 | 12/2015 | LeFevre             |                       |
| 2016/0144993 A1 | 5/2016  | George              |                       |
| 2017/0057721 A1 | 3/2017  | Lee                 |                       |

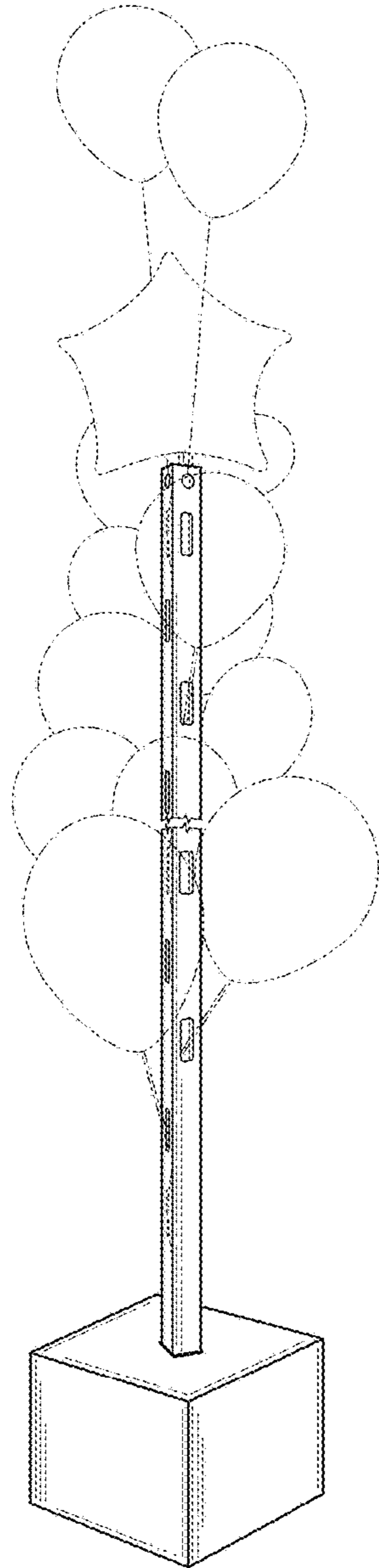
\* cited by examiner



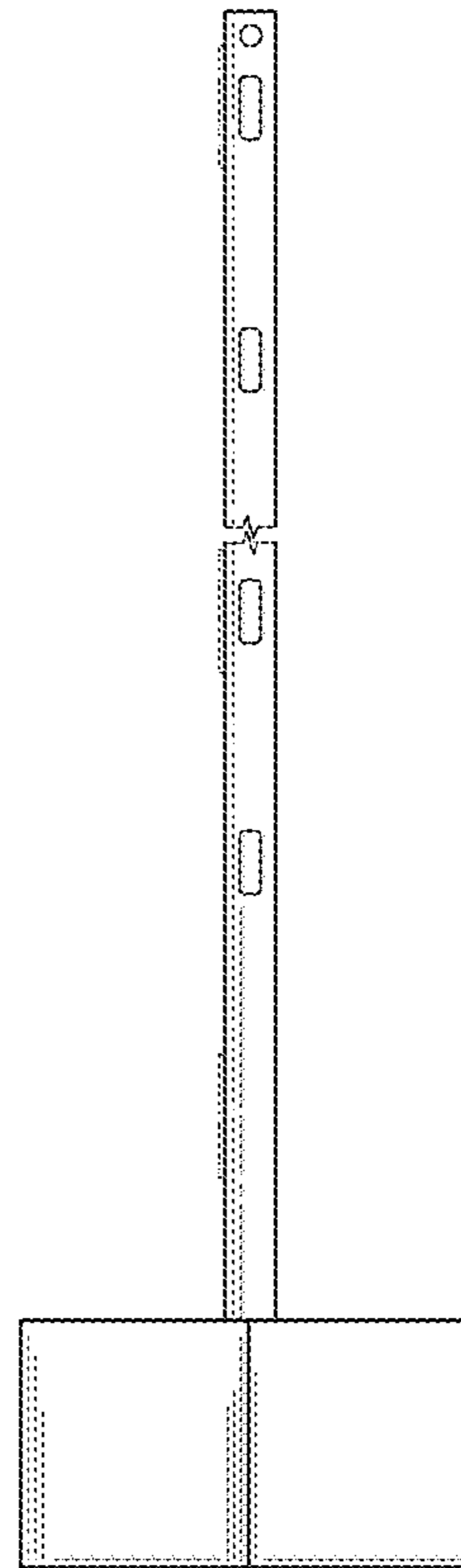
*Fig. 1*



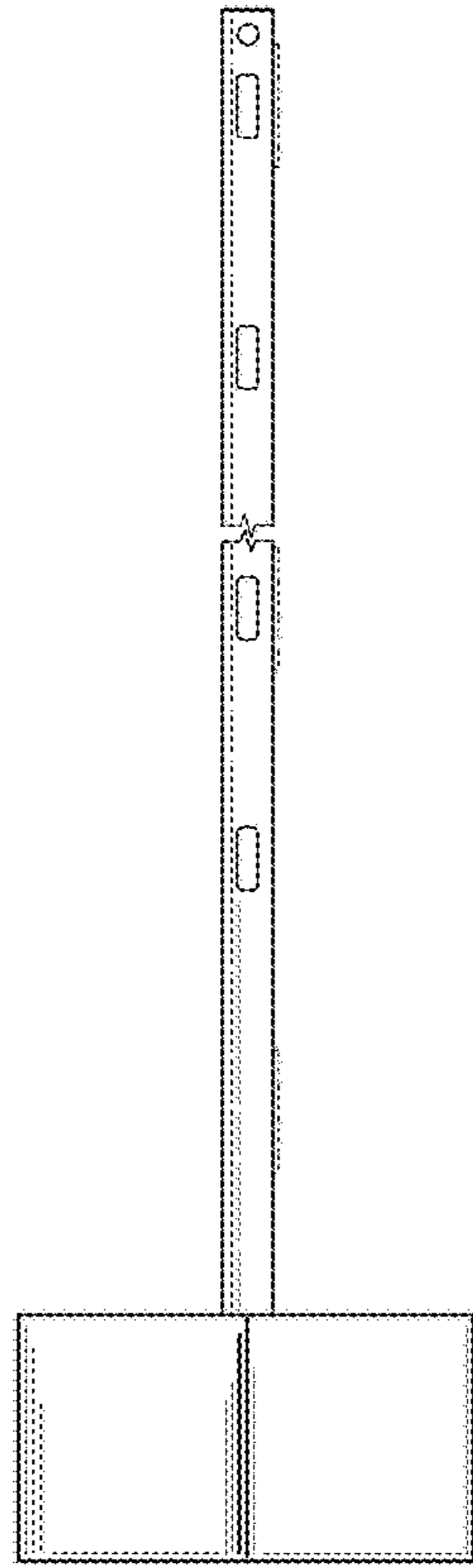
*Fig. 2*



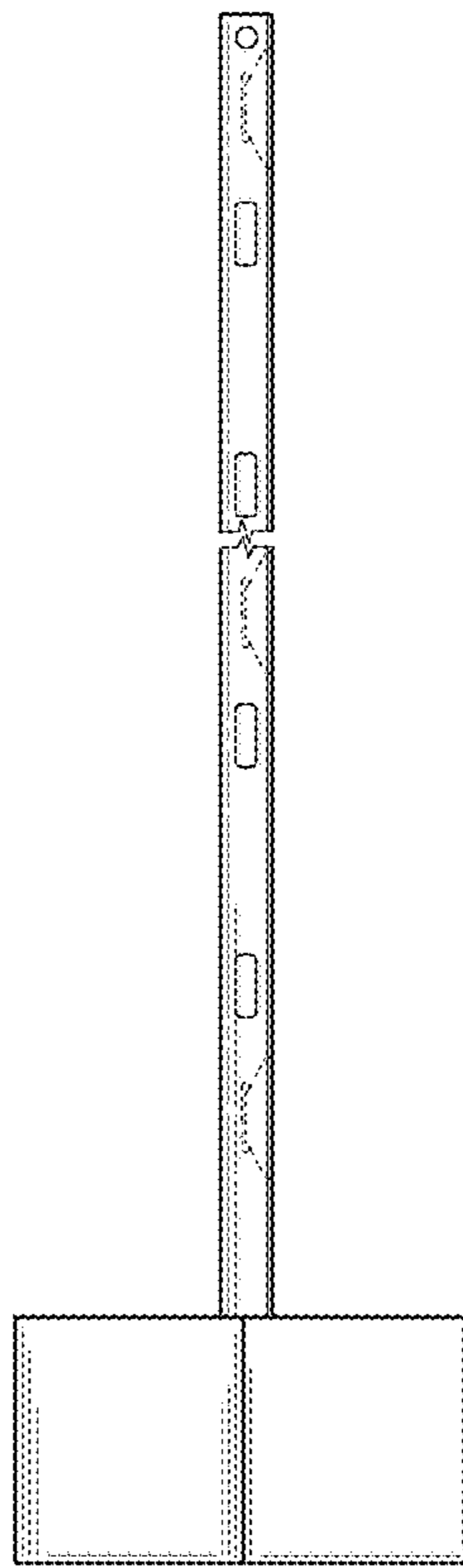
*Fig. 3*



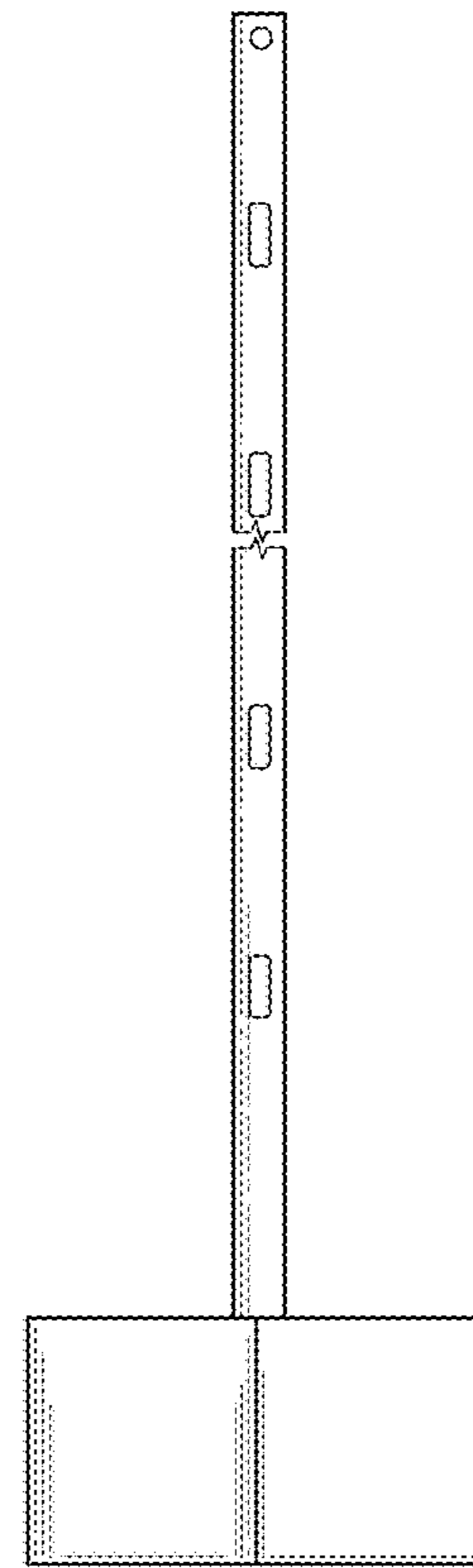
*Fig. 4*



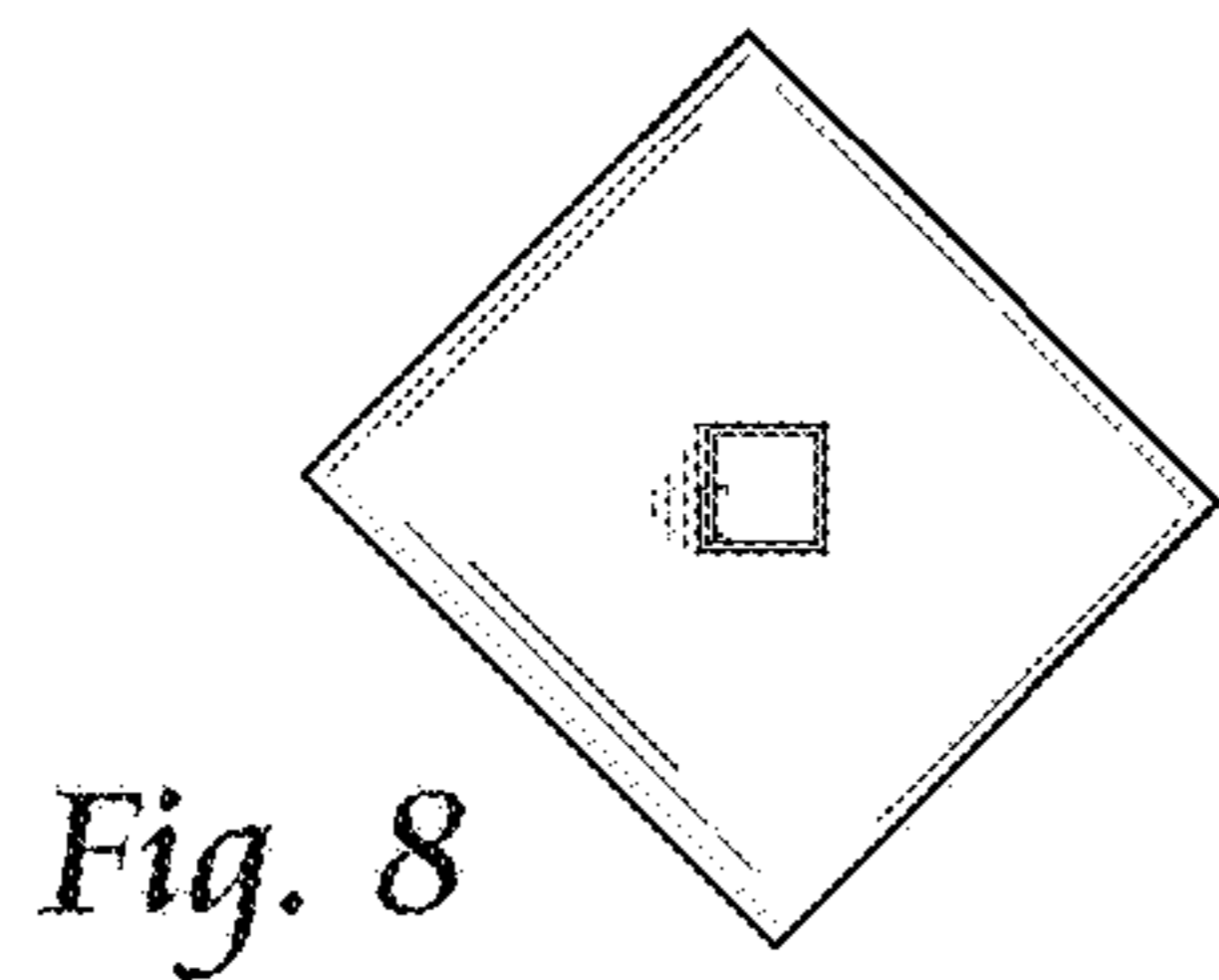
*Fig. 5*



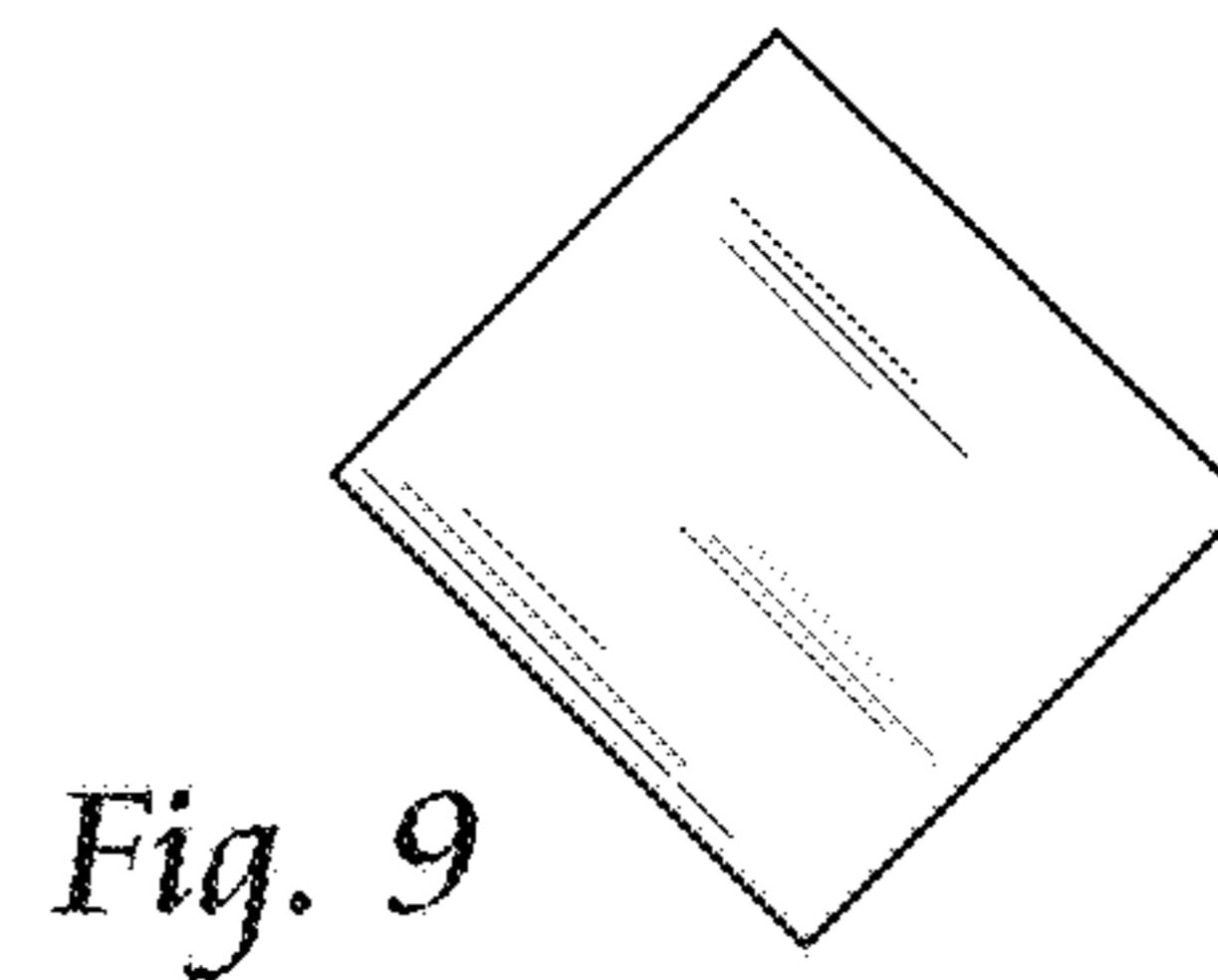
*Fig. 6*



*Fig. 7*

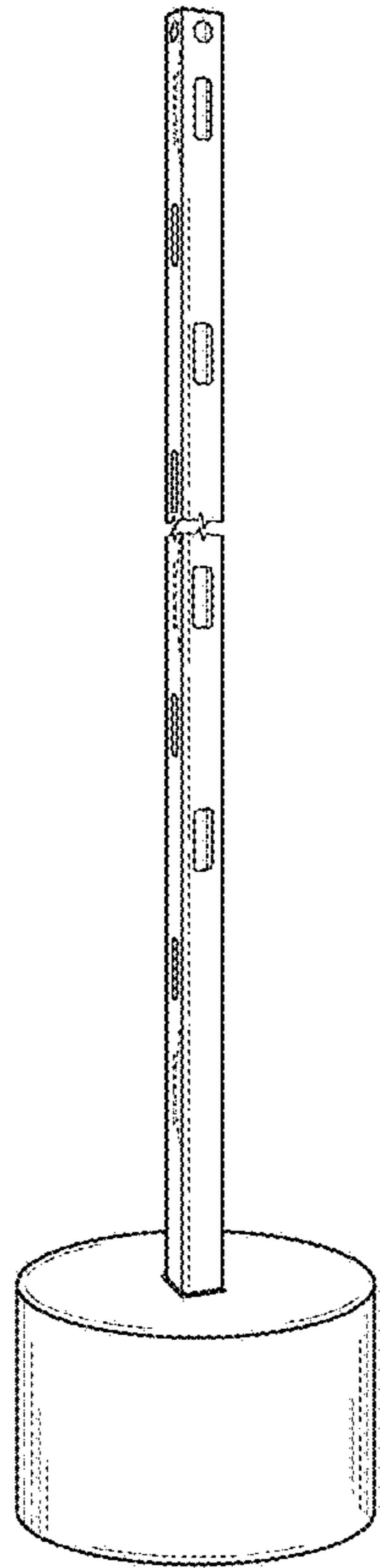


*Fig. 8*

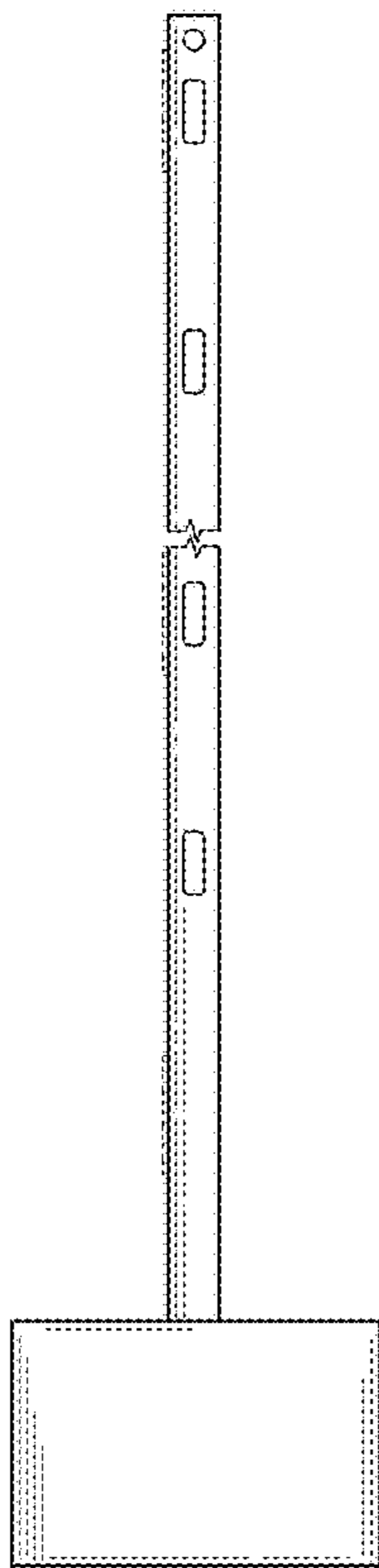


*Fig. 9*

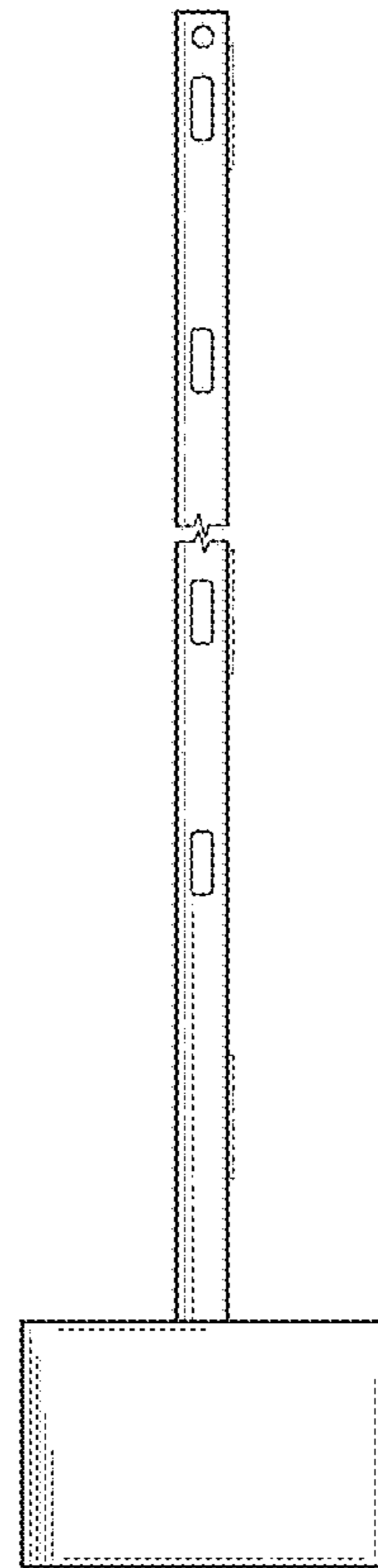




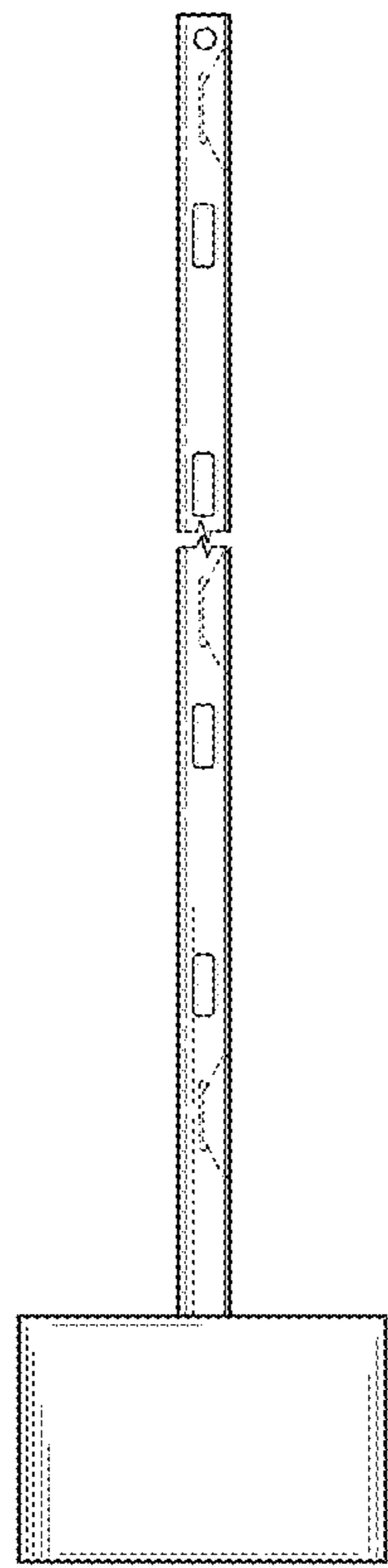
*Fig. 10*



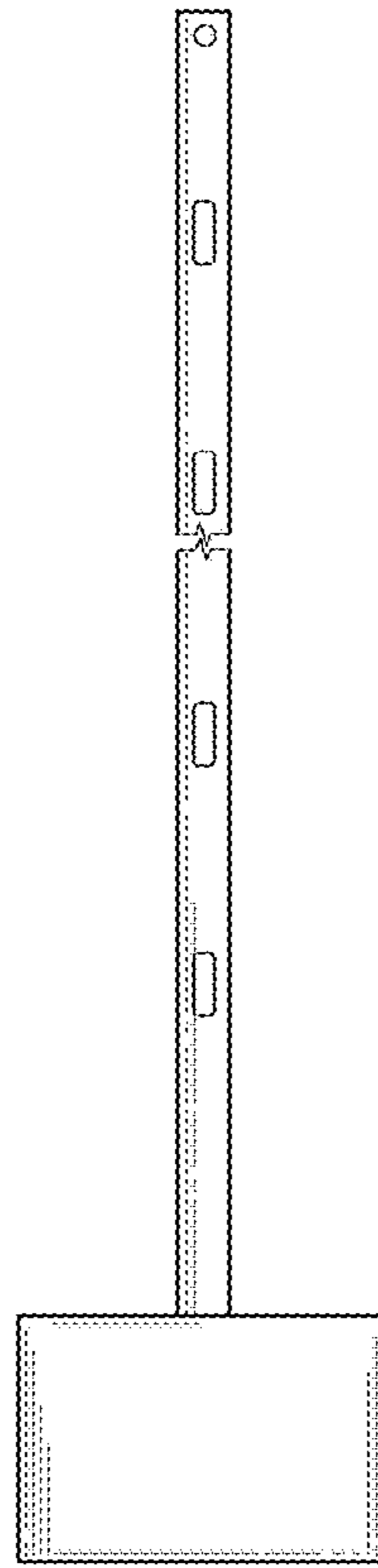
*Fig. 11*



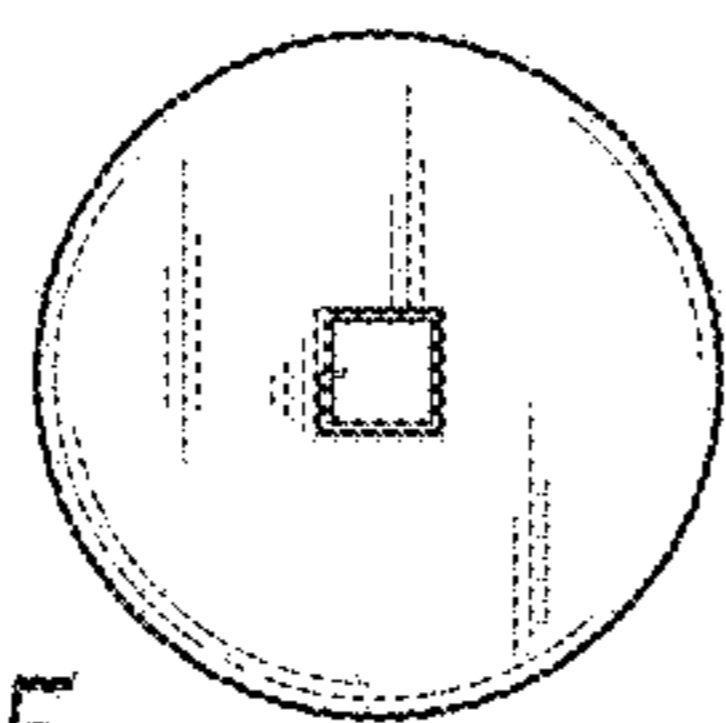
*Fig. 12*



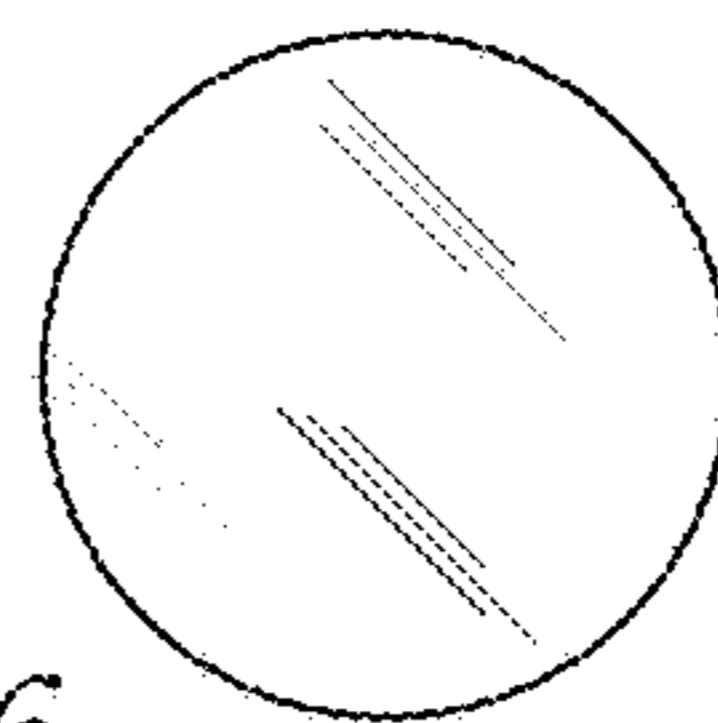
*Fig. 13*



*Fig. 14*



*Fig. 15*



*Fig. 16*