



US00D860691S

(12) **United States Design Patent** (10) **Patent No.:** **US D860,691 S**
Felsenthal et al. (45) **Date of Patent:** **** Sep. 24, 2019**

- (54) **WIRE SHELVING**
- (71) Applicant: **Whitmor, Inc.**, Southaven, MS (US)
- (72) Inventors: **Sandy Felsenthal**, Memphis, TN (US);
Gil Gaska, Germantown, TN (US)
- (73) Assignee: **Whitmor, Inc.**, Southaven, MS (US)
- (**) Term: **15 Years**
- (21) Appl. No.: **29/648,386**
- (22) Filed: **May 21, 2018**
- (51) **LOC (12) Cl.** **06-06**
- (52) **U.S. Cl.**
USPC **D6/675.2**
- (58) **Field of Classification Search**
USPC D6/672, 675, 675.1, 675.2, 675.3, 675.4,
D6/675.5
CPC A47F 45/00; A47F 55/00; A47F 55/02;
A47F 5/00; A47F 5/0006; A47F 5/01
See application file for complete search history.

- D528,342 S * 9/2006 Yu D6/630
7,624,900 B2 * 12/2009 McLaughlin A47G 25/32
223/85
D627,180 S * 11/2010 McCombs D6/705.6
8,701,901 B2 * 4/2014 Gregory A47B 43/006
108/149
D756,145 S * 5/2016 Davis D6/513
9,423,181 B2 * 8/2016 Jacques D06F 57/06
9,706,836 B1 * 7/2017 Nelson A47B 57/06
10,172,451 B2 * 1/2019 Mahugo-Lopez ... A47B 43/006
D842,012 S * 3/2019 Yang D6/675.2

* cited by examiner

Primary Examiner — Kelley A Donnelly
(74) *Attorney, Agent, or Firm* — Stites & Harbison
PLLC; Richard S. Myers, Jr.

(57) **CLAIM**

The design for wire shelving, as shown and described.

DESCRIPTION

FIG. 1 is a front perspective view of the design of the wire shelving of the present invention;
FIG. 2 is a top plan view of the wire shelving embodiment shown in FIG. 1;
FIG. 3 is a bottom plan view of the wire shelving embodiment shown in FIG. 1.
FIG. 4 is a front elevation view of the wire shelving embodiment shown in FIG. 1;
FIG. 5 is a side elevation view of the wire shelving embodiment shown in FIG. 1;
FIG. 6 is a rear elevation view of the wire shelving embodiment shown in FIG. 1; and,
FIG. 7 is a side elevation view of the wire shelving embodiment shown in FIG. 1.

1 Claim, 6 Drawing Sheets

(56) **References Cited**

U.S. PATENT DOCUMENTS

- 4,295,432 A * 10/1981 Hulke A47B 43/006
108/149
D295,472 S * 5/1988 Remmers D6/675.2
D321,609 S * 11/1991 Dardashti D6/675.2
D322,726 S * 12/1991 Rademacher D6/675.2
D367,375 S * 2/1996 Vukelich, Sr. D6/405
D368,186 S * 3/1996 Tiemann D32/59
5,542,530 A * 8/1996 Frelander A47B 43/003
108/106
D492,155 S * 6/2004 Todd D6/630
D501,737 S * 2/2005 Clucas D6/675.2

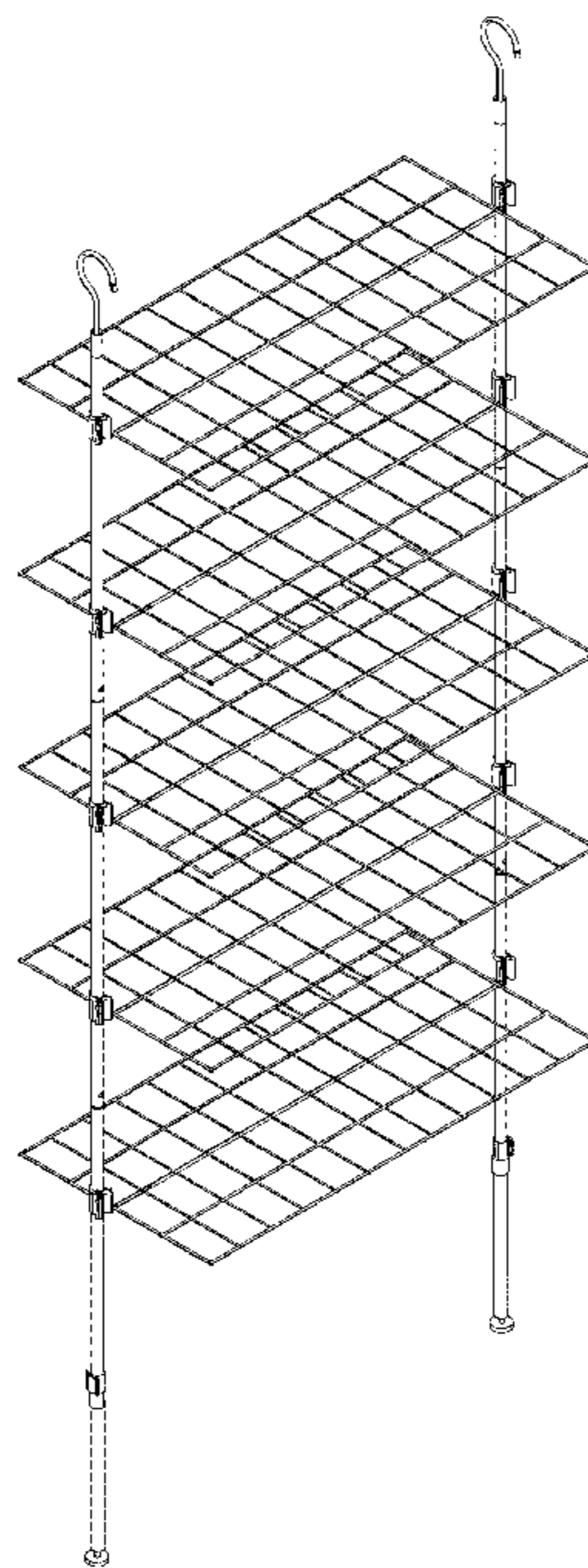


FIG. 1

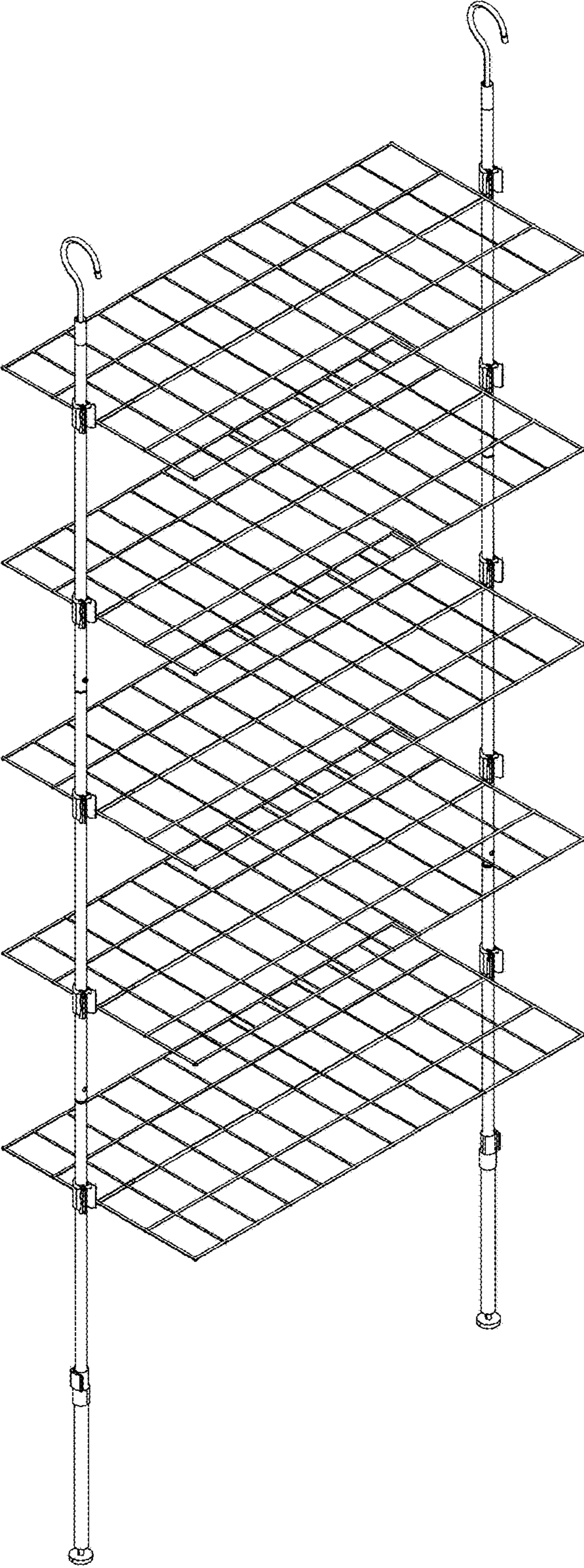


FIG. 2

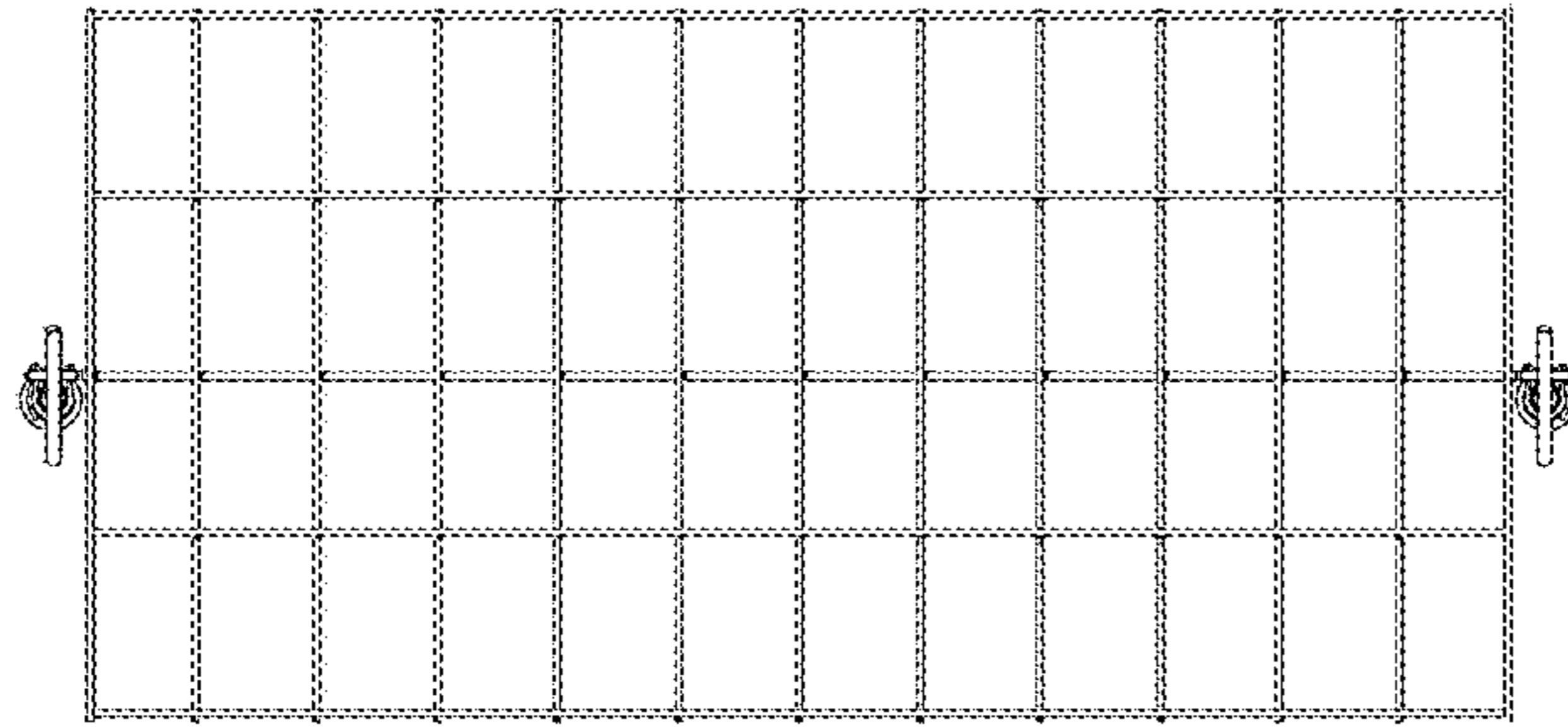


FIG. 3

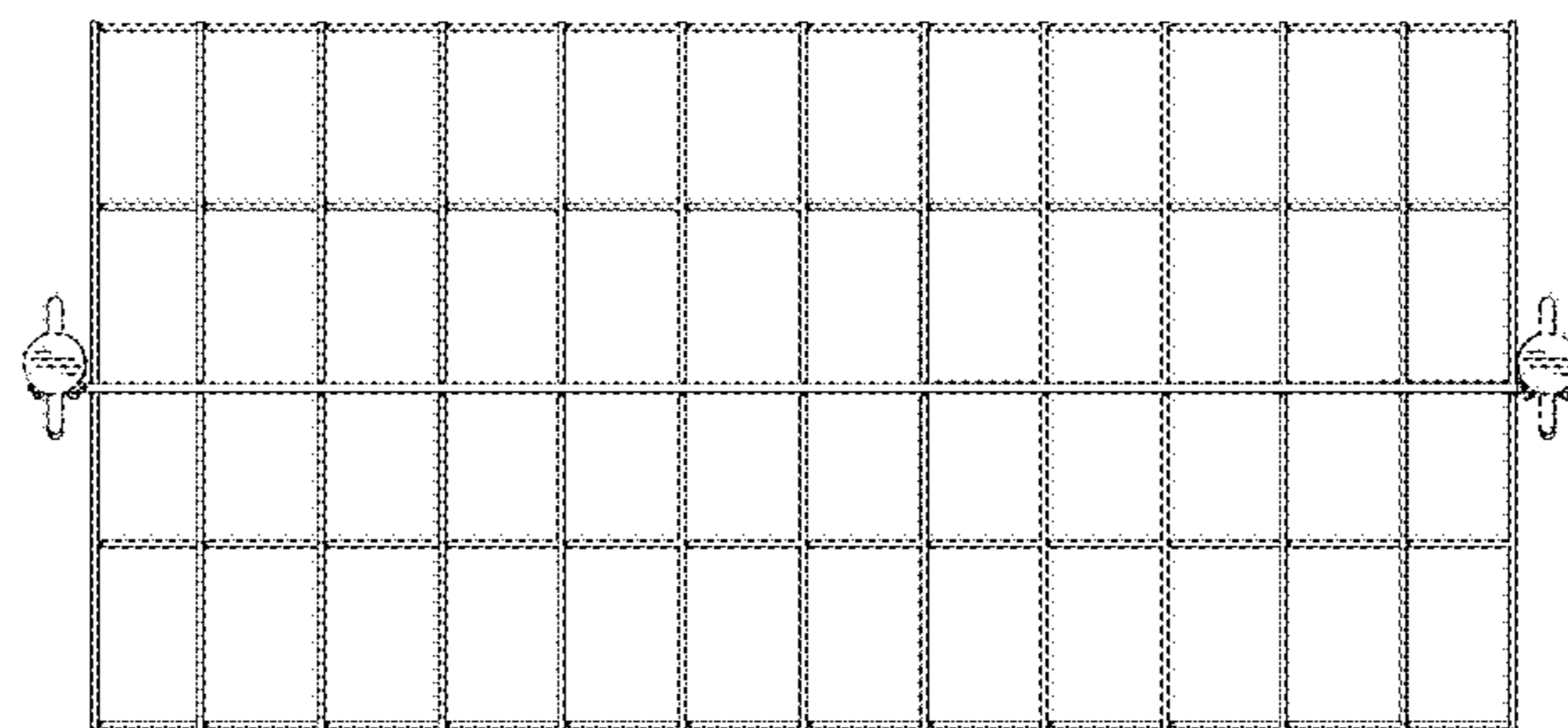


FIG. 4

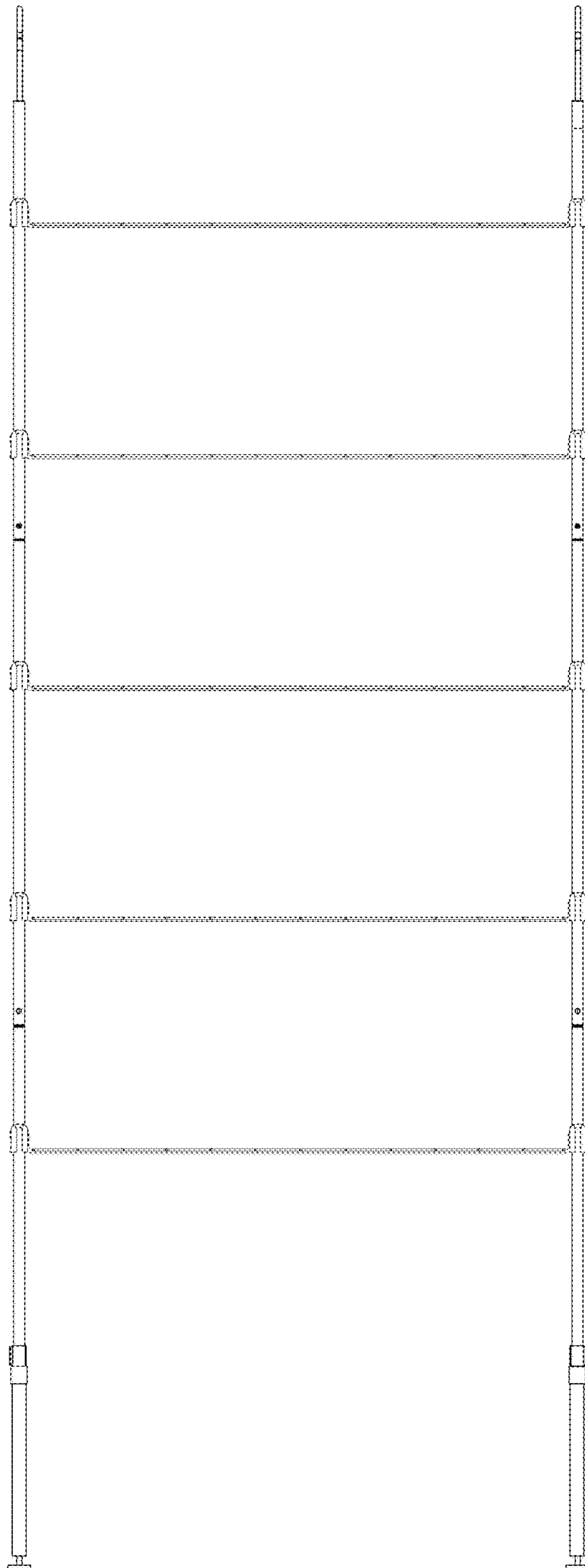


FIG. 5

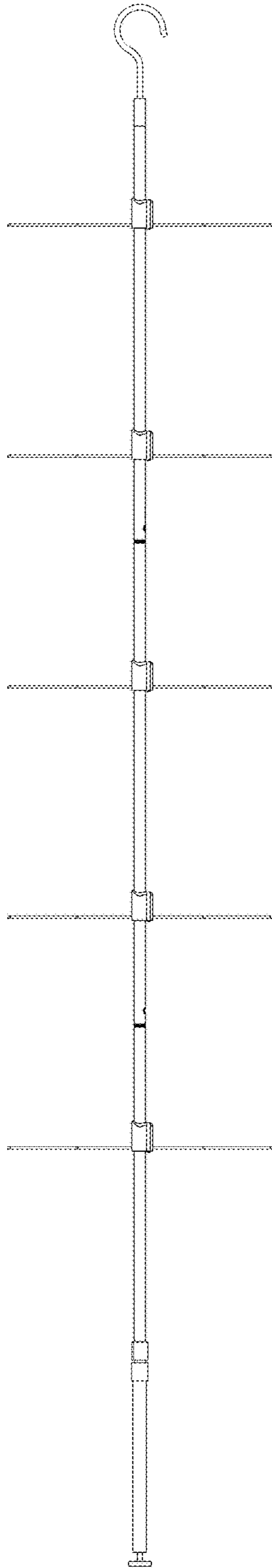


FIG. 6

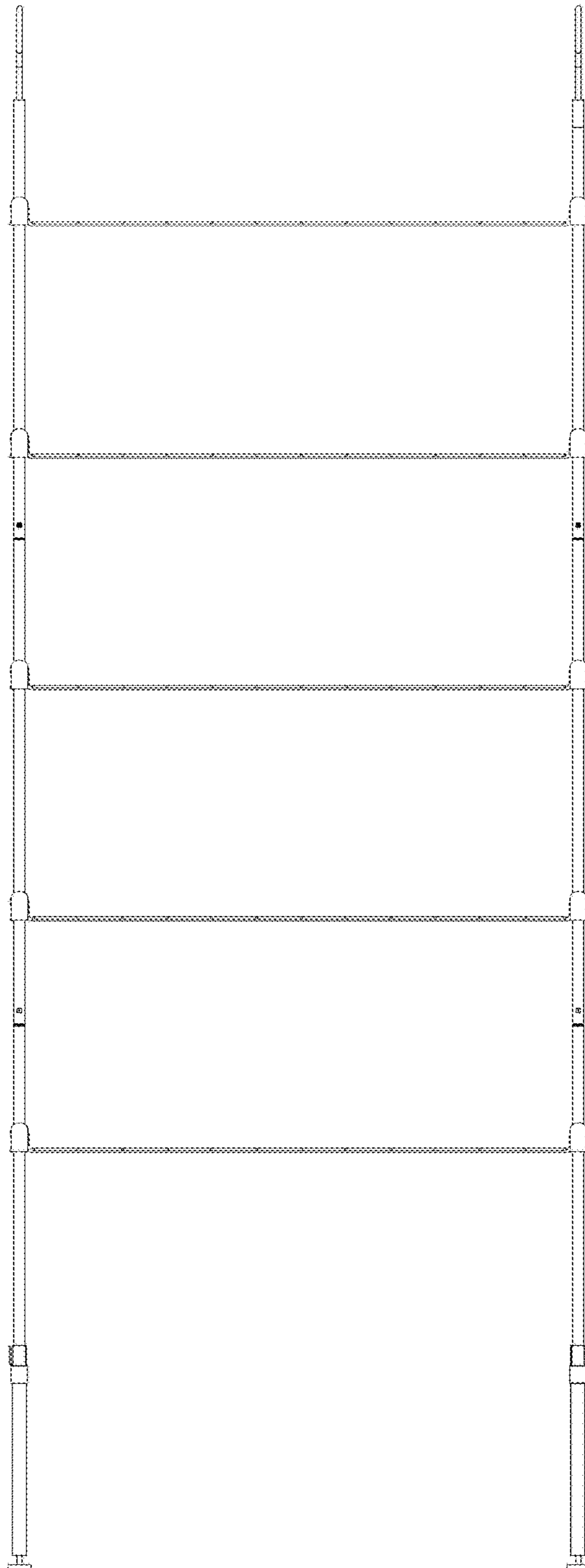


FIG. 7

